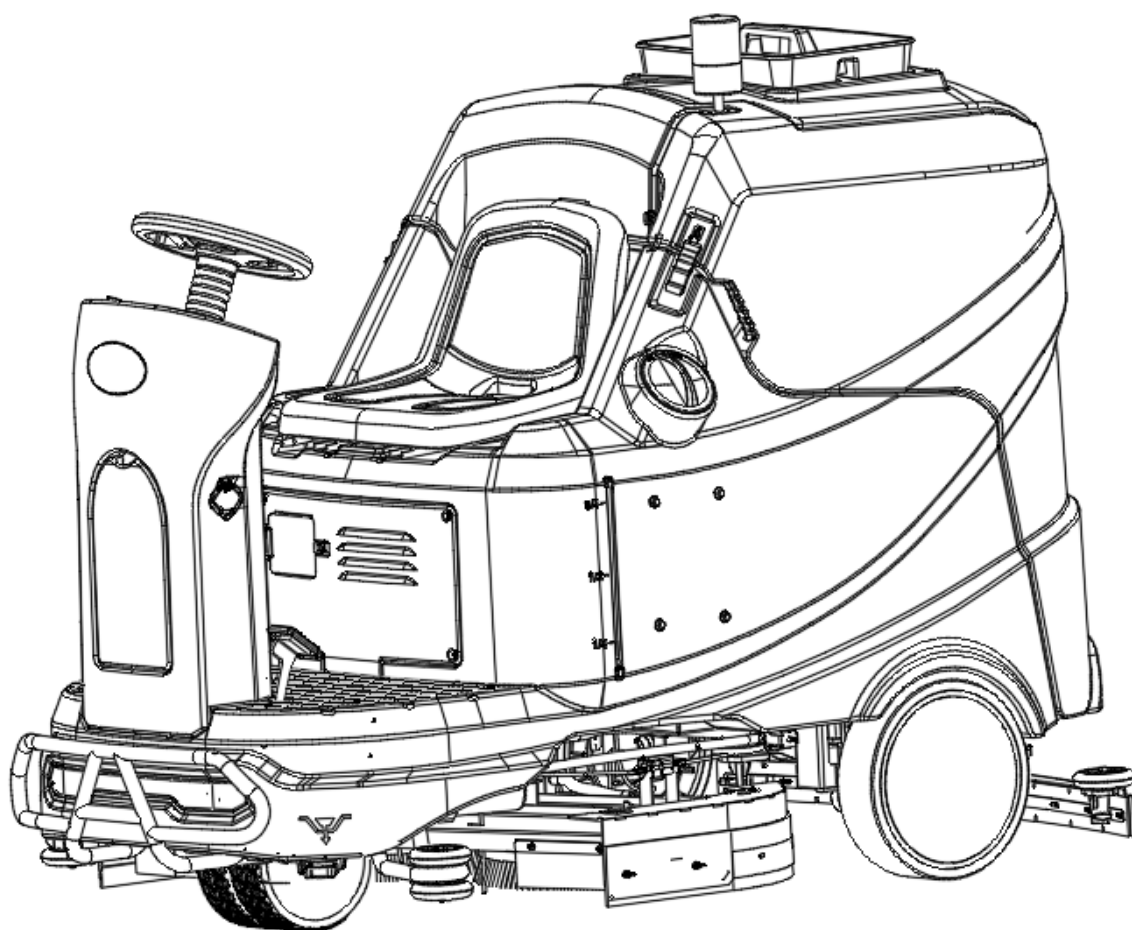


AS1050R

QUICK START GUIDE



Model No.: 50000594/50000596

VR41002 Rev. 03 JUL 2021

Original instructions

VIPER



EU / UE / EL / EC / EE / ES / EÚ / AB

Declaration of Conformity

Prohlášení o shodě
Konformitätserklärung
Overensstemmelseserklæring
Declaración de conformidad
Vastavusdeklaratsioon
Déclaration de conformité
Vaatimustenmukaisuusvakuutus

Декларация за съответствие
Δήλωση συμμόρφωσης
Megfelelősségi nyilatkozat
Izjava o skladnosti
Dichiarazione di conformità
Atitikties deklaracija
Atbilstības deklarācija
Samsvarserklæring
Conformiteitsverklaring

Declaração de conformidade
Deklaracija zgodności
Declaratie de conformitate
Декларация о соответствии
Försäkran om
överensstämmelse
Vyhlášení o zhode
Izjava o skladnosti
Uygunluk beyanı

Manufacturer / Výrobce / Hersteller / Fabrikant /
Fabricante / Κατασκευαστής / Gyártó / Proizvođač /
Fabbicante / Gamintojas / Ražotājs / Producent / Fabrikant
/ Fabricante / Producent / Producător / производитель /
Tillverkaren / Výrobca / Proizvajalec / Üretici firma:

**Nilfisk A/S, Kornmarksvej 1
DK-2605 Broendby, DENMARK**

Product / Produkt / Producto, Toode, Produit, Tuote/
Продукт / Προϊόν / Termék / Proizvod / Prodotto /
Produktas / Produkts / Artikel / Produtos / Produis / Izdelek
/ Ürün

AS1050R, AS1050R+

Description / Popis / Beschreibung / Beskrivelse /
Descripción / Kirjeldus / La description / Kuvaus / Описание
/ Περιγραφή / Leirás / Opis / Descrizione / Aprašymas /
Apraksts / Beschrijving / Descrição / Descriere / Beskrivning
/ Popis / Açıklama

**FC - Floor Scrubber/Sweeper - Battery
36V DC, IP24**



We, Nilfisk hereby declare under our sole responsibility, that the above-mentioned product(s) is/are in conformity with the following directives and standards.



Mes, „ Nilfisk“, prisiimdami visišką atsakomybę pareiškiame, kad pirmiau minėtas produktas (-ai) atitinka šias direktyvas ir standartus



My, Nilfisk prohlašujeme na svou výlučnou odpovědnost, že výše uvedený výrobek je ve shodě s následujícími směrnici a normami.



Mēs, Nilfisk, ar pilnu atbildību apliecinām, ka iepriekšminētais produkts atbilst šādām direktīvām un standartiem



Wir, Nilfisk erklären in alleiniger Verantwortung, dass das oben genannte Produkt den folgenden Richtlinien und Normen entspricht.



Vi, Nilfisk erklærer herved under eget ansvar, at det ovennevnte produktet er i samsvar med følgende direktiver og standarder



Vi, Nilfisk erklærer hermed under eget ansvar at ovennævnte produkt(er) er i overensstemmelse med følgende direktiver og standarder.



We verklaren Nilfisk hierbij op eigen verantwoordelijkheid, dat het bovengenoemde product voldoet aan de volgende richtlijnen en normen



Nosotros, Nilfisk declaramos bajo nuestra única responsabilidad que el producto antes mencionado está en conformidad con las siguientes directivas y normas



Nós, a Nilfisk declaramos, sob nossa exclusiva responsabilidade, que o produto acima mencionado está em conformidade com as diretrizes e normas a seguir

ET

Meie, Nilfisk Käesolevaga kinnitame ja kanname ainuisikulist vastutust, et eespool nimetatud toode on kooskõlas järgmiste direktiivide ja

FR

Nilfisk déclare sous notre seule responsabilité que le produit mentionné ci-dessus est conforme aux directives et normes suivantes.

FI

Me, Nilfisk täten vakuutamme omalla vastuulla, että edellä mainittu tuote on yhdenmukainen seuraavien direktiivien ja standardien mukaisesti

BG

Ние, Nilfisk С настоящото декларираме на своя лична отговорност, че посочените по-горе продуктът е в съответствие със следните директиви и стандарти.

EL

Εμείς, Nilfisk δηλώνουμε με αποκλειστική μας ευθύνη, ότι το προαναφερόμενο προϊόν συμμορφώνεται με τις ακόλουθες οδηγίες και πρότυπα.

HU

Mi, Nilfisk Kijelentjük, egyedüli felelősséggel, hogy a fent említett termék megfelel az alábbi irányelveknek és szabványoknak

HR

Mi, Nilfisk Izjavljujemo pod punom odgovornošću, da gore navedeni proizvod u skladu sa sljedećim direktivama i standardima.

IT

Noi, Nilfisk dichiara sotto la propria responsabilità, che il prodotto di cui sopra è conforme alle seguenti direttive e norme.

PL

My, Nilfisk Niniejszym oświadczamy z pełną odpowiedzialnością, że wyżej wymieniony produkt jest zgodny z następującymi dyrektywami i normami..

RO

Noi, Nilfisk Prin prezenta declarăm pe propria răspundere, că produsul mai sus menționat este în conformitate cu următoarele standarde și directive

RU

Ми, Нилфиск овим изјављујем под пуном одговорношћу, да наведеног производ је у складу са следећим директивама и стандардима

SV

Vi Nilfisk förklarar härmed under eget ansvar att ovan nämnda produkt överensstämmer med följande direktiv och normer.

SK

My, Nilfisk prehlasujeme na svoju výlučnú zodpovednosť, že vyššie uvedený výrobok je v zhode s nasledujúcimi smernicami a normami.

SL

Mi, Nilfisk izjavljamo s polno odgovornostjo, da je zgoraj omenjeni izdelek v skladu z naslednjimi smernicami in standardi.

TR

Nilfisk, burada yer alan tüm sorumluluklarımıza göre, yukarıda belirtilen ürünün aşağıdaki direktifler ve standartlara uygun olduğunu beyan ederiz.

2006/42/EC

EN 60335-1:2012+A11:2014+A13:2017
EN 60335-2-72:2012

2014/30/EU

EN 55014-1:2017
EN 61000-6-2:2019

Authorized
signatory:

Pierre Mikaelsson, Executive Vice President, Global Products & Services,
Nilfisk NLT

Oct 27, 2020





UK Declaration of Conformity

We,
Nilfisk Ltd
Nilfisk House, Bowerbank Way Gilwilly Industrial Estate
Penrith Cumbria
CA11 9BQ UK

Hereby declare under our sole responsibility that the

Product: FC - Floor Scrubber/Sweeper - Battery
Description: 36V DC, IP24
Type: AS1050R, AS1050R+

Is in compliance with the following standards:

EN 60335-1:2012+A11:2014+A13:2017
EN 60335-2-72:2012
EN 55014-1:2017
EN 61000-6-2:2019

Following the provisions of:

Supply of Machinery (Safety) Regulations 2008/1597
Electromagnetic Compatibility Regulations 2016/1091

Penrith, 8-4-2021

A handwritten signature in black ink, appearing to read "Stewart Dennett". The signature is written in a cursive style with a long, sweeping underline.

Stewart Dennett
GM/MD

TABLE OF CONTENTS

ENGLISH	QUICK START GUIDE	1-14
БЪЛГАРСКИ	КРАТКО РЪКОВОДСТВО	15-28
ČESKY	RYCHLÁ PŘÍRUČKA	29-42
DEUTSCH	SCHNELLSTARTANLEITUNG	43-56
DANSK	LYNVEJLEDNING TIL HURTIG OPSTART	57-70
ΕΛΛΗΝΙΚΑ	ΟΔΗΓΟΣ ΓΡΗΓΟΡΗΣ ΕΚΚΙΝΗΣΗΣ	71-84
ESPAÑOL	GUÍA RÁPIDA DE UTILIZACIÓN	85-98
EESTI	KIIRJUHEND	99-112
SUOMI	PIKAKÄYNNISTYSOPAS	113-126
FRANÇAIS	GUIDE DE DÉMARRAGE RAPIDE	127-140
HRVATSKI	PRIRUČNIK ZA BRZI POČETAK RADA.....	141-154
MAGYAR	GYORS ÜZEMBE HELYEZÉSI ÚTMUTATÓ.....	155-168
ITALIANO	GUIDA RAPIDA ALL'USO	169-182
LIETUVIŠKAI	GREITOJO PALEIDIMO VADOVAS	183-196
LATVIEŠU VALODA	PAMATA LIETOŠANAS INSTRUKCIJA	197-210
NEDERLANDS	SNELSTARTGIDS.....	211-224
NORSK	HURTIGSTARTVEILEDNING	225-238
POLSKI	SKRÓCONA INSTRUKCJA URUCHAMIANIA	239-252
PORTUGUÊS	GUIA DE INÍCIO RÁPIDO	253-266
ROMÂNĂ	GHID PENTRU PORNIRE RAPIDĂ.....	267-280
РУССКИЙ	РУКОВОДСТВО ПО НАЧАЛУ РАБОТЫ.....	281-294
SLOVENSKY	PRÍRUČKA SO STRUČNÝM NÁVODOM.....	295-308
SLOVENŠČINA	HITRI VODIČ.....	309-322
SVENSK	SNABBSTARTSGUIDE	323-336
TÜRKÇE	HIZLI BAŞLANGIÇ KILAVUZU.....	337-352

INTRODUCTION



CAUTION!

Some general and detailed machine information is not included in this guide. Please refer to QUICK START GUIDE Manual on supplied CD-ROM reading by Adobe® Reader®.



NOTE

The numbers in brackets refer to the components shown in Machine Description chapter.

GUIDE PURPOSE AND CONTENTS

The purpose of this instruction for use is to provide the operator with all basic information and technical characteristics, operation, machine inactivity, spare parts and safety conditions etc.

Before performing any procedure on the machine, the operators and qualified technicians must read the Instruction for Use manual. Contact our company in case of doubts concerning the interpretation of the instructions or for any further information.

HOW TO KEEP THIS INSTRUCTION FOR USE

The instruction for use must be kept near the machine, inside an adequate case, away from liquids and other substances that can cause any damage to it.

DECLARATION OF CONFORMITY

Declaration of Conformity is supplied with the machine and certifies machine conformity with the law in force.



NOTE

The copies of the original declaration of conformity are provided together with the machine documentation.

ACCESSORIES AND MAINTENANCE

All the necessary operation, maintenance and repair procedures must be made by qualified personnel, our company appointed repair center. ONLY original or approved spare parts and accessories can be used.

Contact our company customer service for any service or purchase of accessories or spare parts if necessary.

CHANGE AND IMPROVEMENT

We are committed to continuous improvement of our products, and the company reserves the right to machine changes and improvements without additional information.

SCOPE OF APPLICATION

The scrubber applies to commercial and industrial use. It is suitable for cleaning smooth and solid floor, operating by a qualified person in safe circumstances. It is not suitable for outdoor use or on carpet or rough floor cleaning.

MACHINE IDENTIFICATION DATA

The machine serial number and model name are marked on the serial label.

This information is useful. Use the following table to write down the machine identification data when requiring spare parts for the machine.

MACHINE MODEL.....
MACHINE SERIAL NUMBER.....

TRANSPORT AND UNPACKING

When the carrier delivers the machine, make sure the packaging and machine are both whole and undamaged. If any damage is observed, inform the carrier of the damage before accepting the goods, to reserve the right to compensation for the damage.

Follow the instructions on packaging strictly when unpacking the machine.

Check the package to ensure following items are included:

1. Technical documentation - Instruction for use.
2. Battery connection components.
3. Electronic battery charger manual (if installed) (*)

SAFETY

The following symbols indicate potentially dangerous situations. Always read this information carefully and take all necessary precautions to safeguard people and property.

VISIBLE SYMBOLS ON THE MACHINE



WARNING!

Read all the instructions carefully before performing any operation on the machine.



WARNING!

Do not wash the machine with direct or pressurized water jets.



WARNING!

Do not use the machine to work on slopes with a gradient exceeding that is defined in the specifications section.

SYMBOLS THAT APPEAR ON THE INSTRUCTION FOR USE



DANGER!

It indicates a dangerous situation with risk of death for the operator.



WARNING!

It indicates a potential risk of injury for people.



CAUTION!

It indicates a caution, or a remark related to important or useful functions. Pay attention to the paragraphs marked by this symbol.



NOTE

It indicates a remark related to important or useful functions.



CONSULTATION

It indicates the necessity to refer to the Instruction for Use manual before performing any procedure.

GENERAL SAFETY INSTRUCTION

Specific warnings and cautions to inform about potential damages to people and machine are shown below.

**DANGER!**

- This machine must be operated by trained and authorized personnel according to guidance of the manual.
- Before performing any cleaning, maintenance, repair or replacement procedure, read all the instructions carefully, ensure to turn the machine OFF and disconnect the battery connector.
- Do not operate the machine near toxic, dangerous, flammable and/or explosive powders, liquids or vapor. This machine is not suitable for collecting dangerous powders.
- Do not wear jewelry when working near electrical components.
- Do not work under the lifted machine without supporting it with safety stands.
- When using lead (WET) batteries, they may emit inflammable gas under normal use, you must keep sparks, flames, smoking materials and radiating, illuminating and burning items away from the batteries.
- When charging lead (WET) batteries, they may emit hydrogen gas which may cause explosive. You must ensure the charging environment is well ventilated and away from flames.

**WARNING!**

- This machine is intended for **COMMERCIAL USE**, for example in hotels, schools, hospitals, factories, shops, offices and rental businesses.
- Machines left unattended shall be secured against unintentional movement.
- In order to prevent unauthorized use of the machine, the power source shall be switched off or locked, for example by removing the key of the main switch or the ignition key.
- Check the machine carefully before each use. Ensure that all the components have been well assembled before use. Loose components may cause damage to people and properties.
- Never move the machine by pulling the battery charger cable. Do not pass the cable through a closed door or wind the cable around sharp edges or corners. Do not run the machine over the battery charger cable. Keep the battery charger cable away from heated surfaces.
- Do not charge the batteries if the battery charger cable or the plug are damaged.
- To reduce the risk of fire, electric shock, or injury, make sure machine is off before leaving.
- Use or store the machine indoors in dry conditions, it is not allowed for outdoor use.
- The machine storage and working temperature must be between 0 °C and +40 °C, the humidity of air must be between 30% - 95%.
- Do not use the machine on slopes with a gradient exceeding the specifications shown.
- When using and handling floor cleaning detergents, follow the instructions on the labels of the detergent bottles and wear suitable gloves and other protective devices.
- Use brushes and pads supplied with the machine or defined in the manual. Using other brushes or pads could reduce safety.
- In case of machine malfunctions, ensure that these are not due to lack of maintenance. If necessary, request assistance from the authorized personnel or from an authorized Service Center.
- Take all necessary precautions to prevent hair, jewelry, and loose clothes from being caught by the machine moving parts.
- Do not use the machine in particularly dusty areas.

- Do not wash the machine with direct or pressured water jets, or with corrosive substances.
- Do not bump into shelves or scaffoldings, especially where there is a risk of falling objects.
- Do not lean liquid containers on the machine, use the relevant can holder.
- To avoid damaging the floor, do not allow the brush/pad to operate while the machine is stationary.
- In case of fire, use a dry powder fire extinguisher. Do not use liquid fire extinguishers.
- Do not remove or modify the machine labels.
- Do not tamper with the machine safety guards and follow the scheduled maintenance instructions closely.
- Pay attention during machine transportation when temperature is below freezing point. The water in the recovery tank and in the hoses could freeze and cause serious damage to the machine.
- If spare parts need be replaced, order ORIGINAL spare parts from an Authorized Dealers or Retailers.
- Return the machine to the Service Center if it doesn't work as usual or it is damaged.
- To ensure machine proper and safe operation, the scheduled maintenance shown in the relevant chapter of this Manual, must be performed by the authorized personnel or an authorized Dealers or Retailers.
- The machine must be properly disposed of, due to the presence of toxic-harmful materials (batteries, etc.), which are subject to standards that require disposal in special centers (see Scrapping chapter).
- This machine is a cleaning tool only and is not intended for any other purpose.
- Always keep the openings free from dust, hairs and any other foreign material which could reduce the air flow. Do not use the machine if the openings are clogged.
- Use the machine only where proper lighting is provided.
- This machine is not intended for use by persons (including children) with reduced physical, sensory or mental capabilities, or lack of experience and knowledge.
- Close attention is necessary when used near children.
- Children should be supervised to ensure that they do not play with the machine.
- While using this machine, take care not to cause damage to people or objects.
- Cleaning and user maintenance shall not be made by children without supervision.
- Operators shall be adequately instructed on the use of these machines.
- Do not use the machine without a falling object protective structure (FOPS) in areas where it is likely that the operator is hit by falling objects.

MACHINE DESCRIPTION

MACHINE STRUCTURE* - optional

1. Steering wheel
2. Seat, adjustable (with safety switch)
3. Warning light
4. Utility caddy (*)
5. Recovery tank lid
6. Hook
7. Latch (x2)
8. Recovery tank
9. Filter cover
10. Filter hose holder
11. Filter support
12. Solution tank
13. Water level tube
14. Drive wheels (with mechanical brake)
15. Side splashguards
16. Brush assembly
17. Pump
18. Bumper wheels
19. Solution tank drain cover
20. Front wheels
21. Front lights
22. Solution filter
23. Front bumper
24. Solution shut-off valve

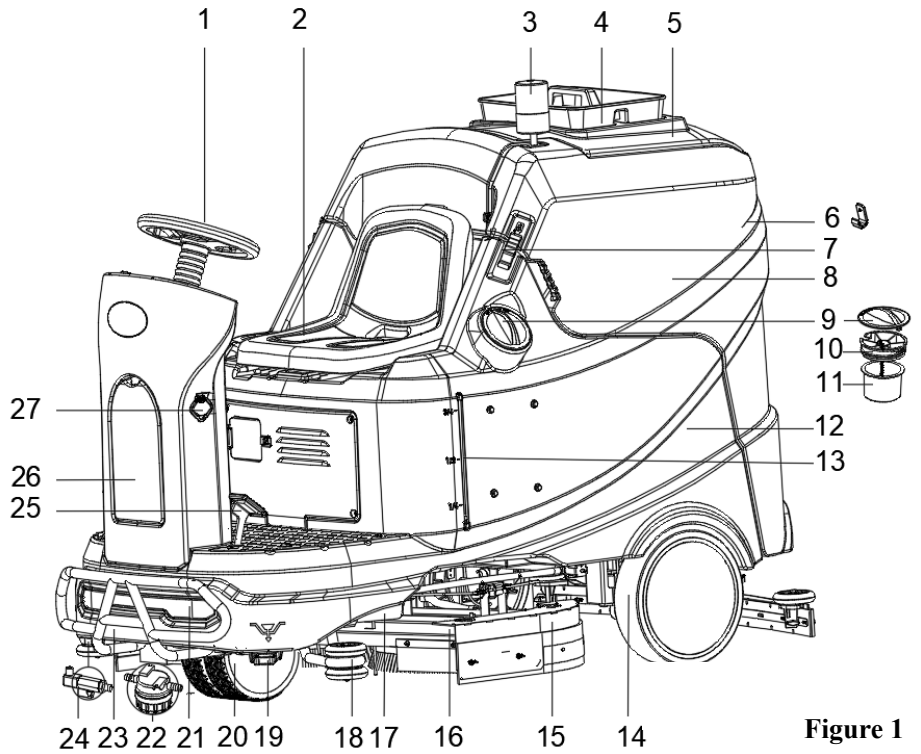


Figure 1

25. Mechanical brake pedal
26. Internal storage cover
27. USB charging port
28. Control panel
29. Emergency switch
30. Cup holder
31. Recovery tank support cable
32. Accelerator pedal
33. Brush/Pad driver installation stop
34. Squeegee knobs
35. Squeegee angle adjusting knob
36. Squeegee vacuum hose
37. Squeegee
38. Recovery water drain hose
39. Squeegee hook
40. Debris collection box
41. Vacuum intake filter
42. Tank cover gasket
43. Batteries (N/A)
44. Battery tray (*)
45. Vacuum system
46. Dual vacuum system (*)

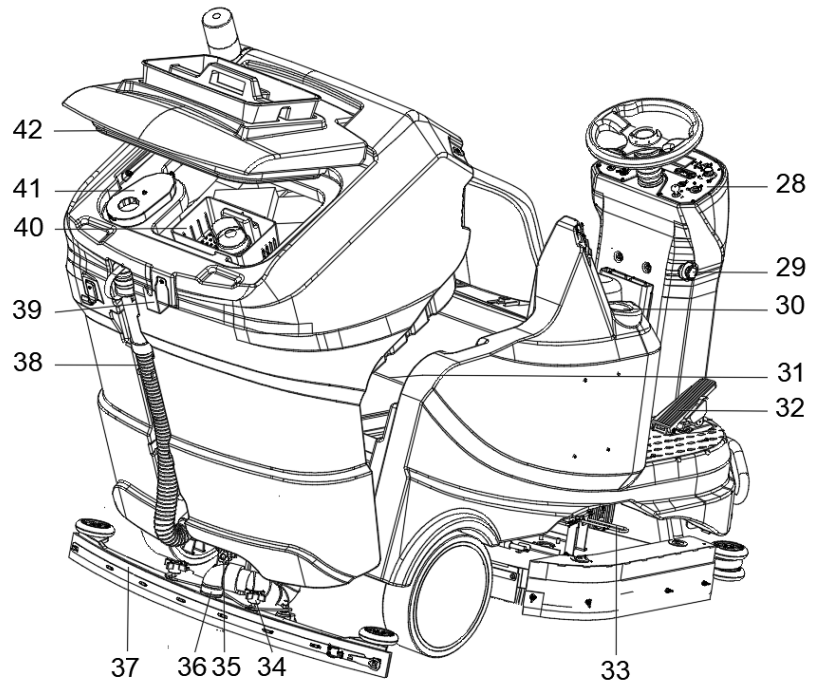
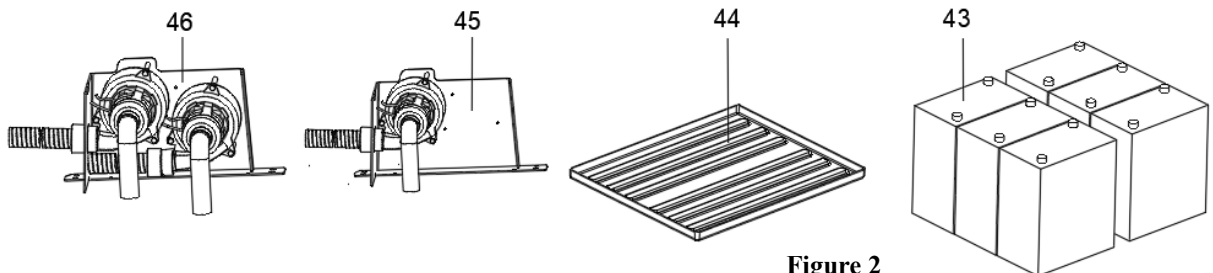


Figure 2



CONTROL PANEL (as shown)

- 47. Multifunction display
 - Items displayed:
 - A) Battery type
 - B) Battery charge level
 - C) Hours worked
 - D) ECO mode
 - E) Vacuum normal mode
 - F) Vacuum silence mode
 - G) Reverse mode
 - H) Extra pressure active
 - I) Detergent solution flow quantity
 - J) Brush work mode
 - K) Vacuum mode
 - L) Seat safety switch off
- 48. Recovery tank full/ solution Tank empty indicator
- 49. Speed adjust knob
- 50. Solution flow adjusting buttons
- 51. One-button start
 - LED on above button-function activated
 - water system (level 2)
 - pressure at minimum (level 1)
 - vacuum system normal
- 52. Forward-reverse button
- 53. Ignition key (0=ON I=OFF)
- 54. Vacuum system adjustment button
 - (press the button 1 second to activate)
 - LED Steady on -normal mode
 - LED Flashing -Silent mode
- 55. ECO mode button
 - LED on above button-function activated
 - water flow at minimum (level 1)
 - pressure at minimum (level 1)
 - Vacuum in silent mode
- 56. Brush/pad-holder click on/off
 - LED Flashing-Click on activated
- 57. Brush pressure adjusting buttons
- 58. Horn button
- 59. Front light button
- 60. Charger plug cover
- 61. Brush motors overload protectors (30A)
- 62. Brush lift overload protector (3A)
- 63. Charger plug
- 64. Main control circuit overload protector (5A)
- 65. Vacuum motor(s) overload protector (30A)
- 66. Squeegee lift overload protector (3A)

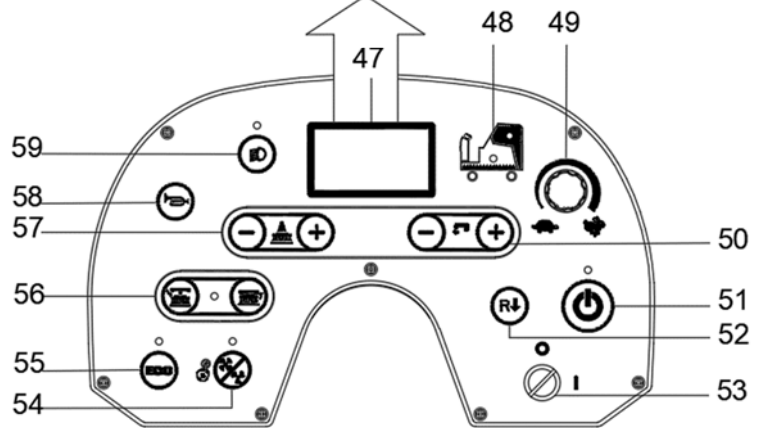
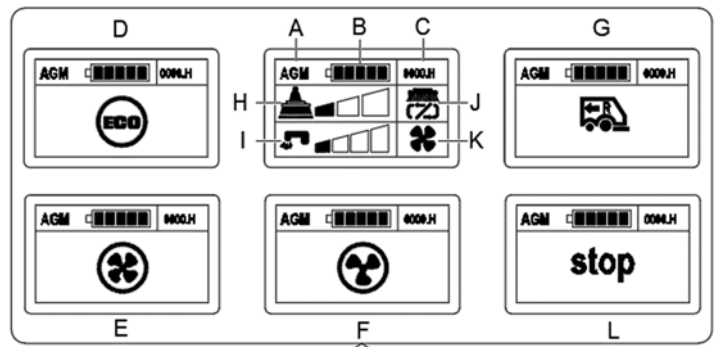


Figure 3

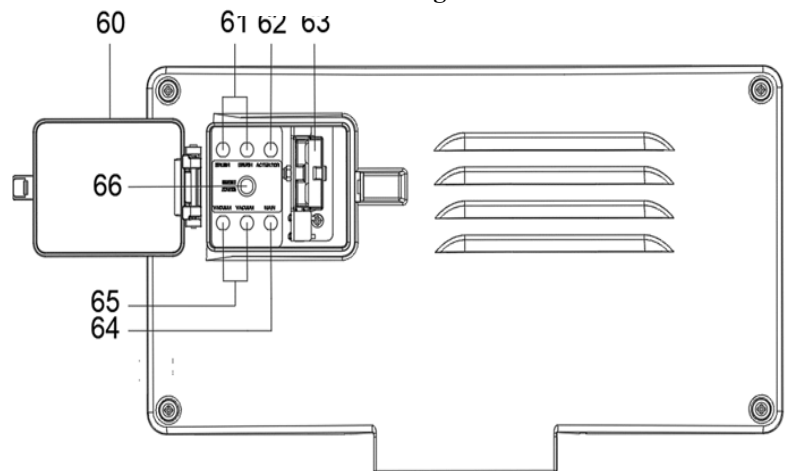


Figure 4

TECHNICAL PARAMETERS

Parameter Type	AS1050R
Voltage	36 V
Rated power (input)	125A/4500W
IP protection class	IP24
Solution tank capacity	200L / 53 Gal.
Recovery tank capacity	200L / 53 Gal.
Scrubbing width	980mm / 35.58 Inches
Brush/Pad diameter	508 mm x 2 /20 Inches x 2
Brush/Pad pressure (max)	90 Kg /198 Lbs.
Brush motor power (input)	2 X 1000 Watt / 2 X 1.5 HP
Brush speed in normal mode	240 RPM
Brush speed in ECO mode	175 RPM
Solution Flow (max) per setting/minute	(1.6/2.3/3.3/4.6) Liters / 0.42/0.61/0.87/1.22Gal
Sound pressure level (one vacuum motor)	72 ± 3 dB (A)
Sound pressure level (two vacuum motors) (*)	75 ± 3 dB (A)
Sound pressure level in ECO mode or in silent mode	69 ± 3 dB (A)
Vacuum motor power	600 W / 0.8 HP
USB charging	5V 2.4A MAX.
Productivity (max)	7840 m ² /h/84389 ft ² /h
Working speed	0 – 8 Km / 0 - 5 Miles per hour
Forward speed	0 – 8 Km / 0 - 5 Miles per hour
Reverse speed	0 – 5 Km / 0 – 3.1 Miles per hour
Drive motor power (input)	1600 W / 2.1 HP
Min. aisle turn	2650mm/104 Inches
Climbing capacity (max) transport	20%
Climbing capacity (max) working	16%
Drive wheel diameter	340mm / 13.4 Inches
Drive wheel specific pressure on the floor	0.68 N/mm ²
Front wheel diameter	250 mm / 10 Inches
Front wheel specific pressure on the floor	0.62 N/mm ²
Handle Vibration Level (max)	< 2.5 m/s ²
Battery Compartment Size without tray (L x W x H)	(680x560x450) mm / 26.7 x 22 x 17.7 Inches
Battery Compartment Size with tray (L x W x H) (*)	(665x550x430) mm / 26.1 x 21.6 x 16.9 Inches
Machine Length without front bumper	1875mm/73.8 Inches
Machine width without squeegee	1077mm/42.4 Inches
Machine Height	1350 mm / 53 Inches
Machine Height (with overhead guard)	1955mm / 77 Inches
Machine weight with empty tanks (without batteries)	398 Kg / 853.6 Lbs.
Gross Vehicle Weight (GVW)	870 Kg / 1914 Lbs.
Gross Vehicle Weight (GVW) (with overhead guard)	897 Kg / 1973 Lbs.
Shipping Weight	490 Kg / 1078 Lbs.
Packing dimensions (L x W x H)	(2110 x 1220 x 1535 mm) / (83x 48 x 60.4 Inches)

(*): Optional

OPERATING GUIDE

**WARNING!**

On some points of the machine there are some adhesive plates indicating:

- DANGER!
- WARNING!
- CAUTION!
- CONSULTATION

While reading this Manual, the operator must pay attention to the symbols shown on the plates. Do not cover these plates for any reason and immediately replace them if damaged.

BATTERY CHECK/SETTING ON A NEW MACHINE

**WARNING!**

The electric components of the machine can be seriously damaged if the batteries are either improperly installed or connected. The batteries must be installed by qualified personnel only. Set the battery type using the procedure below according to the type of batteries used (WET or GEL/AGM/DIS/ENE batteries). Check the batteries for damage before installation. Disconnect the battery connector and the battery charger plug. Handle the batteries with great care. Install the battery terminal protection caps supplied with the machine.

**NOTE**

The machine requires six 6V batteries, connected and installed in the positions shown in Figure 5.

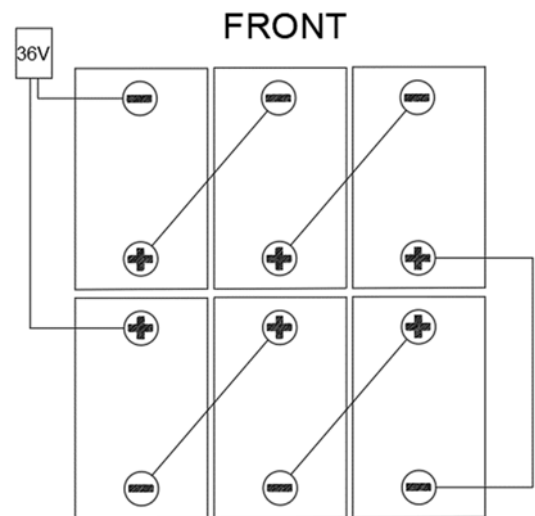


Figure 5

Batteries already installed on the machine

1. Ensure that the battery connector is connected.
2. When first using the machine with new batteries, perform a full charging cycle (see the procedure in Maintenance chapter).

Without batteries

1. Buy appropriate batteries (see “Technical Data” paragraph). For battery choice and installation, contact qualified battery Retailers.
2. Set the battery type setting using the procedure below.

BATTERY INSTALLATION AND BATTERY TYPE SETTING (WET /GEL/ AGM/ DIS/ENE)**Battery installation**

1. Open the left and right latches (7, Figure 1).
2. Open the recovery tank lid (5, Figure 1) and check that the recovery tank (8, Figure 1) is empty; otherwise empty it with the drain hose (38, Figure 2).
3. Close the recovery tank lid (5, Figure 1).
4. Raise the recovery tank (8, Figure 1) carefully.
5. Disconnect the recovery tank cable and remove the whole recovery tank assembly.
6. Remove one screw of the recovery tank turning cable (31, Figure 2) and turn back.
7. Remove recovery tank four screws on the bottom of it.
The machine is supplied with cables suitable to install six 6V batteries. Carefully put the batteries into the compartment, then install them correctly as shown in Figure 5. Put the battery fixed plate correctly.
8. Route and install the battery cable as shown in Figure 5, then carefully tighten the nut on each battery terminal.

9. Place the protective cap on each terminal, then connect the battery connector to machine.
10. Assemble the whole recovery tank assembly in the reverse order of disassembly.
11. Carefully lower the recovery tank.

Battery type setting (WET/GEL/AGM/DIS/ENE)

Access to select battery mode

According to the type of batteries (WET/GEL/AGM/DIS/ENE), set the machine as follows:

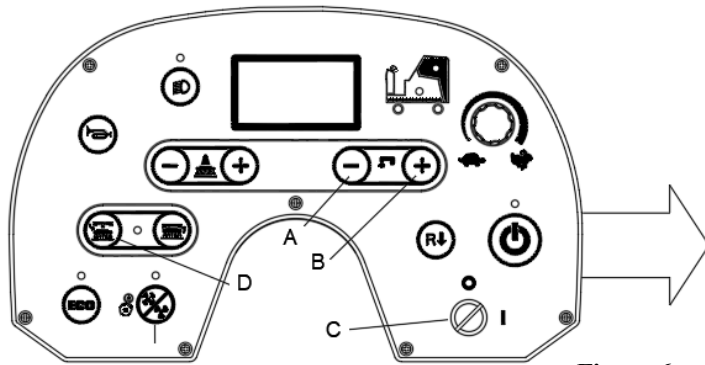
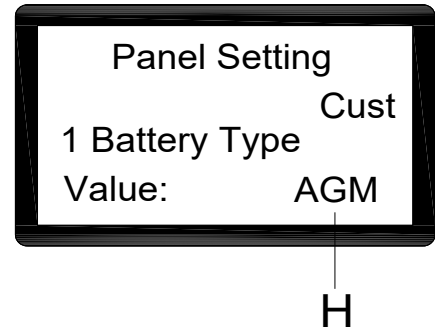


Figure 6

Access to select battery mode



1. Press water flow button "-"(A, Figure 6) and "+"(B, Figure 6) at the same time.
2. Insert the ignition key (C, Figure 6) and turn it to "I".
3. Several seconds later enter to the screen of selecting battery mode (Figure 6).
4. Press water flow button "-"(A, Figure 6) and "+"(B, Figure 6) to select battery mode (H, Figure 6).
5. Press the release button (D, Figure 6), 3 seconds later show " Update OK" means setting succeeds, restart machine. (C, Figure 6).

Battery charging

Fully charge the batteries (see the procedure in Maintenance chapter).

Battery discharge

When the batteries pattern is full (G, Figure 7), the batteries are fully charged. When the batteries pattern is low (H, Figure 7), the batteries must be charged. A few seconds after the low battery pattern shows, the brush motors are automatically turned off, while the drive system stays on. Drive the machine to the appointed recharging area immediately.



Figure 7

BRUSH/PAD-HOLDER INSTALLATION AND REMOVAL



NOTE

Install either the brush (A, Figure 8) or pad-holder (B and C, Figure 8) according to the type of floor to be cleaned.



CAUTION!

Before installation or removal of brush or pad-holder, make sure all the switches on machine are in off position and the squeegee is lifted off the floor. The operator must be equipped with suitable personnel protection devices, such as gloves to reduce the risk of accidents.

Proceed as following:

INSTALLATION:

1. Insert the Ignition key (53, Figure 3) and turn it to "I". Lift the deck.
2. Place brushes (A, Figure 8) or pad-holders (B, Figure 8) under the deck. Use the brush installation stop (D, Figure 8) to help find the proper brush/pad holder position.
3. Install the brush/pad-holder by pressing the Brush/pad-holder click on button (F, Figure 8), the brush/pad-holder will be automatically installed. The rotation direction is shown (Figure 8). The LED indicator light will flash.

REMOVAL:

1. Insert the Ignition key (53, Figure 3) and turn it to "I". Ensure the brush/pad-holder is in the raised (UP) position. Remove the brush/pad-holder by pressing the brush/pad-holder release button (E, Figure 8), the brush/pad-holder will be automatically released. The LED indicator light will be steady on.

If press brush click-off button and press click-on button, you must turn off ignition key then turn on it, machine can work again.

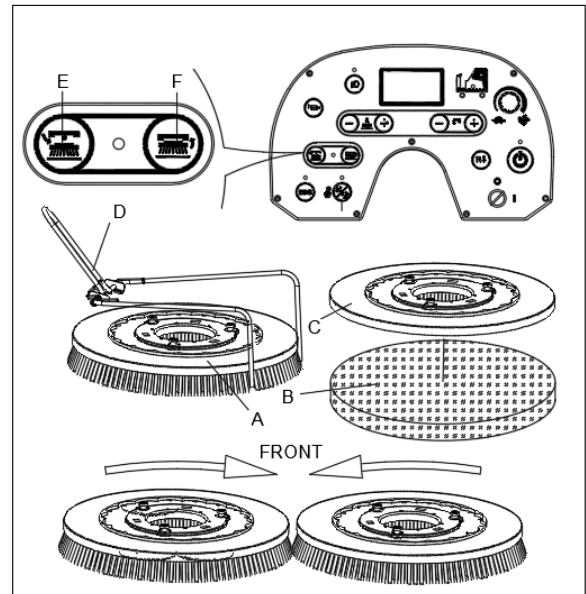


Figure 8

ADJUSTING THE BALANCE OF SIDE SPLASHGUARDS

The splashguard height needs to be monitored, and adjusted. While cleaning with the machine, check the performance of the side splashguards.

- A. If the splashguards are too high, the gap between the splashguard (D) and the floor, will leave water on the floor during turns.
- B. If the splashguards are too low, the splashguard (D) will deflect too far, leaving water during turns, and reducing the life of the splashguard.
- C. Proper adjustment is when the splashguards lightly touch the floor from the front to the rear of the splashguard.

Adjusting procedure as follows:

1. Ensure the deck is in the raised (UP) position.
2. Loosen the top retention nuts (A), and remove the splashguard assembly.
3. Adjust the lower retention nuts (B) up/down.
4. Re-install the splashguard assembly and check the adjustment.
5. Repeat 3. & 4. as required until the splashguard adjustment is correct.
6. Tighten the top retention nuts (A) to secure the adjustment.
7. Repeat the procedure on the other side splashguard.

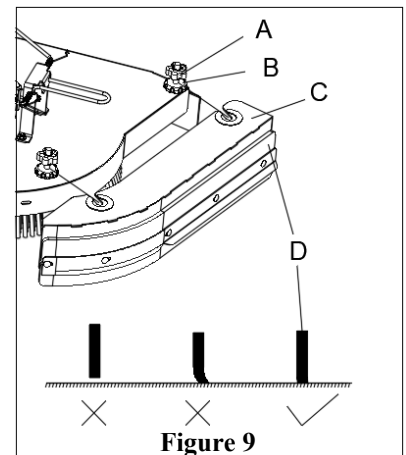


Figure 9

ADJUSTING THE BALANCE OF SQUEEGEE

1. Install the squeegee and tighten up the nuts (C, Figure 10), then connect the vacuum hose (B) to the squeegee.
2. Adjust the squeegee by squeegee adjusting knob (A).
 - a) If there is a gap between the ground and middle section of rear squeegee blade (E), adjust the knob (A) in clockwise direction (H) until all sections of the rear squeegee blade make good contact with the ground, and the front blade touches the ground slightly.
 - b) If there is a gap between the ground and both end sections of the rear blade (D and F), adjust the knob (A) in counterclockwise direction (G) until all sections of the rear squeegee blade make good contact with the ground, and the front blade touches the ground slightly.

If necessary, adjust the whole squeegee height by adjust the caster wheel (K) height.

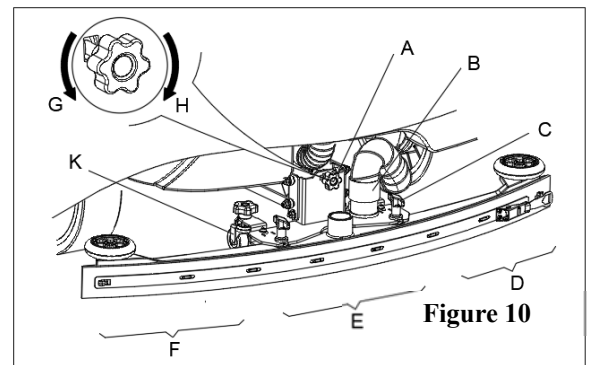


Figure 10

FILLING SOLUTION TANK

1. Open the water inlet cover (A, Figure 11).
2. Fill with water or solution suitable for work performance through the water inlet with filter.
The solution temperature must not exceed +104F (+40°C).
3. Do not overfill the tank, refer to water level indicator (D) for the water volume.



WARNING!
Use only low-foam and non-flammable detergents, intended for automatic scrubber applications.

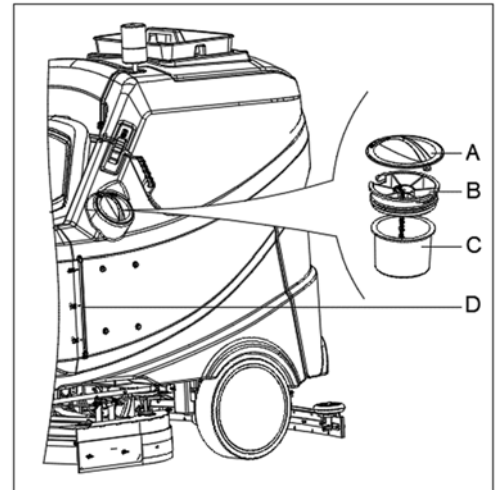


Figure 11

DRIVE MOTOR AND MECHANICAL BRAKE INSPECTION

1. Turn the ignition key (A, Figure 12) to “I”, sit on the seat (C).
2. Depress the accelerate pedal (D) slightly then release it to check if the machine can be steered forward and stopped.
3. To ensure safety, confirm the machine can be stopped immediately when pressing the emergency button (B). Rotate the emergency button to reset it.
4. Depress the mechanical brake pedal (F) quickly to check if the machine can be stopped immediately.



WARNING!
Working climbing capacity shall not exceed 16%. When working on slope, must keep the tank latches (7 Figure 1) engaged. For safety, never stop it on slope.

When climbing a slope with maximum 20% inclination, adjust the speed limiting potentiometer to the maximum speed position in advance. Push the accelerator pedal to the maximum while climbing the slope.

If scrubbing in a slope with maximum 16% inclination, adjust the speed limiting potentiometer to the maximum speed position in advance. If the display reads “Error 4, Tra Overload”, adjust brush pressure to the lowest setting.

If you find that the machine speed is getting slower and close to the stop state in the process of climbing a slope and “Error 4, Tra Overload” is showing on the display. Release the accelerator pedal immediately and step on the mechanical brake.

If “Error 4, Tra Overload” is displayed in the process of climbing a slope. Immediately stop and step on the mechanical brake, turn the key switch to off, and then turn on the key to restart and give up the climbing operation. Adjust the speed limit potentiometer to a slow speed position, and then press the backward button, release the mechanical brake, gently step on the accelerator so that the machine can move backward slowly until a lower inclination have been reached.

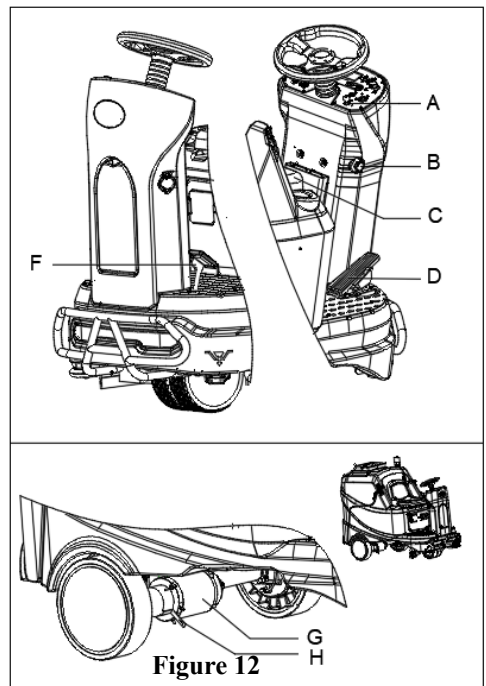


Figure 12



CAUTION
The brake of drive motor is released when the motor works normally, it locks when the motor is off. In some special cases, such as machine packing/unpacking, machine fault etc., the machine may need to be pushed. On drive motor (G Figure 12) push down the brake handle (H Figure 12), the machine brake is released, and the machine can be moved. After completion, push up the handle back, so the machine can work

MACHINE START AND STOP

Start the machine

1. Prepare the machine as shown in the previous paragraph.
2. Sit on the seat (K, Figure 13), insert the Ignition key (J, Figure 13) and turn it to “I”. Check batteries status from display screen. If necessary, to charge the batteries (see the procedure in Maintenance chapter).
3. Drive the machine to the working area.

The forward/reverse direction can be controlled with the switch (H, Figure 13). The speed can be adjusted with the adjuster (E, Figure 13).

4. Press One-Start button (G, Figure 13) to start the machine, the squeegee and brushes are lowered to the floor automatically, and the vacuum motor begins to work.
5. Press the solution flow control buttons (F, Figure 13) as necessary, depending on the type of cleaning to be performed.
6. Depress the accelerator pedal (Q, Figure 13), and start cleaning.
7. You can charge your phone or pad through USB charging port (M, Figure 13) when the Ignition key (J, Figure 13) is turned to "I".
8. Press the horn button (B, Figure 13) to warn people when necessary.
9. If necessary, press the emergency button (N, Figure 13) for machine emergency stop.
10. If necessary, press the front lights button (C, Figure 13) for dark areas or to warn pedestrians.
11. If necessary, adjust the seat (K, Figure 13) by turning right the handle on the right of seat, then slide the seat to proper position.



NOTE

The brush motor, vacuum motor, drive motor and control circuit are protected by overload protector (P, Figure 13). When an overload protector trips, do not reset it immediately without finding out the root cause, and make sure the motor has cooled before reset.

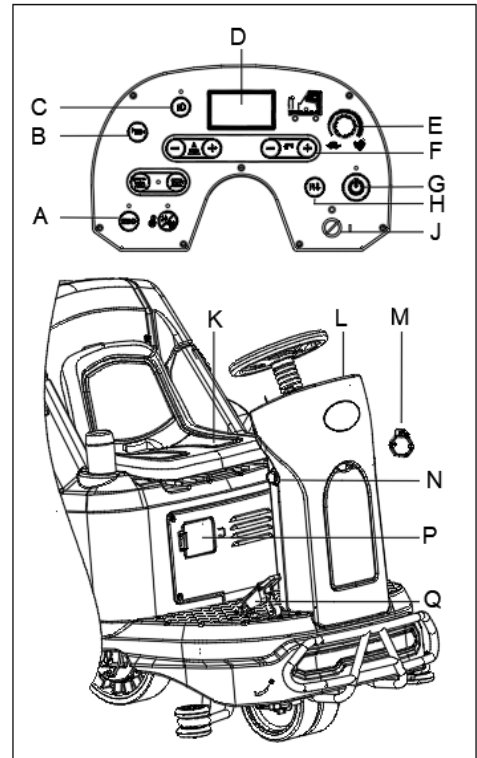


Figure 13

Stop the machine

12. Release the accelerator pedal (Q, Figure 13), the machine stops running.
13. Press One-Start button (G, Figure 13) to stop brushes and vacuum motor. The brushes and squeegee are lifted from the floor automatically. The vacuum system will turn off after a few seconds.
14. Turn the Ignition key to "0".
15. Make sure the machine cannot move independently.

MACHINE OPERATION (SCRUBBING AND DRYING)

1. Start the machine according to procedures in previous paragraphs.
2. Start cleaning by following procedures in section of "Starting the machine".
3. If necessary, stop the machine to adjust side splashguards according to section "Adjusting the balance of side splashguards".
4. If necessary, stop the machine to adjust squeegee according to section "Adjusting the balance of squeegee".



NOTE

For correct scrubbing/drying of floors at the sides of the walls. It is suggested to go near the walls with the right side of the machine (Figure 14) as shown in the figure.

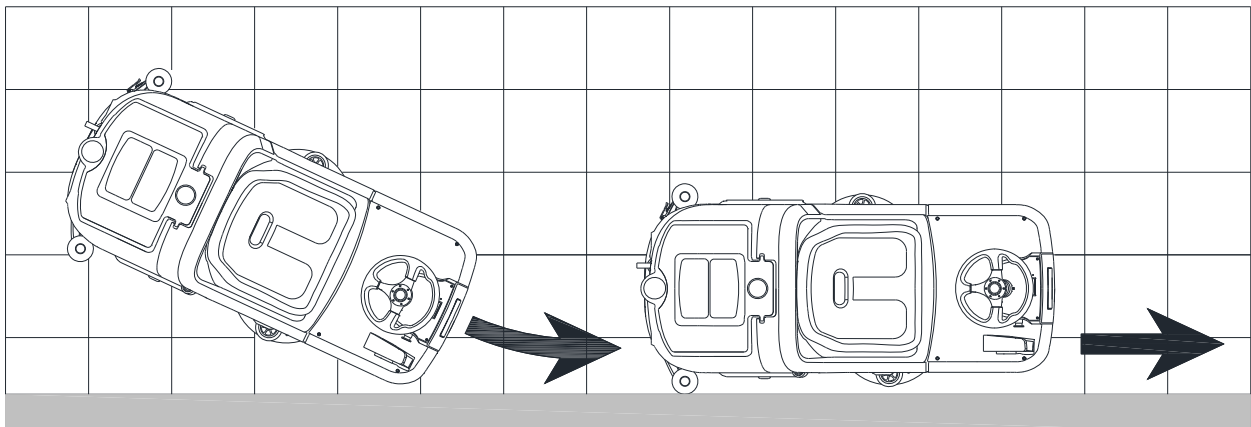


Figure 14

TANK EMPTYING

Recovery water tank emptying

When the Multifunction display (47, Figure 3) show ERROR24 and the recovery tank full indicator (48, Figure 3) is turned on. It indicates the recovery tank (C, Figure 15) is full, the vacuum motor cannot longer dry the floor. Empty the recovery tank as following steps:

1. Stop the machine.
2. Lift the brush/pad-holder deck and the squeegee by pressing the one-button start (51, Figure 3).
3. Drive the machine to the appointed disposal area.
4. Empty the recovery water tank with the hose (D, Figure 15). Then, rinse the tank (C, Figure 15) with clean water.



CAUTION!

When draining the wastewater, the hold the drain hose high, and fold over the top section to avoid spilling onto the operator.

Solution/clean water tank emptying

1. Empty the solution tank with the outlet cover (A, Figure 15). After working, rinse the tank with clean water.

AFTER USING THE MACHINE

After working, before leaving the machine:

1. Remove the brushes/pad-holders by pressing the release left button (56, Figure 3) and clean them.
2. Empty the tanks (B and C, Figure 15) as shown in the previous paragraph.
3. Perform the daily maintenance procedures (see the Maintenance chapter).
4. Store the machine in a clean and dry place, with the brushes/ pad-holders and the squeegee lifted or removed.
5. Use the recovery tank lid support to keep the lid open. This will help prevent odors from building up inside.

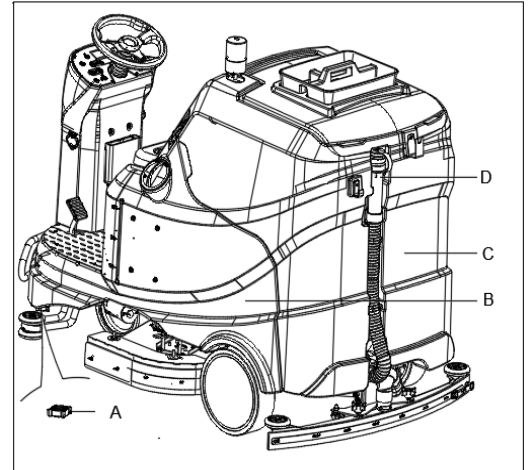


Figure 15

MACHINE STORAGE DURING LONG INACTIVITY

If the machine is not going to be used for more than 30 days, proceed as follows:

1. Perform the procedures shown in After Using the machine paragraph.
2. Disconnect the battery connector.

FIRST PERIOD OF USE

After the first 8 hours, check the machine fastening and connecting parts for proper tightening and check the visible parts for wear and leakage.

MAINTENANCE



WARNING!

Maintenance procedures must be performed after the machine is turned off and the battery charger cable is disconnected. In addition, carefully read the safety chapters in these instructions.

All scheduled or extraordinary maintenance procedures must be performed by qualified personnel or an authorized Service Center. This manual only describes the general and common maintenance procedures.

For other maintenance procedures that are not in below maintenance schedule table, please contact our Technical Support Department.

SCHEDULED MAINTENANCE TABLE



CAUTION!

The procedure marked with (1) must be performed when the machine is used after 8 hours for the first time. The procedure marked with (2) must be done by Service Center that qualified by our company.

Procedure	Daily, after each use	Weekly	Semiannually	Yearly
Battery charging				
Squeegee cleaning				
Brush/Pad-holder cleaning				
Tank cleaning				
Tank gasket strip inspection				
Debris collection box cleaning				
Brush/Pad cleaning				
Splash guard cleaning				
Squeegee blade check and replacement				
Solution filter cleaning				
Vacuum intake filter cleaning				
WET battery fluid level check				
Screw and nut tightness inspection			(1)	
Add lubricating oil for rotating parts (like brake oil)			(1)	
Brush motor carbon brush check or replacement				(2)
Vacuum motor carbon brush check or replacement				(2)
Drive system motor carbon brush check or replacement				(2)

ВЪВЕДЕНИЕ**ПРЕДУПРЕЖДЕНИЕ!**

Част от общата и детайлна информация за уреда не е включена в настоящото ръководство. Моля, прочетете **КРАТКОТО РЪКОВОДСТВО**, което се предоставя на CD-ROM и може да бъде прочетено с Adobe® Reader®.

**ЗАБЕЛЕЖКА**

Числата в скобите се отнасят за елементите, посочени в раздел **Описание на уреда**.

ЦЕЛ И СЪДЪРЖАНИЕ НА РЪКОВОДСТВОТО

Предназначението на тези инструкции за употреба е да се предостави на оператора цялата основна информация за техническите характеристики, работата и покоя на машината, резервните части и условията за безопасност.

Преди да извършват каквито и да е дейности по уреда, както операторите, така и квалифицираният персонал трябва да прочетат Инструкциите за употреба. Свържете се с нашата компания в случай на съмнение относно тълкуването на инструкциите или за всяка допълнителна информация.

КАК ДА СЪХРАНИТЕ ТЕЗИ ИНСТРУКЦИИ ЗА УПОТРЕБА

Инструкциите за употреба трябва да се съхраняват в близост до уреда, в подходяща опаковка, далеч от течности и други вещества, които могат да го повредят.

ДЕКЛАРАЦИЯ ЗА СЪОТВЕТСТВИЕ

Декларация за съответствие се предоставя заедно с устройството и удостоверява, че уредът в съответствие с действащото законодателство.

**ЗАБЕЛЕЖКА**

Копията от оригинала на декларацията за съответствие се предоставят заедно с документацията на уреда.

РЕЗЕРВНИ ЧАСТИ И ПОДДРЪЖКА

Всички необходими процедури за експлоатация, поддръжка и ремонт трябва да се извършват от квалифициран персонал, или одобрен от нашата фирма сервизен център. Могат да се използват само оригинални или одобрени резервни части и аксесоари. В случай на необходимост от ремонт или поръчка на резервни части или аксесоари, моля свържете се с нас

ПРОМЕНИ И ПОДОБРЕНИЯ

Ние непрекъснато подобряваме и обновяваме нашите продукти, като компанията си запазва правото да променя и подобрява уредите, без да съобщава за това допълнително.

ОБЛАСТ НА ПРИЛОЖЕНИЕ

Подочистачката е предназначена за търговски и промишлени нужди. Подходяща е за почистване на гладки и твърди подови настилки, като трябва да се използва от квалифицирано лице в безопасна среда. Не е подходяща за използване на открито, върху килими или груби подови настилки.

ИДЕНТИФИКАЦИОННИ ДАННИ НА УРЕДА

Моделът и серийния номер на уреда са отбелязани на етикета със серийния номер.

Тази информация е важна. Използвайте следната таблица, за да запишете идентификационните данни на уреда, те ще са Ви необходими при поръчка на резервни части.

МОДЕЛ НА УРЕДА.....
СЕРИЕН НОМЕР НА УРЕДА.....

РАЗОПАКОВАНЕ И ТРАНСПОРТ

При доставката, уверете се, че опаковката и самият уред са здрави и непокътнати. Ако установите някакви щети, веднага информирайте транспортната фирма за тях преди да приемете доставката, за да си резервирате правото на обезщетение за щетите.

При разопаковане на уреда, следвайте стриктно инструкциите на опаковката.

Проверете дали следните части са налични в опаковката.

1. Техническа документация – Инструкции за употреба.
2. Компоненти за свързване на акумулатора.
3. Ръководство за електронно зарядно устройство за акумулатора (ако е инсталирано) (*)

БЕЗОПАСНОСТ

Следните символи предупреждават за потенциално опасни ситуации. Прочетете тази информация внимателно и да вземете всички необходими предпазни мерки, за защита на хората и имуществото.

ВИДИМИ ОЗНАЧЕНИЯ**ВНИМАНИЕ!**

Прочетете внимателно всички инструкции, преди да извървите каквато и да е дейност върху уреда.

**ВНИМАНИЕ!**

Не мийте уреда с директна струя или вода под налягане.

**ВНИМАНИЕ!**

Не използвайте уреда за работа върху наклонени повърхности, чийто градус надвишава посочения в спецификациите.

СИМВОЛИ, КОИТО СЕ ИЗПОЛЗВАТ В ИНСТРУКЦИИТЕ ЗА УПОТРЕБА**ОПАСНО!**

Отнася се за опасна ситуация, която може да причини смъртта на оператора.

**ВНИМАНИЕ!**

Показва потенциален риск от наранявания.

**ПРЕДУПРЕЖДЕНИЕ!**

Предупреждение за повишено внимание или забележка, свързана с важни или полезни функции. Обърнете внимание на абзаците, маркирани с този символ.

**ЗАБЕЛЕЖКА**

Съдържа специална информация, свързана с важни или полезни функции.

**ПРЕПОРЪКА**

Това показва необходимостта да проверите Инструкциите за употреба, преди да изпълните някоя процедура.

ОБЩИ НАСОКИ ЗА БЕЗОПАСНОСТ

Специфични предупреждения и предпазни мерки относно риска от евентуални наранявания за хората и щети за уреда, както е указано по-долу.

**ОПАСНО!**

- Този уред трябва да се използва само от обучени и упълномощени служители, съгласно напътствията в това ръководство.
- Преди провеждането на каквато и да е процедура за почистване, поддръжка, ремонт или замяна, прочетете внимателно всички инструкции, уверете се, че уредът е изключен и извадете конектора на акумулатора.
- Не работете с уреда в близост до токсични, опасни, лесно възпламеними и/или взривоопасни прахове, течности или пари. Уредът не е подходящ за събиране на опасен прах.
- Не носете бижута, когато работите в близост до електрически компоненти.
- Не работете под уреда, когато е повдигнат, освен ако не се уверите, че е добре обезопасен.
- При използване на оловни акумулатори (с ТЕЧЕН ЕЛЕКТРОЛИТ), имайте предвид, че при нормалната си употреба те могат да излъчват запалими газове. Ето защо трябва да се съхраняват далеч от искри, пламъци, димящи и облъчващи вещества, осветителни тела и горящи материали.
- По време на зареждането си оловните акумулатори (съдържащи ТЕЧЕН ЕЛЕКТРОЛИТ) отделят газообразен водород, който може да доведе до експлозия. За зареждането осигурете проветриво пространство, далеч от огън.

**ВНИМАНИЕ!**

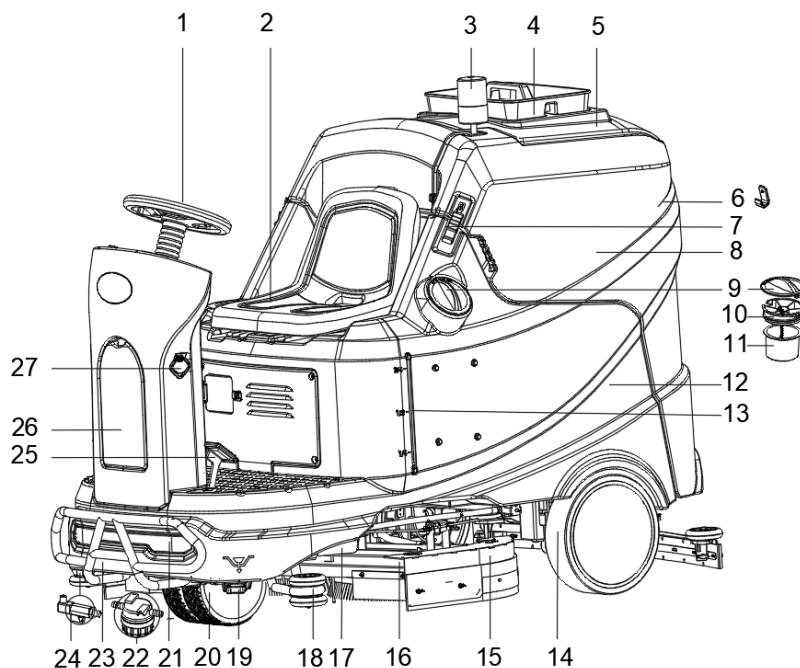
- Тази машина е предназначена за ПРОФЕСИОНАЛНА употреба, например в хотели, училища, болници, фабрики, магазини, офиси или фирми за отдаване под наем.
- Уредите, оставени без надзор, трябва да бъдат обезопасени срещу неволно движение.
- С цел да се предотврати неразрешено използване на уреда, източникът на захранване трябва да бъде изключен или заключен, например чрез отстраняване на ключа от основния превключвател или ключа за запалване.
- Проверявайте уреда внимателно преди всяка употреба. Преди да използвате уреда, уверете се, че всички компоненти са били сглобени добре. Разхлабените компоненти могат да причинят вреда на хора или имущество.
- Никога не местете уреда, като го дърпате чрез кабела на зарядното устройство. Не прещипвайте кабела при затваряне на врати и не го огъвайте покрай остри ъгли и ръбове. Не настъпвайте кабела на зарядното устройство със самия уред. Пазете кабела на зарядното устройство далеч от горещи повърхности.
- Не зареждайте батериите, ако кабелът или конекторът на зарядното устройство са повредени.
- За да намалите риска от пожар, токов удар или нараняване, се уверете, че уредът е изключен, преди да го оставите без надзор.
- Използвайте и съхранявайте устройството на закрито, в сухи помещения, употребата на открито не е разрешена.
- Както температурата за съхранение, така и работната температура, трябва да бъдат между 0°C и 40°C, при влажност на въздуха в интервала 30% - 95%.
- Не използвайте уреда върху наклонени повърхности, чийто градус надвишава допустимия съгласно спецификациите.
- При използване и работа с почистващи препарати за подови настилки, следвайте инструкциите на етикетите на бутилките и носете подходящи ръкавици и други защитни приспособления.
- Използвайте предоставените с уреда или посочените в указанията четки и почистващи подложки. Употребата на други четки или подложки може да намали безопасността.
- При поява на дефект се уверете, че причината не е поради липсата на поддръжка. Ако е необходимо, поискайте съдействие от упълномощени лица или оторизирани сервизни центрове.
- Вземете всички необходими мерки, за да предотвратите защипването на коса, бижута или широки дрехи в подвижните части на уреда.
- Не използвайте уреда в особено запрашени помещения.

- Не мийте уреда с директна струя вода под налягане или корозивни вещества.
- Избягвайте удари в рафтове и скелета, тъй като съществува риск от падащи предмети.
- Не облягайте съдове с течности върху уреда, използвайте съответната поставка.
- За да избегнете повреди по настилката, не оставяйте четката / почистващата подложка да работи, докато уредът не се движи.
- В случай на пожар използвайте сух прахов пожарогасител. Не използвайте течни пожарогасители
- Не сваляйте и не променяйте етикетите на уреда.
- Не променяйте защитните приспособления на машината и следвайте стриктно инструкциите за планова поддръжка.
- Бъдете внимателни при транспортиране на уреда, когато температурата е под нулата. Водата в резервоара за мръсна вода и в маркучите може да замръзне, което би причинило сериозни повреди на уреда.
- Ако е необходима подмяна на части, поръчвайте **ОРИГИНАЛНИ** резервни части от оторизирани дистрибутори или търговски представители.
- Върнете уреда на обслужващия сервиз, ако не работи както обикновено или ако е повреден.
- За да гарантирате безопасната и правилна работа на уреда, осигурете извършването на планово техническо обслужване от упълномощен персонал или оторизирани дистрибутори или търговски представители в съответствие с плановете за поддръжка в съответните раздели на ръководството.
- Уредът трябва да бъде бракуван правилно поради наличието на отровни и опасни материали (акумулатори и др.), като те трябва да бъдат изхвърлени в специални депа съгласно приложимите закони и разпоредби (вижте раздел Бракуване на уреда).
- Тази машина е предназначена единствено за почистване и не е проектирана за никакви други цели.
- Винаги поддържайте отворите чисти - без прах, косми и всякакви чужди тела, които биха могли да намалят притока на въздух. Не използвайте уреда, ако отворите са запушени.
- Използвайте уреда само когато е осигурено подходящо осветление.
- Този уред не е предназначен за използване от лица (включително деца) с физически, сензорни или умствени увреждания, или с недостатъчен опит и знания.
- Специално внимание е необходимо, когато се използва в близост до деца.
- Децата трябва бъдат наблюдавани, за да не си играят с уреда.
- По време на използване на уреда внимавайте да не причините щети или наранявания.
- Почистване и обслужване не трябва да се извършват от деца без надзор.
- Операторите трябва да бъдат подходящо инструктирани за използването на тези машини.
- Не използвайте машината без защитна конструкция срещу падащи предмети (ЗКПП) в зони, където има вероятност операторът да бъде ударен от падащи предмети.

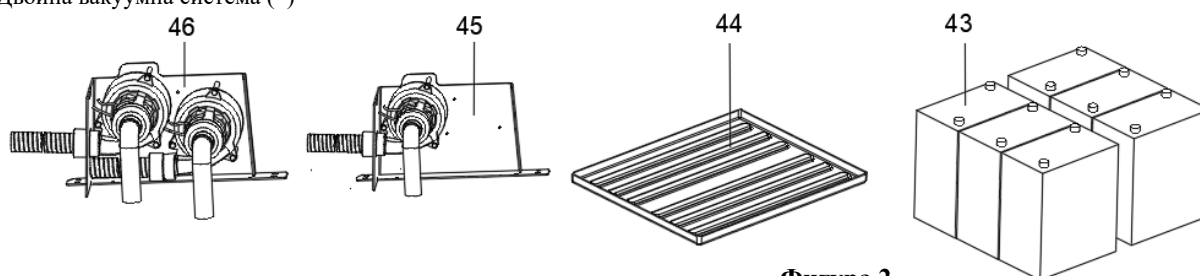
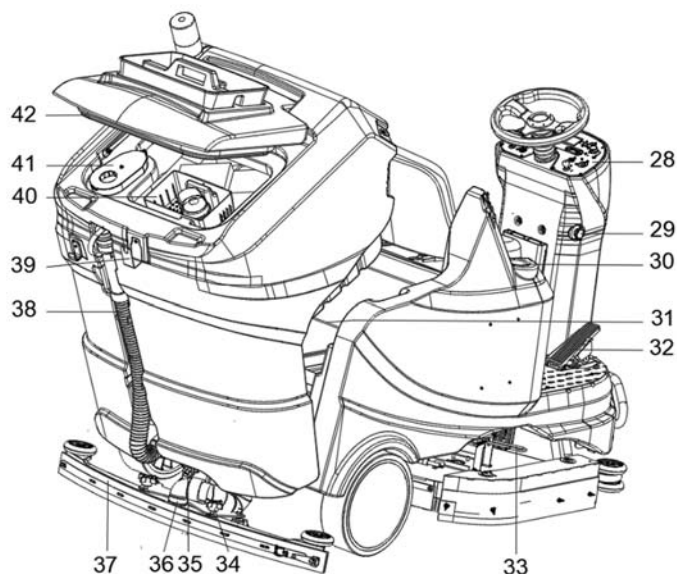
ОПИСАНИЕ НА УРЕДА

УСТРОЙСТВО НА УРЕДА* - опционално

1. Волан за управление
2. Седалка, регулируема (с предпазен ключ)
3. Предупредителна светлина
4. Универсална кутия (*)
5. Капак на резервоара за мръсна вода
6. Кука
7. Резе (x2)
8. Резервоар за мръсна вода
9. Капак на филтъра
10. Държач на маркуча на филтъра
11. Рамка на филтъра
12. Резервоар за почистващ разтвор
13. Водоотливна тръба
14. Задвижващи колела (с механична спирачка)
15. Странични предпазители срещу пръски
16. Комплект четки
17. Помпа
18. Предпазни колела
19. Капачка за източване на резервоара за почистващ разтвор
20. Предни колела
21. Предни светлини
22. Филтър за разтвор
23. Предна броня
24. Спирателен вентил на разтвора
25. Педал на механичната спирачка
26. Капак на вътрешно отделение за съхранение
27. USB порт за зареждане
28. Панел за управление
29. Ключ за аварийно изключване
30. Поставка за чаша
31. Поддържащ кабел на резервоара за мръсна вода
32. Педал за ускорение
33. Ограничител на монтажа на водача за четките/подложките
34. Регулатори на накрайника
35. Регулатор на ъгъла на накрайника
36. Смукателен маркуч на накрайника
37. Накрайник
38. Маркуч за източване на резервоара за мръсна вода
39. Кука на накрайника
40. Контейнер за боклук
41. Вакуумен всмукателен филтър
42. Уплътнение на капака на резервоара
43. Акумулатори (неприложимо)
44. Поставка за акумулатор (*)
45. Вакуумна система
46. Двойна вакуумна система (*)



Фигура 1



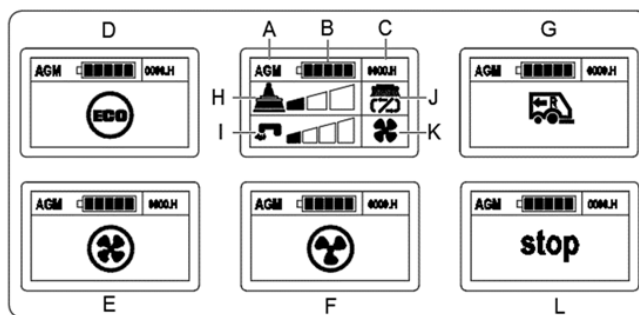
Фигура 2

ПАНЕЛ ЗА УПРАВЛЕНИЕ (както е показано)

47. Мултифункционален дисплей

Показания на дисплея:

- A) Тип акумулатор
- B) Ниво на зареждане на акумулатора
- C) Работни часове
- D) Икономичен (ЕСО) режим
- E) Нормален режим с вакуум
- F) Безшумен режим с вакуум
- G) Режим назад
- H) Допълнително налягане активирано
- I) Количество подаван миеш разтвор
- J) Работен режим с четки
- K) Вакуумен режим
- L) Предпазен ключ на седалката изключен



48. Индикатор за пълен резервоар за мръсна вода/празен резервоар за разтвор

49. Лост за регулиране на скоростта

50. Бутони за регулиране на подаването на почистващия разтвор

51. Стартиращ бутон (Стартиране с един бутон)

- LED индикаторът над бутона свети – функцията е активирана
- водно ниво (ниво 2)
- минимално налягане (ниво 1)
- вакуумната система е нормална

52. Бутон за движение напред – заден ход

53. Ключ за запалване (0=ВКЛ. I=ИЗКЛ.)

54. Бутон за регулиране на вакуумната система (натиснете бутона за 1 секунда, за да активирате)

- LED индикаторът свети постоянно – нормален режим
- LED индикаторът примигва – тих режим

55. Бутон за икономичен (ЕСО) режим

- LED индикаторът над бутона свети – функцията е активирана
- минимално подаване на вода (ниво 1)
- минимално налягане (ниво 1)
- прахосмукачката е в тих режим

56. Включване/изключване на държача на четките/подложките

- LED индикаторът примигва – бутонът е активиран

57. Бутони за регулиране на налягането на четките

58. Клаксон

59. Бутон за предни светлини

60. Капак на конектора за зарядното устройство

61. Защита от претоварване на моторите на четките (30A)

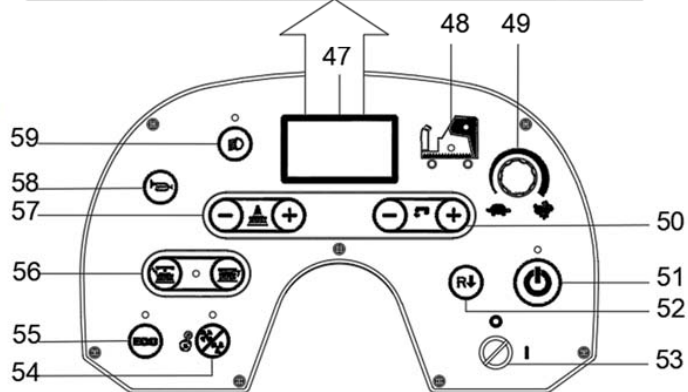
62. Защита от претоварване на повдигането на четките (3A)

63. Конектор за зарядно устройство

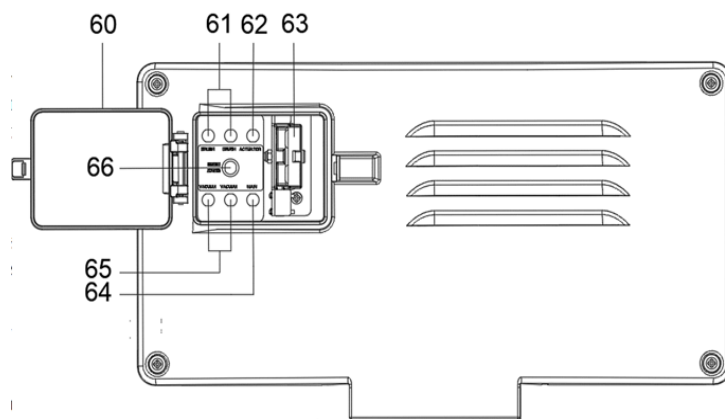
64. Защита от претоварване на главната верига за управление (5A)

65. Защита от претоварване на мотора(ите) на прахосмукачката (30A)

66. Защита от претоварване на повдигането на накрайника (3A)



Фигура 3



Фигура 4

ТЕХНИЧЕСКИ ПАРАМЕТРИ

Тип параметър	AS1050R
Напрежение	36 V
Номинална мощност (ВХОД)	125 A/4500 W
Клас на IP защита	IP24
Вместимост на резервоара за почистващ разтвор	200 л/53 галона.
Вместимост на резервоара за мръсна вода	200 л/53 галона.
Широчина на почистване	980 мм/35,58 инча
Диаметър на четката/почистващата подложка	508 мм x 2/20 инча x 2
Налигане на четката/почистващата подложката (максимално)	90 кг/198 паунда
Мощност на мотора на четката (ВХОД)	2 X 1000 W/2 X 1,3 конски сили
Скорост на четката в нормален режим	240 об./мин
Скорост на четката в икономичен (ECO) режим	175 об./мин
Подаване на почистващ разтвор (максимално) на деление/минута	(1,6/2,3/3,3/4,6) литра/0,42/0,61/0,87/1,22 галона
Ниво на шума (един мотор на прахосмукачката)	72 ± 3 dB (A)
Ниво на шума (два мотора на прахосмукачката) (*)	75 ± 3 dB (A)
Ниво на шума в икономичен (ECO) режим или в безшумен режим	69 ± 3 dB (A)
Мощност на прахосмукачката	600 W / 0,8 конски сили
USB зареждане	5 V 2,4 A МАКС.
Производителност (макс.)	7840 м ² /ч./84 389 фута ² /ч.
Работна скорост	0 – 8 км/0 – 5 мили в час
Скорост напред	0 – 8 км/0 – 5 мили в час
Скорост назад	0 – 5 км/0 – 3,1 мили в час
Мощност на задвижващия мотор (ВХОД)	1600 W / 2,1 конски сили
Минимален проход при завиване	2650 мм/104 инча
Изкачване (максимално) при транспорт	20%
Изкачване (максимално) при работа	16%
Диаметър на задвижващите колела	980 мм / 13,4 инча
Специфично налягане върху пода от задвижващите колела	0,68 N/мм ²
Диаметър на предните колела	250 мм / 10 инча
Специфично налягане върху пода от предните колела	0,62 N/мм ²
Ниво на вибрация на дръжката (максимално)	< 2,5 м/с ²
Размери на отделението за акумулатора без поставка (Д x Ш x В)	(680 x 560 x 450) мм/26,7 x 22 x 17,7 инча
Размери на отделението за акумулатора с поставка (Д x Ш x В) (*)	(665 x 550 x 430) мм / 26,1 x 21,6 x 16,9 инча
Дължина на машината без предна броня	1875 мм/73,8 инча
Широчина на уреда без крайника	1077 мм/42,4 инча
Височина на уреда	1350 мм / 53 инча
Височина на уреда(С предпазно приспособление над главата)	1955 мм / 77 инча
Маса на машината с празни резервоари (без акумулаторите)	398 кг / 853,6 паунда
Максимално общо тегло (GVW)	870 кг / 1914 паунда
Максимално общо тегло (GVW) (С предпазно приспособление над главата)	897 кг / 1973 паунда
Транспортно тегло	490 кг / 1078 паунда
Размери на опаковката (Д x Ш x В)	(2110 x 1220 x 1535 мм)/(83x 48 x 60,4 инча)

(*) : По избор

ИНСТРУКЦИИ ЗА ЕКСПЛОАТАЦИЯ

**ВНИМАНИЕ!**

На няколко места върху уреда има табели, указващи:

- ОПАСНО!
- ВНИМАНИЕ!
- ПРЕДУПРЕЖДЕНИЕ!
- СЪВЕТ

Докато четете настоящото упътване, операторът трябва да обърне внимание на обозначенията върху тези табели. В никакъв случай не покривайте табелите и ги подменете веднага, в случай че са повредени.

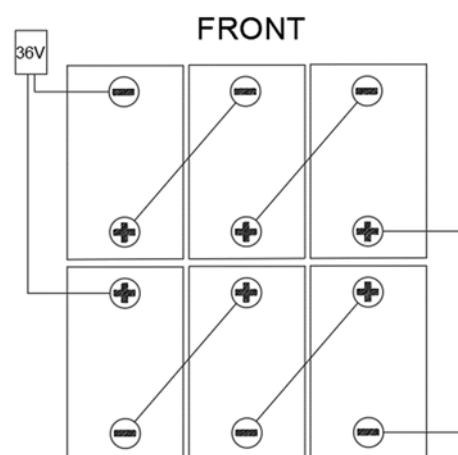
ПРОВЕРКА НА АКУМУЛАТОРА/НАСТРОЙКА НА НОВ УРЕД

**ВНИМАНИЕ!**

Електрическите компоненти на уреда могат да бъдат сериозно повредени, ако акумулаторите са или монтирани или свързани. Акумулаторите трябва да бъдат монтирани единствено от квалифициран за целта персонал. Настройте типа акумулатор, като използвате процедурата по-долу, съгласно типа използвани акумулатори (с ТЕЧЕН ЕЛЕКТРОЛИТ или с ГЕЛ/AGM/DIS/ENE). Преди да инсталирате акумулаторите, ги проверете за дефекти. Изключете конектора на акумулатора и конектора на зарядното устройство. С акумулаторите трябва да се борави изключително внимателно. Поставете върху клемите на акумулатора защитните капачки, които се предоставят заедно с уреда.

**ЗАБЕЛЕЖКА**

За уреда са необходими шест акумулатора по 6V, свързани и монтирани на местата, показани на фигура 5.



Фигура 5

Акумулаторите вече са инсталирани на уреда

1. Уверете се, че конекторът на акумулатора е свързан.
2. Когато за пръв път използвате уреда с нови акумулатори, ги заредете напълно (вижте описание на процедурата в раздел Поддръжка).

Без акумулатори

1. Купете подходящи акумулатори (вижте параграфа Технически характеристики). За избор и монтаж на акумулатори се свържете с оторизирани търговски представители на акумулатори.
2. Задайте настройката за типа акумулатор, като използвате процедурата по-долу.

МОНТАЖ НА АКУМУЛАТОРА И НАСТРОЙКА НА ТИПА АКУМУЛАТОР (С ТЕЧЕН ЕЛЕКТРОЛИТ/ГЕЛ/AGM/DIS/ENE)**Монтаж на акумулатора**

1. Отворете лявото и дясното резе (7, Фигура 1).
2. Отворете капака на резервоара за мръсна вода (5, Фигура 1) и се уверете, че резервоарът за мръсна вода (8, Фигура 1) е празен; в противен случай го източете посредством маркуча за източване (38, Фигура 2).
3. Затворете капака на резервоара за мръсна вода (5, фигура 1)
4. Повдигнете резервоара за мръсна вода (8, Фигура 1)
5. Разкачете кабела на резервоара за мръсна вода и отстранете целия комплект резервоар за мръсна вода.
6. Отстранете един винт от въртящия се кабел на резервоара за мръсна вода (31, Фигура 2) и го завъртете отново.
7. Отстранете четирите винта на резервоара за мръсна вода в долната му част.

Уредът се доставя с кабели, подходящи за монтажа на шест акумулатора по 6V. Внимателно поставете акумулаторите в отделението, след което ги монтирайте правилно, както е показано на Фигура 5. Поставете неподвижната плоча на акумулатора правилно.

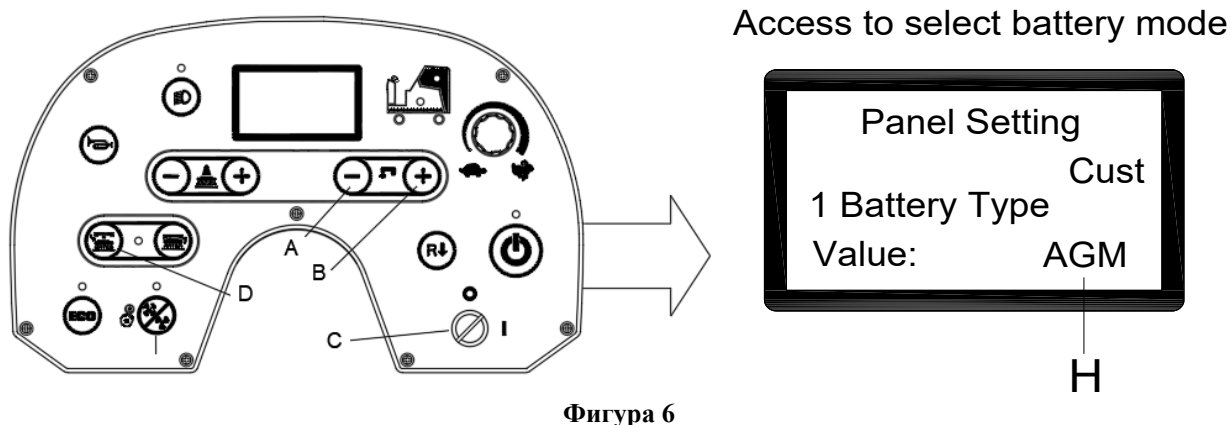
8. Прекарайте и монтирайте кабела на акумулаторите, както е показано на Фигура 5, след което внимателно стегнете гайката на всяка една от клемите.

9. Поставете предпазната капачка на всяка клема и свържете конектора на акумулатора към уреда.
10. Монтирайте целия комплект резервоар за мръсна вода, като изпълнявате стъпките за демонтаж в обратен ред.
11. Внимателно спуснете резервоара за мръсна вода.

Настройка на типа акумулатор (С ТЕЧЕН ЕЛЕКТРОЛИТ/ГЕЛ/AGM/DIS/ENE)

Достъп за избор на режим на акумулатора

Според типа на акумулаторите (С ТЕЧЕН ЕЛЕКТРОЛИТ/ГЕЛ/AGM/DIS/ENE) настройте уреда, както следва:



1. Натиснете едновременно бутона за подаване на вода „-“ (А, Фигура 6) и „+“ (В, Фигура 6).
2. Вкарайте ключа за запалването (С, Фигура 6) и го завъртете в положение „I“.
3. След няколко секунди влезте в екрана за избор на режим на акумулатора (Фигура 6).
4. Натиснете бутона за подаване на вода „-“ (А, Фигура 6) и „+“ (В, Фигура 6), за да изберете режим на акумулатора (Н, Фигура 6).
5. Натиснете бутона за освобождаване (D, Фигура 6) „3 секунди по-късно показването на „Update OK“ (Актуализиране ОК) означава, че настройването е успешно. Рестартирайте уреда. (С, Фигура 6).

Зареждане на акумулатора

Заредете напълно акумулаторите (виж процедурата в раздел Поддръжка).

Разреждане на акумулаторите

Когато символът за акумулаторите е пълен (G, Фигура 7), акумулаторите са напълно заредени. Когато се появи символ за изтощени акумулатори (H, фигура 7), акумулаторите трябва да бъдат заредени. Няколко секунди след като се появи символът за изтощени акумулатори, моторите на четките автоматично се изключват, но задвижващата система остава включена. Придвигнете уреда до зоната, предназначена за зареждане.



МОНТАЖ И ДЕМОНТАЖ НА ДЪРЖАЧА НА ЧЕТКИТЕ/ПОДЛОЖКИТЕ



ЗАБЕЛЕЖКА

ЗАБЕЛЕЖКА Монтирайте или четката (А, Фигура 8) или накрайника с подложката (В и С, Фигура 8) спрямо подовата повърхност, която трябва да се почисти.



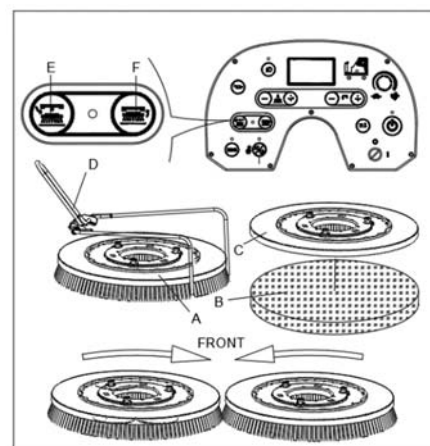
ПРЕДУПРЕЖДЕНИЕ!

Преди да монтирате или демонтирате държача за четката или почистващата подложка, уверете се, че всички ключове на уреда са в положение изключено и накрайникът е повдигнат от пода. Операторът трябва да има подходящи защитни средства като ръкавици, за да намали риска от инциденти.

Направете следното:

МОНТАЖ:

1. Вкарайте ключа за запалване (53, Фигура 3) и го завъртете в положение „I“. Повдигнете дека.
2. Поставете четките (А, Фигура 8) или държачите на подложките (В, Фигура 8) под платформата. Използвайте ограничителя за монтаж на четката (D, Фигура 8), за да намерите правилната позиция на държача на четките/подложките.
3. Монтирайте държача на четките/подложките, като натиснете бутона за поставяне (F, Фигура 8), държачът на четките/подложките ще се монтира автоматично. Посоката на въртене е показана (Фигура 8). LED индикаторът ще мига.



Фигура 8

ДЕМОНТАЖ:

1. Вкарайте ключа за запалване (53, Фигура 3) и го завъртете в положение „I“. Уверете се, че държачът на четките подложките е във вдигнато (UP) положение. Демонтирайте държача на четките/подложките, като натиснете бутона за освобождаване (F, Фигура 8), държачът на четките/подложките ще се освободи автоматично. LED индикаторът ще свети постоянно.

Ако натиснете шраквация бутон за изключване на четката и след това шраквация бутон за включване, трябва да изключите ключа за запалване и след това да го включите, машината може да работи отново.

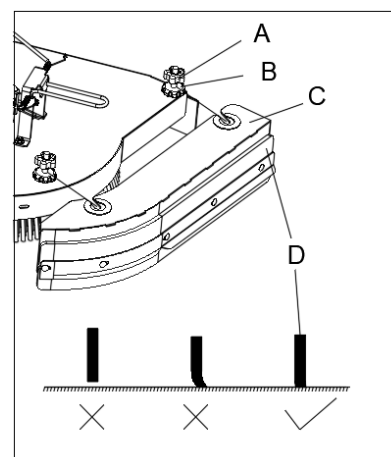
РЕГУЛИРАНЕ НА БАЛАНСА НА СТРАНИЧНИТЕ ПРЕДПАЗИТЕЛИ СРЕЩУ ПРЪСКИ

Височината на предпазителя срещу пръски трябва да се следи и регулира. Докато почиствате с уреда, проверете ефективността на страничните предпазители срещу пръски.

- A. Ако те са твърде високо, луфтът между предпазителя срещу пръски (D) и пода ще остави вода на пода при завиване.
- B. Ако са твърде ниско, предпазителят срещу пръски (D) ще се отклони твърде много, оставяйки вода при завиване и намалявайки живота на предпазителя срещу пръски.
- C. Правилната настройка е, когато предпазителят леко докосва пода от предната към задната им част.

Процедурата за регулиране е както следва:

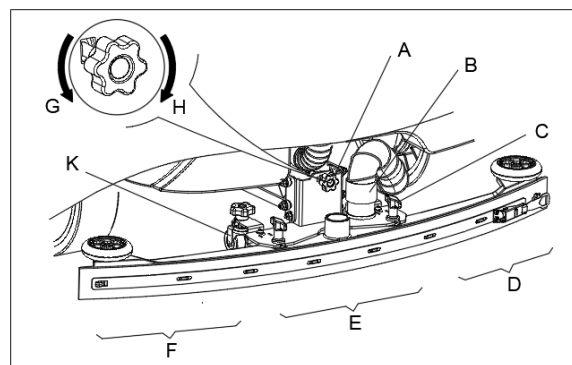
1. Уверете се, че платформата е във вдигнато (UP) положение.
2. Разхлабете горните задържащи гайки (A) и отстранете комплекта на предпазителя срещу пръски.
3. Регулирайте долните задържащи гайки (B) нагоре/надолу.
4. Монтирайте отново предпазителя срещу пръски и проверете настройката.
5. Повторете 3. и 4. както се изисква, докато регулирането на предпазителя срещу пръски е правилно.
6. Затегнете горните гайки за закрепване (A), за да закрепите настройката.
7. Повторете процедурата от другата страна на предпазителя срещу пръски.



Фигура 9

РЕГУЛИРАНЕ НА НАКРАЙНИКА

1. Монтирайте накрайника и затегнете гайките (C, Фигура 10), след което свържете смукателния маркуч (B) към накрайника..
2. Настройте гумения накрайник посредством регулатора (A).
 - a) Ако има разстояние между пода и средната секция в задната пластина на накрайника (E), завъртете регулатора (A) по посока на часовниковата стрелка (H), докато всички секции в задната пластина на накрайника прилепнат добре към земята, а предната пластина докосва леко земята.
 - b) Ако има луфт между земята и двете крайни секции на задната пластина (D и F), завъртете регулатора (A) по посока, обратна на часовниковата стрелка (G), докато всички секции на задната пластина на накрайника прилепнат добре към земята, а предната пластина докосва леко земята.



Фигура 10

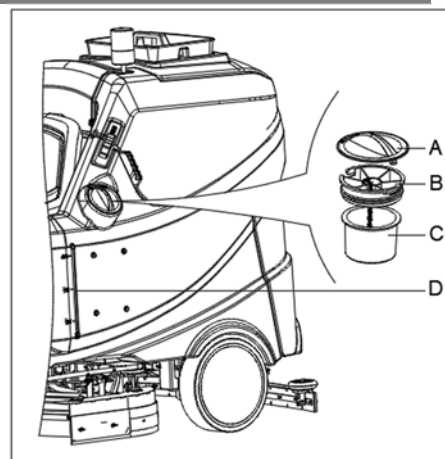
Ако е необходимо, регулирайте цялата височина на накрайника, като регулирате височината на ходовото колелце (K).

ПЪЛНЕНЕ НА РЕЗЕРВОАРА ЗА ПОЧИСТВАЩА ТЕЧНОСТ

1. Отворете капака на отвора за водата (А, Фигура 11).
2. През отвора с филтър сипете вода или почистващ разтвор в зависимост от вида на почистването.
Температурата на разтвора не бива да надвишава +104F (+40°C).
3. Не препълвайте резервоара, проверете обема на водата чрез индикатора за ниво на водата (D).

**ВНИМАНИЕ!**

Използвайте само почистващи препарати, които не образуват пяна, не са леснозапалими и са подходящи за автоматични уреди за почистване.



Фигура 11

ПРОВЕРКА НА ЗАДВИЖВАЩИЯ МОТОР И МЕХАНИЧНАТА СПИРАЧКА

1. Завъртете ключа за запалване (А Фигура 12) в позиция „I“, седнете на седалката (С).
2. Натиснете леко педала за ускорение (D), след което го отпуснете, за да проверите дали уредът може да се движи напред и да спира.
3. За да се подsigурите, проверете дали уредът спира незабавно след натискане на аварийния бутон (B). Завъртете аварийния бутон, за да рестартирате уреда.
4. Натиснете бързо педала на механичната спирачка (F), за да проверите дали уредът може да спре незабавно.

**ВНИМАНИЕ!**

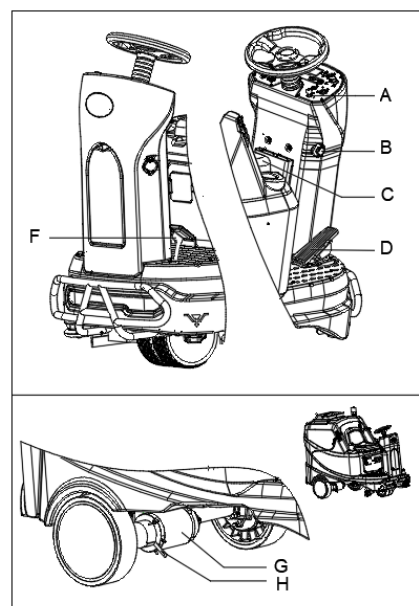
Изкачването при работа не трябва да надвишава 16 %. Когато работите по наклон, трябва да държите ключалките на резервоара (7 Фигура 1) заключени. За по-голяма безопасност никога не спирайте върху наклонена повърхност.

При изкачване по склон с максимален наклон 20%, регулирайте предварително потенциометъра за ограничаване на скоростта на позицията за максимална скорост. Натиснете педала на газта до максимум, докато изкачвате наклона.

При почистване по склон с максимален наклон 16%, регулирайте предварително потенциометъра за ограничаване на скоростта на позицията за максималната скорост. Ако на дисплея се покаже “Error 4, Tra Overload”, регулирайте налягането на четката на най-ниската настройка.

Ако установите, че скоростта на машината намалява и се доближи до състоянието на спиране по време на изкачване по склон и на дисплея се покаже “Error 4, Tra Overload”, незабавно освободете педала на газта и натиснете механичната спирачка.

Ако по време на изкачване по склон се визуализира надписът “Error 4, Tra Overload”, незабавно спрете и стъпете на механичната спирачка, завъртете ключовия превключвател на положение OFF и след това включете ключа за запалване, за да рестартирате и се откажете от изкачването. Регулирайте потенциометъра за ограничаване на скоростта на позиция за ниска скорост, след което натиснете бутоната назад, освободете механичната спирачка, внимателно натиснете педала на газта, така че машината да може да се движи бавно назад, докато се достигне по-нисък наклон.



Фигура 12

**ПРЕДУПРЕЖДЕНИЕ**

Спирачката на задвижващия мотор е освободена, когато моторът работи нормално и блокира, когато моторът е изключен. В някои специални случаи, като например опаковане/разопаковане, на уреда, повреда в машината и т.н., може да се наложи уредът да се избута. Натиснете надолу ръчката на спирачката (H Фигура 12) върху задвижващия мотор (G Фигура 12), спирачката на уреда се освобождава и той може да бъде преместен. След приключване върнете обратно ръчката, за да може уредът да работи.

СТАРТИРАНЕ И СТОПИРАНЕ НА МАШИНАТА**Стартиране на уреда**

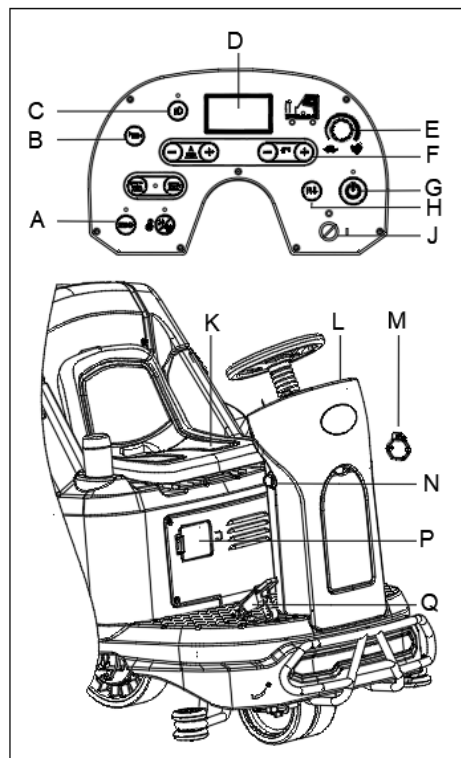
1. Подгответе уреда, както е описано в предходния раздел.
2. Седнете на седалката (K, Фигура 13), поставете ключа за запалване (J, Фигура 13) и го завъртете на „I“. Проверете състоянието на акумулаторите от екрана на дисплея. Ако е необходимо, ги заредете (вж. процедурата в раздел Поддръжка).

3. Придвигнете уреда до зоната за работа.
Посоката напред/назад може да се контролира с превключвателя (H, Фигура 13). Скоростта може да се регулира посредством регулатора (E, Фигура 13).
4. Натиснете стартиращия бутон (G, Фигура 13), за да стартирате уреда, накрайника и четките се спускат автоматично към пода и моторът на прахосмукачката започва да работи.
5. Натиснете бутоните за регулиране на подаването на почистващ разтвор (F, Фигура 13), за да регулирате според вида почистване.
6. Натиснете педала за ускорение (Q, Фигура 13), и започнете почистването.
7. С USB порта за зареждане (M, Фигура 13) можете да заредите телефон или таблет, когато ключът за запалване (J, Фигура 13) е завъртян на „I“.
8. Когато е необходимо, натиснете клаксона (B, Фигура 13), за да предупредите хората.
9. Ако е необходимо, натиснете аварийния бутон (N, Фигура 13), за да спрете уреда незабавно.
10. Ако е необходимо, натиснете бутона за предните светлини (C, Фигура 13) за тъмните участъци или за предупреждаване на пешеходци.
11. Ако е необходимо, регулирайте седалката (K, Фигура 13), като завъртите надясно дръжката от дясно на седалката, след което плъзнете седалката до правилната позиция.



ЗАБЕЛЕЖКА

Моторът на четката, моторът на прахосмукачката и веригата за управление са защитени от механизъм против претоварване (P, Фигура 13). Когато защитата от претоварване се включи, не рестартирайте незабавно, без да сте намерили причината за претоварването и се уверете, че моторът се е охладил, преди рестартиране.



Фигура 13

Изключете уреда

12. Освободете педала на ускорение (Q, Фигура 13), уредът спира да работи.
13. Натиснете стартиращия бутон (G, Фигура 13), за да спрете четките и мотора на прахосмукачката. Четките и накрайника се вдигат автоматично от пода. Смукателната система ще се изключи след няколко секунди.
14. Завъртете ключа за запалване на „0“.
15. Уверете се, че уредът не може да се задвижи самостоятелно.

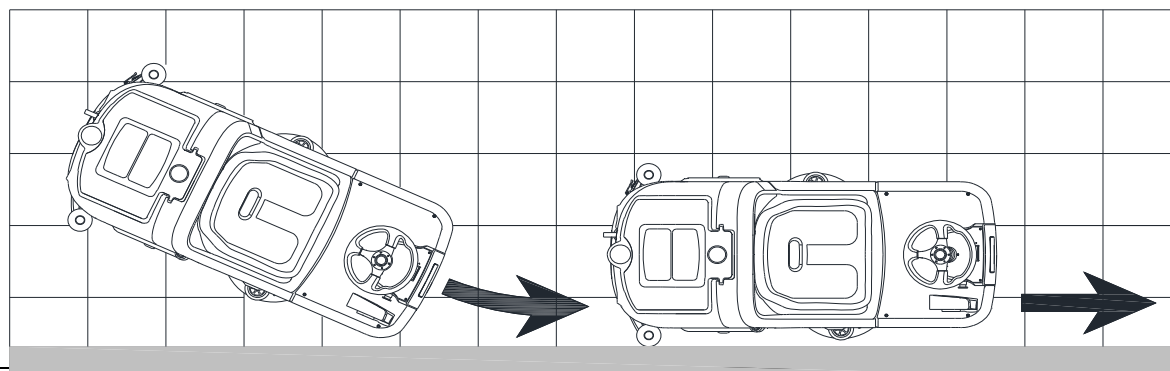
РАБОТА НА МАШИНАТА (ПОЧИСТВАНЕ И ПОДСУШАВАНЕ)

1. Стартирайте уреда според процедурите, описани в предходните раздели.
2. Стартирайте почистването според процедурите в раздел „Стартиране на машината“.
3. Ако е необходимо, спрете уреда, за да регулирате страничните предпазители срещу пръски според указанията в раздел „Регулиране на баланса на страничните предпазители срещу пръски“.
4. Ако е необходимо, спрете уреда, за да наместите накрайника според указанията в раздел „Регулиране на баланса на накрайника“.



ЗАБЕЛЕЖКА

За правилно почистване/подсушаване на подове в съседство със стени. Съветът е да се приближите до стената с дясната страна на уреда (Фигура 14), както е показано на фигурата.



Фигура 14

ИЗТОЧВАНЕ НА РЕЗЕРВОАРИТЕ

Източване на резервоара за мръсна вода

Когато многофункционалният дисплей (47, Фигура 3) показва ERROR24 и индикаторът за пълен резервоар за мръсна вода (48, Фигура 3) е включен. Той показва, че резервоарът за мръсна вода (С, Фигура 15) е пълен, моторът на прахосмукачката не може повече да изсушава пода. Изпразнете резервоара за мръсна вода, както следва:

1. Изключете уреда.
2. Повдигнете платформата с четките/подложките и накрайника, като натиснете стартиращия бутон (51, Фигура 3).
3. Придвигнете уреда до определената зона за обслужване.
4. Източете резервоара за мръсна вода, като използвате маркуча (D, Фигура 15). След това изплакнете резервоара (С, Фигура 15) с чиста вода.



ПРЕДУПРЕЖДЕНИЕ!

При източване на мръсна вода задържете маркуча за източване високо и прегънете горната част, за да избегнете разливане върху оператора.

Източване на резервоара за почистващ разтвор/вода

1. Изпразнете резервоара с почистващ препарат през отвора за източване (А, Фигура 15). След употреба изплаквайте резервоара с чиста вода.

СЛЕД УПОТРЕБА НА УРЕДА

След употреба и преди да приберете уреда:

1. Отстранете държачите на четката/почистващата подложка, като натиснете левия бутон за освобождаване (56, Фигура 3) и ги почистете.
2. Източете резервоарите (В и С, фигура 15) според описаниите в предишния параграф стъпки.
3. Извършете ежедневната поддръжка (вижте раздел Поддръжка).
4. Приберете уреда на чисто и сухо място, като предварително вдигнете или демонтирате накрайника с четката/почистващата подложка.
5. Използвайте опората на капака на резервоара за мръсна вода, за да държите капака отворен. Това ще предотврати натрупването на миризми вътре.

СЪХРАНЕНИЕ НА УРЕДА ПРИ ПРОДЪЛЖИТЕЛНО НЕИЗПОЛЗВАНЕ

Ако не възнамерявате да използвате уреда в продължение на повече от 30 дни, направете следното:

1. Изпълнете стъпките от раздел След употреба на уреда.
2. Изключете конектора на акумулатора.

ПЪРВИ ПЕРИОД НА ИЗПОЛЗВАНЕ

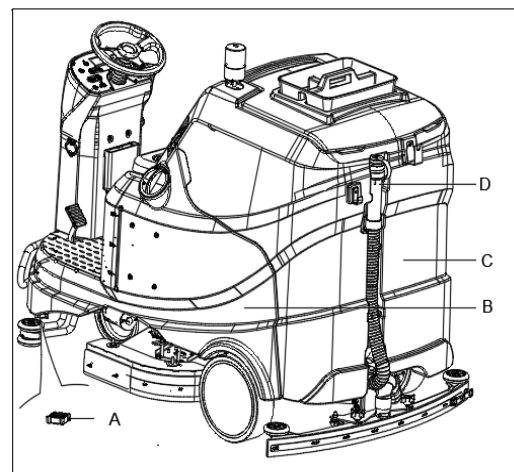
След първите 8 часа проверете дали затварящите и свързващи елементи са добре затегнати и огледайте видимите части за износване или течове.

ПОДДРЪЖКА



ВНИМАНИЕ!

Процедурите по поддръжка трябва да се извършват само при изключен уред и кабел на зарядното устройство. В допълнение внимателно прочетете главите за безопасност в тези инструкции.



Фигура 15

Всички процедури по поддръжката, независимо дали по график или извънредни, трябва да се извършват от квалифициран персонал или от упълномощен Сервизен център. Това ръководство описва само най-лесните и най-често прилагани процедури по поддръжката.

За други процедури по поддръжката, които не са включени в долната таблицата с график за поддръжката, се свържете с нашия отдел за техническа поддръжка.

ТАБЛИЦАТА С ГРАФИКА ЗА ПОДДРЪЖКА



ПРЕДУПРЕЖДЕНИЕ!

Процедурите, маркирани с (1) трябва да се извършат след първите 8 часа работа. Процедурите, маркирани с (2) трябва да се извършат в оторизиран Сервизен център.

Процедура	Ежедневно непосредствено след употреба	Седмично	На шест месеца	Ежегодно
Зареждане на акумулатора				
Почистване на накрайника				
Почистване на държача на четката/почистващата подложка				
Почистване на резервоара				
Проверка на уплътнението на резервоара				
Почистване на контейнера за боклук				
Почистване на четката/подложката				
Почистване на предпазителя срещу пръски				
Проверка и подмяна на пластините на накрайника				
Почистване на филтъра за разтвора				
Почистване на вакуумния всмукателен филтър				
Проверка на нивото на течността в акумулатора с ТЕЧЕН ЕЛЕКТРОЛИТ				
Проверка за натягането на винтовете и гайките			(1)	
Добавяне на смазочно масло за движещите се части (като спирачно масло)			(1)	
Проверка или смяна на карбоновата четка на мотора на четката				(2)
Проверка или смяна на карбоновата четка на мотора на прахосмукачката				(2)
Проверка или смяна на карбоновата четка на задвижващия мотор				(2)

ÚVOD**UPOZORNĚNÍ!**

V této příručce nejsou zahrnuty některé všeobecné a podrobné informace o přístroji.

Přečtěte si **PŘÍRUČKU RYCHLÝM SPUŠTĚNÍM** na dodaném disku CD-ROM, kterou lze otevřít v Adobe® Reader®.

**POZNÁMKA**

Čísla v závorkách se vztahují k součástem uvedeným v kapitole Popis přístroje.

ÚČEL A OBSAH PŘÍRUČKY

Účelem tohoto návodu k použití je poskytnout osobě obsluhující zařízení všechny základní informace a technické vlastnosti, provoz zařízení a jeho nečinnost, náhradní díly a bezpečnostní podmínky atd.

Před zahájením jakýchkoli prací na přístroji je nutné, aby si pracovníci obsluhy a kvalifikovaní technici přečetli Návod k použití. V případě pochybností ohledně interpretace pokynů či jakýchkoli dalších informací prosím kontaktujte naši společnost.

JAK UCHOVÁVAT TENTO NÁVOD K POUŽITÍ

Návod k použití je nutné uložit v blízkosti přístroje, uvnitř adekvátní skříně, mimo dosah tekutin a jiných látek, které by ji mohly poškodit.

PROHLÁŠENÍ O SHODĚ

Prohlášení o shodě je součástí dodávky přístroje a potvrzuje shodu přístroje s platným zákonem.

**POZNÁMKA**

Kopie původního prohlášení o shodě jsou poskytovány spolu s dokumentací přístroje.

PŘÍSLUŠENSTVÍ A ÚDRŽBA

Všechny potřebné úkony, údržbu a opravy musí provádět kvalifikovaný personál nebo servisní střediska naší společnosti. Je nutné používat **POUZE** autorizované náhradní díly a příslušenství.

Pokud je třeba objednat náhradní díly nebo příslušenství, kontaktujte prosím naše oddělení péče o zákazníky.

ZMĚNY A VYLEPŠENÍ

Naše produkty neustále zlepšujeme a vyhrazujeme si právo na změny a vylepšení produktů, a to bez dalších informací.

ÚČEL POUŽITÍ

Tento mycí stroj je určen pro obchodní a průmyslové použití. Je vhodný k čištění hladkých a tvrdých podlah a musí být používán odborným pracovníkem a v bezpečném prostředí. Tento přístroj není určen pro venkovní použití, na kobercích a hrubých podlahách.

ÚDAJE PRO IDENTIFIKACI PŘÍSTROJE

Výrobní číslo a název modelu přístroje jsou vyznačeny na výrobním štítku.

Tyto informace jsou užitečné. Pomocí následující tabulky si poznamenejte identifikační údaje přístroje pro případnou potřebu objednání náhradních dílů.

MODEL PŘÍSTROJE.....
VÝROBNÍ ČÍSLO PŘÍSTROJE.....

DODÁVKA A VYBALENÍ

Při dodání prosím zkontrolujte, zda nebyl obal a přístroj během dodávky poškozen. Dojde-li k poškození, informujte o tom dopravce ještě před přijetím zboží. Máte právo na náhradu škody.

Při vybalování přístroje postupujte striktně dle pokynů na obalu.

Zkontrolujte, zda zásilka obsahuje následující položky:

1. Technická dokumentace - Návod k použití.
2. Součásti připojení baterie.
3. Návod k elektronické nabíječce baterií (pokud je nainstalovaná) (*)

BEZPEČNOST

Následující symboly označují potenciálně nebezpečné situace. Tyto informace si vždy pozorně přečtěte a přijměte veškerá nutná opatření na ochranu majetku a zdraví osob.

VIDITELNÉ SYMBOLY NA PŘÍSTROJI**VAROVÁNÍ!**

Před jakýmkoli úkonem obsluhou přístroje si pečlivě přečtěte všechny pokyny.

**VAROVÁNÍ!**

Nemyjte přístroj pod přímým nebo tlakovým proudem vody.

**VAROVÁNÍ!**

Nepoužívejte přístroj na šikmých plochách se sklonem větším, než je uvedeno v oddílu specifikací..

SYMBOLY, KTERÉ SE OBJEVUJÍ NA POKYNU K POUŽITÍ**NEBEZPEČÍ!**

Označuje nebezpečnou situaci s nebezpečím s následkem smrti pracovníků obsluhy.

**VAROVÁNÍ!**

Označuje potenciální riziko zranění osob.

**UPOZORNĚNÍ!**

Označuje upozornění nebo poznámku související s důležitými nebo užitečnými funkcemi. Věnujte pozornost odstavcům označeným tímto symbolem.

**POZNÁMKA**

Vztahuje se k důležitým nebo užitečným funkcím.

**DOPORUČENÍ**

Označuje nutnost přečíst si před jakýmkoli úkonem Návod k použití.

VŠEOBECNÉ BEZPEČNOSTNÍ POKYNY

Níže jsou uvedena zvláštní varování a upozornění informující o případných poškozeních týkajících se osob a přístroje.

**NEBEZPEČÍ!**

- Tento přístroj musí provozovat vyškolení a autorizovaní pracovníci podle pokynů v příručce.
- Před provedením jakékoli údržby, opravy nebo výměny si pozorně přečtěte všechny instrukce, vypněte zařízení a odpojte konektor baterie.
- S přístrojem nepracujte v blízkosti toxických, nebezpečných, hořlavých a/nebo explozivních prachových a tekutých materiálů nebo výparů. Tento stroj není vhodný pro sběr nebezpečných prášků.
- Při práci v blízkosti elektrických částí nenoste žádné šperky.
- Nepracujte pod zvednutým přístrojem, který nepodpírají bezpečnostní stojany.
- Olovené baterie (MOKRÉ) mohou za běžného použití uvolňovat hořlavý plyn. Baterie nepoužívejte v blízkosti míst, kde vznikají jiskry, plameny, kouřící materiály, zářící a hořící předměty.
- Olovené baterie (MOKRÉ) mohou při nabíjení uvolňovat plyný vodík, který může způsobit výbuch. Zajistěte, aby místnost, kde se baterie nabíjí, byla dobře větraná a mimo dosah ohně.

**VAROVÁNÍ!**

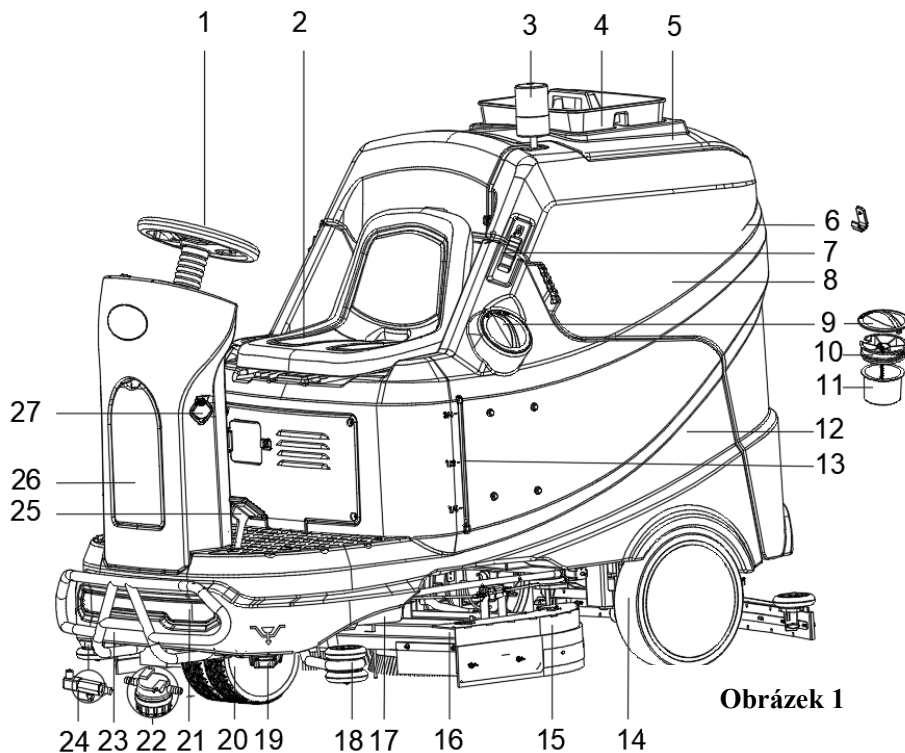
- Tento stroj je určen pro **KOMERČNÍ ZPŮSOB POUŽITÍ**, například v hotelech, školách, nemocnicích, továrnách, obchodech, kancelářích a půjčovnách.
- Stroje ponechané bez dozoru musí je nutné zajistit proti neúmyslnému pohybu.
- Aby se zabránilo neoprávněnému použití stroje, je nutné vypnout zdroj napájení nebo jej zablokovat, například vyjmutím klíče z hlavního vypínače nebo klíče zapalování.
- Před každým použitím přístroj pečlivě zkontrolujte. Před použitím se ujistěte, že všechny komponenty byly správně smontovány. Uvolněné součástky mohou způsobit poškození majetku a zranění osob.
- Nikdy přístroj nepřemisťujte tažením za kabel nabíječky baterií. Nedovolte, aby kabel vedl přes zavřené dveře či přes ostré hrany a rohy. Přístroj nezapínejte pomocí nabíjecího kabelu. Držte kabel nabíječky baterií mimo dosah horkých povrchů.
- Baterie nenabíjejte, pokud jsou kabel nabíječky baterií či zástrčka poškozené.
- Chcete-li snížit riziko požáru, úrazu elektrickým proudem nebo zranění, před opuštěním přístroje se ujistěte, že je vypnutý.
- používejte a ukládejte v suchých podmínkách interiéru. Přístroj se nesmí používat ve venkovních podmínkách.
- Teplota pro skladování a provozní teplota přístroje se musí pohybovat mezi 0 °C a +40 °C, vlhkost vzduchu musí být v rozmezí 30 % - 95 %.
- Přístroj nepoužívejte na plochách se sklonem převyšujícím uvedené specifikace, jak je znázorněno výše.
- Při použití a manipulaci s podlahovými čisticími prostředky postupujte dle pokynů na etiketách čisticích prostředků a noste vhodné rukavice a další ochranné prostředky.
- Používejte kartáče a podložky dodávané s přístrojem nebo uvedené v tomto návodu. Použití jiných kartáčů nebo podložek by mohlo snížit bezpečnost přístroje.
- V případě poruchy přístroje se ujistěte, že porucha není způsobena nedostatečnou údržbou. V případě potřeby požádejte o pomoc autorizovaného pracovníka či autorizované servisní středisko.
- Proveďte všechna nezbytná opatření, aby se do pohyblivých částí zařízení nezachytily vlasy, šperky a volné oblečení.
- Přístroj nepoužívejte zejména v prašných prostorách.

- Příklad nemyjte hadicí nebo tlakovými vodními tryskami či korozními látkami.
- Dbejte na to, abyste nenarazili do regálů či lešení, zejména tam, kde je riziko padajících předmětů.
- Neopírejte o přístroj nádoby s tekutinami. Použijte vhodný držák.
- Zajistěte, aby byly kartáč/podložka vypnuté, zatímco je přístroj v klidu, aby nedošlo k poškození podlahy.
- V případě požáru použijte suchý práškový hasicí přístroj. Nepoužívejte tekuté hasicí přístroje.
- Neodstraňujte ani neupravujte štítky na přístroji.
- Bezpečnostními prvky zařízení svévolně nemanipulujte a postupujte pozorně podle obvyklých pokynů pro pravidelnou údržbu.
- Pokud teplota klesne pod bod mrazu, věnujte při přepravě zařízení zvýšenou pozornost. Voda v nádrži na vodu a v hadicích by mohla zmrznout a přístroj vážně poškodit.
- Pokud je třeba vyměnit náhradní díly, objednejte si **ORIGINÁLNÍ** náhradní díly od autorizovaných prodejců.
- Pokud přístroj nepracuje jako obvykle nebo pokud je poškozený, vraťte ho do servisního střediska.
- Zajištění správného a bezpečného provozu přístroje je v příslušné kapitole tohoto návodu uvedena plánovaná údržba, kterou smí provádět pouze autorizovaní pracovníci nebo autorizovaní prodejci či maloobchodní dodavatelé.
- Příklad musí být řádně zlikvidován z důvodu přítomnosti škodlivých toxických materiálů (baterie atd.), které podléhají předpisům, jež předepisují likvidaci ve specializovaných zařízeních (viz kapitola Likvidace přístroje).
- Tento přístroj je pouze nástrojem na úklid, neslouží a není určen k žádnému jinému účelu.
- Otvory přístroje vždy udržujte od prachu, vlasů a jiných cizích látek, které by mohly snížit proudění vzduchu. Zařízení nepoužívejte, pokud jsou otvory zanesené.
- Příklad používejte pouze v prostorách s řádným osvětlením.
- Tento stroj není určen k použití osobami (včetně dětí) se sníženými fyzickými, smyslovými nebo mentálními schopnostmi nebo s nedostatkem zkušeností a znalostí.
- Pokud je přístroj používán v blízkosti dětí, je nutná zvýšená pozornost.
- Děti by měly být pod dozorem, aby si s přístrojem nehrály.
- Při použití tohoto stroje dávejte pozor, abyste někoho nezranili či nepoškodili okolní předměty.
- Čištění a údržbu stroje nesmí provádět děti bez dozoru.
- Obsluhu je nutno řádně poučit o použití těchto strojů.
- V oblastech, kde je pravděpodobné, že operátor může být zasažen padajícími předměty, nepoužívejte stroj bez systému ochrany před padajícími předměty (falling object protective structure - FOPS).

POPIS PŘÍSTROJE

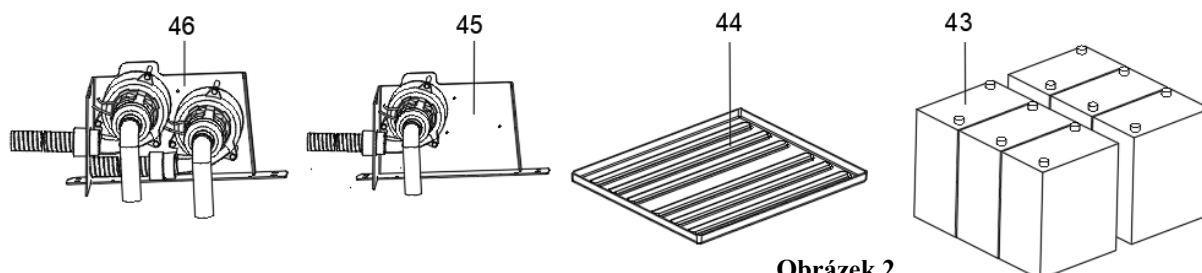
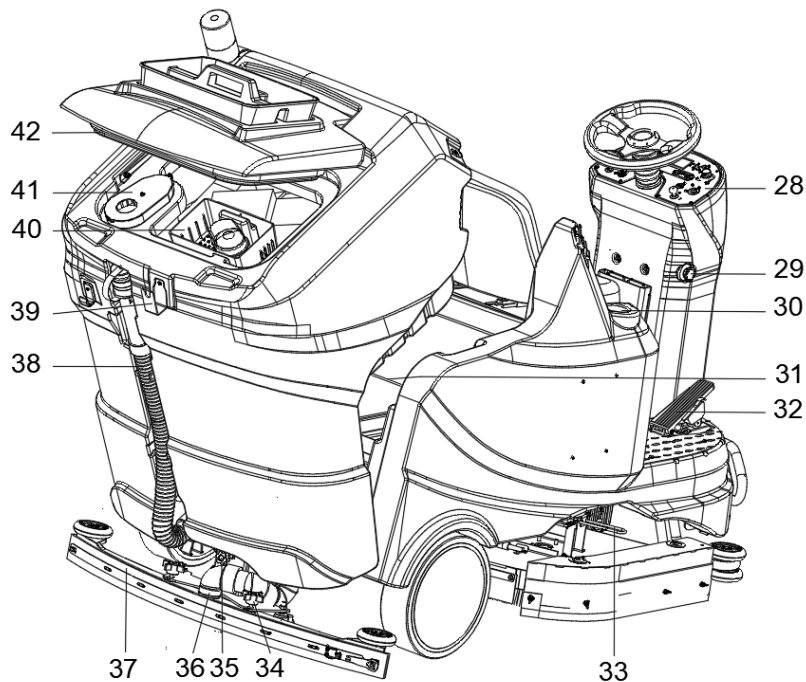
KONSTRUKCE PŘÍSTROJE* - volitelné

1. Volant
2. Sedadlo, nastavitelné (s bezpečnostním spínačem)
3. Výstražná kontrolka
4. Servisní nosič (*)
5. Víko nádrže na obnovu vody
6. Hák
7. Západka (x2)
8. Nádrž na obnovu vody
9. Kryt filtru
10. Držák hadičky filtru
11. Držák filtru
12. Nádrž s čistícím prostředkem
13. Trubice indikace hladiny vody
14. Hnací kola (s mechanickou brzdou)
15. Boční protipostříkové kryty
16. Montáž kartáče
17. Čerpadlo
18. Kola nárazníku
19. Kryt vypouštěcí nádrže roztoku
20. Přední kola
21. Přední světla
22. Filtr roztoku
23. Přední nárazník
24. Uzavírací ventil roztoku
25. Pedál mechanické brzdy
26. Vnitřní kryt úložiště
27. Nabíjecí port USB



Obrázek 1

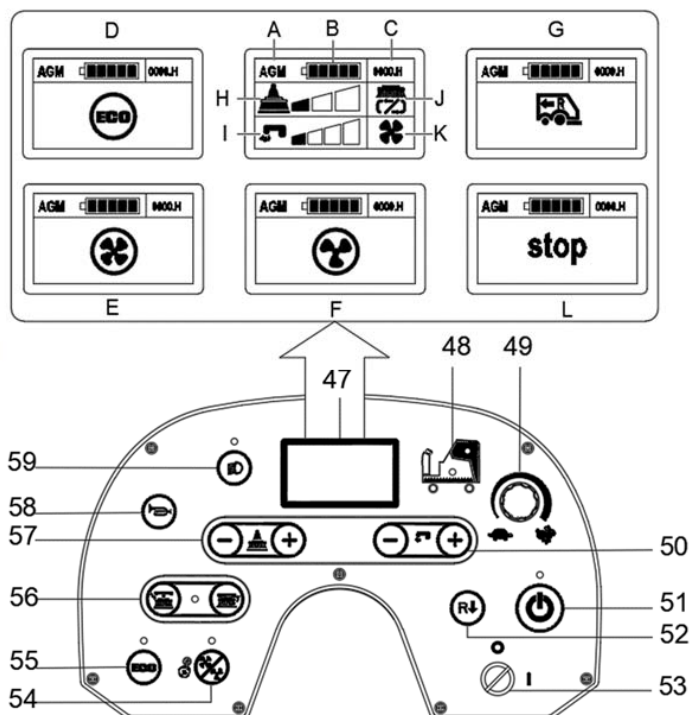
28. Ovládací panel
29. Nouzové tlačítko
30. Držák na nápoj
31. Nosný kabel sběrné nádrže
32. Pedál akceleratoru
33. Zastavení instalace ovladače kartáče/kotouče
34. Knoflíky sací trysky
35. Regulační kolečko k vyrovnání stěrky
36. Sací trubice
37. Sací tryska
38. Vypouštěcí hadice nádrže na obnovu vody
39. Háček stěrky
40. Jednotka pro sběr nečistot
41. Filtr podtlakového sání
42. Těsnění krytu nádrže
43. Baterie (nepoužívá se)
44. Zásobník na baterie (*)
45. Vakuový systém
46. Duální sací systém (*)



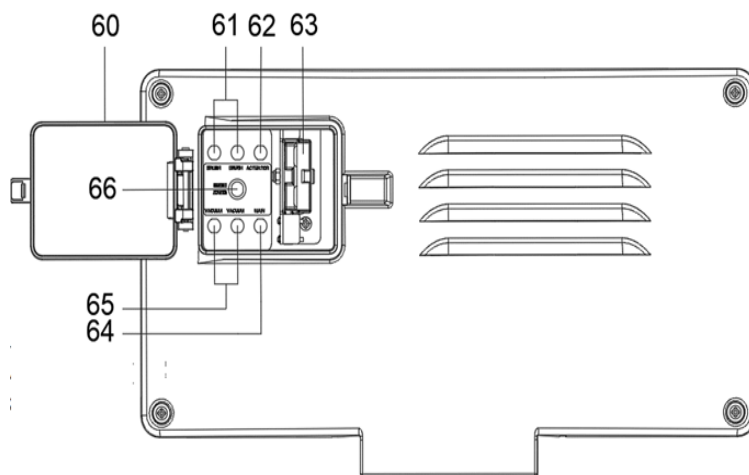
Obrázek 2

OVLÁDACÍ PANEL (dle vyobrazení)

47. Multifunkční displej
Zobrazené položky:
A) Typ baterie
B) Úroveň nabití baterie
C) Počet hodin provozu
D) Režim ECO
E) Normální režim sání
F) Tichý režim sání
G) Režim zpátečky
H) Aktivní zvýšený tlak
I) Množství průtoku roztoku čisticího prostředku
J) Režim práce kartáče
K) Režim sání
L) Bezpečnostní vypínač sedadla vypnutý
48. Nádrž na obnovu vody je plná/ Indikátor prázdné nádrže roztoku
49. Ovladač regulátoru rychlosti
50. Tlačítka nastavení průtoku čisticího prostředku
51. Zapnutí pomocí jednoho tlačítka
·LED dioda výše uvedené funkce tlačítka aktivní systém průtoku vody (úroveň 2)
tlak na minimum (úroveň 1)
normální sací systém
52. Tlačítko přepínání vpřed-zpět
53. Klíček zapalování (0=ZAP – I=VYP)
54. Tlačítko nastavení sacího systému (aktivujete stiskem tlačítka na 1 sekundu)
LED dioda svítí – normální režim
·LED dioda bliká – tichý režim
55. Tlačítko režimu ECO
·LED dioda výše uvedené funkce tlačítka aktivní
·průtok vody na minimum (úroveň 1)
Sání v tichém režimu
56. Zapnutí/vypnutí držáku kartáče/kotouče
LED bliká - klikněte na aktivováno
57. Tlačítka nastavení tlaku kartáče
58. Tlačítko houkačky
59. Tlačítko předního světla
60. Kryt zástrčky nabíječky
61. Ochrana proti přetížení motoru kartáčů (30 A)
62. Ochrana proti přetížení motoru zdviže (3 A)
63. Zástrčka nabíječky
64. Ochrana proti přetížení hlavního řídicího obvodu (5 A)
65. Ochrana proti přetížení motoru/motorů sání (30 A)
66. Ochrana proti přetížení zdvihacího zařízení stěrky (3A)



Obrázek 3



Obrázek 4

TECHNICKÉ PARAMETRY

Typ parametru	AS1050R
Napětí	36 V
Nominální výkon (VSTUP)	125 A/4500 W
Třída ochrany IP	IP24
Kapacita nádrže s čisticím prostředkem	200 l/53 Gal.
Kapacita nádrže na obnovu vody	200 l/53 Gal.
Šířka čištění	980mm/35,58 palců
Průměr kartáče/podložky	508 mm x 2 /20 palců x 2
Přítlak kartáče/podložky (max.)	90 kg / 198 lb
Příkon motoru kartáče (VSTUP)	2 X 1000 W/2 X 1,3 HP
Rychlost kartáče v normálním režimu	240 ot./min.
Rychlost kartáče v režimu ECO	175 ot./min.
Průtok čisticího roztoku (max.) na jedno nastavení/minutu	(1,6/2,3/3,3/4,6) litrů/ 0,42/0,61/0,87/1,22 gal
Hladina akustického tlaku (jeden motor sání)	72 ± 3 dB (A)
Hladina akustického tlaku (dva motory sání) (*)	75 ± 3 dB (A)
Hladina hlučnosti tlaku v režimu ECO nebo v tichém režimu	69 ± 3 dB (A)
Výkon motoru sání	600 W / 0,8 hp
USB nabíjení	5 V 2,4 A MAX.
Produktivita (max.)	7840 m ² /h/84389 ft ² /h
Pracovní rychlost	0 – 8 km / 0 – 5 mil za hodinu
Rychlost pohybu vpřed	0 – 8 Km / 0 – 5 mil za hodinu
Rychlost pohybu vzad	0 – 5 Km / 0 – 3,1 mil za hodinu
Výkon motoru pojezdu (VSTUP)	1600 W / 2,1 hp
Min. otočení v uličce	2650mm/104 palců
Kapacita jízdy do svahu (max.) při přepravě	20%
Kapacita jízdy do svahu (max.) při práci	16%
Průměr hnacího kola	340mm/13,4 palců
Specifický tlak hnacího kola na podlahu	0,68 N/mm ²
Průměr předního kola	250 mm/10 palců
Specifický tlak předního kola na podlahu	0,62 N/mm ²
Míra vibrační rukojeti (max.)	< 2,5 m/s ²
Velikost prostoru na baterie bez zásobníku (D x Š x H)	(680 x 560 x 450) mm / 26,7 x 22 x 17,7 palců
Velikost prostoru na baterie se zásobníkem (D x Š x H)	(665x550x430) mm / 26.1 x 21.6 x 16.9 palců
Délka stroje bez předního nárazníku	1875mm/73,8 palců
Šířka přístroje bez stěrky	1077mm/42,4 palců
Výška přístroje	1350 mm/53 palců
Výška přístroje(S chráničem nad hlavou)	1955 mm/77 palců
Hmotnost přístroje s prázdnými nádržemi (bez baterií)	398 Kg / 853,6 Lb
Hrubá hmotnost přístroje	870 Kg / 1914 Lb
Hrubá hmotnost přístroje(S chráničem nad hlavou)	897 Kg / 1973 Lb
Hmotnost při doručení	490 Kg / 1078 Lb
Rozměry balení (D x Š x V)	(2110 x 1220 x 1535 mm) / (83 x 48 x 60,4 palců)

(*) : Volitelné

PROVOZNÍ PŘÍRUČKA

**VAROVÁNÍ!**

Na některých místech jsou na přístroji lepicí štítky označující:

- NEBEZPEČÍ!
- VAROVÁNÍ!
- UPOZORNĚNÍ!
- DOPORUČENÍ

Při čtení této příručky musí obsluha přístroje věnovat pozornost symbolům na štítkách. Tyto štítky za žádných okolností nezakrýváte a v případě jejich poškození je ihned vyměňte.

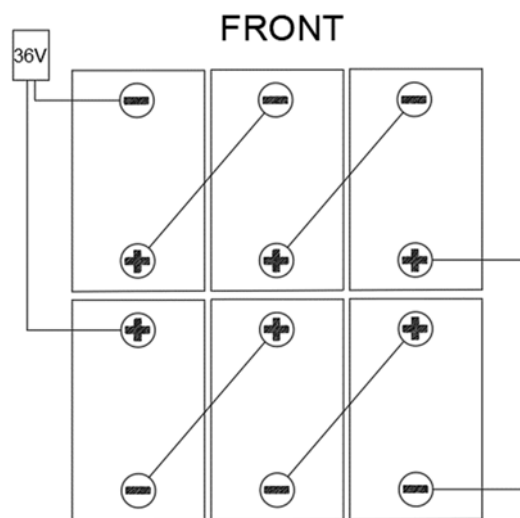
KONTROLA/NASTAVENÍ BATERIÍ NA NOVÉM PŘÍSTROJI

**VAROVÁNÍ!**

Elektrické součásti přístroje se mohou vážně poškodit, pokud jsou baterie buď nesprávně vloženy, nebo připojeny. Vložení baterií musí provádět pouze kvalifikované osoby. Nastavení typu baterie postupem popsáním dále podle typu použitých baterií (MOKRÉ či GELOVÉ/AGM/DIS/ENE). Před vložení baterií se ujistěte, že baterie nejsou poškozené. Odpojte konektor baterie a zástrčku nabíječky baterie. S bateriemi zacházejte opatrně. Nasadte ochranné kryty kontaktů baterie dodávané s přístrojem.

**POZNÁMKA**

Stroj vyžaduje šest 6V baterií připojených a nainstalovaných v polohách zobrazených na obrázku 5.



Obrázek 5

Baterie jsou již ve stroji nainstalovány

1. Ujistěte se, že je připojen konektor baterie.
2. Při prvním použití stroje s novými bateriemi proveďte úplný cyklus nabíjení (viz postup v kapitole „Údržba“).

Bez baterií

1. Kupte si vhodné baterie (viz odstavec „Technické údaje“). Ohledně výběru a instalace baterií se obraťte na kvalifikované prodejce baterií.
2. Podle typu baterie proveďte nastavení níže uvedeným způsobem.

VLOŽENÍ BATERIÍ A NASTAVENÍ TYPU BATERIÍ (MOKRÉ/ GELOVÉ/ AGM/ DIS/ ENE)**Vložení baterií**

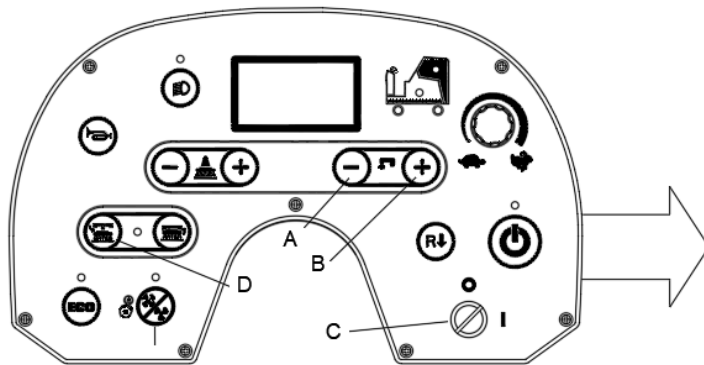
1. Otevřete levou a pravou západku (7, Obrázek 1).
2. Otevřete kryt nádrže na obnovu vody (5, Obrázek 1) a ujistěte se, že je nádrž (8, Obrázek 1) prázdná; v opačném případě ji pomocí vypouštěcí hadičky vyprázdněte (38, Obrázek 2).
3. Zavřete kryt nádrže na obnovu vody (5, Obrázek 1).
4. Opatrně zvedněte nádrž na obnovu vody (8, Obrázek 1).
5. Odpojte kabel nádrže na obnovu vody a vyjměte celou sestavu sběrné nádrže.
6. Demontujte jeden šroub otočného kabelu nádrže na obnovu vody (31, Obrázek 2) a otočte zpět.
7. Vyšroubujte čtyři šrouby na spodní straně nádrže na obnovu vody.
Přístroj se dodává s kabely vhodnými k instalaci šesti 6V baterií. Pečlivě vložte baterie do přihrádky na baterie, poté je správně nainstalujte, jak znázorňuje Obrázek 5. Správně instalujte pevnou desku baterie.
8. Ved'te a nainstalujte kabely baterie podle obrázku 5, poté pečlivě utáhněte matici na každém kontaktu baterie.

9. Nasaďte ochranný kryt na každý kontakt, poté připojte konektor baterie I přístroji.
10. Sestavte celý modul nádrže na obnovu vody v opačném pořadí kroků demontáže.
11. Opatrně spusťte nádrž na obnovu vody dolů.

Nastavení typu baterie (MOKRÁ/GELOVÁ/AGM/DIS/ENE)

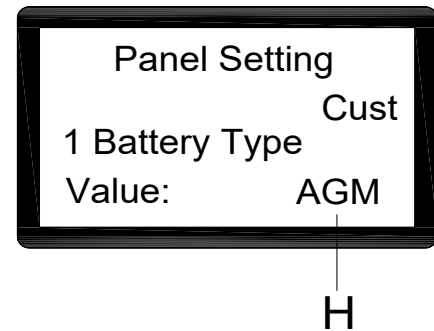
Přístup k výběru režimu baterie

Podle typu baterií (MOKRÉ/ GELOVÉ/ AGM/ DIS/ENE) nastavte stroj následujícím způsobem:



Obrázek 6

Access to select battery mode



H

1. Současně stiskněte tlačítko průtoku vody "-" (A, Obrázek 6) a "+" (B, Obrázek 6).
2. Vložte klíč zapalování (C, Obrázek 6) a otočte ho do polohy „I“.
3. O několik sekund později vstoupíte na obrazovku výběru režimu baterie (obrázek 6).
4. Stiskněte tlačítko průtoku vody "-" (A, Obrázek 6) a "+" (B, Obrázek 6) a vyberte režim baterie (H, Obrázek 6).
5. Stiskněte uvolňovací tlačítko (D, obrázek 6), O 3 sekundy později se zobrazí „Aktualizace OK“, což znamená, že nastavení bylo úspěšné. Přístroj restartujte. (C, Obrázek 6).

Nabíjení baterií

Zcela nabijte baterie (viz postup v kapitole „Údržba“).

Vybití baterie

Když je indikátor baterií plný (G, Obrázek 7), baterie jsou plně nabité. Když je úroveň nabití baterie nízká (H, Obrázek 7), je nutné baterie dobít. Několik sekund poté, co se zobrazí stav nízké úrovně nabití baterie, se motory kartáče automaticky vypnou, zatímco hnací systém zůstane zapnutý. Ihned přístroj přesuňte na místo určené pro dobíjení.



Obrázek 7

INSTALACE A DEMONTÁŽ DRŽÁKU KARTÁČE/PODLOŽKY



POZNÁMKA

Nainstalujte buď držák kartáče (A, Obrázek 8) nebo podložky (B a C, Obrázek 8) podle typu podlahy, která se má čistit.



UPOZORNĚNÍ!

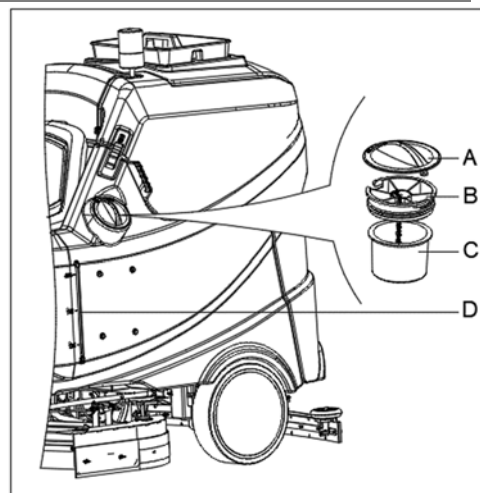
Před instalací či demontáží kartáče či držáku podložky se ujistěte Odstranění:, že všechny spínače na přístroje jsou vypnuté (v poloze "off") a sací tryska je zvednutá od podlahy. Obsluha musí být vybavena vhodnými ochrannými prostředky, jako jsou rukavice, za účelem snížení rizika poranění.

PLNĚNÍ NÁDRŽE S ČISTICÍM PROSTŘEDKEM

1. Otevřete kryt přívodu vody (A, Obrázek 11).
2. Skrz otvor přívodu vody s filtrem naplňte vodou nebo příslušným čisticím přípravkem.
Teplota čisticího přípravku nesmí přesáhnout +104 F (+40°C).
3. Nádrž nepřepĺňujte, řiďte se indikátorem hladiny vody (D) pro objem vody.

**VAROVÁNÍ!**

Používejte pouze nízce pěnicí a nehořlavé čisticí prostředky určené pro automatické mycí stroje.



Obrázek 11

KONTROLA HNACÍHO MOTORU A MECHANICKÉ BRZDY

1. Otočte klíčkem v zapalování (A, Obrázek 12) do polohy "I", posad'te se na sedadlo (C).
2. Lehce sešlápnete pedál plynu (D), poté ho uvolněte a zkontrolujte, zda lze s přístrojem jet dopředu a zda ho lze zastavit.
3. K zajištění bezpečnosti se ujistěte, že přístroj lze ihned zastavit stisknutím nouzového tlačítka (B). Pro resetování nouzového tlačítka jím otočte.
4. Rychlým stiskem pedálu mechanické brzdy (F) zkontrolujte, zda lze stroj okamžitě zastavit.

**VAROVÁNÍ!**

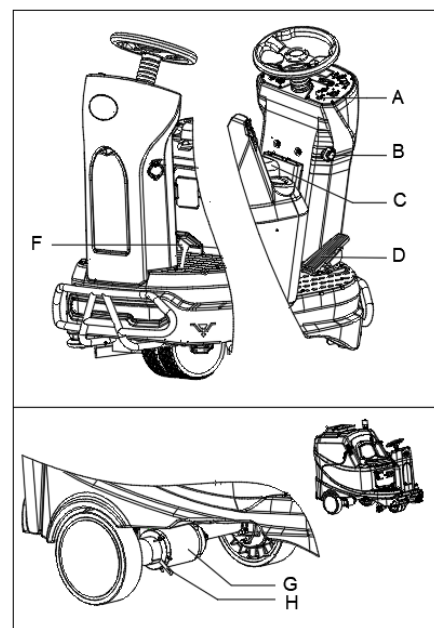
Pracovní kapacita jízdy do svahu nesmí překročit 16 %. Při práci na svahu musí být zajištěny západky nádrže (7 obrázek 1). Z bezpečnostních důvodů ji nikdy nezastavujte na svahu.

Při stoupání na svah s maximálním sklonem 20 % upravte předem potenciometr omezovače rychlosti do polohy maximální rychlosti. Při stoupání po svahu sešlápnete pedál akcelérátoru na maximum.

Při čištění ve svahu s maximálním sklonem 16 % nastavte předem potenciometr omezovače rychlosti do polohy maximální rychlosti. Pokud se na displeji zobrazí „Error 4, Tra Overload“, nastavte tlak kartáče na nejnižší hodnotu.

Pokud zjistíte, že rychlost stroje se při stoupání na svah klesá a blíží se stavu zastavení, a na displeji se zobrazí „Error 4, Tra Overload“, okamžitě uvolněte pedál akcelérátoru a sešlápnete mechanickou brzdou.

Pokud se během stoupání na svah zobrazí „Error 4, Tra Overload“, okamžitě zastavte a sešlápnete mechanickou brzdou, otočte klíčovým spínačem do polohy vypnuto a poté otočte klíčem, abyste restartovali a ukončili stoupání. Upravte potenciometr omezovače rychlosti do polohy nízké rychlosti a poté stiskněte tlačítko dozadu, uvolněte mechanickou brzdou a jemně šlápnete na akcelérátor, aby se stroj mohl pomalu pohybovat dozadu, dokud nedosáhne nižšího sklonu.



Obrázek 12

**POZOR!**

Brzda hnacího motoru je uvolněná, pokud motor pracuje normálně; je-li motor vypnutý, zablokuje se. V některých zvláštních případech, jako je balení/vybalování stroje, porucha stroje atd., může být nutné na stroj zatlačit. Na hnacím motoru (G, Obrázek 12) zatlačte rukojeť brzdy dolů (H, Obrázek 12), brzda stroje se uvolní a strojem lze pohybovat. Po dokončení vytáhněte rukojeť zpět, aby stroj mohl pracovat.

SPUŠTĚNÍ A ZASTAVENÍ PŘÍSTROJE**Spuštění přístroje**

1. Připravte přístroj podle pokynů v předchozím odstavci.
 2. Posad'te se na sedadlo (K, Obrázek 13), zasuňte klíček do zapalování (J, Obrázek 13) a otočte jím do polohy "I". Na obrazovce displeje zkontrolujte stav baterií. Je-li to třeba, zcela nabijte baterie (viz postup v kapitole „Údržba“).
 3. Přejeďte přístrojem do pracovního prostoru.
- Směr vpřed/vzad lze ovládat spínačem (H, Obrázek 13). Rychlost jízdy vpřed lze upravit pomocí regulátoru (E, Obrázek 13).

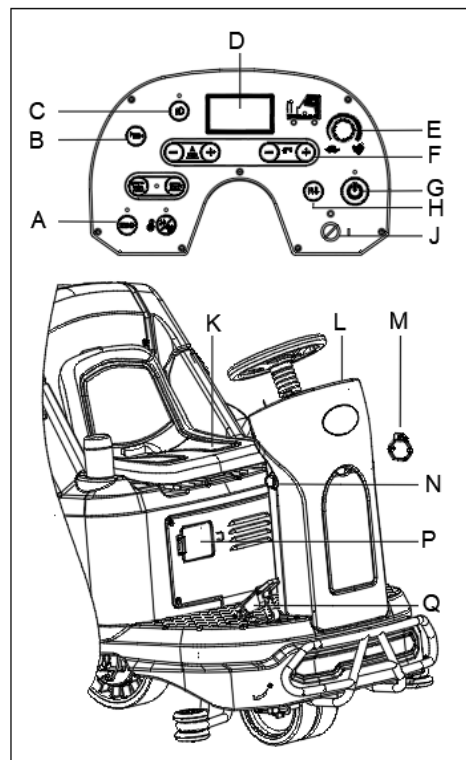
4. Stisknutím tlačítka funkce zapnutí pomocí jednoho tlačítka (G, Obrázek 13) spusťte stroj, stěrka a kartáče se automaticky spustí dolů k podlaze a začne pracovat vysavač.
5. Stiskněte spínače řízení toku čisticího prostředku (F, Obrázek 13) podle potřeby a podle typu prováděného čištění.
6. Stiskněte pedál akceleratoru (Q, Obrázek 13) a začněte s čištěním.
7. Je-li klíček v zapalování (J, Obrázek 13) otočen do polohy "I", můžete si prostřednictvím USB nabíjecího portu (M, Obrázek 13) nabít svůj telefon či tablet.
8. Kdykoli je třeba varovat osoby v okolí, stiskněte tlačítko houkačky (B, Obrázek 13).
9. V případě potřeby lze stroj nouzově zastavit stisknutím nouzového tlačítka (N, Obrázek 13).
10. V případě potřeby stiskněte tlačítko předních světel (C, Obrázek 13) na tmavých místech nebo k varování chodců.
11. V případě potřeby nastavte sedadlo (K, Obrázek 13) otočením rukojeti vpravo u sedadla, pak posuňte sedadlo do správné polohy.

**POZNÁMKA**

OMotor kartáče, motor vysavače, hnací motor a řídicí obvod jsou chráněny chráničem proti přetížení (P, Obrázek 13). Pokud se aktivuje ochrana proti přetížení, neresetujte ji okamžitě, aniž byste zjistili hlavní příčinu, a ujistěte se, že motor před resetováním vychladl.

Zastavení přístroje

12. Uvolněte pedál akceleratoru (Q, Obrázek 13) a stroj se zastaví.
13. Stiskem tlačítka funkce zapnutí pomocí jednoho tlačítka (G, Obrázek 13) zastavte kartáče a vysavač. Kartáče a stěrka se automaticky zvednou od podlahy. Systém vysavače se po pár sekundách zastaví.
14. Otočte klíčkem v zapalování do polohy „0“.
15. Ujistěte se, že se přístroj nemůže samovolně pohybovat.



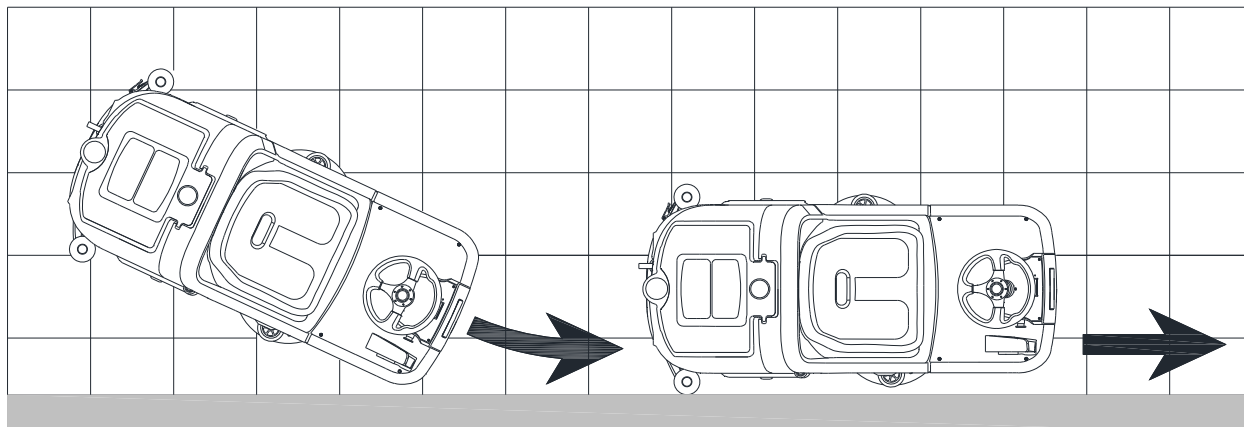
Obrázek 13

OBSLUHA PŘÍSTROJE (ČIŠTĚNÍ A VYSOUŠENÍ)

1. Spusťte přístroj podle pokynů v předchozích odstavcích.
2. Začněte s čištěním podle pokynů v odstavci „Spuštění přístroje“.
3. V případě potřeby přístroj zastavte a seřídte protipostříkové kryty podle pokynů v odstavci „Nastavení vyvážení bočních protipostříkových krytů“.
4. V případě potřeby přístroj zastavte a seřídte stěrku podle pokynů v odstavci „Seřízení vyvážení stěrky“.

**POZNÁMKA**

Pro správné čištění/sušení podlahy podél zdi. Podél zdi se doporučuje jet pravou stranou přístroje (obrázek 14), jak je znázorněno na obrázku.



Obrázek 14

VYPRÁZDNĚNÍ NÁDRŽE

Vyprázdnění nádrže na obnovu vody

Když se na multifunkčním displeji (47, Obrázek 3) zobrazí CHYBA 24 a rozsvítí se indikátor naplnění regenerační nádrže (48, Obrázek 3). Ukazuje, že sběrná nádrž (C, Obrázek 15) je plná, motor vysavače již nemůže vysušit podlahu. Nádrž na obnovu vody vyprázdněte následujícím postupem:

1. Zastavte přístroj.
2. Zvedněte jednotku držáku kartáče/podložky a stěrku stisknutím tlačítka funkce zapnutí pomocí jednoho tlačítka (51, Obrázek 3).
3. Přesuňte přístroj na určené místo pro vyprázdnění obsahu.
4. Nádrž na obnovu vody vyprázdněte hadičkou (D, Obrázek 15). Poté nádrž vypláchněte (C, Obrázek 15) čistou vodou.



UPOZORNĚNÍ!

Při vypouštění odpadní vody držte vypouštěcí hadici vysoko a přehněte ji přes horní část, aby nevytekla na obsluhu.

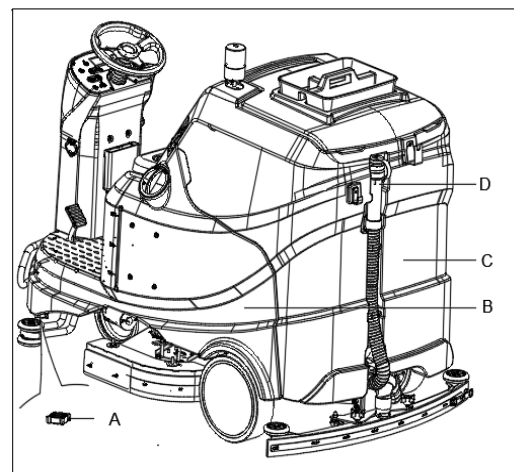
Vyprázdnění nádrže čisticího prostředku/čisté vody

1. Přes vypouštěcí otvor (A, Obrázek 15) vyprázdněte nádrž s čisticím prostředkem. Po práci nádrž vypláchněte čistou vodou.

PO POUŽITÍ PŘÍSTROJE

Po práci a před opuštěním přístroje:

1. Demontujte držáky kartáče/podložky stisknutím tlačítka uvolnění (56, Obrázek 3) a vyčistěte je.
2. Vyprázdněte nádrže (B a C, Obrázek 15), jak je popsáno v předchozím odstavci.
3. Proveďte denní úkony údržby (viz kapitola Údržba).
4. Uložte přístroj na čisté a suché místo, s držákem kartáče/podložky a se zvednutou sací tryskou nebo ji odstraňte.
5. Podpěrou víka nádrže na obnovu vody udržujte víko otevřené. Zabráňte tak vytváření a hromadění zápachu uvnitř.



Obrázek 15

SKLADOVÁNÍ STROJE BĚHEM DELŠÍ NEČINNOSTI

Pokud přístroj nebudete používat po dobu delší než 30 dní, postupujte následovně.

1. Proveďte postupy uvedené v odstavci Po použití přístroje.
2. Odpojte konektor baterie.

PRVNÍ OBDOBÍ POUŽÍVÁNÍ

Po prvních 8 hodinách zkontrolujte řádné utažení upevňovacích a spojovacích dílů a zkontrolujte opotřebení a možné poškození viditelných částí.

ÚDRŽBA



VAROVÁNÍ!

Úkony údržby se musí provádět po vypnutí přístroje a odpojení kabelu nabíječky baterií. Dále si v tomto návodu pozorně přečtěte kapitoly týkající se bezpečnosti.

Všechny postupy plánované nebo mimořádné údržby musí provádět kvalifikovaný personál či autorizované servisní středisko. Tento návod popisuje pouze obecné a běžné úkony údržby.

Další postupy údržby, které nejsou uvedeny v níže uvedené tabulce plánu údržby, si vyžádejte od našeho oddělení technické podpory.

TABULKA PLÁNOVANÉ ÚDRŽBY



UPOZORNĚNÍ!

Úkon označený (1) musí být proveden po prvních 8 hodinách použití přístroje. Úkon označený (2) musí provést servisní středisko kvalifikované naší společností.

Úkon	Každý den, po každém použití	Každý týden	Každých 6 měsíců	Každý rok
Nabíjení baterií				
Čištění sací trysky				
Čištění držáku kartáče/podložky				
Čištění nádrže				
Kontrola plochého těsnění nádrže				
Čištění jednotky na sběr nečistot				
Čištění kartáče/podložky				
Čištění protipostříkovacího krytu				
Kontrola a výměna chlopní sací trysky				
Čištění filtru nádrže s čisticím prostředkem				
Čištění filtru podtlakového sání				
Kontrola hladiny kapaliny MOKRÉ baterie				
Kontrola dotažení matic a šroubů			(1)	
Doplnění mazacího oleje na rotující části (například brzdová kapalina)			(1)	
Kontrola či výměna uhlíkového kartáče motoru kartáče				(2)
Kontrola či výměna uhlíkového kartáče motoru sání				(2)
Kontrola či výměna uhlíkového kartáče motoru hnacího systému				(2)

EINFÜHRUNG



VORSICHT!

Einige allgemeine und detaillierte Maschinendaten sind in dieser Anleitung nicht enthalten. Bitte schlagen Sie in der KURZANLEITUNG auf der mitgelieferten CD-ROM nach, die mittels Adobe® Reader® geöffnet werden kann.



HINWEIS

Die Ziffern in Klammern beziehen sich auf die Komponenten im Kapitel Beschreibung des Geräts.

ZWECK UND INHALT DER ANLEITUNG

Das vorliegende Bedienungshandbuch soll dem Bediener alle grundlegenden Informationen vermitteln und ihn mit den technischen Eigenschaften, dem Betrieb, dem Gerätestillstand, den Ersatzteilen sowie Sicherheitsbedingungen vertraut machen.

Vor jeglichem Geräteinsatz müssen sowohl Bediener als auch qualifizierte Techniker das vorliegende Bedienungshandbuch lesen. Wenden Sie sich in Zweifelsfällen bezüglich der Auslegung der Anweisungen oder für weiterführende Informationen an unser Unternehmen.

AUFBEWAHRUNG DIESES BEDIENUNGSHANDBUCH

Diese Gebrauchsanleitung muss in Gerätenähe in einem geeigneten Fach und geschützt vor Flüssigkeiten und anderen Substanzen, die sie beschädigen könnten, aufbewahrt werden.

KONFORMITÄTSERKLÄRUNG

Die Konformitätserklärung wird mit dem Gerät geliefert und zertifiziert, dass das Gerät den geltenden gesetzlichen Vorschriften entspricht.



HINWEIS

Die Kopien der Original-Konformitätserklärung werden zusammen mit den Geräteunterlagen zur Verfügung gestellt.

ERSATZTEILE UND INSTANDHALTUNG

Alle notwendigen Betriebs-, Wartungs- und Reparaturmaßnahmen dürfen nur von qualifiziertem Personal oder von einer von unserem Unternehmen bestellten Reparaturwerkstatt durchgeführt werden. Es dürfen AUSSCHLIESSLICH Original-Ersatzteile oder ausdrücklich genehmigte Ersatz- und Zubehörteile verwendet werden.

Kontaktieren Sie den Kundendienst unseres Unternehmens, wenn Sie eine Dienstleistung benötigen oder Zubehör- bzw. Ersatzteile erwerben möchten.

ÄNDERUNGEN UND VERBESSERUNGEN

Wir verpflichten uns zur kontinuierlichen Verbesserung unserer Produkte und behalten uns als Unternehmen das Recht vor, ohne Vorankündigung Änderungen und Verbesserungen an den Geräten vorzunehmen.

ANWENDUNGSBEREICH

Die Scheuersaugmaschine ist für gewerbliche und industrielle Zwecke vorgesehen. Sie eignet sich für die Reinigung von glatten und festen Böden und muss von der qualifizierten Person unter Beachtung aller Sicherheitsanweisungen betrieben werden. Sie eignet sich nicht für Reinigungsarbeiten in Außenbereichen oder von Teppichen und rauen Böden.

GERÄTEIDENTIFIKATIONS DATEN

Seriennummer und Modellname des Geräts befinden sich auf dem Typenschild.

Diese Informationen sind nützlich. Notieren Sie anhand der folgenden Tabelle die Geräteidentifizierungsdaten, wenn Ersatzteile für das Gerät erforderlich sind.

GERÄTEMODELL.....
GERÄTESERIENNUMMER.....

TRANSPORT UND VERPACKUNG

Stellen Sie bei Lieferung sicher, dass Verpackung und Gerät vollständig und unbeschädigt sind. Informieren Sie den Lieferanten vor der Warenannahme über irgendwelche beobachteten Schäden und behalten Sie sich das Recht eines Schadensersatzes vor.

Folgen Sie beim Auspacken des Geräts strikt den Anweisungen auf der Verpackung.

Überprüfen Sie die Verpackung, um sicherzustellen, dass folgende Artikel enthalten sind:

1. Technische Dokumentation - Bedienungsanleitung.
2. Akkuanschlusskomponenten.
3. Handbuch des elektronischen Akkuladegeräts (falls vorhanden) (*)

SICHERHEIT

Die folgenden Symbole zeigen gefährliche Situationen an. Lesen Sie diese Informationen immer sorgfältig durch und treffen Sie alle erforderlichen Vorkehrungen, um Personen und Eigentum zu schützen.

AUF DEM GERÄT SICHTBARE SYMBOLE



WARNUNG!

Lesen Sie alle Anweisungen sorgfältig durch, bevor das Gerät eingesetzt wird.



WARNUNG!

Das Gerät darf nicht direkt mit Wasser oder einem Wasserstrahl gereinigt werden.



WARNUNG!

Verwenden Sie das Gerät keinesfalls für Arbeiten auf geneigten Oberflächen mit einer Steigung, die die im Abschnitt Spezifikationen genannten Angaben überschreitet.

SYMBOLE, DIE AUF DEM BEDIENUNGSHANDBUCH ERSCHEINEN



GEFAHR!

Weist auf eine gefährliche Situation mit Todesgefahr für den Bediener hin.



WARNUNG!

Weist auf eine Verletzungsgefahr für Personen hin.



VORSICHT!

Bedeutet eine Aufforderung zur Vorsicht oder einen Hinweis auf wichtige oder nützliche Funktionen. Beachten Sie die mit diesem Symbol gekennzeichneten Absätze.



HINWEIS

Weist auf einen Hinweis bezüglich wichtiger oder nützlicher Funktionen hin.



NACHSCHLAGEN

Weist darauf hin, dass vor jeglichem weiteren Schritt das Bedienungshandbuch eingesehen werden muss.

ALLGEMEINER SICHERHEITSHINWEIS

Nachstehend finden Sie spezifische Vorsichts- und Warnhinweise hinsichtlich möglicher Geräte- und Personenschäden.

**GEFAHR!**

- Dieses Gerät darf nur von speziell ausgebildetem und autorisiertem Personal entsprechend den Vorgaben im Handbuch bedient werden.
- Vor der Durchführung von Reinigungs-, Wartungs-, Reparatur- oder Austauschmaßnahmen alle Anweisungen sorgfältig lesen und sicherstellen, dass das Gerät ausgeschaltet und der Akkustecker abgezogen sind.
- Das Gerät nicht in der Nähe giftiger, gefährlicher, brennbarer und/oder explosiver Pulver, Flüssigkeiten oder Dämpfe betreiben. Dieses Gerät ist nicht geeignet zum Auffangen gefährlicher Pulver.
- Tragen Sie beim Arbeiten in der Nähe elektrischer Komponenten keinerlei Schmuck.
- Arbeiten Sie keinesfalls unter dem angehobenen Gerät ohne dieses durch Sicherheitsständer abzustützen.
- Bleiakkus (NASS) können bei normaler Verwendung entzündliches Gas emittieren. Die Akkus müssen von Funken, Feuer, rauchenden und strahlenden Materialien sowie von leuchtenden und brennenden Gegenständen ferngehalten werden.
- Werden Bleibatterien (NASS) geladen, könnten sie explosionsfähiges Wasserstoffgas emittieren. Es ist sicherzustellen, dass die Ladeumgebung daher gut belüftet und frei von offenem Feuer ist.

**WARNUNG!**

- Dieses Gerät ist für die **GEWERBLICHE VERWENDUNG** in Hotels, Krankenhäusern, Fabriken, Geschäften, Büros und Vermietgeschäften bestimmt.
- Unbeaufsichtigt gelassene Geräte müssen gegen versehentliches Einschalten geschützt werden.
- Zur Vermeidung der unbefugten Benutzung des Geräts muss die Stromversorgung ausgeschaltet oder gesperrt werden, indem z. B. der Schlüssel des Hauptschalters oder der Zündschlüssel abgezogen werden.
- Das Gerät muss vor jedem Gebrauch sorgfältig überprüft werden. Vor Gebrauch sicherstellen, dass alle Komponenten ordnungsgemäß montiert wurden. Gelockerte Komponenten können Geräte- und Personenschäden zur Folge haben.
- Das Gerät darf keinesfalls durch Ziehen am Akku-Ladekabel bewegt werden. Das Kabel darf nicht durch eine geschlossene Tür geführt oder um scharfe Kanten oder Ecken verlaufen. Fahren Sie mit dem Gerät nicht über das Akku-Ladekabel. Das Akku-Ladekabel von heißen Oberflächen fernhalten.
- Die Akkus nicht aufladen, wenn das Akku-Ladekabel oder der Stecker beschädigt sind.
- Zur Verringerung der Brand-, Stromschlag- und Verletzungsgefahr sicherstellen, dass das Gerät ausgeschaltet ist, bevor es verlassen wird.
- Das Gerät muss in Innenbereichen und unter trockenen Verhältnissen verwendet und aufbewahrt werden. Es darf nicht in Außenbereichen verwendet werden.
- Die Lager- und Betriebstemperatur des Geräts liegt zwischen 0 °C und +40 °C. Die Luftfeuchtigkeit muss zwischen 30% - 95% liegen.
- Das Gerät keinesfalls auf geneigten Oberflächen mit einer die genannten Spezifikationen überschreitenden Steigung verwenden.
- Bei Verwendung und Handhabung von Bodenreinigungsmitteln die Anweisungen auf den Etiketten der Flaschen beachten, geeignete Schutzhandschuhe tragen und ggf. andere Schutzvorrichtungen verwenden.
- Die mitgelieferten oder in der Betriebsanleitung genannten Bürsten und Pads verwenden. Die Verwendung anderer Bürsten oder Pads könnte zur Beeinträchtigung der Sicherheit führen.
- Stellen Sie bei Fehlfunktionen des Geräts sicher, dass diese nicht auf einen Mangel an Wartung zurückzuführen sind. Fordern Sie falls erforderlich Unterstützung durch autorisiertes Personal oder ein autorisiertes Service-Center an.
- Treffen Sie alle erforderlichen Vorsichtsmaßnahmen, damit sich Haare, Schmuck und lose Kleidung nicht in den beweglichen Teilen des Geräts verfangen können.
- Verwenden Sie das Gerät nicht in besonders staubiger Umgebung.

- Das Gerät darf nicht direkt mit Wasser oder einem Wasserstrahl oder korrosiven Substanzen gereinigt werden.
- Vor allem dann, wenn Gegenstände hinunterfallen könnten, keinesfalls gegen Regale oder Gerüste stoßen.
- Flüssigkeitsbehälter nicht an das Gerät lehnen. Entsprechende Halterungen verwenden.
- Um eine Beschädigung des Bodens zu vermeiden, Bürste/Pad nicht betreiben, während das Gerät sich nicht fortbewegt.
- Im Brandfall einen Feuerlöscher mit Trockenlöschmittel verwenden. Keinesfalls Feuerlöscher mit flüssigem Löschmittel verwenden.
- Die Etiketten auf dem Gerät dürfen weder entfernt noch modifiziert werden.
- An den Schutzeinrichtungen des Geräts darf nicht herumgebastelt werden. Die geplanten Wartungsanweisungen müssen streng befolgt werden.
- Achten Sie während des Gerätetransports auf Temperaturen unter dem Gefrierpunkt. Das Wasser im Schmutzwassertank und den Schläuchen könnte gefrieren und schwere Geräteschäden verursachen.
- Müssen Teile ersetzt werden, nur Original-Ersatzteile von einem autorisierten Händler oder Einzelhändler bestellen.
- Wenden Sie sich an das Service-Center, wenn das Gerät nicht wie gewohnt funktioniert oder beschädigt ist.
- Um den ordnungsgemäßen und sicheren Gerätebetrieb zu gewährleisten muss die im entsprechenden Kapitel dieses Handbuchs geplante Wartung von autorisiertem Personal oder von einem autorisierten Vertreter oder Einzelhändler durchgeführt werden.
- Das Gerät muss ordnungsgemäß entsorgt werden, da sie toxische Schadstoffe (Akkus usw.) enthält, die eine Entsorgung in speziellen Zentren erforderlich machen (siehe Kapitel Entsorgung).
- Beim vorliegenden Gerät handelt es sich um eine Reinigungsmaschine, die ausschließlich für diesen Zweck geeignet ist.
- Halten Sie die Öffnungen frei von Staub, Haaren und anderen Fremdkörpern, damit der Luftdurchfluss nicht beeinträchtigt wird. Im Falle verstopfter Öffnungen darf das Gerät nicht verwendet werden.
- Verwenden Sie das Gerät nur bei angemessener Beleuchtung.
- Dieses Gerät ist nicht für den Gebrauch durch Personen (einschließlich Kindern) mit verminderten physischen, sensorischen oder mentalen Fähigkeiten oder mangelnder Erfahrung und Kenntnissen bestimmt.
- Wird ein Gerät in der Nähe von Kindern verwendet, ist besondere Achtsamkeit erforderlich.
- Kinder müssen beaufsichtigt werden, um sicher zu gehen, dass sie nicht mit dem Gerät spielen.
- Während des Gerätebetriebs muss darauf geachtet werden, keine Personen zu verletzen und keine Gegenstände zu beschädigen.
- Die Reinigung und Wartung dürfen keinesfalls von Kindern und ohne Aufsicht durchgeführt werden.
- Die Bediener müssen hinsichtlich der Verwendung dieser Geräte entsprechend eingeschult werden.
- Verwenden Sie die Maschine in Bereichen, in denen der Bediener mit einer gewissen Wahrscheinlichkeit von herabfallenden Gegenständen getroffen werden kann, niemals ohne Schutzbauten gegen herabfallende Gegenstände (FOPS).

GERÄTEBESCHREIBUNG

MASCHINENAUFBAU* - optional

1. Lenkrad
2. Sitz, einstellbar (mit Sicherheitsschalter)
3. Warnleuchte
4. Versorgungscaddy (*)
5. Schmutzwassertankdeckel
6. Haken
7. Verriegelung (x2)
8. Schmutzwassertank
9. Filterabdeckung
10. Filterschlauchhalter
11. Filterhalterung
12. Reinigungslösungstank
13. Wasserfüllstandsleitung
14. Antriebsräder (mit mechanischer Bremse)
15. Seitenspritzschutz
16. Bürstenvorrichtung
17. Pumpe
18. Prallschutzräder
19. Reinigungslösungsbehälter Ablassabdeckung
20. Vorderräder
21. Vorderleuchten
22. Reinigungslösungsfilter
23. Vorderer Prallschutz
24. Absperrventil für Reinigungslösung
25. Mechanisches Bremspedal
26. Innere Speicherabdeckung
27. USB-Ladeport
28. Bedienfeld
29. Notschalter
30. Becherhalter
31. Schmutzwassertank-Stützkabel
32. Beschleunigungspedal
33. Einbaustopp Bürsten-/Pad-Antrieb
34. Saugleisten-Einstellknöpfe
35. Stellschraube Saugleistenwinkel
36. Saugschlauch Verbindung zur Saugleiste
37. Abziehgummi
38. Schmutzwasserablaufschlauch
39. Saugleistenhaken
40. Grobschmutzkorb
41. Saugfilter
42. Tankdeckeldichtung
43. Akkus (k.A.)
44. Akkuhalter (*)
45. Vakuumsystem
46. Dual-Saugsystem (*)

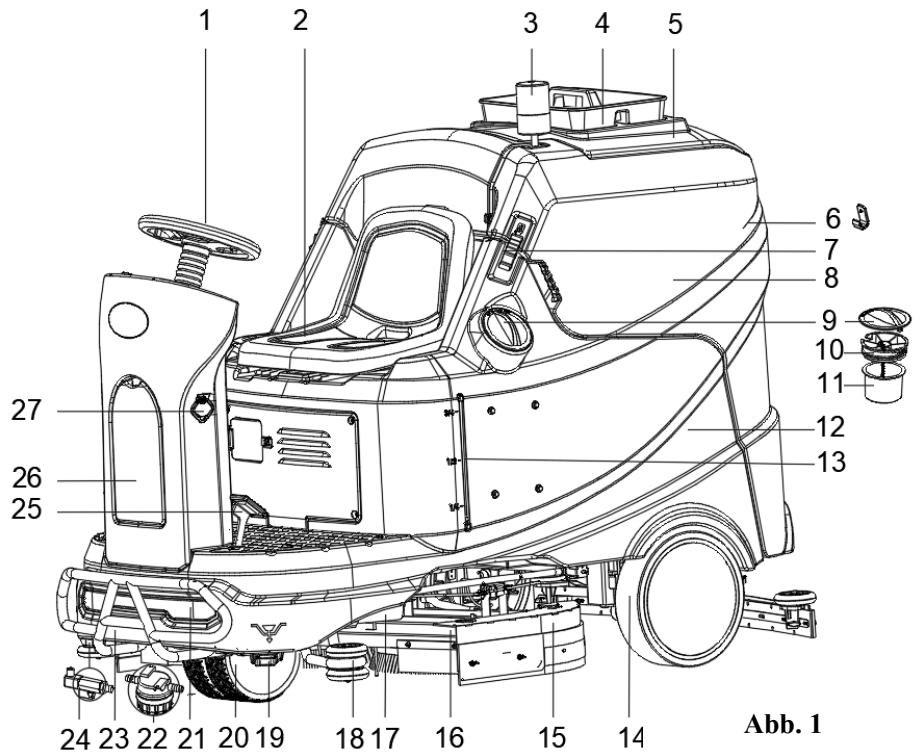


Abb. 1

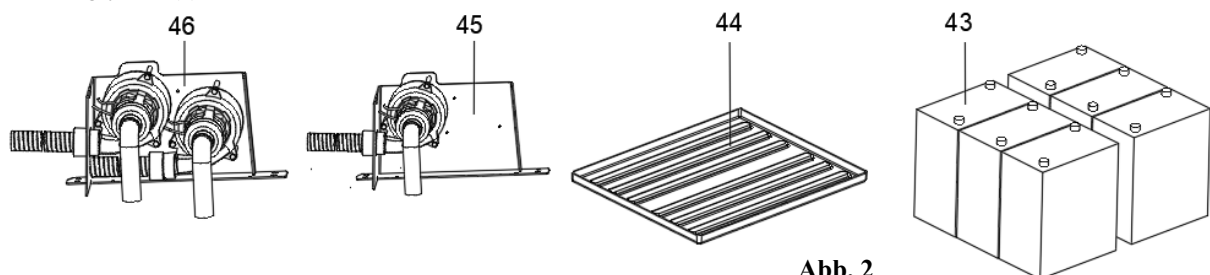
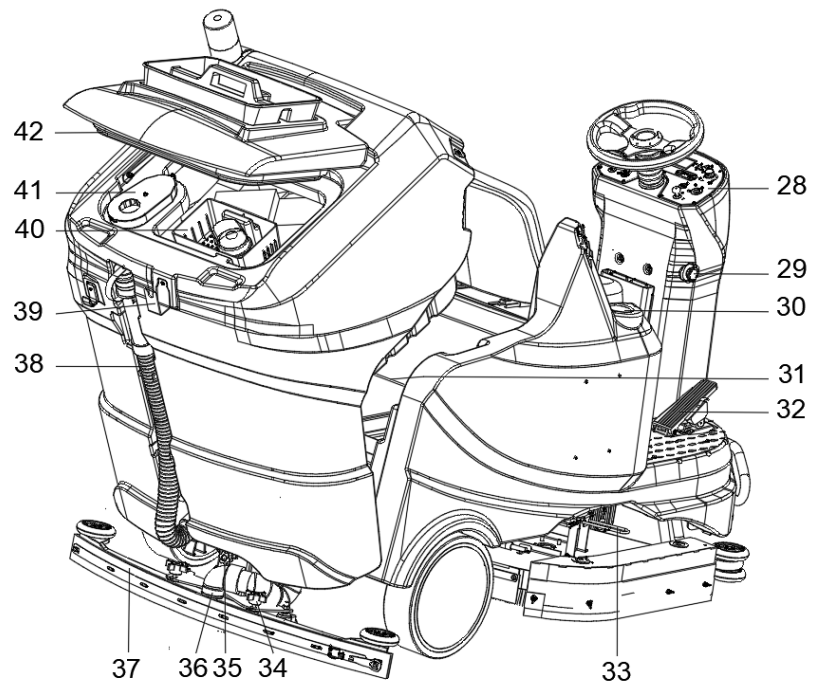


Abb. 2

BEDIENFELD (wie dargestellt)

- 47. Multifunktionsdisplay
Angezeigte Positionen:
A) Akkutyp
B) Akkuladestand
C) Arbeitsstunden
D) ECO-Modus
E) Normaler Vakuummodus
F) Ruhe-Vakuummodus
G) Umkehrmodus
H) Extradruck aktiv
I) Durchflussmenge Reinigungslösung
J) Bürstenarbeitsmodus
K) Vakuummodus
L) Abschaltung Sitzsicherheit
- 48. Anzeige Schmutzwassertank voll/ Reinigungslösungstank leer
- 49. Geschwindigkeit Einstellknopf
- 50. Einstelltasten Durchflussmenge Reinigungslösung
- 51. Ein-Tastenstart
LED an obiger Tastenfunktion aktiviert
Wassersystem (Stufe 2)
· Druck auf Mindeststufe (Stufe 1)
· Vakuumsystem normal
- 52. Vorwärts-Rückwärts-Taste
- 53. Zündschlüssel (0=AN I=AUS)
- 54. Vakuumsystem-Einstelltaste (Zur Aktivierung die Taste 1 Sekunde halten)
LED leuchtet bei-Normalmodus dauerhaft auf
· LED blinkt -Silent-Modus
- 55. ECO-Modustaste
LED an obiger Tastenfunktion aktiviert
· Wasserdurchfluss am Mindeststand (Stand 1)
· Druck auf Mindeststufe (Stufe 1)
Saugen im Silent-Modus
- 56. Bürsten-/Pad-Halter an-/abklicken
· LED blinkt - Anklicken aktiviert
- 57. Einstelltasten Bürstendruck
- 58. Hupentaste
- 59. Taste Vorderleuchte
- 60. Ladegerätsteckerabdeckung
- 61. Überlastschutz Bürstenmotor (30A)
- 62. Überlastschutz Bürstenanheber (3A)
- 63. Ladegerätstecker
- 64. Überlastschutz Hauptsteuerkreis (5A)
- 65. Überlastschutz Saugmotor(en) (30A)
- 66. Überlastschutz Saugleistenanheber (3A)

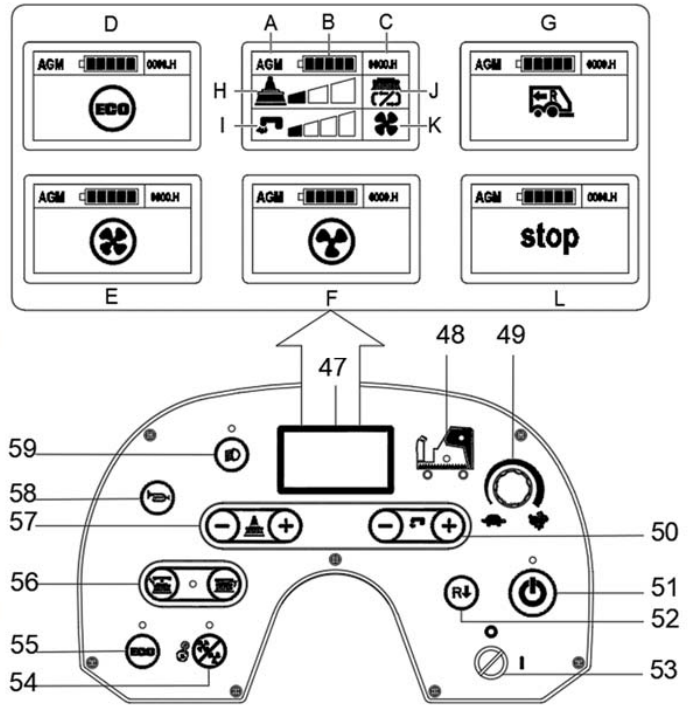


Abb. 3

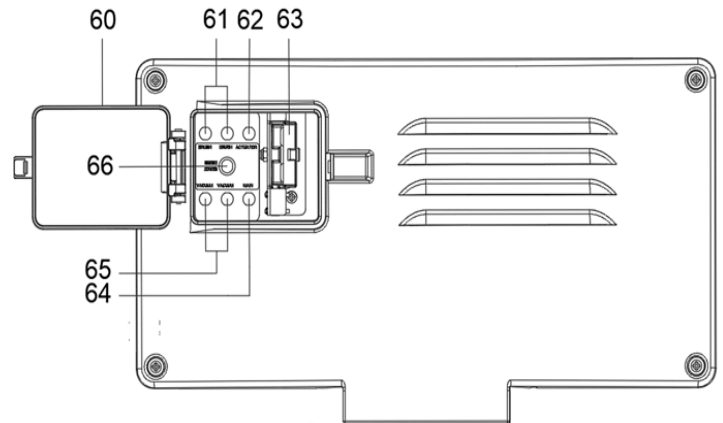


Abb. 4

TECHNISCHE ANGABEN

Parametertyp	AS1050R
Spannung	36 V
Nennleistung (EINGANG)	125A/4500W
IP-Schutzklasse	IP24
Fassungsvermögen Reinigungslösungstank	200L / 53 Gal
Fassungsvermögen Schmutzwassertank	200L / 53 Gal
Scheuerbreite	980mm/35,58 in.
Bürsten-/Pad-Durchmesser	508 mm x 2 /20 Zoll x 2
Bürsten-/Paddruck (max)	90 Kg/ 198 lbs.
Bürstenmotorleistung (EINGANG)	2 X 1000 Watt / 2 X 1,3 PS
Bürstendrehzahl im Normalmodus	240 U/min
Bürstendrehzahl im ECO-Modus	175 U/min
Reinigungslösungsdurchfluss (max) pro Einstellung/Minute	(1,6/2,3/3,3/4,6) Liter / 0,42/0,61/0,87/1,22 Gal
Schalldruckpegel (ein Saugmotor)	72 ± 3 dB (A)
Schalldruckpegel (zwei Saugmotoren) (*)	75 ± 3 dB (A)
Schalldruckpegel im ECO-Modus oder im Lautlos-Modus	69 ± 3 dB (A)
Saugmotorleistung	600 W / 0,4 PS
USB Aufladung	5V 2,4A MAX.
Produktivität (max)	7840 m ² /h/84389 ft ² /h
Arbeitsgeschwindigkeit	0 - 8 Km / 0 - 5 Meilen pro Stunde
Vorwärtsgeschwindigkeit	0 - 8 Km / 0 - 5 Meilen pro Stunde
Rückwärtsgeschwindigkeit	0 - 5 Km / 0 - 3,1 Meilen pro Stunde
Motorantriebsleistung (EINGANG)	1600 W / 2,1 PS
Min. Gangdrehung	2650mm/104 in
Steigfähigkeit (max) bei Transport	20%
Steigfähigkeit (max) bei Betrieb	16%
Antriebsraddurchmesser	340mm/13,4 in.
Spezifischer Druck des Antriebsrads auf den Boden	0,68 N/mm ²
Vorderraddurchmesser	250 mm/10 in.
Spezifischer Druck des Vorderrads auf den Boden	0,62 N/mm ²
Vibration am Griff (max)	< 2,5 m/s ²
Größe des Akkufachs ohne Halterung (L x B x H)	(680x560x450) mm / 26,7 x 22 x 17,7 in
Größe des Akkufachs mit Halterung (L x B x H) (*)	(665x550x430) mm / 26,1 x 21,6 x 16,9 in
Länge der Maschine ohne vorderen Prallschutz	1875mm/73,8 in
Gerätebreite ohne Saugleiste	1077mm/42,4 in
Maschinenhöhe	1350 mm/53 in.
Maschinenhöhe(Mit Schutzdach)	1955 mm/77 in.
Gerätengewicht mit leeren Tanks (ohne Akkus)	398 Kg/ 853,6 lbs.
Fahrzeugbruttogewicht (zGG)	870 Kg/ 1914 lbs.
Fahrzeugbruttogewicht (zGG) (Mit Schutzdach)	897 Kg/ 1973 lbs.
Versandgewicht	490 Kg/ 1078 lbs.
Verpackungsabmessungen (L x B x H)	(2110 x 1220 x 1535 mm) / (83 x 48 x 60,4in)

(*) : Optional

BEDIENUNGSANLEITUNG

**WARNUNG!**

An einigen Stellen des Geräts sind einige Aufkleber angebracht:

- GEFAHR!
- WARNUNG!
- VORSICHT!
- NACHSCHLAGEN

Beim Lesen dieses Handbuches muss der Bediener die auf den Schildern angezeigten Symbole beachten. Verdecken Sie diese Schilder keinesfalls und ersetzen Sie sie im Falle von Beschädigungen umgehend.

ÜBERPRÜFUNG/EINSTELLUNG DES AKKUS BEI EINER NEUEN MASCHINE

**WARNUNG!**

Die elektrischen Komponenten des Geräts können ernsthaft beschädigt werden, wenn die Akkus nicht ordnungsgemäß installiert oder falsch angeschlossen sind. Die Akkus dürfen nur von qualifiziertem Fachpersonal installiert werden. Stellen Sie den Akkutyp entsprechend dem unten angeführten Verfahren und gemäß dem Akkutyp (NASS- oder GEL-/AGM-/DIS/ENE-Akku) ein. Überprüfen Sie die Akkus vor der Installation auf Schäden. Trennen Sie den Akkuanschluss und ziehen Sie den Akkuladegerätstecker ab. Die Akkus mit großer Sorgfalt behandeln. Installieren Sie die mit dem Gerät mitgelieferten Schutzkappen des Akkuanschlusses.

**HINWEIS**

Die Maschine benötigt sechs 6V-Akkus, die an den in Abbildung 5 gezeigten Positionen angeschlossen und installiert werden.

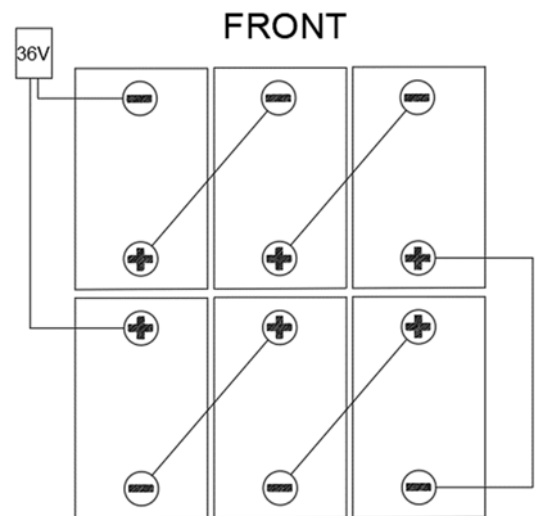


Abb. 5

Bereits auf der Maschine installierte Akkus

1. Stellen Sie sicher, dass der Akkusteckverbinder angeschlossen ist.
2. Führen Sie bei der ersten Verwendung der Maschine mit neuen Akkus einen vollständigen Ladezyklus aus (siehe das Verfahren im Wartungskapitel).

Ohne Akkus

1. Kaufen Sie geeignete Akkus (siehe Absatz "Technische Daten"). Wenden Sie sich für Auswahl und Installation an qualifizierte Akku-Einzelhändler.
2. Stellen Sie den Akkutyp entsprechend dem unten angeführten Verfahren ein.

AKKUISTALLATION UND EINSTELLUNG DES AKKUTYPS (NASS / GEL / AMG /DIS/ENE)**Einsetzen der Akkus**

1. Öffnen Sie die linken und rechten Verriegelungen (7, Abbildung 1).
2. Öffnen Sie den Deckel des Schmutzwassertanks (5, Abbildung 1), vergewissern Sie sich, dass der Schmutzwassertank (8, Abbildung 1) leer ist oder entleeren Sie ihn ggf. über den Ablaufschlauch(38, Abbildung 2).
3. Schließen Sie den Schmutzwassertankdeckel (1, Abbildung 1)
4. Heben Sie den Schmutzwassertank (8, Abbildung 1)
5. Trennen Sie das Schmutzwassertankkabel und entfernen Sie die gesamte Schmutzwassertankanlage.
6. Entfernen Sie eine Schraube des Schmutzwassertankkabels (31, Abbildung 2) und drehen Sie sie zurück.
7. Entfernen Sie die vier Schrauben am Boden des Schmutzwassertanks.

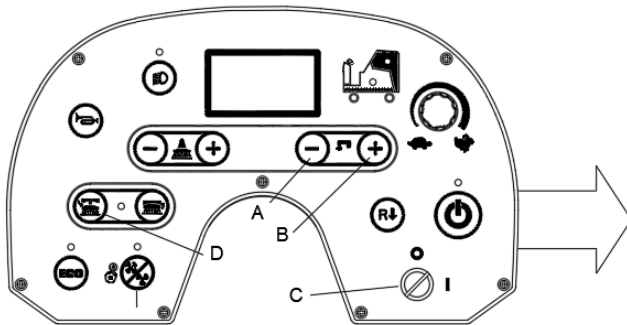
Das Gerät ist mit Kabeln ausgestattet, an die sechs 6V-Akkus angeschlossen werden können. Setzen Sie die Akkus vorsichtig und korrekt ausgerichtet in das Fach ein, wie in Abbildung 5 dargestellt. Legen Sie die feste Akkuplatte richtig ein.

8. Verlegen und installieren Sie das Akkukabel, wie in Abbildung 5 gezeigt, und ziehen Sie dann vorsichtig die Mutter auf jeder Akkuklemme an.

9. Versehen Sie jede Klemme mit einer Schutzkappe und schließen Sie den Akkustecker an.
10. Bauen Sie die gesamte Schmutzwassertankanlage wieder ein, indem Sie die Schritte des Ausbaus in umgekehrter Reihenfolge ausführen.
11. Senken Sie den Schmutzwassertank vorsichtig ab.

Akkutypeinstellung (NASS/GEL/AGM/DIS/ENE)
Erhalten Sie Zugang, um den Akkumodus auszuwählen

Stellen Sie entsprechend dem Akkutyp (NASS/GEL/AGM/DIS/ENE) die Maschine wie folgt ein:



Access to select battery mode

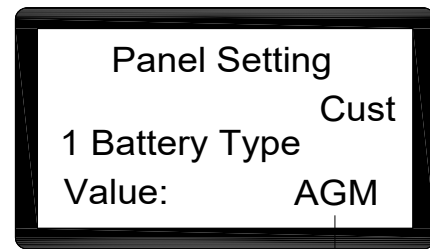


Abb. 6

1. Drücken Sie die Wasserdurchflusstaste „-“ (A, Abbildung 6) und gleichzeitig „+“ (B, Abbildung 6).
2. Stecken Sie den Zündschlüssel (C, Abbildung 6) ein und schalten Sie ihn auf „I“.
3. Gehen Sie einige Sekunden später zum Bildschirm des Akkuauswahlmodus (Abb. 6).
4. Drücken Sie die Wasserdurchflusstaste „-“ (A, Abbildung 6) und gleichzeitig „+“ (B, Abbildung 6), um den Akkumodus auszuwählen (H, Abbildung 6).
5. Drücken Sie die Entriegelungstaste (D, Abb. 6), Die Anzeige „Update OK“ nach 3 Sekunden bedeutet, dass die Einstellung erfolgreich war, starten Sie die Maschine neu. (C, Abbildung 6).

Laden der Akkus

Laden Sie die Akkus vollständig auf (siehe das Verfahren im Wartungskapitel).

Akkulentladung

Ist die Akkuanzeige voll (G, Abbildung 7), sind die Akkus voll aufgeladen. Wenn das Akkumuster niedrig ist (H, Abbildung 7), müssen die Akkus aufgeladen werden. Einige Sekunden nachdem ein niedriger Akkustand angezeigt wird, werden die Bürstenmotoren automatisch ausgeschaltet, während das Antriebssystem eingeschaltet bleibt. Fahren Sie die Maschine sofort zu dem vorgesehenen Aufladebereich.

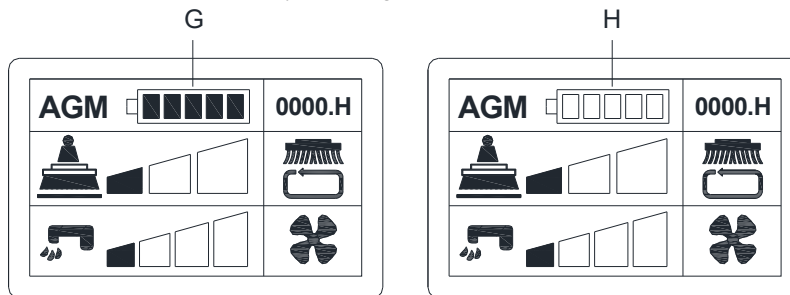


Abb. 7

INSTALLATION UND DEINSTALLATION DES BÜRSTEN-/PAD-HALTERS



HINWEIS

Installieren Sie entweder den Bürste- (A, Abbildung 8) oder den Pad-Halter (B und C, Abbildung 8) entsprechend der Art des zu reinigenden Bodens.



VORSICHT!

Vor dem Einbau oder Ausbau der Bürste oder des Kissens vergewissern Sie sich-, dass alle Schalter an der Maschine in der „AUS“-Stellung sind und das Abziehgummi vom Boden abgehoben ist. Der Bediener muss durch geeignete Arbeitsschutz-ausrüstungen ausgestattet sein, wie Handschuhe, um das Risiko von Unfällen zu reduzieren.

Gehen Sie wie folgt vor:

INSTALLATION:

1. Stecken Sie den Zündschlüssel (53, Abbildung 3) ein und schalten Sie ihn auf „I“. Heben Sie den Deckel.
2. Führen Sie die Bürsten- (A, Abbildung 8) oder Pad-Halter (B, Abbildung 8) unter die Abdeckung. Verwenden Sie den Bürsteneinbaustopp (D, Abbildung 8), um die richtige Position des Bürsten-/Pad-Halters zu finden.
3. Zur Installation des Bürsten-/Pad-Halters drücken Sie auf die Bürsten-/Pad-Halter-Auslösetaste (F, Abbildung 8), wobei der Bürsten-/Pad-Halter automatisch ausgelöst wird. Die Drehrichtung ist hier dargestellt (Abb. 8). Die LED-Kontrollleuchte blinkt.

AUSBAU:

1. Stecken Sie den Zündschlüssel (53, Abbildung 3) ein und schalten Sie ihn auf „I“. Achten Sie darauf, dass sich der Bürsten-/Pad-Halter in der angehobenen (UP-) Position befindet. Zum Entfernen des Bürsten-/Pad-Halters drücken Sie auf die Bürsten-/Pad-Halter-Auslösetaste (E, Abbildung 8), wobei der Bürsten-/Pad-Halter automatisch ausgelöst wird. Die LED-Kontrollleuchte leuchtet dauerhaft auf.

Wenn Sie die Taste „Bürste ausschalten“ und die Taste „Bürste einschalten“ drücken, müssen Sie den Zündschlüssel ausschalten und dann einschalten, sodass die Maschine wieder arbeiten kann.

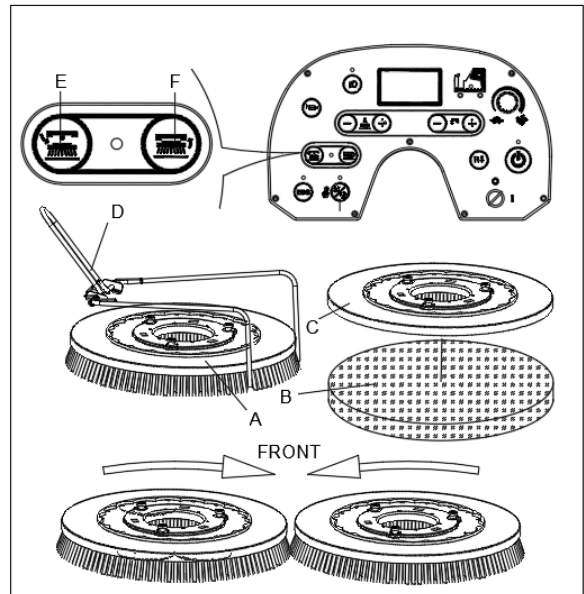


Abb. 8

EINSTELLUNG DES NIVEAUS DES SEITENSPRITZSCHUTZES

Die Spritzschutzhöhe muss beobachtet und eingestellt werden. Prüfen Sie während der Reinigung mit der Maschine die Funktion des Seitenspritzschutzes.

- A. Wenn die Spritzschutzvorrichtungen zu hoch sind, bleibt durch den Spalt zwischen dem Spritzschutz (D) und dem Boden in den Kurven Wasser auf dem Boden zurück.
- B. Wenn die Spritzschutzvorrichtungen zu niedrig sind, wird sich der Spritzschutz (D) zu sehr durchbiegen, sodass in den Kurven Wasser liegen bleibt und auch die Lebensdauer des Spritzschutzes verringert wird.
- C. Die richtige Einstellung liegt vor, wenn die Spritzschutzvorrichtungen von vorne nach hinten den Boden leicht berühren.

Das Einstellverfahren ist wie folgt:

1. Achten Sie darauf, dass sich das Deck in der angehobenen (UP-) Position befindet.
2. Lösen Sie die oberen Sicherungsmuttern (A) und entfernen Sie die Spritzschutzvorrichtung.
3. Die unteren Kontermuttern (B) nach oben/unten einstellen.
4. Bauen Sie die Spritzschutzvorrichtung wieder ein und überprüfen Sie die Einstellung.
5. Punkt 3 & 4 je nach Bedarf wiederholen, bis die Spritzschutzeinstellung korrekt ist.
6. Ziehen Sie die Kopfsicherungsmuttern (A) fest, um die Einstellung zu sichern.
7. Wiederholen Sie das Verfahren auf der anderen Seite des Spritzschutzes.

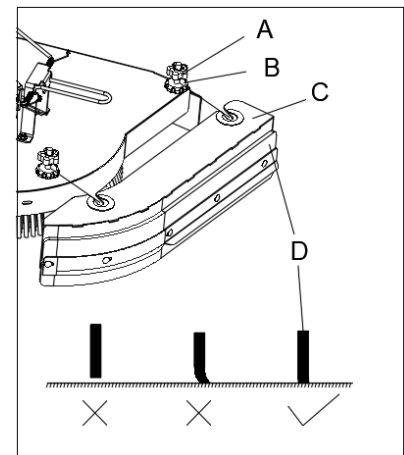


Abb. 9

EINSTELLUNG DES ABZIEHGUMMIS

1. Installieren Sie die Saugleiste und schrauben Sie die Mutter (C, Abbildung 10) nach oben. Schließen Sie nun den Saugschlauch (B) an die Saugleiste an.
2. Stellen Sie die Saugleiste über den Saugleisten-Einstellgriff (A) ein.
 - a) Bei einem Spalt zwischen dem Boden und dem hinteren Saugleistenblatt (E), den Knopf (A) im Uhrzeigersinn in Richtung (H) stellen, bis das gesamte hintere Saugleistenblatt guten Bodenkontaktaufweist und das vordere Blatt den Boden leicht berührt.
 - b) Bei einem Spalt zwischen dem Boden und den beiden Endabschnitten des hinteren Blattes (D und F), den Knopf (A) gegen den Uhrzeigersinn in Richtung (G) stellen, bis alle Abschnitte des hinteren Saugleistenblattes guten Bodenkontakt aufweisen und das vordere Blatt den Boden leicht berührt.

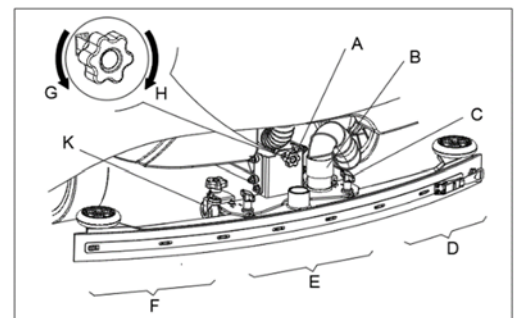


Abb. 10

Falls erforderlich, stellen Sie die gesamte Saugleistenhöhe über die Einstellung der Schwenkradhöhe (K) ein.

EINFÜLLEN DES LÖSUNGSMITTELTANKS

1. Öffnen Sie den Deckel des Wassereinlasses (A, Abbildung 11).
2. Füllen Sie sie für das durchzuführende Arbeitsergebnis mit dem Filter Wasser oder eine geeignete Lösung durch den Wassereinlass ein.
Die Temperatur der Lösung darf nicht mehr als +40 °C (+ 104 °F) betragen.
3. Überfüllen Sie den Tank nicht, kontrollieren Sie das Wasservolumen über die Wasserstandsanzeige (D).



WARNUNG!

Verwenden Sie nur schaumarme und nicht brennbare Reinigungsmittel, die für automatische Scheuersaugmaschinenanwendungen bestimmt sind.

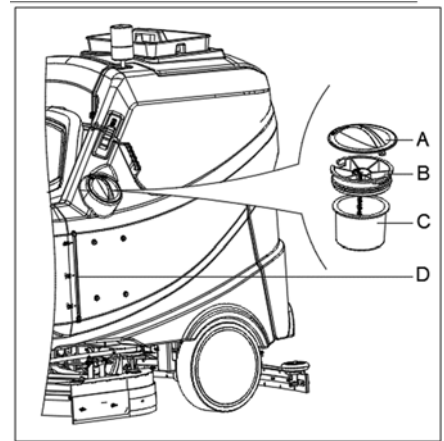


Abb. 11

ÜBERPRÜFUNG DES ANTRIEBSMOTORS UND DER MECHANISCHEN BREMSE

4. Drehen Sie den Zündschlüssel (A, Abb: 12) auf „I“ und setzen Sie sich auf den Sitz (C).
5. Drücken Sie das Beschleunigungspedal (D) leicht, lassen Sie es los, um zu prüfen, ob sich die Maschine nach vorne steuern lässt und stoppt.
6. Überprüfen Sie zur Sicherheit, dass die Maschine beim Drücken der Not-Aus-Taste (B) sofort gestoppt werden kann. Drehen Sie die Not-Aus-Taste, um diese zurückzusetzen.
7. Drücken Sie das mechanische Bremspedal (F) schnell durch, um zu überprüfen, ob die Maschine sofort angehalten werden kann.



WARNUNG!

Die Steigfähigkeit von 16% darf während des Betriebs nicht überschritten werden. Bei Arbeiten auf geneigtem Boden müssen die Tankverriegelungen (7, Abbildung 1) eingerastet bleiben. Aus Sicherheitsgründen niemals auf geneigtem Boden anhalten.

Wenn Sie eine Steigung mit einer Neigung von maximal 20 % hochfahren, stellen Sie das Potenziometer für die Geschwindigkeitsbegrenzung auf die Höchstgeschwindigkeit für die Vorwärtsfahrt ein. Drücken Sie das Gaspedal bis ganz nach unten, während Sie die Steigung hochfahren.

Stellen Sie das Potenziometer für die Geschwindigkeitsbegrenzung beim Schrubben auf einer Steigung mit einer Neigung von maximal 16 % auf die Höchstgeschwindigkeit für die Vorwärtsfahrt ein. Wird auf dem Display „Error 4, Tra Overload“ angezeigt, stellen Sie den Bürstendruck auf die niedrigste Einstellung ein.

Sollten Sie bemerken, dass die Maschinengeschwindigkeit während des Hochfahrens abnimmt, sodass Sie beinahe zum Stehen kommen, und zeigt das Display „Error 4, Tra Overload“ an, gehen Sie unverzüglich vom Gas und treten Sie auf die mechanische Bremse.

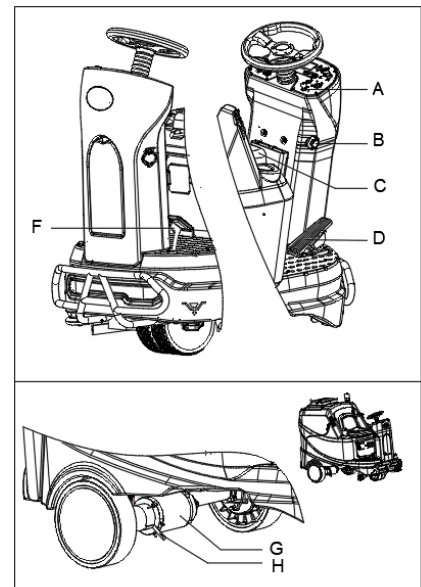


Abb. 12

Wird während der Aufwärtsfahrt „Error 4, Tra Overload“ angezeigt, bleiben Sie unverzüglich stehen und treten Sie auf die mechanische Bremse, drehen Sie den Schlüsselschalter auf Aus und schalten Sie dann die Taste für den Neustart ein und verzichten Sie auf die Aufwärtsfahrt. Stellen Sie das Potenziometer für die Geschwindigkeitsbegrenzung auf eine langsame Geschwindigkeit ein und drücken Sie dann die Rückwärtstaste, lösen Sie die mechanische Bremse und treten Sie vorsichtig auf das Gaspedal, sodass sich die Maschine langsam rückwärts bewegen kann, bis eine geringere Neigung erreicht wurde.



VORSICHT

Die Bremse des Antriebsmotors wird gelöst, wenn der Motor normal arbeitet, sie blockiert, wenn der Motor aus ist. In einigen speziellen Fällen, wie z.B. beim Ein-/Auspacken der Maschine, bei Maschinenfehlern etc., muss die Maschine verschoben werden. Drücken Sie am Antriebsmotor (G, Abbildung 12) den Bremsengriff (H, Abbildung 12) nach unten, die Maschinenbremse wird gelöst und die Maschine kann bewegt werden. Drücken Sie danach den Griff wieder nach oben, somit ist die Maschine wieder betriebsbereit.

STARTEN UND STOPPEN DES GERÄTS

Starten der Maschine

1. Bereiten Sie das Gerät entsprechend den Angaben im vorigen Absatz vor.

2. Setzen Sie sich auf den Sitz (K, Abbildung 13), stecken Sie den Zündschlüssel (J, Abbildung 13) ein und drehen Sie ihn auf „I“. Prüfen Sie den Status der Akkus am Displaybildschirm. Laden Sie die Akkus ggf. vollständig auf (siehe dazu das Verfahren im Kapitel Wartung).
3. Fahren Sie die Maschine zum Arbeitsbereich.
Die Vorwärts-/Rückwärtsfahrrichtung kann mit dem Schalter gesteuert werden (H, Abbildung 13). Die Fahrgeschwindigkeit kann mit dem Regler (E, Abbildung 13) eingestellt werden.
4. Drücken Sie die Sofortstart-Taste (G, Abbildung 13), um die Maschine zu starten, die Saugleiste und die Bürsten senken sich automatisch auf den Boden ab und der Saugmotor beginnt zu arbeiten.
5. Drücken Sie die Steuertasten für die Reinigungslösung (F, Abbildung 13) entsprechend der Art der durchzuführenden Reinigung.
6. Drücken Sie das Beschleunigungspedal (Q, Abbildung 13) und beginnen Sie mit der Reinigung.
7. Sie können Ihr Telefon oder Pad über den USB-Ladeanschluss (M, Abbildung 13) aufladen, wenn der Zündschlüssel (J, Abbildung 13) auf „I“ gestellt ist.
8. Drücken Sie die Hupentaste (B, Abbildung 13), um Personen bei Bedarf zu warnen.
9. Drücken Sie bei Bedarf die Not-Aus-Taste (N, Abbildung 13) für einen Maschinen-Not-Stopp.
10. Falls erforderlich, drücken Sie die Taste für die Vorderleuchten (C, Abbildung 13) in dunklen Bereichen oder um Fußgänger zu warnen.
11. Falls erforderlich, stellen Sie den Sitz (K, Abbildung 13) ein, indem Sie den Griff auf der rechten Seite des Sitzes nach rechts drehen und den Sitz in die richtige Position schieben.

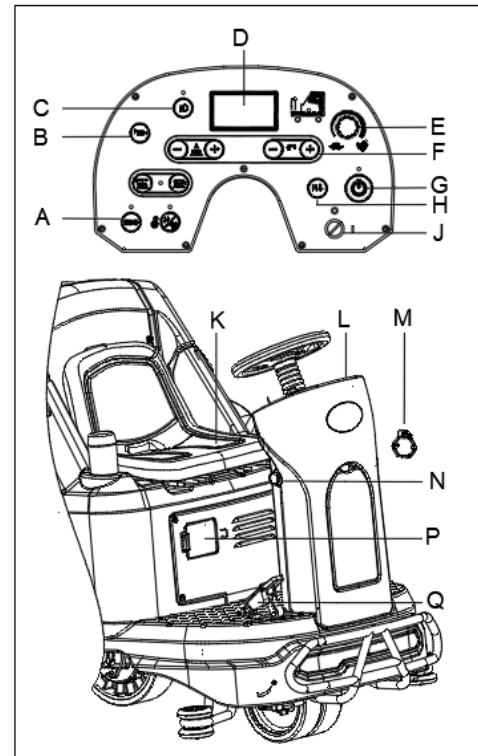


Abb. 13

**HINWEIS**

Der Bürstenmotor, Saugmotor, Antriebsmotor und die Steuerschaltung sind durch einen Überlastschutz geschützt (P, Abbildung 13). Wird der Überlastschutz ausgelöst, setzen Sie ihn nicht zurück, ohne die Ursache herauszufinden, und vergewissern Sie sich, dass der Motor abgekühlt ist, bevor Sie diesen zurücksetzen.

Stoppen Sie die Maschine

12. Lassen Sie das Beschleunigungspedal (Q, Abbildung 13) los, stoppt die Maschine den Betrieb.
13. Drücken Sie die Sofortstart-Taste (G, Abbildung 13), um die Bürsten und den Saugmotor zu stoppen. Die Bürsten und Saugleiste heben sich automatisch vom Fußboden ab. Das Saugsystem schaltet sich nach wenigen Sekunden ab.
14. Drehen Sie den Zündschlüssel auf „0“.
15. Stellen Sie sicher, dass die Maschine sich nicht eigenständig bewegen kann.

GERÄTEBETRIEB (SCHEUERN UND TROCKNEN)

1. Starten Sie die Maschine, wie es in den vorherigen Abschnitten beschrieben wurde.
2. Starten Sie den Reinigungsvorgang, indem Sie die Schritte aus dem Abschnitt „Starten der Maschine“, befolgen“.
3. Falls notwendig, stoppen Sie die Maschine, um den Seitenspritzschutz einzustellen, siehe dazu den Abschnitt „Einstellen des Niveaus des Seitenspritzschutzes“.
4. Falls notwendig, stoppen Sie die Maschine, um die Saugleiste einzustellen, siehe dazu den Abschnitt „Einstellen des Niveaus der Saugleiste“.

**HINWEIS**

Für das korrekte Schrubben/Trocknen der Böden auf den Seiten der Wände. Es wird empfohlen, mit der rechten Seite der Maschine (Abb. 14) nahe an den Wänden entlang zu fahren, wie in der Abbildung dargestellt.

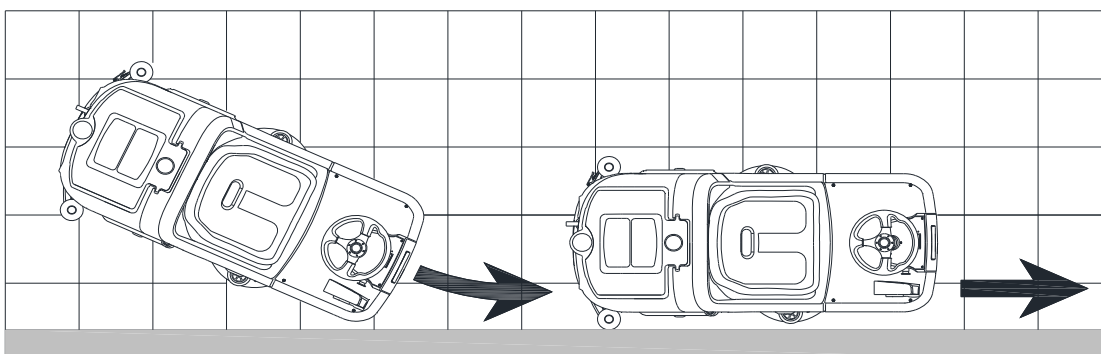


Abb. 14

TANKENTLEERUNG

Entleeren des Schmutzwassertanks

Wenn die Multifunktionsanzeige (47, Abbildung 3) ERROR24 anzeigt und die Anzeige für einen vollen Schmutzwassertank (48, Abbildung 3) an ist. Diese zeigt an, dass der Schmutzwassertank (C, Abbildung 15) voll ist, der Saugmotor kann den Boden nicht mehr trocknen. Entleeren Sie den Schmutzwassertank wie folgt:

1. Stoppen Sie das Gerät.
2. Heben Sie das Deck des Bürsten-/Pad-Halters durch Drücken der Sofortstart-Taste an (51, Abbildung 3).
3. Fahren Sie die Maschine zu dem vorgesehenen Entsorgungsbereich.
4. Entleeren Sie den Schmutzwassertank mit dem Schlauch (F, Abbildung 15). Spülen Sie dann den Schmutzwassertank (C, Abbildung 15) mit sauberem Wasser.



VORSICHT!

Halten Sie beim Ablassen des Schmutzwassers den Ablassschlauch hoch und falten Sie ihn am oberen Abschnitt, um ein Auslaufen auf den Bediener zu vermeiden.

Reinigungslösungs-/Reinwassertank entleeren

1. Entleeren Sie den Reinigungslösungstank über die Ablassabdeckung (A, Abbildung 15). Nach der Beendigung spülen Sie den Behälter gründlich mit klarem Wasser aus.

NACH DER GERÄTEBENUTZUNG

Nach der Arbeit vor dem Verlassen des Geräts:

1. Entfernen Sie die Bürsten-/Pad-Halter durch Drücken der linken Lösetaste (56, Abbildung 3) und reinigen Sie diese.
2. Leeren Sie die Tanks (B und C, Abbildung 15), wie im vorherigen Absatz gezeigt.
3. Führen Sie die täglichen Wartungsarbeiten (siehe Kapitel „Instandhaltung“) aus.
4. Lagern Sie das Gerät an einem sauberen und trockenen Ort, wobei sich die Bürsten-/Pad-Halter und die Saugleiste in angehobener Position befinden sollen oder abgenommen worden sein müssen.
5. Verwenden Sie die Deckelhalterung des Schmutzwassertanks, um den Deckel offen zu halten. Dadurch wird verhindert, dass sich im Inneren Gerüche bilden.

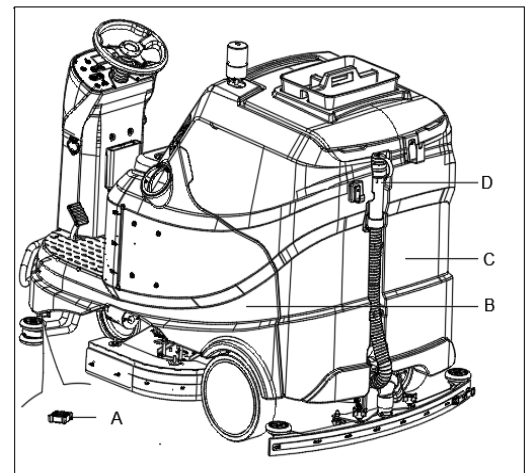


Abb. 15

MASCHINENLAGERUNG WÄHREND LANGER STILLSTANDZEITEN

Wenn das Gerät länger als 30 Tage nicht benutzt wird, gehen Sie wie folgt vor:

1. Gehen Sie wie im Absatz „Nach der Gerätebenutzung“ beschrieben vor.
2. Ziehen Sie den Akkustecker ab.

NACH DER ERSTEN INBETRIEBNAHME

Überprüfen Sie nach den ersten 8 Stunden die Befestigungs- und Verbindungsteile des Geräts, stellen Sie sicher, dass diese sachgemäß angezogen sind und überprüfen Sie sichtbare Teile auf Verschleiß und Leckage.

INSTANDHALTUNG



WARNUNG!

Wartungsarbeiten müssen durchgeführt werden, nachdem das Gerät ausgeschaltet und das Batterie-Ladekabel getrennt wurden. Darüber hinaus müssen die Kapitel über Sicherheit in dieser Anleitung sorgfältig gelesen werden.

Alle geplanten oder außerordentlichen Wartungsmaßnahmen müssen von qualifiziertem Personal oder einem autorisierten Service-Center durchgeführt werden. Dieses Handbuch beschreibt nur die allgemeinen Wartungsverfahren.

Für andere Wartungsverfahren, die nicht in der unten stehenden Wartungsplantabelle aufgeführt sind, wenden Sie sich bitte an unseren technischen Kundendienst.

TABELLE DER PLANMÄSSIGEN WARTUNG

**VORSICHT!**

Das mit (1) gekennzeichnete Verfahren muss durchgeführt werden, nachdem das Gerät die ersten 8 Erstbetriebsstunden gelaufen ist. Das mit (2) gekennzeichnete Verfahren muss vom Service-Center durchgeführt werden, das von unserem Unternehmen autorisiert wird.

Verfahren	Täglich, nach jedem Gebrauch	Wöchentlich	Halbjährlich	Jährlich
Laden der Akkus				
Reinigung der Saugleiste				
Reinigung der Bürsten/Pad-Halter				
Tankreinigung				
Inspektion der Tankdichtungsleiste				
Reinigung des Grobschmutzkorb				
Bürsten-/Pad-Reinigung				
Reinigung des Spritzschutzes				
Überprüfung und Austausch der Saugleistenlippen				
Reinigung des Reinigungslösungsfilters				
Reinigung des Saugfilters				
Überprüfung des Flüssigkeitsstands der Nassbatterien				
Festigkeitsprüfung der Schrauben und Muttern			(1)	
Geben Sie Schmieröl an sich bewegende Teile (wie Bremsenöl)			(1)	
Überprüfung oder Austausch der Bürstenmotorkohlen				(2)
Überprüfung oder Austausch der Vakuummotorkohlen				(2)
Überprüfung oder Austausch der Antriebssystemkohlen				(2)

INTRODUKTION



FORSIGTIG!

Visse generelle og detaljerede maskinoplysninger er ikke inkluderet i denne vejledning. Se LYNVEJLEDNINGEN TIL HURTIG OPSTART på den medfølgende cd-rom, som kan åbnes med Adobe® Reader®.



BEMÆRK

Tallene i parentes henviser til komponenterne, som vist i kapitlet Maskinbeskrivelse.

FORMÅLET MED VEJLEDNINGEN OG DENS INDHOLD

Formålet med denne brugsvejledning er at gøre operatøren bekendt med maskinens tekniske ydeevne, konstruktion, drift, inaktivitet, reservedele og sikkerhedsforhold mm.

Inden der udføres arbejde på maskinen, skal operatører og kvalificerede teknikere læse denne vejledning nøje. Kontakt os, hvis du er i tvivl eller har spørgsmål i forbindelse med instruktionerne i denne vejledning.

OPBEVARING AF DENNE BRUGSVEJLEDNING

Denne vejledning skal opbevares i umiddelbar nærhed af maskinen, i en passende holder og på afstand af væsker og andre stoffer, der kan forårsage skader på den.

OVERENSSTEMMELSESERKLÆRING

Overensstemmelseserklæring leveres sammen med maskinen og certificerer at maskinen er i overensstemmelse med gældende lovgivning.



BEMÆRK

Kopierne af den oprindelige overensstemmelseserklæring leveres sammen med maskinens dokumentation.

TILBEHØR OG VEDLIGEHOLDELSE

Alle nødvendige procedurer vedrørende drift, vedligeholdelse og reparation skal udføres af kvalificerede teknikere eller et af os godkendt værksted. Der må KUN anvendes originale og godkendte reservedele.

Kontakt vores firmas kundeservice for service eller køb af tilbehør eller reservedele om nødvendigt.

UDSKIFTNING OG FORBEDRINGER

Vi arbejder ihærdigt på løbende at forbedre vores produkter, og firmaet forbeholder sig ret til at foretage ændringer og forbedringer af maskinen uden forudgående varsel.

ANVENDELSESOMRÅDE

Gasvaskeren er anvendelig for kommerciel og industriel brug. Den er udviklet til rengøring af glatte og faste overflader og skal betjenes af kvalificeret personale under sikre forhold. Den er ikke egnet til udendørs brug, tæpperensning eller brug på ujævne overflader.

MASKINENS IDENTIFIKATIONSDATA

Maskinens serienummer og modelnavn er markeret på seriemærket.

Denne information er nyttig. Brug følgende tabel til at nedskrive maskinens identifikationsdata, i tilfælde af at der kræves reservedele til maskinen.

MASKINENS MODEL.....
MASKINENS SERIENUMMER.....

TRANSPORT OG UDPAKNING

Når fragtselskabet leverer maskinen, skal du sørge for at emballage og maskine er hele og ubeskadigede. Hvis der konstateres skade på maskinen, skal fragtselskabet straks orienteres herom for at kunne gøre krav på erstatning.

Følg nøje anvisningerne på emballagen ved udpakning af maskinen.

Kontroller pakken for at sikre at følgende dele er inkluderet:

1. Teknisk dokumentation - Brugsanvisning.
2. Batterikomponenter.
3. Vejledning til elektronisk batterioplader (ekstraudstyr) (*)

SIKKERHED

Følgende symboler angiver potentielt farlige situationer. Læs altid denne information grundigt og træf alle nødvendige forholdsregler for at beskytte mennesker og ejendom.

SYNLIGE SYMBOLER PÅ MASKINEN



ADVARSEL!

Læs nøje alle instruktionerne, før der udføres arbejde på maskinen.



ADVARSEL!

Vask ikke maskinen med direkte vandstråler eller vand under tryk.



ADVARSEL!

Brug ikke maskinen på skrånninger, der er stejlere end det, der er angivet i afsnittet Specifikationer.

SYMBOLER ANVENDT I DENNE BRUGSVEJLEDNING



FARE!

Det indikerer en farlig situation med risiko for død for operatøren.



ADVARSEL!

Det indikerer en potentiel risiko for skader på mennesker.



FORSIGTIG!

Det angiver, at man skal være opmærksom på vigtige eller nyttige funktioner. Vær opmærksom på de afsnit, der er markeret med dette symbol.



BEMÆRK

Den angiver en bemærkning om vigtige eller nyttige funktioner.



TJEK MANUAL

Det indikerer en nødvendighed af at henvise til brugsvejledningen, før du udfører nogen procedure.

GENERELLE SIKKERHEDSINSTRUKTIONER

Specifikke advarsler og forholdsregler for at informere om potentielle skader på mennesker og maskine er vist nedenfor.

**FARE!**

- Denne maskine skal betjenes af uddannet og autoriseret personale i henhold til brugsvejledningen.
- Inden der udføres rengøring, vedligeholdelse, reparation eller udskiftning, skal alle instruktioner læses nøje. Maskinen skal desuden slukkes, og batteristykket skal frakobles.
- Betjen ikke maskinen i nærheden af giftige, farlige, brændbare og/eller eksplosive pulvere, væsker eller dampe. Denne maskine er ikke egnet til opsamling af farlige pulvere.
- Bær ikke smykker, når der arbejdes i nærheden af elektriske komponenter.
- Arbejd ikke under den løftede maskine, hvis den ikke er fastgjort med et sikkerhedsstativ.
- Når der anvendes blybatterier (VÅD), er der risiko for afgivelse af brændbare gasser under normal brug. Batterierne skal derfor holdes væk fra gnister, flammer, rygende materialer og udstrålende, lysende og brændende genstande.
- Ved opladning af blybatterier (VÅD) kan der afgives en brintgas, som kan forårsage eksplosioner. Sørg for, at opladningsmiljøet er godt ventileret og ikke i nærheden af åben ild.

**ADVARSEL!**

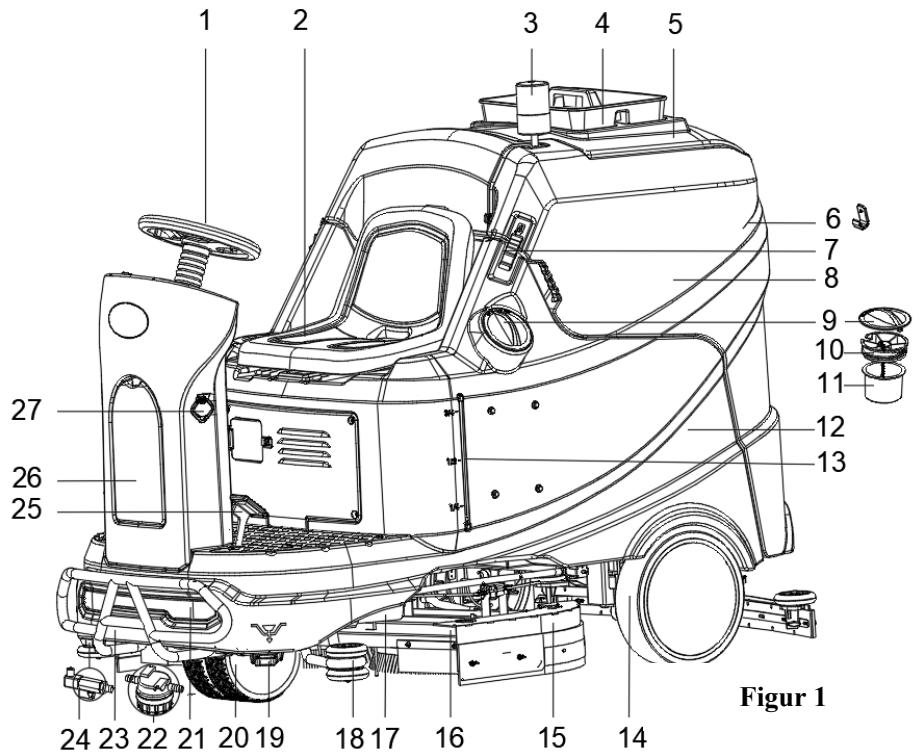
- Denne maskine er beregnet til ERHVERVSMÆSSIG BRUG, for eksempel i hoteller, skoler, hospitaler, fabrikker, butikker, kontorer og udlejningsvirksomheder.
- Maskiner, der efterlades uden opsyn, skal sikres mod utilsigtet at kunne sætte sig i bevægelse.
- Med henblik på at forhindre utilsigtet brug af maskinen skal strømkilden slukkes eller låses. Dette kan for eksempel gøres ved at fjerne nøglen fra hovedafbryderen eller tændingsnøglen.
- Undersøg nøje maskinen før hver brug. Sørg for, at alle komponenter er blevet godt samlet, før brug. Løse komponenter kan medføre risiko for personskade eller på anden vis forårsage ødelæggelser.
- Flyt aldrig maskinen ved at trække i batteriopladerkablet. Lad ikke kablet komme i klemme i en lukket dør, og træk det ikke rundt om kanter med skarpe hjørner. Kørsel ikke maskinen hen over batteriopladerkablet. Hold batteriopladerkablet væk fra varme overflader.
- Oplad ikke batterierne, hvis batteriopladerkablet eller stikket er beskadiget.
- For at reducere risikoen for brand, elektrisk stød eller personskade skal maskinen slukkes, inden den forlades.
- Brug eller opbevar maskinen indendørs under tørre forhold; den må ikke anvendes udendørs.
- Maskinens opbevarings- og arbejdstemperatur skal være mellem 0 °C og 40 °C; luftfugtigheden skal være mellem 30 % og 95 %.
- Betjen ikke maskinen på skrånninger, der er stejlere end den angivne sikkerhedsgrænse.
- Ved brug og håndtering af gulvrengøringsmidler skal instruktionerne på emballagen følges nøje, og der skal anvendes passende beskyttelseshandsker og beskyttelsestøj.
- Anvend børster og rondeller, der leveres med maskinen eller anbefales i vejledningen. Brug af andre børster eller rondeller kan reducere sikkerheden.
- I tilfælde af funktionsfejl kontrolleres det, at disse ikke er forårsaget af manglende vedligeholdelse. Hvis det er nødvendigt, anmod om assistance fra autoriseret personale eller fra et autoriseret servicecenter.
- Træf alle de nødvendige forholdsregler for at forhindre, at hår, smykker og løse beklædningsdele bliver fanget af maskinens bevægelige dele.
- Anvend ikke maskinen i særligt støvede områder.

- * Vask ikke maskinen med direkte eller højtryks stråler, eller ætsende stoffer.
- Undgå at støde ind i hylde eller stilladser, især hvor der er risiko for nedfaldende genstande.
- Undgå at læne væskebeholdere op ad maskinen. Brug i stedet den relevante holder.
- For at undgå at beskadige gulvet skal børsterne/rondellerne slås fra, når maskinen holder stille.
- I tilfælde af brand skal der anvendes pulverlukker. Brug ikke flydende brandslukkere.
- Fjern eller modificer ikke maskinens etiketter.
- Pil ikke ved maskinens sikkerhedsskærme, og følg altid nøje de planlagte vedligeholdelsesinstruktioner.
- Udvis forsigtighed, når maskinen transporteres ved temperaturer under frysepunktet. Vandet i opsamlingsstanken og i slangerne kan fryse og forårsage alvorlig skade på maskinen.
- Hvis reservedele skal udskiftes, skal der bestilles ORIGINALE reservedele fra en autoriseret forhandler.
- Returnér maskinen til Servicecenteret, hvis den ikke fungerer som normalt, eller hvis den er beskadiget.
- For at sikre korrekt og sikker drift af maskinen skal den planlagte vedligeholdelse, som er angivet i det relevante afsnit i denne vejledning, udføres af autoriseret personale eller en autoriseret forhandler eller detailhandler.
- Maskinen skal bortskaffes korrekt, da den indeholder giftige-skadelige materialer (batterier, osv.), der er underlagt standarder, som kræver bortskaffelse i særlige centre (se afsnittet Bortskaffelse).
- Denne maskine er kun beregnet til rengøring og må ikke bruges til andre formål.
- Sørg altid for at holde maskinens åbninger fri for støv, hår og andre fremmedlegemer, der kan reducere luftstrømmen. Maskinen må ikke anvendes, hvis åbningerne er tilstoppede.
- Brug kun maskinen i områder med en korrekt belysning.
- Denne maskine må ikke anvendes af personer (inklusive børn) med nedsat fysisk, sensorisk eller psykisk funktionsevne eller med begrænset erfaring og viden.
- Udvis stor forsigtighed, når maskinen anvendes i nærheden af børn.
- Børn skal være under opsyn for at sikre, at de ikke leger med maskinen.
- Ved betjening af denne maskine skal der træffes alle de nødvendige foranstaltninger for at undgå risiko for personskade eller andre former for ødelæggelse.
- Rengøring og vedligeholdelse må ikke udføres af børn, medmindre de er under opsyn.
- Operatørerne skal have passende anvisninger og uddannelse i forhold til brugen af disse maskiner.
- Undlad at bruge maskinen uden et førerværn mod faldende genstande (FOPS) i områder, hvor der er risiko for, at operatøren kan rammes af faldende objekter.

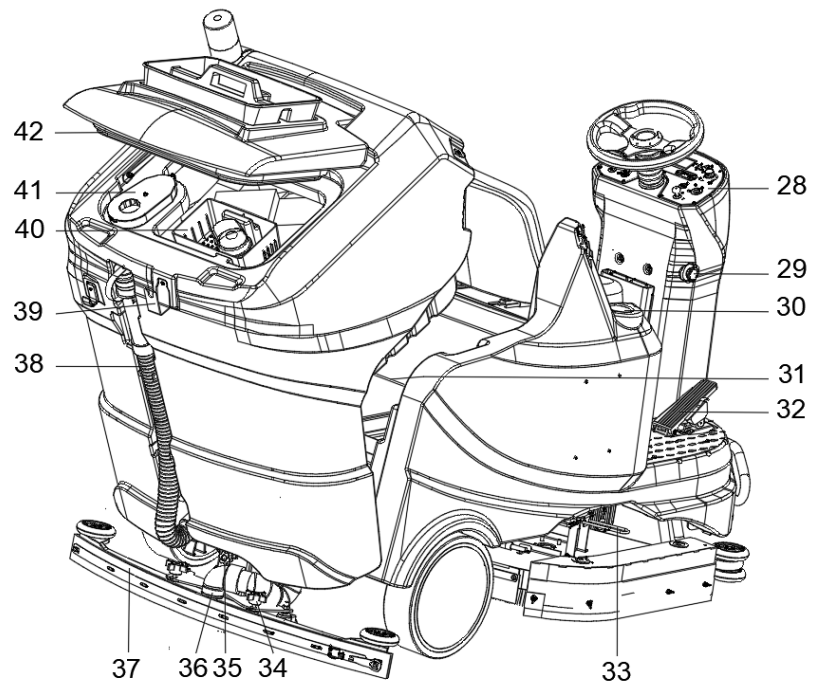
BESKRIVELSE AF MASKINEN

MASKINENS STRUKTUR* - valgfrit

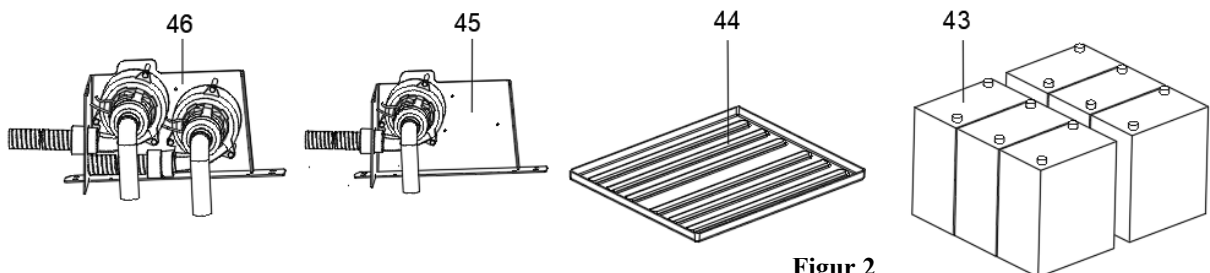
1. Rat
2. Sæde, justerbar (med sikkerhedsafbryder)
3. Advarselslys
4. Beholder til værktøj (*)
5. Opsamlingstankens låg
6. Krog
7. Lås (x2)
8. Opsamlingstank
9. Filterdæksel
10. Holder til filterslange
11. Filterholder
12. Opløsningstank
13. Vandstandsør
14. Kørehjul (med mekanisk bremse)
15. Sidestænkskærme
16. Børstemontering
17. Pumpe
18. Stødhjul
19. Opløsningstankens afløbsdæksel
20. Forhjul
21. Forlygter
22. Opløsningsfilter
23. Kofanger
24. Afbryderventil til opløsning
25. Mekanisk bremsepedal
26. Dæksel til indvendig opbevaringsrum
27. USB-opladningsport
28. Betjeningspanel
29. Nødafbryder
30. Kopholder
31. Støttekabel til opsamlingstank
32. Gaspedal
33. Monteringsstop til børste-/rondeldriver
34. Sugefodens drejeknapper
35. Sugefodens vinkeljusteringsknap
36. Sugefodens vakuumslange
37. Sugefod
38. Opsamlingstankens afløbsslange
39. Krog til sugefod
40. Boks til opsamling af snavs
41. Sugeindtagsfilter
42. Pakning til tankdæksel
43. Batterier (ikke relevant)
44. Batteribakke (*)
45. Vakuumsystem
46. Dobbelt vakuumsystem (*)



Figur 1

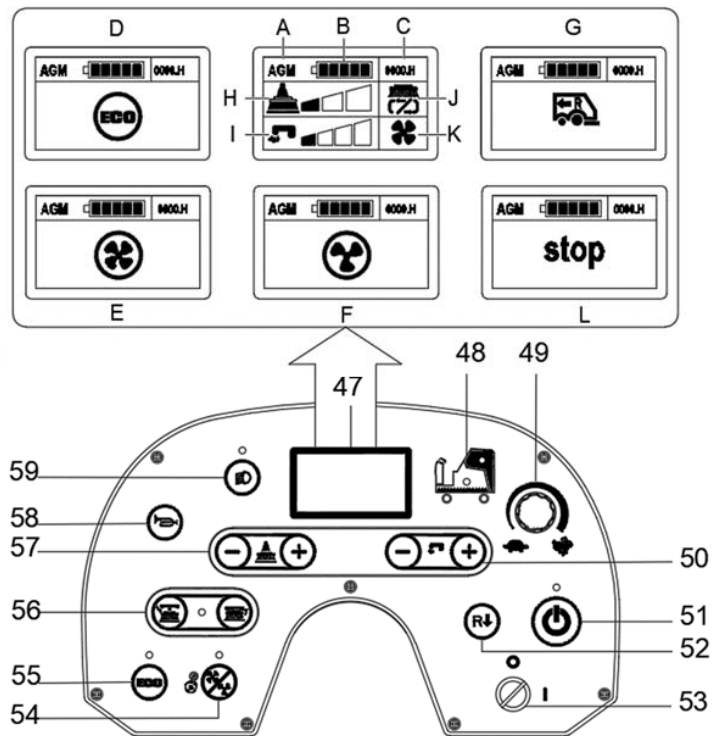


Figur 2

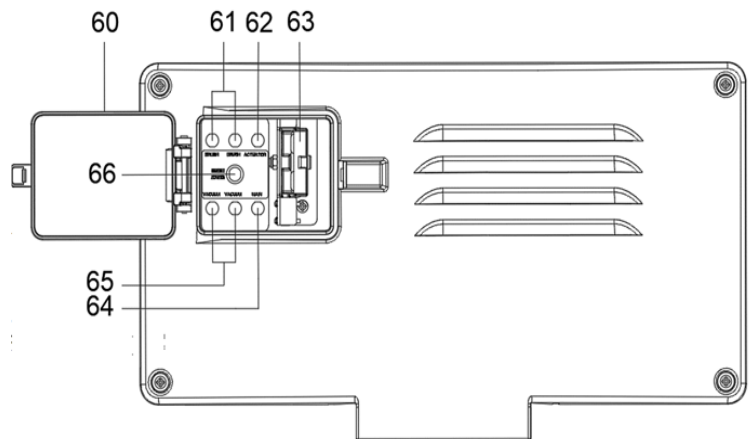


KONTROLPANEL (som vist)

- 47. Multifunktionsdisplay
Visninger:
A) Batteritype
B) Batteriladeniveau
C) Arbejdstimer
D) ECO-tilstand
E) Normal vakuumtilstand
F) Reduceret støjniveau
G) Bak
H) Ekstra tryk aktivt
I) Sæbedosering
J) Børstetilstand
K) Vakuumtilstand
L) Sædets sikkerhedsafbryder
- 48. Indikator for fuld opsamlingstank/opløsningstank tom
- 49. Knap til hastighedsjustering
- 50. Justeringsknapper til opløsningsmængde
- 51. Startknap
·LED på ovenstående knap-funktion er aktiveret
·vandsystem (niveau 2)
·tryk ved minimum (niveau 1)
·vakuumsystem normalt
- 52. Frem- og tilbage-knap
- 53. Tændingsnøgle (0=TÆNDT I=SLUKKET)
- 54. Vakuumsystemets justeringsknap (tryk på knappen 1 sekund for aktivering)
·LED lyser - normal tilstand
·LED blinker - stille tilstand
- 55. Knap til ECO-tilstand
·LED på ovenstående knap-funktion er aktiveret
·vandtilførsel på minimum (niveau 1)
·tryk ved minimum (niveau 1)
·Støjsvag sugning
- 56. Montering/fjernelse af børste-/rondelholder
- 57. LED blinker - Klik på aktiveret
- 58. Justeringsknapper for børstetryk
- 59. Hornknap
- 60. Knap til forlygter
- 61. Dæksel til opladerstik
- 62. Overbelastningsbeskyttere til børstemotorer (30 A)
- 63. Overbelastningsbeskytter til børsteløft (3 A)
- 64. Opladerstik
- 65. Overbelastningsbeskytter til hovedkredsløb (5 A)
- 66. Overbelastningsbeskytter til vakuummotor(er) (30A)
- 67. Overbelastningsbeskytter til sugefodløft (3 A)



Figur 3



Figur 4

TEKNISKE PARAMETRE

Parameter Type	AS1050R
Spænding	36 V
Nominel strøm (INDGANG)	125 A/4500 W
IP-beskyttelsesklasse	IP24
Oplosningstankens kapacitet	200 liter
Opsamlingsstankens kapacitet	200 liter
Skrubbebredde	980mm / 35,58 tommer
Børstens/rondelholderens diameter	508 mm x 2
Børstens/rondellens tryk (maks.)	90 kg
Børstemotorkraft (INDGANG)	2 x 1000 W/2 x 1.3 HP
Børstehastighed i normal drift	240 omdr./min.
Børstehastighed i ECO-tilstand	175 omdr./min.
Sæbetilførsel (maks.) pr. indstilling/minut	1,6/2,3/3,3/4,6 liter
Lydtryksniveau (en vakuummotor)	72 ± 3 dB (A)
Lydtryksniveau (to vakuummotorer) (*)	75 ± 3 dB (A)
Støjniveau i ECO-tilstand eller støjsvag drift	69 ± 3 dB (A)
Vakuummotorens effekt	600 W / 0,8 HP
USB-opladning	5 V 2,4 A MAKS.
Produktivitet (maks.)	7840 m ³ /t
Arbejdshastighed	0 - 8 Km / 0 - 5 mph
Fremadkørsel	0 - 8 Km / 0 - 5 mph
Baglæns kørsel	0 - 5 Km / 0 - 3,1 mph
Køremotorens effect (INDGANG)	1600 W / 2,1 HP
Min. venderadius	2650mm/104 tommer
Stigningsevne (maks.) transport	20%
Stigningsevne (maks.) i drift	16%
Kørehjulsdiameter	340mm / 13,4 tommer
Kørehjulets specifikke tryk på gulvet	0,68 N/mm ²
Forhjulsdiameter	250 mm / 10 tommer
Forhjulets specifikke tryk på gulvet	0,62 N/mm ²
Vibrationsniveau ved kørehåndtag (maks.)	< 2,5 m/s ²
Batterirummets størrelse uden bakke (L x B x H)	(680x560x450) mm / 26.7 x 22 x 17.7 tommer
Batterirummets størrelse med bakke (L x B x H) (*)	(665x550x430) mm / 26.1 x 21.6 x 16.9 tommer
Maskinens længde uden forreste kofanger	1875mm/73,8 tommer
Maskinens bredde ekskl. sugefod	1077mm/42,4 tommer
Maskinens højde	1.350 mm / 53 tommer
Maskinens højde (Med loftsafskærmning)	1.955mm / 77 tommer
Maskinvægt med tomme tanke (uden batterier)	398 Kg / 853,6 Lbs.
Køretøjets totalvægt (GVW)	870 Kg / 1914 Lbs.
Køretøjets totalvægt (GVW) (Med loftsafskærmning)	897 Kg / 1973 Lbs.
Transportvægt	490 Kg / 1078 Lbs.
Emballagens mål (L x B x H)	2110 x 1220 x 1535 mm

(*) : Ekstraudstyr

BRUGSVEJLEDNING

**ADVARSEL!**

Nogle steder på maskinen er der nogle klæbende skilte, som viser:

- FARE!
- ADVARSEL!
- FORSIGTIG!
- KONSULTATION

Under læsning af denne vejledning skal operatøren være opmærksom på de symboler, der er vist på skiltene. Dæk ikke disse skilte til af nogen som helst grund, og udskift dem straks, hvis de beskadiges.

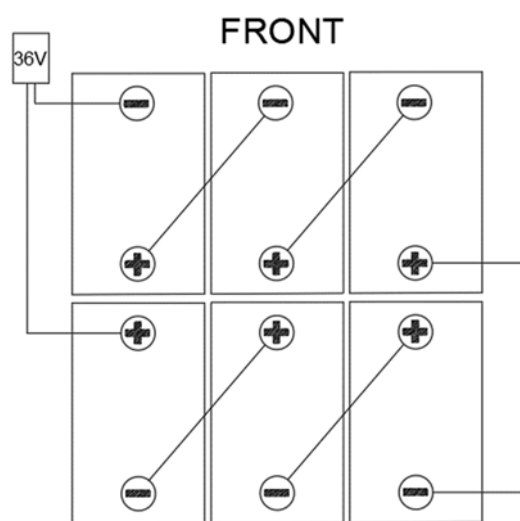
BATTERIKONTROL/INDSTILLING PÅ EN NY MASKINE

**ADVARSEL!**

Maskinens elektriske komponenter kan beskadiges alvorligt, dersom batterierne enten installeres eller forbindes forkert. Batterierne skal installeres af en kvalificeret person. Indstil batteritype ved hjælp af proceduren herunder i henhold til den anvendte batteritype (VÅD- eller GEL/AGM/DIS/ENE-batterier). Efter batterierne for skader, inden de installeres. Afbryd batteristikket og batteriopladerstikket. Behandl batterierne med stor forsigtighed. Installer beskyttelses-afslutningerne på batteriterminalerne, der er leveret med maskinen.

**BEMÆRK**

Maskinen kræver seks 6 V batterier, som er tilsluttet og installeret i de positioner, der er vist i figur 5.



Figur 5

Med monterede batterier

1. Sørg for, at batteristikket er tilsluttet.
2. Første gang maskinen tages i brug med nye batterier skal disse oplades til deres fulde kapacitet (se fremgangsmåde i afsnittet Vedligeholdelse).

Uden batterier

1. Køb passende batterier (se afsnittet Tekniske data). Kontakt kvalificerede batteriforhandlere angående valg af batteri og installation.
2. Vælg indstilling af batteritype ved hjælp af nedenstående procedure.

BATTERIINSTALLATION OG INDSTILLING AF BATTERITYPE (VÅD/GEL/AGM/DIS/ENE)**Batteriinstallation**

1. Åbn venstre og højre låse (7, Figur 1).
2. Åbn opsamlingstankens låg (5, Figur 1) og kontrollér, at opsamlingstanken (8, Figur 1) er tom; tøm den om nødvendigt ved brug af afløbsslangen (38, Figur 2).
3. Luk opsamlingstankens dæksel (5, Figur 1)
4. Løft forsigtigt opsamlingstanken (8, Figur 1).
5. Frakobl opsamlingstankens kabel og fjern hele opsamlingstankenheden.
6. Fjern en skrue på opsamlingstankens drejekabel (31, Figur 2) og drej tilbage.
7. Fjern de fire skrue i bunden af opsamlingstanken.

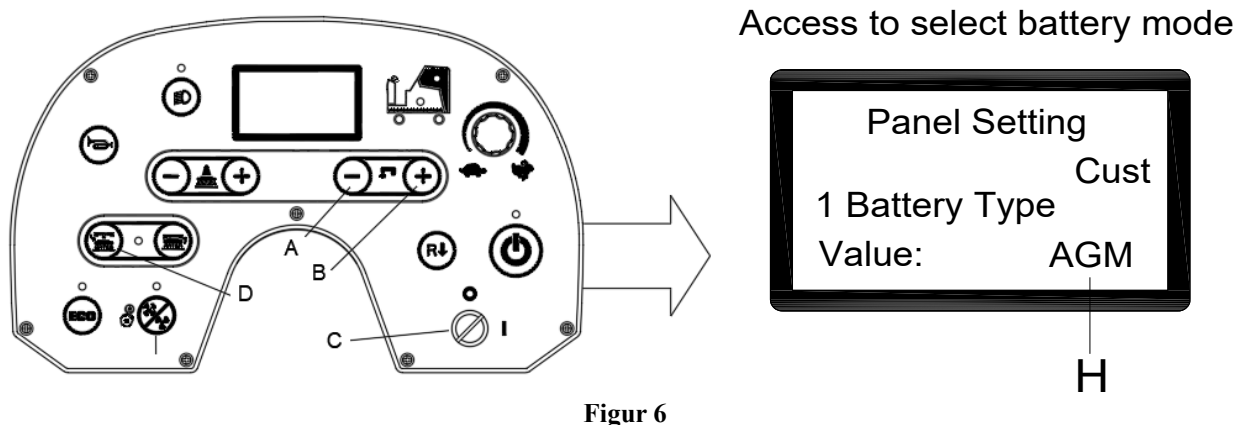
Maskinen leveres med kabler, der passer til at installere seks 6 V batterier. Placer forsigtigt batterierne i batterirummet, og installer dem korrekt som vist i figur 5. Monter batteriets faste plade korrekt.

8. Forbind og installer batteriledningen som vist i figur 5, og stram derefter forsigtigt møtrikken på hver batteriterminal.

9. Sæt beskyttelseshætten på hver terminal, og tilslut derefter batteristikket til maskinen.
10. Saml hele opsamlingsstanken i modsat rækkefølge af adskillelsen.
11. Sænk forsigtigt opsamlingsstanken.

Indstilling af batteritype (VÅD/GEL/AGM/DIS/ENE) Vælg den ønskede batteritype efter følgende fremgangsmåde

Afhængigt af den valgte type batteri (VÅD/GEL/AGM/DIS/ENE) indstilles maskinen på følgende måde:



Figur 6

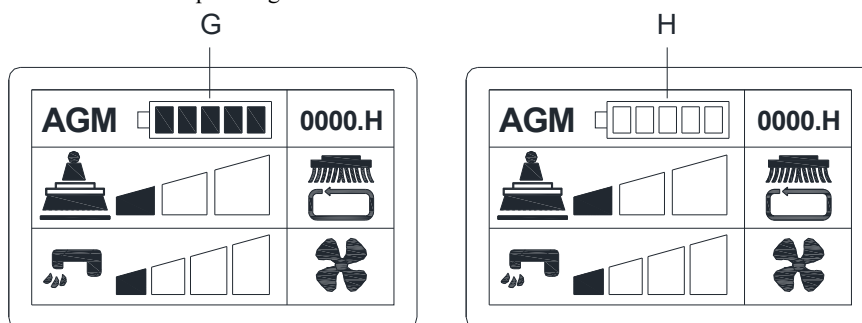
1. Tryk på vandgennemstrømningsknappen »-« (A, Figur 6) og »+« (B, Figur 6) samtidigt.
2. Sæt tændingsnøglen (C, Figur 6) i, og drej den til »I«.
3. Efter nogle sekunder åbnes menuen til valg af batteritype (figur 6).
4. Tryk på vandgennemstrømningsknappen »-« (A, Figur 6) og »+« (B, Figur 6) for at vælge batteritilstand (H, Figur 6).
5. Tryk på udløserknappen (D, figur 6). Efter 3 sekunder vises »Update OK«, hvilket betyder, at den nye indstilling er valgt. Genstart maskinen. (C, Figur 6).

Opladning af batteri

Oplad batterierne til deres fulde kapacitet (se fremgangsmåde i afsnittet Vedligeholdelse).

Batteriernes lademønster

Når batterimønsteret er fuldt (G, Figur 7), er batterierne helt opladet. Når batterimønsteret er lavt (H, Figur 7), skal batterierne oplades. Nogle få sekunder efter at batterimønsteret er skiftet til lav, slukkes børsterne automatisk, mens køresystemet forbliver tændt. Kør straks maskinen hen til et passende område for opladning.



Figur 7

AF- OG PÅMONTERING AF BØRSTEHOLDER



BEMÆRK

Installer enten børste- (A, Figur 8) eller pudeholder (B og C, Figur 8) efter gulvtypen, der skal rengøres.



FORSIGTIG!

Inden af- eller påmontering af børste eller rondel skal det sikres, at alle kontakter på maskinen er slået fra og at svaberen er løftet fra gulvet. Operatøren skal være udstyret med passende personlige beskyttelsesordninger såsom handsker for at formindske risikoen for ulykker.

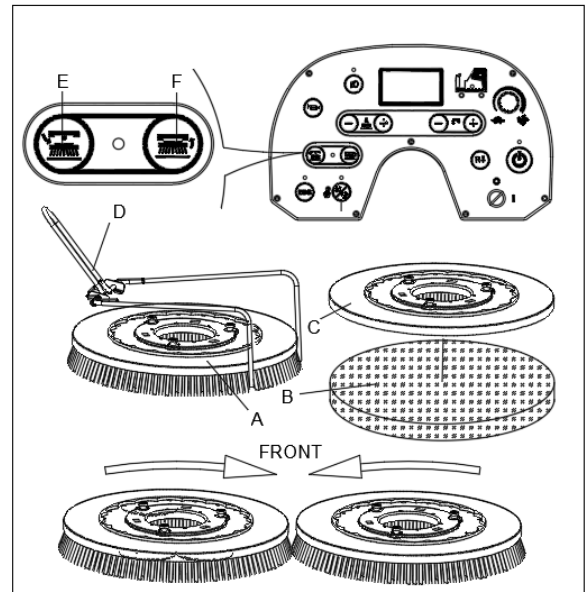
Følg denne fremgangsmåde:

PÅMONTERING:

1. Sæt tændingsnøglen (53, Figur 3) i, og drej den til »I«. Løft ophænget.
2. Placér børsterne (A, Figur 8) eller rondelholderne (B, Figur 8) under ophænget. Brug børsteinstallationsstoppet (D, Figur 8) til at hjælpe med at finde den rette børste/rondelholderposition.
3. Installér børste-/rondelholderen ved at trykke på knappen Børste-/rondelholder (F, Figur 8). Børste-/rondelholderen installeres automatisk. Rotationsretningen er vist (figur 8). LED-indikatorlampen blinker.

AFMONTERING:

1. Sæt tændingsnøglen (53, Figur 3) i, og drej den til »I«. Sørg for, at børste-/rondelholderen er i løftet (UP) position. Fjern børste-/rondelholderen ved at trykke på udløserknappen til børste-/rondelholderen (E, Figur 8). Børste-/rondelholderen frigøres automatisk. LED-indikatorlampen vil lyse.



Figur 8

Hvis du trykker på børstens sluk-knap og trykker på tænd-knappen, skal du slukke for tændingsnøglen og derefter tænde den igen, og maskinen kan fungere igen.

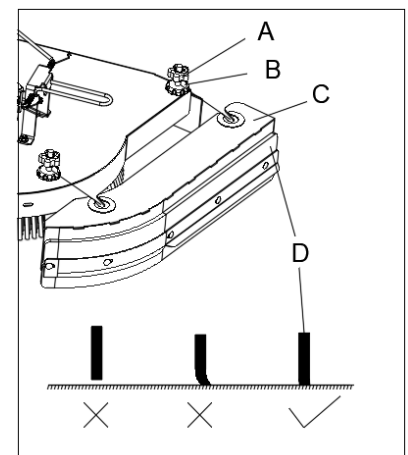
JUSTERING AF BALANCEN FOR SIDESTÆNKSKÆRME

Stænkskærmens højde skal overvåges og justeres. Kontrollér sidestænkskærmens ydeevne under rengøring med maskinen.

- A. Hvis stænkskærmene er for høje, vil mellemrummet mellem stænkskærmen (D) og gulvet efterlade vand på gulvet under drejninger.
- B. Hvis stænkskærmene er for lave, vil stænkskærmen (D) bøje sig for langt, efterlade vand under drejninger og reducere stænkskærmens levetid.
- C. Korrekt justering opnås, når stænkskærmene rører gulvet let fra forsiden til bagsiden af stænkskærmen.

Justeringsproceduren er følgende:

1. Sørg for, at ophænget er i løftet (UP) position.
2. Løsn de øverste fastholdelsesmøtrikker (A), og fjern stænkskærmenheden.
3. Justér de nedre fastholdelsesmøtrikker (B) op/ned.
4. Sæt stænkskærmenheden på igen, og tjek justeringen.
5. Gentag 3. og 4 efter behov, indtil justeringen af stænkskærmen er korrekt.
6. Stram de øvre fastholdelsesmøtrikker (A) for at sikre justeringen.
7. Gentag proceduren på den anden sidestænkskærm.

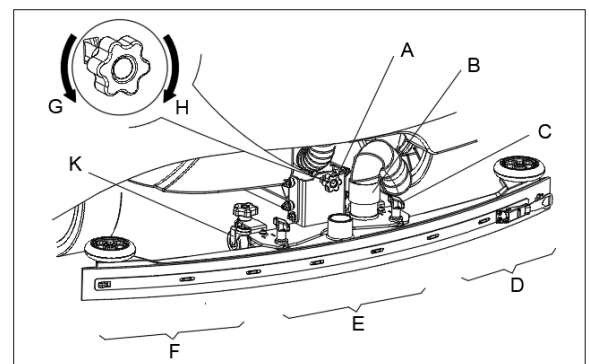


Figur 9

JUSTERING AF SUGEFODENS BALANCE

1. Installere sugefoden, og stram møtrikkerne (C, Figur 10). Tilslut derefter sugeslangen (B) til sugefoden.
2. Juster sugefoden ved hjælp af justeringsknappen (A).
 - a) Hvis der er et mellemrum mellem jorden og den midterste del af sugefodens bagerste blad (E), skal knappen (A) drejes med uret (H), indtil hele det bagerste blad er i kontakt med jorden og det forreste blad rører jorden let.
 - b) Hvis der er et mellemrum mellem jorden og begge ender af sugefodens bagerste blad (D og F), skal knappen (A) drejes mod uret (G), indtil hele det bagerste blad er i kontakt med jorden og det forreste blad rører jorden let.

Hvis det er nødvendigt, justeres hele sugefodens højde ved at justere hjulhøjden (K).



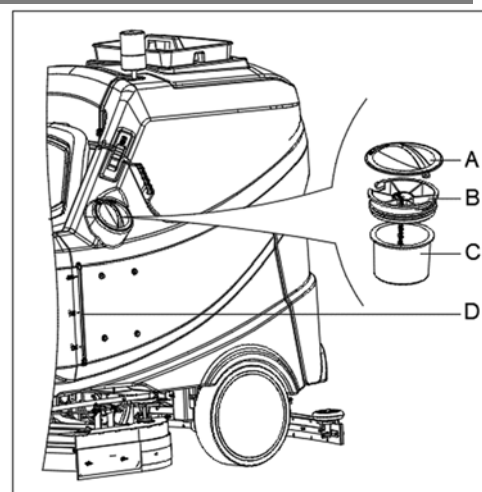
Figur 10

PÅFYLDNING AF OPLØSNINGSTANKEN

1. Åbn vandtankens dæksel (A, Figur 11).
2. Fyld tanken med vand eller en sæbeopløsning, der passer til den forstående type arbejde.
Opløsnings temperaturen må ikke overstige +104F (+40°C).
3. Overfyld ikke tanken, se indikatoren til vandniveau (D) for vandvolumen.

**ADVARSEL!**

Brug kun lavtskummende og ikke brændbare vaskemidler, som er beregnede til automatiske scrubber applikationer.



Figur 11

INSPEKTION AF DRIVMOTOR OG MEKANISK BREMSE

1. Drej tændingsnøglen (A, Figur 12) til »I«, og sæt dig på sædet (C).
2. Tryk en smule på gaspedalen (C) og giv slip for at kontrollere, om maskinen kan styres fremad og stoppes.
3. Kontrollér, om maskinen kan stoppes øjeblikkeligt, når der trykkes på nødknappen (B). Drej nødknappen for at genindstille den.
4. Tryk hurtigt på den mekaniske bremsepedal (F) for at kontrollere, om maskinen kan standses øjeblikkeligt.

**ADVARSEL!**

Stigningsevnen i drift må ikke overstige 16 %. Når der arbejdes på skrånninger, skal tankens låse (7, Figur 1) være aktiveret. For en sikkerheds skyld må du aldrig stoppe på en skrånning.

Når du klatrer op ad en hældning med maksimalt 20 % hældning, skal du på forhånd justere det hastighedsbegrænsende potentiometer til den maksimale hastighedsposition. Skub gaspedalen til det maksimale, mens du klatrer op ad skrånningen.

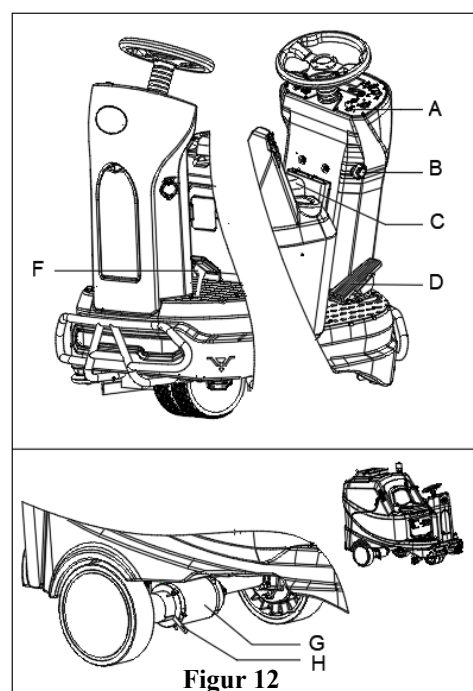
Hvis der skrubbes på en skrånning med maksimalt 16 % hældning, justeres det hastighedsbegrænsende potentiometer til den maksimale hastighedsposition på forhånd. Hvis displayet viser "Error 4, Tra Overload", justeres børstetrykket til den laveste indstilling.

Hvis du opdager, at maskinhastigheden bliver langsommere og kommer tæt på stoptilstanden i processen med at klatre op ad en skrånning, og "Error 4, Tra Overload" vises på displayet, skal du straks slippe gaspedalen og træde på den mekaniske bremse.

Hvis "Error 4, Tra Overload" vises under klatring på en skrånning, skal du straks træde på den mekaniske bremse, slukke for tændingen og så tænde for nøglen for at genstarte og afslutte klatringen. Juster det hastighedsbegrænsende potentiometer til en langsom hastighedsposition. Tryk derefter på bagud-knappen, slip den mekaniske bremse, og træd forsigtigt på speederen, så maskinen kan bevæge sig langsomt bagud, indtil en lavere hældning er nået.

**OBS**

Køremotorens bremse er frigjort, når motoren arbejder normalt. Den låser, når motoren slukkes. I nogle særlige tilfælde, såsom ved maskinpakning og udpakning, maskinfejl osv., kan det være nødvendigt at skubbe maskinen. På drivmotoren (G, Figur 12) skal bremsehåndtaget skubbes ned (H, Figur 12). Maskinbremsen frigøres, og maskinen kan flyttes. Skub til slut håndtaget tilbage, så maskinen kan fungere.



Figur 12

MASKINSTART OG -STOP**Start maskinen**

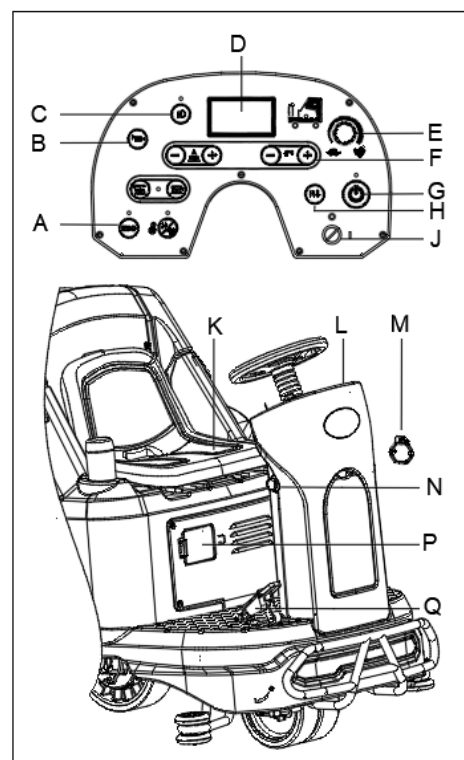
1. Forbered maskinen som vist i det foregående afsnit.
2. Sæt dig på sædet (K, Figur 13), sæt tændingsnøglen (J, Figur 13) i og drej den til »I«. Tjek batteriernes status på displayet. Oplad om nødvendigt batterierne (se fremgangsmåden i afsnittet Vedligeholdelse).
3. Kør maskinen hen til arbejdsområdet.

Fremad-/tilbageretningen kan styres ved hjælp af kontakten (H, Figur 13). Hastigheden kan justeres ved hjælp af justeringsknappen (E, Figur 13).

4. Tryk på startknappen (G, Figur 13) for at starte maskinen. Sugefoden og børsterne sænkes automatisk til gulvet, og vakuummotor begynder at køre.
5. Tryk på sæbedoseringsknapperne (F, Figur 13) efter behov, afhængigt af den ønskede type rengøring.
6. Tryk på gaspedalen (Q, Figur 13), og start rengøringen.
7. Du kan oplade din telefon eller iPad via USB-opladeporten (M, Figur 13), når tændingsnøglen (J, Figur 13) er drejet til »I«.
8. Tryk på hornknappen (B, Figur 13) for at advare andre, når det er nødvendigt.
9. Tryk om nødvendigt på nødknappen (N, Figur 13) for at stoppe maskinen øjeblikkeligt.
10. Tryk om nødvendigt på knappen til forlygter (C, Figur 13) i mørke områder eller for at advare fodgængere.
11. Justér om nødvendigt sædet (K, Figur 13) ved at dreje håndtaget til højre for sædet og skub derefter sædet til korrekt position.

**BEMÆRK**

Børstemotoren, vakuummotoren, drivmotoren og kontrolkredsløbet er beskyttet af overbelastningsbeskyttelse (P, Figur 13). Når en overbelastningsbeskyttelse udløses, skal den ikke nulstilles med det samme uden at finde årsagen, og sørg for, at motoren er afkølet før nulstilling.

**Figur 13****Stop maskinen**

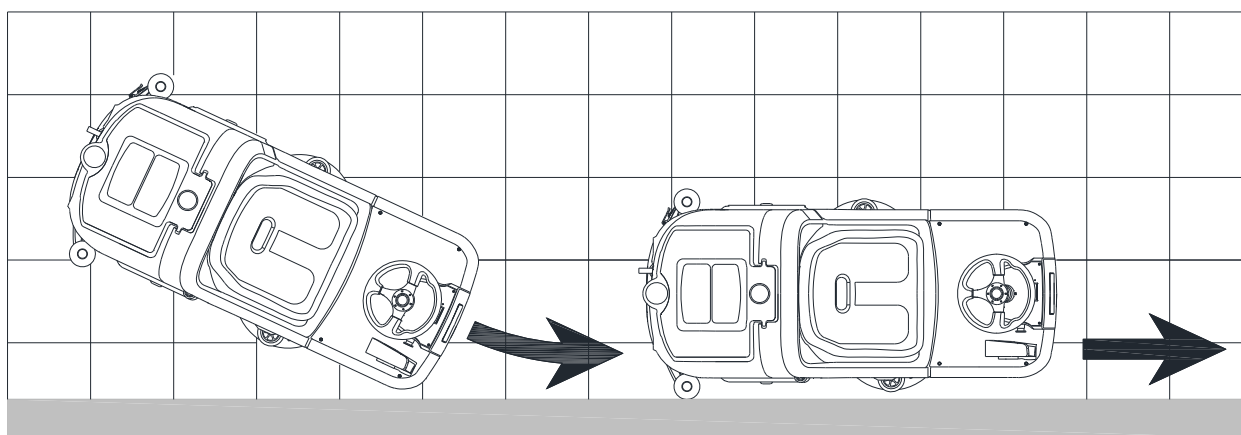
12. Slip gaspedalen (Q, Figur 13) for at stoppe maskinen.
13. Tryk på startknappen (G, Figur 13) for at stoppe børsterne og vakuummotoren. Børsterne og sugefoden løftes automatisk fra gulvet. Vakuumsystemet slukkes efter nogle få sekunder.
14. Drej tændingsnøglen til »0«.
15. Sørg for, at maskinen ikke selv kan sætte i bevægelse.

MASKINENS BRUG (SKURING OG TØRRING)

1. Start maskinen i overensstemmelse med procedurerne i de tidligere afsnit.
2. Start rengøringen ved at følge procedurerne i afsnittet »Start maskinen«.
3. Stop om nødvendigt maskinen for at justere sidestænskærmene i overensstemmelse med afsnittet »Justering af balancen for sidestænskærme«.
4. Stop om nødvendigt maskinen for at justere sugefoden i overensstemmelse med delen »Justering af sugefodens balance«.

**BEMÆRK**

Korrekt skrubning/tørring af gulve ved sidevæggene opnås bedst. Det anbefales at gå tæt på væggene med maskinens højre side (figur 14) som vist på figuren.

**Figur 14**

TØMNING AF TANK

Tømning af genvindingsvandtank

Når multifunktionsdisplayet (47, Figur 3) viser ERROR24, og indikatoren for fuld opsamlingstank (48, Figur 3) lyser. Det angiver, at opsamlingstanken (C, Figur 15) er fuld, og vakuummotoren kan ikke længere tørre gulvet. Tøm opsamlingstanken ved at følge følgende trin:

1. Stands maskinen.
2. Løft ophænget til børste-/rondelholderen og sugefoden ved at trykke på startknappen (51, Figur 3).
3. Kør maskinen hen til det udvalgte tømningsområde.
4. Tøm opsamlingstanken ved brug af slangen (D, Figur 15). Skyl derefter tanken (C, Figur 15) med rent vand.



FORSIGTIG!
Når spildevandet udledes, skal afløbsslangen holdes højt og foldes over den øverste del for at undgå, at det løber ud på operatøren.

Tømning af opløsnings-/rent-vandtanken

1. Tøm opløsningsstanken ved at fjerne afløbsdækslet (A, Figur 15). Rengør tanken med rent vand efter arbejdet.

EFTER BRUGEN AF MASKINEN

Inden maskinen forlades:

1. Fjern børsterne/rondelholderne ved at trykke på venstre knap (56, Figur 3), og rengør dem.
2. Tøm tankene (B og C, Figur 15) som vist i det foregående afsnit.
3. Udfør de daglige vedligeholdelsesprocedurer (se afsnittet Vedligeholdelse).
4. Opbevar maskinen et rent og tørt sted med børsterne/rondelholderne og sugefoden løftet eller fjernet.
5. Brug opsamlingstankens låg til at holde låget åbent. Det forhindrer, at der dannes dårlig lugt indvendigt.

OPBEVARING I TILFÆLDE AF LÆNGEREVARENDE INAKTIVITET

Hvis maskinen ikke skal anvendes i mere end 30 dage, så gå frem således:

1. Udfør procedurene beskrevet i afsnittet Efter brug af maskinen.
2. Frakobl batteristikket.

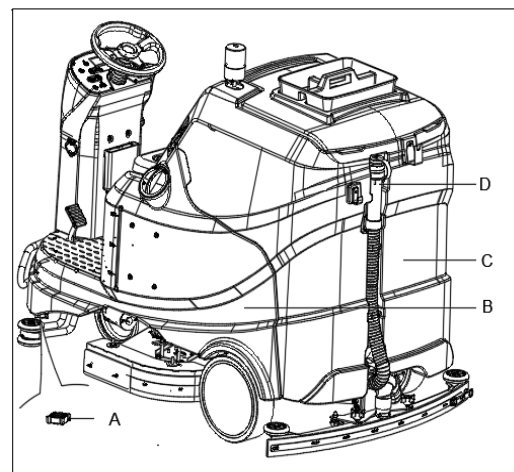
FØRSTE BRUGSPERIODE

Efter de første 8 timer kontrolleres fastgøringelsen af maskinen og de forbindende dele angående korrekt fastgørelse., og de synlige dele kontrolleres for slitage og lækage.

VEDLIGEHOLDELSE



ADVARSEL!
Vedligeholdelsesprocedurer skal udføres, efter at maskinen er slukket, og batteriopladerkablet er frakoblet. Læs desuden grundigt kapitlerne med sikkerhedsforanstaltninger i denne vejledning.



Figur 15

Alle planlagte eller ekstraordinære vedligeholdelsesprocedurer skal udføres af kvalificeret personale eller et autoriseret servicecenter. Denne manual beskriver kun de generelle og almindelige vedligeholdelsesprocedurer.

Kontakt vores tekniske supportafdeling for andre vedligeholdelsesprocedurer, der ikke er anført i nedenstående tabel for planlagt vedligeholdelse.

TABEL FOR PLANLAGT VEDLIGEHOLDELSE

**FORSIGTIG!**

Proceduren markeret med (1) skal udføres når maskinen har været i brug i de første 8 timer. Proceduren markeret med (2) skal udføres af et Servicecenter der er kvalificeret af vores firma.

Procedure	Dagligt, efter hver brug	Ugenligt	Halvårligt	Årligt
Opladning af batteri				
Rengøring af sugefod				
Rengøring af børste-/pudeholder				
Rengøring af tank				
Kontrol af tankens tætningsliste				
Rengøring af boks til opsamling af snavs				
Rengøring af børste/rondel				
Rengøring af stænkskærm				
Kontrol og udskiftning af blade				
Rengøring af opløsningsfilter				
Rengøring af sugeindtagsfilter				
Kontrol af væskniveau på WET-batteri				
Inspektion af skruer og møtrikker			(1)	
Tilsæt smøreolie til roterende dele (såsom bremseolie)			(1)	
Kontrol eller udskiftning af børstemotorens børstekul				(2)
Kontrol eller udskiftning af sugemotorens børstekul				(2)
Kontrol eller udskiftning af drivmotorens børstekul				(2)

ΕΙΣΑΓΩΓΗ**ΠΡΟΣΟΧΗ!**

Ορισμένες γενικές και αναλυτικές πληροφορίες σχετικά με το μηχάνημα δεν περιλαμβάνονται στον παρόντα οδηγό.

Ανατρέξτε στο Εγχειρίδιο του ΟΔΗΓΟΥ ΓΡΗΓΟΡΗΣ ΕΚΚΙΝΗΣΗΣ που βρίσκεται στο παρεχόμενο CD-ROM. Η ανάγνωση πραγματοποιείται μέσω του Adobe® Reader®.

**ΣΗΜΕΙΩΣΗ**

Οι αριθμοί στις παρενθέσεις αναφέρονται στα εξαρτήματα που εμφανίζονται στο κεφάλαιο <<Περιγραφή του μηχανήματος>>.

ΣΚΟΠΟΣ ΚΑΙ ΠΕΡΙΕΧΟΜΕΝΟ ΤΟΥ ΟΔΗΓΟΥ

Σκοπός αυτών των οδηγιών χρήσης είναι να εφοδιάσουν τον χειριστή με όλες τις βασικές πληροφορίες, καθώς και με πληροφορίες σχετικά με τα τεχνικά χαρακτηριστικά, τη λειτουργία, την αδράνεια του μηχανήματος, τα ανταλλακτικά, τις συνθήκες ασφαλείας κλπ. Πριν από την εκτέλεση οποιασδήποτε διαδικασίας στο μηχάνημα, οι διαχειριστές και οι εξειδικευμένοι τεχνικοί πρέπει να διαβάσουν το εγχειρίδιο με τις Οδηγίες χρήσης. Επικοινωνήστε με την εταιρεία μας σε περίπτωση που έχετε αμφιβολία ως προς την ερμηνεία των οδηγιών ή για οποιαδήποτε περαιτέρω πληροφορία.

ΤΡΟΠΟΣ ΦΥΛΑΞΗΣ ΑΥΤΩΝ ΤΩΝ ΟΔΗΓΙΩΝ ΧΡΗΣΗΣ

Πρέπει να φυλάσσετε τις οδηγίες χρήσης κοντά στο μηχάνημα, μέσα σε κατάλληλη θήκη, μακριά από υγρά και άλλες ουσίες που μπορούν να προκαλέσουν οποιαδήποτε ζημιά σε αυτόν.

ΔΗΛΩΣΗ ΣΥΜΜΟΡΦΩΣΗΣ

Η δήλωση συμμόρφωσης συνοδεύει το μηχάνημα και πιστοποιεί ότι το μηχάνημα πληροί τις προϋποθέσεις της ισχύουσας νομοθεσίας.

**ΣΗΜΕΙΩΣΗ**

Αντίγραφα της αρχικής δήλωσης συμμόρφωσης συνοδεύουν τα έγγραφα του μηχανήματος.

ΑΞΕΣΟΥΑΡ ΚΑΙ ΣΥΝΤΗΡΗΣΗ

Όλες οι απαραίτητες διαδικασίες λειτουργίας, συντήρησης και επισκευής πρέπει να εκτελούνται από εξειδικευμένο προσωπικό, είτε από εξουσιοδοτημένο Κέντρο εξυπηρέτησης που έχει καθοριστεί από την εταιρεία μας. Θα πρέπει να χρησιμοποιούνται ΜΟΝΟ εξουσιοδοτημένα ανταλλακτικά και αξεσουάρ.

Εάν χρειαστεί, επικοινωνήστε με το Κέντρο εξυπηρέτησης πελατών της εταιρείας μας, για οποιαδήποτε εξυπηρέτηση ή για να αγοράσετε αξεσουάρ ή ανταλλακτικά.

ΑΛΛΑΓΗ ΚΑΙ ΒΕΛΤΙΩΣΗ

Έχουμε δεσμευτεί για συνεχή βελτίωση των προϊόντων μας και η εταιρεία διατηρεί το δικαίωμα αλλαγών και βελτιώσεων του μηχανήματος χωρίς πρόσθετη ενημέρωση.

ΠΕΔΙΟ ΕΦΑΡΜΟΓΗΣ

Η πλυντρίδα κάνει για εμπορική και βιομηχανική χρήση. Είναι κατάλληλη για τον καθαρισμό ομαλών και συμπαγών δαπέδων, και πρέπει να τη λειτουργεί ειδικευμένο άτομο υπό ασφαλείς συνθήκες. Δεν είναι κατάλληλη για χρήση σε εξωτερικούς χώρους ή χαλιά ή για καθαρισμό τραχέος δαπέδου.

ΣΤΟΙΧΕΙΑ ΑΝΑΓΝΩΡΙΣΗΣ ΜΗΧΑΝΗΜΑΤΟΣ

Ο σειριακός αριθμός του μηχανήματος και το όνομα του μοντέλου αναγράφονται στη σειριακή ετικέτα.

Η πληροφορία αυτή είναι χρήσιμη. Χρησιμοποιήστε τον παρακάτω πίνακα για να γράψετε τα στοιχεία αναγνώρισης του μηχανήματος, όταν χρειάζεστε ανταλλακτικά για το μηχάνημα.

ΜΟΝΤΕΛΟ ΜΗΧΑΝΗΜΑΤΟΣ
ΣΕΙΡΙΑΚΟΣ ΑΡΙΘΜΟΣ ΤΟΥ ΜΗΧΑΝΗΜΑΤΟΣ

ΜΕΤΑΦΟΡΑ ΚΑΙ ΑΠΟΣΥΣΚΕΥΑΣΙΑ

Όταν ο μεταφορέας παραδίδει το μηχάνημα, βεβαιωθείτε ότι η συσκευασία και το μηχάνημα είναι ακέραια και άθικτα. Εάν διαπιστωθεί κάποια ζημιά, ενημερώστε τον μεταφορέα για τη ζημιά και, πριν αποδεχθείτε το εμπόρευμα, επιφυλάξτε το δικαίωμα για αποζημίωση σχετικά με τη ζημιά.

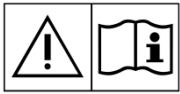
Ακολουθήστε αυστηρά τις οδηγίες στη συσκευασία των προϊόντων κατά την αφαίρεση της συσκευασίας.

Ελέγξτε τη συσκευασία για να βεβαιωθείτε ότι περιλαμβάνονται τα παρακάτω στοιχεία:

1. Τεχνικά έγγραφα - Οδηγίες χρήσης.
2. Εξαρτήματα σύνδεσης μπαταρίας.
3. Εγχειρίδιο ηλεκτρονικού φορτιστή μπαταρίας (αν έχει εγκατασταθεί) (*)

ΑΣΦΑΛΕΙΑ

Τα παρακάτω σύμβολα υποδεικνύουν πιθανές επικίνδυνες καταστάσεις. Να διαβάσετε πάντα τις πληροφορίες προσεκτικά και να παίρνετε όλες τις απαραίτητες προφυλάξεις για την προστασία ανθρώπων και περιουσίας.

ΟΡΑΤΑ ΣΥΜΒΟΛΑ ΣΤΟ ΜΗΧΑΝΗΜΑ**ΠΡΟΕΙΔΟΠΟΙΗΣΗ!**

Διαβάστε όλες τις οδηγίες προσεκτικά πριν προβείτε σε οποιαδήποτε εργασία στο μηχάνημα.

**ΠΡΟΕΙΔΟΠΟΙΗΣΗ!**

Μην πλένετε το μηχάνημα με νερό που πέφτει κατευθείαν πάνω του ή με νερό υπό πίεση.

**ΠΡΟΕΙΔΟΠΟΙΗΣΗ!**

Μη χρησιμοποιείτε το μηχάνημα για εργασίες σε πλαγιές με κλίση μεγαλύτερη από ό,τι ορίζεται στην ενότητα των προδιαγραφών.

ΣΥΜΒΟΛΑ ΠΟΥ ΕΜΦΑΝΙΖΟΝΤΑΙ ΣΤΙΣ ΟΔΗΓΙΕΣ ΧΡΗΣΗΣ**ΚΙΝΔΥΝΟΣ!**

Υποδεικνύει μια επικίνδυνη κατάσταση με κίνδυνο θανάτου για το χειριστή.

**ΠΡΟΕΙΔΟΠΟΙΗΣΗ!**

Αυτό δείχνει έναν πιθανό κίνδυνο τραυματισμού για τους ανθρώπους.

**ΠΡΟΣΟΧΗ!**

Αυτό δείχνει μία προφύλαξη ή παρατήρηση που σχετίζεται με σημαντικές ή χρήσιμες λειτουργίες. Δώστε προσοχή στις παραγράφους που επισημαίνονται με αυτό το σύμβολο.

**ΣΗΜΕΙΩΣΗ**

Αυτό δείχνει μια παρατήρηση που σχετίζεται με σημαντικές ή χρήσιμες λειτουργίες.

**ΣΥΜΒΟΥΛΕΣ**

Αυτό δείχνει την ανάγκη να συμβουλευτείτε τις οδηγίες χρήσης πριν εκτελέσετε κάποια διαδικασία.

ΓΕΝΙΚΕΣ ΟΔΗΓΙΕΣ ΑΣΦΑΛΕΙΑΣ

Παρακάτω εμφανίζονται ειδικές προειδοποιήσεις και προφυλάξεις που ενημερώνουν σχετικά με πιθανές ζημιές σε ανθρώπους και το μηχάνημα.

**ΚΙΝΔΥΝΟΣ!**

- Αυτό το μηχάνημα πρέπει να το λειτουργεί εκπαιδευμένο και εξουσιοδοτημένο προσωπικό, σύμφωνα με τις οδηγίες του εγχειριδίου.
- Πριν εκτελέσετε κάποια διαδικασία καθαρισμού, συντήρησης, επισκευής ή αντικατάστασης, διαβάστε προσεκτικά όλες τις οδηγίες, φροντίστε να απενεργοποιήσετε το μηχάνημα (στη θέση OFF) και να αποσυνδέσετε το βύσμα της μπαταρίας.
- Μη λειτουργείτε το μηχάνημα κοντά σε τοξικές, επικίνδυνες, εύφλεκτες ή / και εκρηκτικές σκόνες, υγρά ή ατμούς. Αυτό το μηχάνημα δεν είναι κατάλληλο για τη συλλογή επικίνδυνης σκόνης.
- Μη φοράτε κοσμήματα όταν εργάζεστε κοντά σε ηλεκτρικά εξαρτήματα.
- Μην εργάζεστε κάτω από το ανυψωμένο μηχάνημα αν δεν υποστηρίζεται με βάσεις ασφαλείας.
- Κατά τη χρήση μπαταριών μολύβδου (WET), μπορεί να εκλύονται εύφλεκτα αέρια υπό κανονικές συνθήκες χρήσης. Για το λόγο αυτό πρέπει να κρατάτε μακριά από τις μπαταρίες τα εξής: σπινθήρες, φλόγες, τσιγάρα, αναπτήρες, σπρίττα, καθώς και αντικείμενα που εκπέμπουν ακτινοβολία, φωτισμό ή φλόγες.
- Κατά τη φόρτιση μπαταριών μολύβδου (WET), μπορεί να υπάρξει εκπομπή αερίου υδρογόνου, το οποίο μπορεί να εκραγεί. Πρέπει να διασφαλίσετε ότι το περιβάλλον φόρτισης αερίζεται καλά και βρίσκεται μακριά από φλόγες.

**ΠΡΟΕΙΔΟΠΟΙΗΣΗ!**

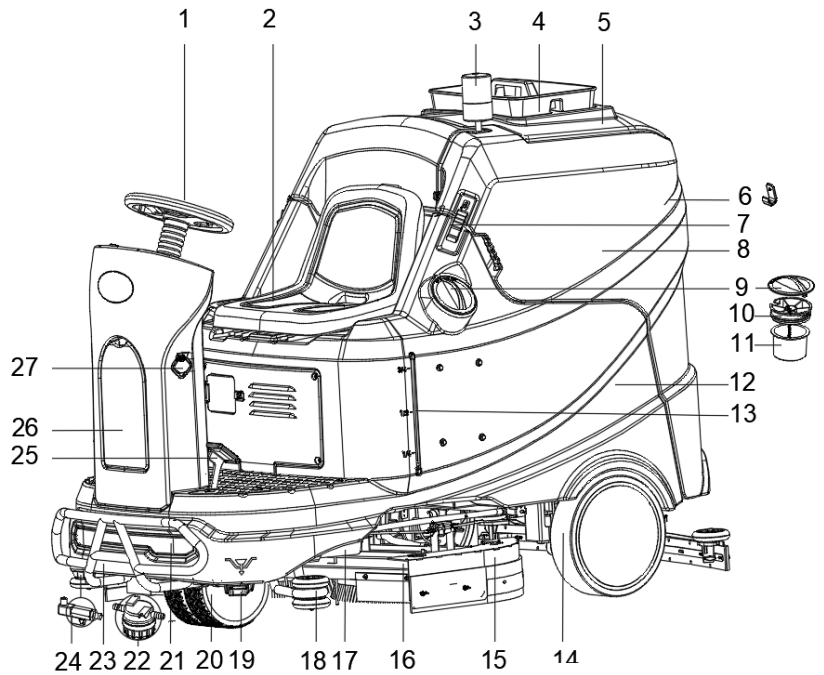
- Αυτό το μηχάνημα προορίζεται για ΕΠΑΓΓΕΛΜΑΤΙΚΗ ΧΡΗΣΗ, για παράδειγμα, σε ξενοδοχεία, σχολεία, νοσοκομεία, εργοστάσια, καταστήματα, γραφεία και επιχειρήσεις εκμισθώσεων.
- Τα μηχανήματα που αφήνονται χωρίς επίβλεψη θα πρέπει να ασφαρίζονται έναντι αθέλητης μετακίνησης.
- Για να αποφευχθεί η μη εξουσιοδοτημένη χρήση του μηχανήματος, η πηγή τροφοδοσίας ισχύος θα απενεργοποιείται ή θα κλειδώνεται, για παράδειγμα, αφαιρώντας το κλειδί του κύριου διακόπτη ή το κλειδί της μίζας.
- Ελέγξτε προσεκτικά το μηχάνημα πριν από κάθε χρήση. Βεβαιωθείτε ότι όλα τα εξαρτήματα έχουν συναρμολογηθεί καλά πριν από τη χρήση. Τα μη ασφαλισμένα εξαρτήματα μπορεί να προκαλέσουν τραυματισμούς σε ανθρώπους και ζημιές σε περιουσίες.
- Ποτέ μη μετακινείτε τη συσκευή τραβώντας το καλώδιο του φορτιστή μπαταρίας. Μην περνάτε το καλώδιο μέσα από κλειστή πόρτα ή πάνω από αιχμηρές άκρες ή γωνίες. Μην περνάτε το μηχάνημα πάνω από το καλώδιο του φορτιστή μπαταρίας. Κρατήστε το καλώδιο του φορτιστή μπαταρίας μακριά από θερμαινόμενες επιφάνειες.
- Μη φορτίζετε τις μπαταρίες εάν έχει πάθει ζημιά το καλώδιο του φορτιστή μπαταρίας ή το φις.
- Για να μειώσετε τον κίνδυνο πυρκαγιάς, ηλεκτροπληξίας ή τραυματισμού, βεβαιωθείτε ότι η συσκευή είναι απενεργοποιημένη πριν φύγετε.
- Να χρησιμοποιείτε ή να αποθηκεύετε το μηχάνημα σε εσωτερικούς χώρους, σε στεγνό περιβάλλον. Δεν επιτρέπεται η χρήση του σε εξωτερικούς χώρους.
- Η θερμοκρασία αποθήκευσης και λειτουργίας του μηχανήματος πρέπει να είναι μεταξύ 0°C και +40°C. Η υγρασία του αέρα πρέπει να είναι μεταξύ 30% - 95%.
- Μη χρησιμοποιείτε το μηχάνημα σε πλαγιές με κλίση μεγαλύτερη από αυτή που περιλαμβάνεται στις προδιαγραφές.
- Όταν χρησιμοποιείτε και μεταχειρίζεστε απορρυπαντικά καθαρισμού πατωμάτων, ακολουθήστε τις οδηγίες που αναγράφονται στις ετικέτες των απορρυπαντικών και φορέστε κατάλληλα γάντια και προστατευτικά γυαλιά.
- Χρησιμοποιήστε τις βούρτσες και τους δίσκους που παρέχονται με το μηχάνημα ή αυτά που καθορίζονται στο εγχειρίδιο. Η χρήση άλλων βουρτσών και δίσκων μπορεί να μειώσει την ασφάλεια.
- Σε περίπτωση δυσλειτουργίας του μηχανήματος, ελέγξτε εάν οφείλεται σε έλλειψη συντήρησης. Εάν χρειάζεται, ζητήστε βοήθεια από εξουσιοδοτημένο προσωπικό ή από εξουσιοδοτημένο Κέντρο εξυπηρέτησης.
- Λάβετε όλες τις απαραίτητες προφυλάξεις για να μην πιαστούν μαλλιά, κοσμήματα και χαλαρά ενδύματα από κινούμενα μέρη του μηχανήματος.
- Μη χρησιμοποιείτε αυτό το μηχάνημα σε ιδιαίτερα βρώμικες περιοχές.

- Μην πλένετε το μηχάνημα με νερό που πέφτει κατευθείαν πάνω του ή με νερό υπό πίεση, ή με διαβρωτικές ουσίες.
- Μην χτυπάτε πάνω σε ράφια ή σκαλωσιές, ιδίως εάν υπάρχει κίνδυνος πτώσης αντικειμένων.
- Μην ακουμπάτε δοχεία υγρού πάνω στο μηχάνημα, χρησιμοποιήστε τις θήκες για κάθε δοχείο.
- Για να αποφευχθεί η πρόκληση ζημιάς στο πάτωμα, μην αφήνετε να λειτουργήσει η βούρτσα / ο δίσκος, όσο το μηχάνημα είναι στάσιμο.
- Σε περίπτωση πυρκαγιάς, χρησιμοποιήστε πυροσβεστήρα ξηρής σκόνης. Μην χρησιμοποιείτε πυροσβεστήρες υγρού.
- Μην αφαιρείτε ή τροποποιείτε τις ετικέτες πάνω στο μηχάνημα.
- Μην παρεμβαίνετε στα διάφορα προστατευτικά του μηχανήματος και ακολουθείτε επακριβώς τις οδηγίες προγραμματισμένης συντήρησης.
- Προσοχή κατά τη μεταφορά του μηχανήματος όταν η θερμοκρασία είναι κάτω από το σημείο ψύξης. Το νερό στον κάδο ακάθαρτου υγρού και στους σωλήνες μπορεί να παγώσει και να προκαλέσει σοβαρή βλάβη στο μηχάνημα.
- Εάν χρειάζεται να αντικατασταθούν κάποια ανταλλακτικά, παραγγείλτε ΓΝΗΣΙΑ ανταλλακτικά από εξουσιοδοτημένους εμπόρους, ή μεταπωλητές.
- Επιστρέψτε το μηχάνημα στο Κέντρο εξυπηρέτησης εάν δεν λειτουργεί όπως συνήθως ή εάν έχει ζημιά.
- Για να εξασφαλίσετε σωστή και ασφαλή λειτουργία του μηχανήματος, πρέπει να πραγματοποιηθεί η προγραμματισμένη συντήρηση που φαίνεται στο σχετικό κεφάλαιο του παρόντος εγχειριδίου, από το αρμόδιο προσωπικό ή από εξουσιοδοτημένους εμπόρους, ή μεταπωλητές.
- Το μηχάνημα πρέπει να απορριφθεί σωστά, λόγω της παρουσίας τοξικών-επιβλαβών υλικών (μπαταρίες, κλπ.), τα οποία emπίπτουν σε πρότυπα που απαιτούν απόρριψη σε ειδικά κέντρα (βλέπε κεφάλαιο <<Απόσυρση>>).
- Αυτό το μηχάνημα αποτελεί μόνο εργαλείο καθαρισμού και δεν προορίζεται για κανέναν άλλον σκοπό.
- Να καθαρίζετε πάντοτε τρίχες, σκόνη, και οποιοδήποτε άλλο ξένο υλικό από τα ανοίγματα, γιατί μπορεί να μειώσουν τη ροή αέρα. Μην χρησιμοποιείτε το μηχάνημα εάν έχουν φράξει τα ανοίγματα.
- Χρησιμοποιήστε το μηχάνημα μόνο όταν υπάρχει κατάλληλος φωτισμός.
- Το μηχάνημα δεν προορίζεται για χρήση από άτομα (συμπεριλαμβανομένων παιδιών) με μειωμένες σωματικές, αισθητήριες ή διανοητικές ικανότητες ή έλλειψη εμπειρίας και γνώσης.
- Ιδιαίτερη προσοχή απαιτείται όταν χρησιμοποιείται κοντά σε παιδιά.
- Τα παιδιά πρέπει να επιτηρούνται ώστε να μην παίζουν με το μηχάνημα.
- Όταν χρησιμοποιείτε αυτό το μηχάνημα, προσέξτε να μην προκληθεί ζημιά σε ανθρώπους ή αντικείμενα.
- Δεν θα πραγματοποιείται καθαρισμός και συντήρηση από παιδιά χωρίς επίβλεψη.
- Οι χειριστές οφείλουν να λάβουν επαρκείς οδηγίες σχετικά με τη χρήση αυτών των μηχανημάτων.
- Μην χρησιμοποιείτε το μηχάνημα χωρίς προστατευτική διάταξη έναντι της πτώσης αντικειμένων (FOPS) σε χώρους όπου είναι πιθανό να τραυματιστεί ο χειριστής από την πτώση αντικειμένων.

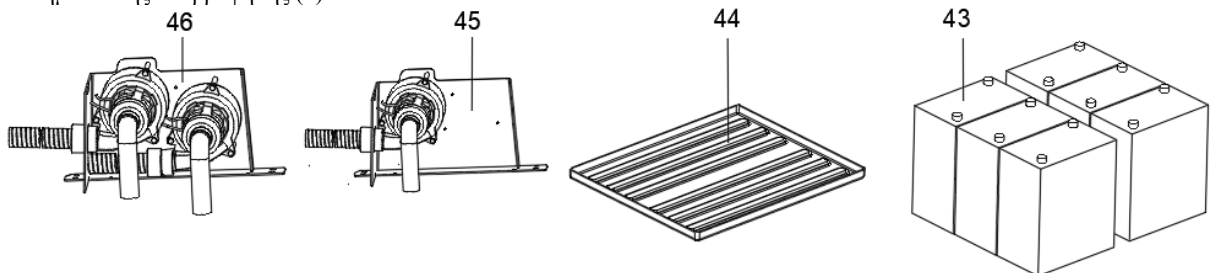
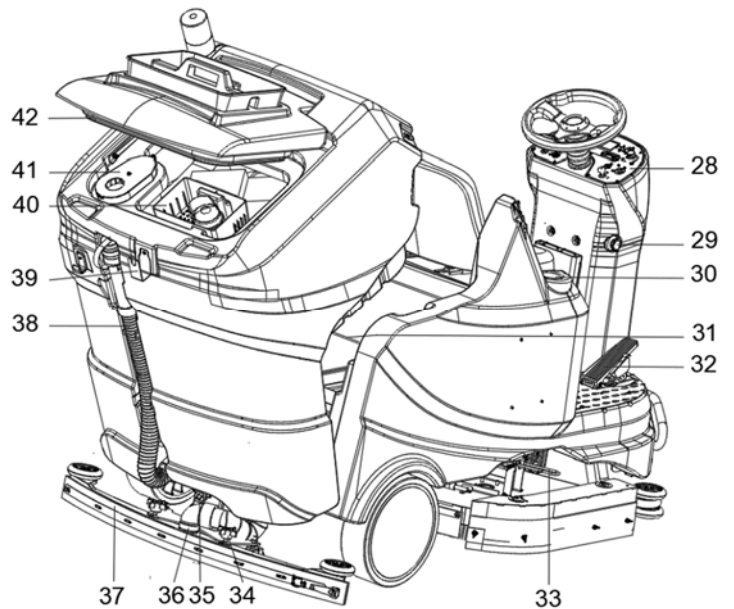
ΠΕΡΙΓΡΑΦΗ ΤΟΥ ΜΗΧΑΝΗΜΑΤΟΣ

ΔΟΜΗ ΜΗΧΑΝΗΜΑΤΟΣ* - προαιρετικό

1. Τιμόνι
2. Κάθισμα, ρυθμιζόμενο (με διακόπτη ασφαλείας)
3. Λυχνία προειδοποίησης
4. Βοηθητικό κουτί (*)
5. Καπάκι κάδου ακάθαρτου υγρού
6. Άγκιστρο
7. Μάνδαλο (x2)
8. Κάδος ακάθαρτου υγρού
9. Κάλυμμα φίλτρου
10. Στήριγμα σωλήνα φίλτρου
11. Στήριξη φίλτρου
12. Κάδος διαλύματος καθαρισμού
13. Σωλήνας στάθμης νερού
14. Τροχοί οδήγηση (με μηχανικό φρένο)
15. Πλευρικοί προφυλακτήρες πιτσιλίσματος
16. Διάταξη βούρτσας
17. Αντλία
18. Τροχοί προφύλαξης
19. Κάλυμμα αποστράγγισης κάδου διαλύματος
20. Μπροστινοί τροχοί
21. Μπροστινοί φανοί
22. Φίλτρο διαλύματος καθαρισμού
23. Μπροστινός προφυλακτήρας
24. Βαλβίδα διακοπής ροής διαλύματος
25. Πεντάλ μηχανικού φρένου
26. Κάλυμμα εσωτερικής αποθήκευσης
27. Θύρα φόρτισης USB
28. Πίνακας ελέγχου
29. Διακόπτης έκτακτης ανάγκης
30. Ποτηροθήκη
31. Καλώδιο στήριξης κάδου ακάθαρτου υγρού
32. Πεντάλ γκαζιού
33. Στοπ εγκατάστασης οδηγού βούρτσας/δίσκου
34. Χερούλια του μάκτρο
35. Λαβή ρύθμισης γωνίας του μάκτρο
36. Σωλήνας αναρρόφησης μάκτρο
37. Μάκτρο
38. Σωλήνας αποστράγγισης ακάθαρτου υγρού
39. Άγκιστρο μάκτρο
40. Κουτί συλλογής ακαθαρσιών
41. Φίλτρο εισαγωγής αναρρόφησης
42. Στεγανοποιητικά λάστιχα καλύμματος κάδου
43. Μπαταρίες (Μ/Δ)
44. Βάση μπαταρίας (*)
45. Σύστημα αναρρόφησης
46. Σύστημα διπλής αναρρόφησης (*)



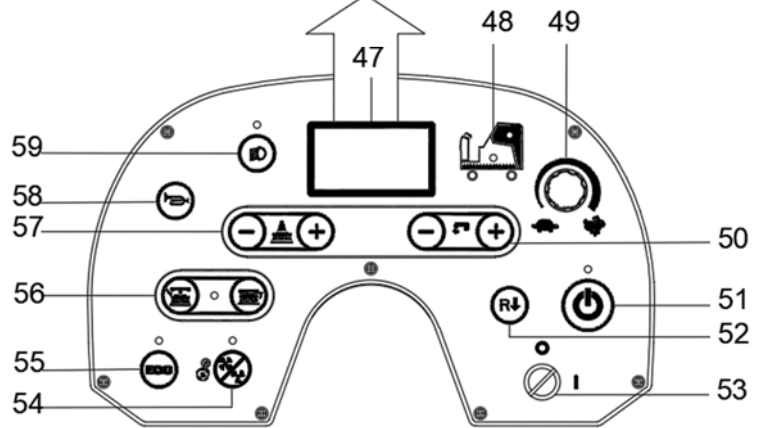
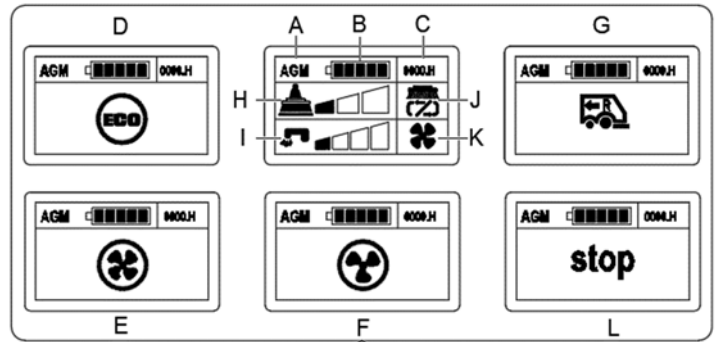
Σχήμα 1



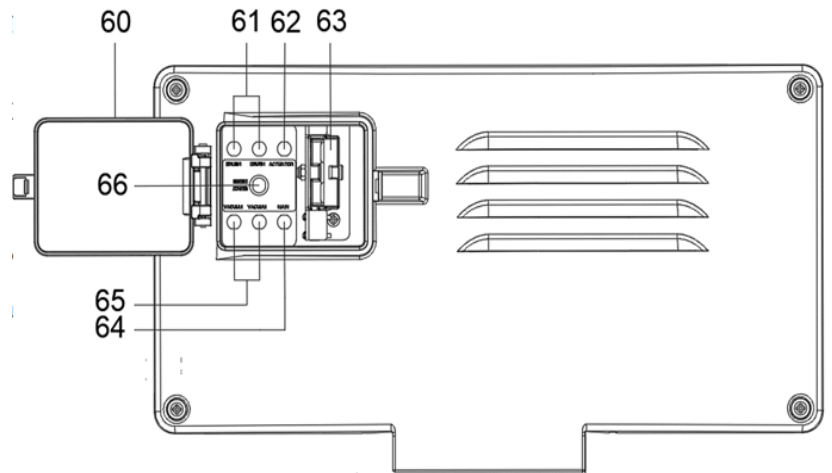
Σχήμα 2

ΠΙΝΑΚΑΣ ΕΛΕΓΧΟΥ (όπως φαίνεται)

- 47. Οθόνη προβολής πολλαπλών λειτουργιών
Προβαλλόμενα στοιχεία:
A) Τύπος μπαταρίας
B) Στάθμη φόρτισης μπαταρίας
C) Ώρες λειτουργίας
D) Λειτουργία ECO
E) Κανονική λειτουργία αναρρόφησης
F) Αθόρυβη λειτουργία αναρρόφησης
G) Λειτουργία όπισθεν
H) Ενεργή πρόσθετη πίεση
I) Ποσότητα ροής καθαριστικού διαλύματος
J) Λειτουργία βούρτσας
K) Λειτουργία αναρρόφησης
L) Διακόπτης ασφαλείας καθίσματος απενεργοποιημένος
- 48. Ενδεικτική λυχνία γεμάτου κάδου ακάθαρτου υγρού / άδειου κάδου καθαριστικού διαλύματος
- 49. Κουμπί ρύθμισης ταχύτητας
- 50. Πλήκτρα ρύθμισης ροής καθαριστικού διαλύματος
- 51. Εκκίνηση με ένα πλήκτρο
Λυχνία LED αναμμένη επάνω από το κουμπί - λειτουργία ενεργοποιημένη
·σύστημα νερού (επίπεδο 2)
·ελάχιστη πίεση (επίπεδο 1)
·κανονικό σύστημα αναρρόφησης
- 52. Κουμπί εμπρόσθιας-οπίσθιας κίνησης
- 53. Κλειδί μίζας (0=ΕΝΕΡΓΟΠΟΙΗΣΗ I=ΑΠΕΝΕΡΓΟΠΟΙΗΣΗ)
- 54. Πλήκτρο ρύθμισης συστήματος αναρρόφησης (για ενεργοποίηση, πατήστε το πλήκτρο για 1 δευτερόλεπτο)
Λυχνία LED αναμμένη σταθερά - κανονική λειτουργία
·Λυχνία LED που αναβοσβήνει - αθόρυβη λειτουργία
- 55. Πλήκτρο λειτουργίας ECO
Λυχνία LED αναμμένη επάνω από το κουμπί - λειτουργία ενεργοποιημένη
·ελάχιστη ροή νερού (επίπεδο 1)
·ελάχιστη πίεση (επίπεδο 1)
·Αναρρόφηση σε αθόρυβη λειτουργία
- 56. Ενεργοποίηση/απενεργοποίηση στηρίγματος βούρτσας/βάσης δίσκου
Λυχνία LED που αναβοσβήνει - Κουμπί ενεργοποιημένο
- 57. Πλήκτρα ρύθμισης πίεσης βούρτσας
- 58. Κουμπί κόρνας
- 59. Κουμπί μπροστινών φανών
- 60. Κάλυμμα βύσματος φορτιστή
- 61. Συστήματα προστασίας των κινητήρων βούρτσας από υπερφόρτιση (30A)
- 62. Σύστημα προστασίας ανύψωσης βούρτσας από υπερφόρτιση (3A)
- 63. Βύσμα φορτιστή
- 64. Σύστημα προστασίας κύριου κυκλώματος ελέγχου από υπερφόρτιση (5A)
- 65. Σύστημα προστασίας κινητήρα(ων) αναρρόφησης από υπερφόρτιση (30A)
- 66. Σύστημα προστασίας ανύψωσης μάκτρος από υπερφόρτιση (3A)



Σχήμα 3



Σχήμα 4

ΤΕΧΝΙΚΕΣ ΠΑΡΑΜΕΤΡΟΙ

Τύπος παραμέτρου	AS1050R
Τάση	36 V
Ονομαστική ισχύς (ΕΙΣΟΔΟΣ)	125A/4500W
Τάξη προστασίας IP	IP24
Χωρητικότητα του κάδου διαλύματος καθαρισμού	200L / 53 Gal.
Χωρητικότητα του κάδου ακάθαρτου υγρού	200L / 53 Gal.
Πλάτος τριψίματος	980mm/35,58 Inch
Διάμετρος βούρτσας/δίσκου	508 mm x 2 /20 inches x 2
Πίεση βούρτσας/δίσκου (μέγ.)	90 Kg /198 lbs.
Ισχύς κινητήρα βούρτσας (ΕΙΣΟΔΟΣ)	2 X 1000 Watt / 2 X 1.3 HP
Ταχύτητα βούρτσας σε κανονική λειτουργία	240 RPM
Ταχύτητα βούρτσας σε λειτουργία ECO	175 RPM
Ροή καθαριστικού διαλύματος (μέγ.) ανά ρύθμιση/λεπτό	(1.6/2.3/3.3/4.6) L / 0.42/0.61/0.87/1.22Gal
Στάθμη ηχητικής πίεσης (ένας κινητήρας αναρρόφησης)	72 ± 3 dB (A)
Στάθμη ηχητικής πίεσης (δύο κινητήρες αναρρόφησης) (*)	75 ± 3 dB (A)
Στάθμη ηχητικής πίεσης σε λειτουργία ECO ή σε αθόρυβη λειτουργία	69 ± 3 dB (A)
Ισχύς κινητήρα αναρρόφησης	600 W / 0,8 HP
Φόρτιση USB	5V 2.4A Μεγ.
Απόδοση (μέγ.)	7840 m ² /h/84389 ft ² /h
Ταχύτητα εργασίας	0 - 8 Km / 0 - 5 mph
Εμπρόσθια ταχύτητα	0 - 8 Km / 0 - 5 mph
Ταχύτητα όπισθεν	0 - 5 Km / 0 - 3,1 mph
Ισχύς του κινητήρα κίνησης (ΕΙΣΟΔΟΣ)	16100 W / 2,1 HP
Ελάχ. στροφή διαδρόμου	2650mm/104 Inches
Αναρριχτική ικανότητα (μέγ.) μετακίνησης	20%
Αναρριχτική ικανότητα (μέγ.) εργασίας	16%
Διάμετρος τροχού κίνησης	340mm/13,4 Inch
Πίεση τροχού κίνησης στο πάτωμα	0,68 N/mm ²
Διάμετρος εμπρός τροχού	250 mm/10 Inch
Πίεση μπροστινού τροχού στο πάτωμα	0,62 N/mm ²
Επίπεδο κραδασμών λαβής (μέγ.)	< 2,5 m/s ²
Μέγεθος χώρου μπαταρίας χωρίς βάση (M x Π x Y)	(680x560x450) mm / 26,7 x 22 x 17,7 inches
Μέγεθος του χώρου μπαταρίας με βάση (M x Π x Y) (*)	(665x550x430) mm / 26,1 x 21,6 x 16,9 inches
Μήκος μηχανήματος χωρίς μπροστινό προφυλακτήρα	1875mm/73,8 Inches
Πλάτος μηχανήματος χωρίς μάκτρο	1077mm/42,4 Inches
Ύψος μηχανήματος	1350 mm/53 Inch
Ύψος μηχανήματος (Με προστατευτικό πάνω από το ύψος του κεφαλιού)	1955 mm/77 Inch
Βάρος μηχανήματος με άδειους κάδους (χωρίς μπαταρίες)	398 Kg / 853,6 Lb
Μικτό βάρος οχήματος	870 Kg / 1914 Lb
Μικτό βάρος οχήματος (Με προστατευτικό πάνω από το ύψος του κεφαλιού)	897 Kg / 1973 Lb
Βάρος αποστολής	490 Kg / 1078 Lb
Διαστάσεις συσκευασίας (M x Π x Y)	(2110 x 1220 x 1535 mm) / (83x 48 x 60,4 inches)

(*) : Προαιρετικά

ΟΔΗΓΙΕΣ ΧΡΗΣΗΣ

**ΠΡΟΕΙΔΟΠΟΙΗΣΗ!**

Σε μερικά σημεία του μηχανήματος υπάρχουν αυτοκόλλητες πινακίδες που λένε:

- ΚΙΝΔΥΝΟΣ!
- ΠΡΟΕΙΔΟΠΟΙΗΣΗ!
- ΠΡΟΣΟΧΗ!
- ΣΥΜΒΟΥΛΕΥΣΗ

Κατά την ανάγνωση αυτού του εγχειριδίου, ο χειριστής πρέπει να προσέξει τα σύμβολα σε αυτές τις πινακίδες. Μην καλύπτετε αυτές τις πινακίδες για κανένα λόγο και αντικαταστήστε τις αμέσως εάν υποστούν ζημιά.

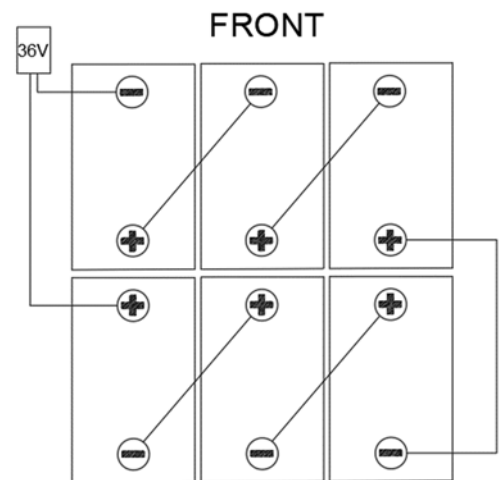
ΕΛΕΓΧΟΣ/ΡΥΘΜΙΣΗ ΜΠΑΤΑΡΙΑΣ ΣΕ ΚΑΙΝΟΥΡΙΟ ΜΗΧΑΝΗΜΑ

**ΠΡΟΕΙΔΟΠΟΙΗΣΗ!**

Τα ηλεκτρικά εξαρτήματα του μηχανήματος μπορεί να έχουν υποστεί σοβαρές ζημιές, εάν οι μπαταρίες είτε δεν έχουν εγκατασταθεί σωστά ή δεν έχουν συνδεθεί σωστά. Οι μπαταρίες θα πρέπει να εγκατασταθούν μόνο από εξειδικευμένο προσωπικό. Ρυθμίστε τον τύπο μπαταρίας ακολουθώντας την παρακάτω διαδικασία, ανάλογα με τον τύπο των μπαταριών που χρησιμοποιούνται (μπαταρίες WET ή GEL/AGM/DIS/ENE). Ελέγξτε τις μπαταρίες για τυχόν ζημιές πριν τις τοποθετήσετε. Αποσυνδέστε το βύσμα της μπαταρίας και το βύσμα του φορτιστή μπαταρίας. Χειριστείτε τις μπαταρίες με μεγάλη προσοχή. Τοποθετήστε τα καλύμματα προστασίας των πόλων της μπαταρίας που συνοδεύουν το μηχανήμα.

**ΣΗΜΕΙΩΣΗ**

Το μηχανήμα χρειάζεται έξι μπαταρίες 6V, συνδεδεμένες και τοποθετημένες στις θέσεις που φαίνονται στο σχήμα 5.



Σχήμα 5
Μπαταρίες ήδη εγκατεστημένες

στο μηχανήμα

1. Βεβαιωθείτε ότι το βύσμα της μπαταρίας έχει συνδεθεί.
2. Όταν χρησιμοποιείτε το μηχανήμα για πρώτη φορά με καινούριες μπαταρίες, πραγματοποιήστε έναν πλήρη κύκλο φόρτισης (δείτε τη διαδικασία στο κεφάλαιο <<Συντήρηση>>).

Χωρίς μπαταρίες

1. Προμηθευτείτε κατάλληλες μπαταρίες (Δείτε την παράγραφο <<Τεχνικά χαρακτηριστικά>>). Για επιλογή και τοποθέτηση της μπαταρίας, επικοινωνήστε με ειδικούς λιανοπωλητές μπαταριών.
2. Ρυθμίστε τον τύπο μπαταρίας ακολουθώντας την παρακάτω διαδικασία.

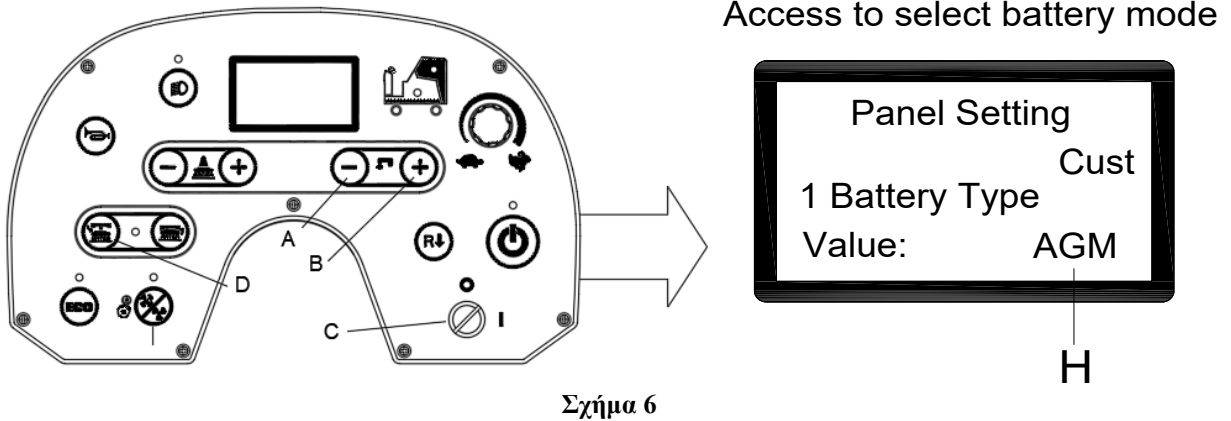
ΕΓΚΑΤΑΣΤΑΣΗ ΜΠΑΤΑΡΙΑΣ ΚΑΙ ΡΥΘΜΙΣΗ ΤΥΠΟΥ ΜΠΑΤΑΡΙΑΣ (WET /GEL/ AGM/ DIS/ENE)
Εγκατάσταση της μπαταρίας

1. Ανοίξτε το αριστερό και το δεξιό μάνδαλο (7, σχήμα 1).
2. Ανοίξτε το κάλυμμα του κάδου ακάθαρτου υγρού (5, σχήμα 1) και βεβαιωθείτε ότι ο κάδος ακάθαρτου υγρού (8, σχήμα 1) είναι άδειος, αλλιώς αδειάστε τον με το σωλήνα αποστράγγισης (38, σχήμα 2).
3. Κλείστε το καπάκι του κάδου ακάθαρτου υγρού (5, σχήμα 1).
4. Ανυψώστε προσεκτικά τον κάδο ακάθαρτου υγρού (8, σχήμα 1)
5. Αποσυνδέστε το καλώδιο του κάδου ακάθαρτου υγρού και αφαιρέστε ολόκληρη τη διάταξη του κάδου ακάθαρτου υγρού.
6. Αφαιρέστε μία βίδα από το καλώδιο στήριξης του κάδου ακάθαρτου υγρού (31, σχήμα 2) και αφαιρέστε τον κάδο ακάθαρτου υγρού.
7. Αφαιρέστε τις τέσσερις βίδες από το κάτω μέρος του κάδου ακάθαρτου υγρού.
Το μηχανήμα είναι εφοδιασμένο με καλώδια κατάλληλα για την τοποθέτηση έξι μπαταριών 6V. Τοποθετήστε προσεκτικά τις μπαταρίες μέσα στη θήκη, και στη συνέχεια εγκαταστήστε τις σωστά όπως φαίνεται στο σχήμα 5. Τοποθετήστε σωστά την πλάκα σταθεροποίησης μπαταριών.
8. Περάστε το καλώδιο της μπαταρίας και εγκαταστήστε το όπως φαίνεται στο σχήμα 5 και, στη συνέχεια, σφίξτε προσεκτικά το παξιμάδι σε κάθε πόλο της μπαταρίας.

9. Τοποθετήστε το προστατευτικό κάλυμμα σε κάθε πόλο και, στη συνέχεια, συνδέστε το βύσμα της μπαταρίας στο μηχάνημα.
10. Συναρμολογήστε ολόκληρη τη διάταξη του κάδου ακάθαρτου υγρού με σειρά αντίστροφη από την παραπάνω.
11. Κατεβάστε προσεκτικά το καπάκι του κάδου ακάθαρτου υγρού.

Ρύθμιση τύπου μπαταρίας (WET/GEL/AGM/DIS/ENE) Πρόσβαση στην επιλογή λειτουργίας μπαταρίας

Σύμφωνα με τον τύπο μπαταριών (WET/GEL/AGM/DIS/ENE), ρυθμίστε το μηχάνημα ως εξής:



Σχήμα 6

1. Πατήστε το πλήκτρο ροής νερού <<->> (A, σχήμα 6) και <<+>> (B, σχήμα 6) ταυτόχρονα.
2. Τοποθετήστε το κλειδί της μίζας (C, σχήμα 6) και γυρίστε το στη θέση <<I>>.
3. Μετά από αρκετά δευτερόλεπτα, μεταβείτε στην οθόνη επιλογής λειτουργίας μπαταρίας (σχήμα 6).
4. Πατήστε το πλήκτρο ροής νερού <<->> (A, σχήμα 6) και <<+>> (B, σχήμα 6) για να επιλέξετε λειτουργία μπαταρίας (H, σχήμα 6).
5. Πατήστε το κουμπί απελευθέρωσης (D, σχήμα 6), Μετά από 3 δευτερόλεπτα, εμφανίζεται η ένδειξη <<Update OK>>, που υποδεικνύει ότι η ρύθμιση ήταν επιτυχής. Πραγματοποιήστε επανεκκίνηση του μηχανήματος. (C, σχήμα 6).

Φόρτιση μπαταρίας

Φορτίστε πλήρως τις μπαταρίες (δείτε τη διαδικασία στο κεφάλαιο <<Συντήρηση>>).

Αποφόρτιση μπαταρίας

Όταν η ένδειξη των μπαταριών είναι πλήρης (G, σχήμα 7), οι μπαταρίες είναι πλήρως φορτισμένες. Όταν το σχήμα των μπαταριών είναι χαμηλό (H, Εικόνα 7), οι μπαταρίες θα πρέπει να φορτιστούν. Λίγα δευτερόλεπτα μετά την εμφάνιση της ένδειξης χαμηλής μπαταρίας, οι κινητήρες βούρτσας απενεργοποιούνται αυτόματα, ενώ το σύστημα κίνησης παραμένει ενεργοποιημένο. Μετακινήστε το μηχάνημα στον καθορισμένο χώρο φόρτισης άμεσα G



Σχήμα 7

ΤΟΠΟΘΕΤΗΣΗ ΚΑΙ ΑΦΑΙΡΕΣΗ ΒΟΥΡΤΣΑΣ/ΒΑΣΗΣ ΔΙΣΚΟΥ



ΣΗΜΕΙΩΣΗ

Εγκαταστήστε είτε τη βούρτσα (A, σχήμα 8) ή τη βάση δίσκου (B και Γ, σχήμα 8) σύμφωνα με τον τύπο του δαπέδου που πρόκειται να καθαριστεί.



ΠΡΟΣΟΧΗ!

Πριν εγκαταστήσετε ή αφαιρέσετε το μηχανισμό στήριξης βούρτσας/δίσκου, βεβαιωθείτε ότι όλοι οι διακόπτες που βρίσκονται πάνω στο μηχάνημα έχουν απενεργοποιηθεί και ανασηκώστε το μάκτρο από το πάτωμα. Ο χειριστής πρέπει να έχει τις ανάλογες προστατευτικές συσκευές προσωπικού, όπως, π.χ., γάντια, για περιορισμό του κινδύνου ατυχημάτων.

Ενεργήστε ως εξής:

ΕΓΚΑΤΑΣΤΑΣΗ:

1. Τοποθετήστε το κλειδί της μίζας (53, σχήμα 3) και γυρίστε το στη θέση <<I>>. Ανυψώστε την πλατφόρμα.
2. Τοποθετήστε τις βούρτσες (A, σχήμα 8) ή τις βάσεις δίσκου (B, σχήμα 8) κάτω από την πλατφόρμα. Χρησιμοποιήστε το στοπ εγκατάστασης βούρτσας (D, σχήμα 8) για να βρείτε τη σωστή θέση της βούρτσας/βάσης δίσκου.
3. Εγκαταστήστε τη βούρτσα/βάση δίσκου πατώντας το κουμπί της βούρτσας/βάσης δίσκου (F, σχήμα 8) και η βούρτσα/βάση δίσκου θα εγκατασταθεί αυτόματα. Εμφανίζεται η κατεύθυνση περιστροφής (σχήμα 8). Η ενδεικτική λυχνία LED αναβοσβήνει.



Σχήμα 8

ΑΦΑΙΡΕΣΗ:

1. Τοποθετήστε το κλειδί της μίζας (53, σχήμα 3) και γυρίστε το στη θέση <<I>>. Βεβαιωθείτε ότι η βούρτσα/βάση δίσκου έχει ανυψωθεί στη θέση (UP). Αφαιρέστε τη βούρτσα/βάση δίσκου πατώντας το κουμπί της βούρτσας/βάσης δίσκου (E, σχήμα 8) και η βούρτσα/βάση δίσκου θα απασφαλιστεί αυτόματα. Η ενδεικτική λυχνία LED θα να είναι αναμμένη σταθερά.

Αν πατήσετε το κουμπί απενεργοποίησης και το κουμπί ενεργοποίησης βούρτσας, πρέπει να απενεργοποιήσετε το κλειδί ανάφλεξης και, στη συνέχεια, να το ενεργοποιήσετε για να μπορέσει το μηχάνημα να λειτουργήσει ξανά.

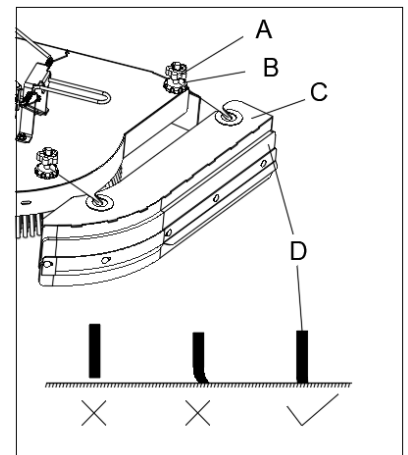
ΡΥΘΜΙΣΗ ΤΗΣ ΙΣΟΡΡΟΠΙΑΣ ΤΩΝ ΠΛΕΥΡΙΚΩΝ ΠΡΟΦΥΛΑΚΤΗΡΩΝ ΠΙΤΣΙΛΙΣΜΑΤΟΣ

Το ύψος του προφυλακτήρα πιτσιλίσματος πρέπει να παρακολουθείται και να ρυθμίζεται. Κατά τον καθαρισμό με το μηχάνημα, ελέγξτε την απόδοση των πλευρικών προφυλακτών πιτσιλίσματος.

- A. Εάν οι προφυλακτήρες πιτσιλίσματος είναι πολύ ψηλά, το κενό μεταξύ του προφυλακτήρα πιτσιλίσματος (D) και του δαπέδου θα αφήνει νερό στο δάπεδο κατά την πραγματοποίηση στροφών.
- B. Εάν οι προφυλακτήρες πιτσιλίσματος είναι πολύ χαμηλά, ο προφυλακτήρας πιτσιλίσματος (D) θα εκτρέπεται πολύ μακριά, αφήνοντας νερό κατά την πραγματοποίηση στροφών, μειώνοντας τη ζωή του προφυλακτήρα πιτσιλίσματος.
- C. Η ρύθμιση είναι σωστή όταν οι προφυλακτήρες πιτσιλίσματος αγγίζουν ελαφρά το δάπεδο από το μπροστινό έως το πίσω μέρος του προφυλακτήρα πιτσιλίσματος.

Η διαδικασία ρύθμισης πραγματοποιείται ως εξής:

1. Βεβαιωθείτε ότι η πλατφόρμα έχει ανυψωθεί στη θέση (UP).
2. Χαλαρώστε τα επάνω παξιμάδια συγκράτησης (A) και αφαιρέστε τη διάταξη προφυλακτήρα πιτσιλίσματος.
3. Ρυθμίστε τα κάτω παξιμάδια συγκράτησης (B) επάνω/κάτω.
4. Εγκαταστήστε ξανά τη διάταξη προφυλακτήρα πιτσιλίσματος και ελέγξτε τη ρύθμιση.
5. Επαναλάβετε 3. & 4, όπως απαιτείται, έως ότου να είναι σωστή η ρύθμιση του προφυλακτήρα πιτσιλίσματος.
6. Σφίξτε τα επάνω παξιμάδια συγκράτησης (A) για να ασφαλίσετε τη ρύθμιση.
7. Επαναλάβετε τη διαδικασία από την άλλη πλευρά του προφυλακτήρα πιτσιλίσματος.

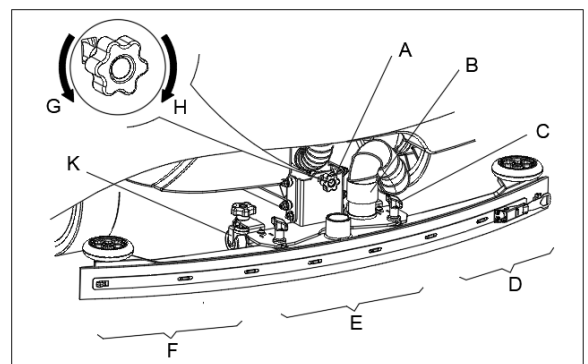


Σχήμα 9

ΡΥΘΜΙΣΗ ΙΣΟΡΡΟΠΙΑΣ ΤΟΥ ΜΑΚΤΡΟΥ

1. Τοποθετήστε το μάκτρο και βιδώστε τα παξιμάδια (C, σχήμα 10) και, στη συνέχεια, συνδέστε τον σωλήνα αναρρόφησης (B) στο μάκτρο.
2. Ρυθμίστε το μάκτρο ρυθμίζοντας τη λαβή του (A).
- a) Εάν υπάρχει κενό μεταξύ του εδάφους και του μεσαίου τμήματος του πτερυγίου του πίσω μάκτρου (E), ρυθμίστε το διακόπτη (A) δεξιόστροφα (H) μέχρις ότου όλα τα τμήματα του πτερυγίου του πίσω μάκτρου να κάνουν καλή επαφή με το έδαφος και το μπροστινό πτερύγιο να αγγίζει ελαφρώς το έδαφος.
- b) Εάν υπάρχει κενό μεταξύ του εδάφους και του πίσω τμήματος του πίσω πτερυγίου (D και F), ρυθμίστε το διακόπτη (A) αριστερόστροφα (G) μέχρις ότου όλα τα τμήματα του πίσω πτερυγίου να κάνουν καλή επαφή με το έδαφος και το μπροστινό πτερύγιο να αγγίζει ελαφρώς το έδαφος.

Εάν απαιτείται, ρυθμίστε όλο το ύψος του μάκτρου, ρυθμίζοντας το ύψος του τροχίσκου (K).



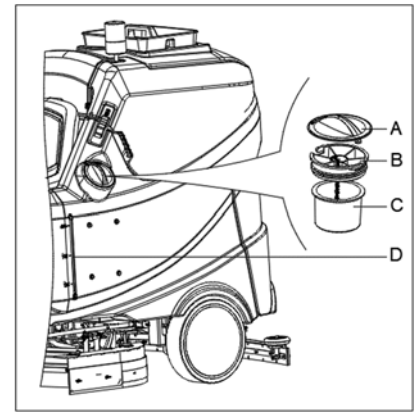
Σχήμα 10

ΚΑΔΟΣ ΔΙΑΛΥΜΑΤΟΣ ΚΑΘΑΡΙΣΜΟΥ

1. Ανοίξτε το κάλυμμα εισόδου νερού (Α, σχήμα 11).
2. Πληρώστε με νερό ή καθαριστικό διάλυμα κατάλληλο για το έργο που έχετε να κάνετε, μέσω της εισόδου νερού με φίλτρο.
Η θερμοκρασία του διαλύματος δεν πρέπει να υπερβαίνει τους +104F (+40°C).
3. Μη γεμίζετε υπερβολικά τον κάδο. Δείτε την ένδειξη στάθμης νερού (D) για την ποσότητα νερού που χρειάζεται.

**ΠΡΟΕΙΔΟΠΟΙΗΣΗ!**

Χρησιμοποιείτε μόνο απορρυπαντικά με λίγο αφρό και μη εύφλεκτα, που προορίζονται για εφαρμογές αυτόματης πλυντρίδας.



Σχήμα 11

ΕΠΙΘΕΩΡΗΣΗ ΚΙΝΗΤΗΡΩΝ ΚΙΝΗΣΗΣ ΚΑΙ ΜΗΧΑΝΙΚΩΝ ΦΡΕΝΩΝ

1. Γυρίστε το κλειδί της μίζας (Α, σχήμα 12) στη θέση <<I>> και καθίστε στο κάθισμα (C).
2. Πατήστε το πεντάλ γκαζιού (D) ελαφρά. Στη συνέχεια, απελευθερώστε το για να ελέγξετε εάν μπορείτε να κατευθύνετε το μηχάνημα προς τα εμπρός και να το σταματήσετε.
3. Για ασφάλεια, επιβεβαιώστε ότι μπορείτε να σταματήσετε αμέσως το μηχάνημα πατώντας το κουμπί έκτακτης ανάγκης (B). Περιστρέψτε το κουμπί έκτακτης ανάγκης για να το επαναφέρετε.
4. Πατήστε γρήγορα το πεντάλ μηχανικού φρένου (F) για να ελέγξετε αν το μηχάνημα μπορεί να σταματήσει αμέσως.

**ΠΡΟΕΙΔΟΠΟΙΗΣΗ!**

Η ικανότητα αναρίχησης εργασίας δεν πρέπει να υπερβαίνει το 16%. Όταν εργάζεστε σε πλαγιά, πρέπει να διατηρείτε τα μάνδαλα του κάδου (7, σχήμα 1) ασφαλισμένα. Για ασφάλεια, μην το σταματάτε ποτέ σε πλαγιά.

Κατά την ανηφορική πορεία σε κεκλιμένη επιφάνεια με μέγιστη κλίση 20%, ρυθμίστε το ποτενσιόμετρο περιορισμού ταχύτητας στη θέση μέγιστης ταχύτητας εκ των προτέρων. Πατήστε το πεντάλ γκαζιού έως το τέρμα κατά την ανηφορική πορεία στην κεκλιμένη επιφάνεια.

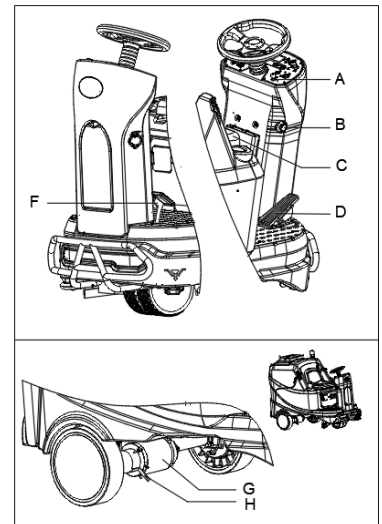
Αν εκτελείτε τρίψιμο σε κεκλιμένη επιφάνεια με μέγιστη κλίση 16%, ρυθμίστε το ποτενσιόμετρο περιορισμού ταχύτητας στη θέση μέγιστης ταχύτητας εκ των προτέρων. Αν εμφανίζεται στην οθόνη η ένδειξη «Error 4, Tra Overload», προσαρμόστε την πίεση της βούρτσας στη χαμηλότερη ρύθμιση.

Αν διαπιστώσετε ότι η ταχύτητα του μηχανήματος επιβραδύνεται όλο και περισσότερο και πλησιάζει σε κατάσταση ακινητοποίησης κατά την ανηφορική πορεία σε κεκλιμένη επιφάνεια, και εμφανίζεται στην οθόνη η ένδειξη «Error 4, Tra Overload», αφήστε αμέσως το πεντάλ γκαζιού αμέσως και πατήστε το μηχανικό φρένο.

Αν εμφανιστεί η ένδειξη «Error 4, Tra Overload» κατά την ανηφορική πορεία σε κεκλιμένη επιφάνεια, σταματήστε αμέσως και πατήστε το μηχανικό φρένο, απενεργοποιήστε τον διακόπτη κλειδιού και, στη συνέχεια, ενεργοποιήστε το κλειδί για επανεκκίνηση και εγκαταλείψτε την ανάβαση. Ρυθμίστε το ποτενσιόμετρο ορίου ταχύτητας σε θέση αργής ταχύτητας και, στη συνέχεια, πατήστε το κουμπί όπισθεν, απελευθερώστε το μηχανικό φρένο και πατήστε απαλά το γκάζι ώστε το μηχάνημα να μπορέσει να κινηθεί αργά προς τα πίσω μέχρι να φτάσει σε χαμηλότερη κλίση.

ΠΡΟΣΟΧΗ

Το φρένο του μοτέρ κίνησης είναι ελεύθερο όταν λειτουργεί κανονικά ο κινητήρας, και ασφαρίζει όταν ο κινητήρας είναι απενεργοποιημένος. Σε ορισμένες ειδικές περιπτώσεις, όπως κατά τη συσκευασία/αποσυσκευασία του μηχανήματος, όταν υπάρχει σφάλμα του μηχανήματος κ.λπ., μπορεί να χρειαστεί να ωθήσετε το μηχάνημα. Με επιλεγμένο το μοτέρ κίνησης (G, σχήμα 12), πιέστε προς τα κάτω τη λαβή του φρένου (H, σχήμα 12). Το μηχανικό φρένο απελευθερώνεται και το μηχάνημα μπορεί να μετακινηθεί. Μετά την ολοκλήρωση, σπρώξτε τη λαβή προς τα πάνω ώστε να επανέλθει στη θέση της, για να μπορέσει να λειτουργήσει το μηχάνημα.



Σχήμα 12

ΕΚΚΙΝΗΣΗ ΚΑΙ ΤΕΡΜΑΤΙΣΜΟΣ ΤΟΥ ΜΗΧΑΝΗΜΑΤΟΣ**Εκκινήστε το μηχάνημα**

1. Προετοιμάστε το μηχάνημα, όπως φαίνεται στην προηγούμενη παράγραφο.
2. Καθίστε στο κάθισμα (K, σχήμα 13), τοποθετήστε το κλειδί της μίζας (J, σχήμα 13) και γυρίστε το στη θέση <<I>>. Ελέγξτε την κατάσταση των μπαταριών από την οθόνη ενδείξεων. Αν απαιτείται, φορτίστε τις μπαταρίες (δείτε τη διαδικασία στο κεφάλαιο <<Συντήρηση>>).

3. Οδηγήστε το μηχάνημα στον χώρο εργασίας:

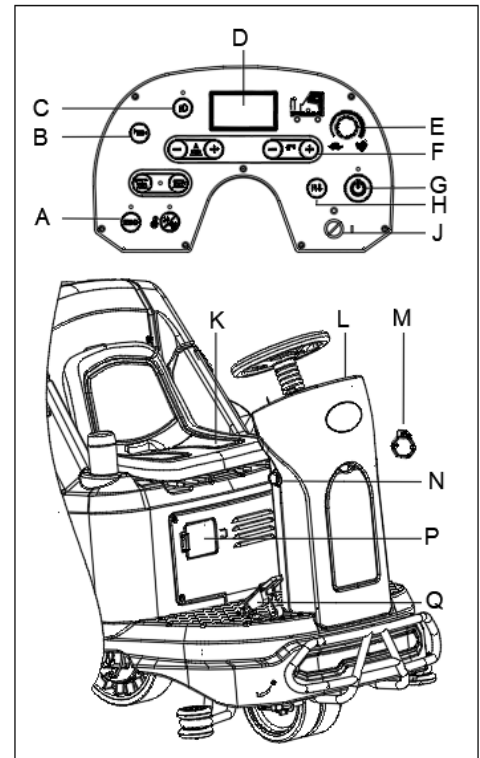
Η εμπρόσθια/οπίσθια κατεύθυνση μπορεί να ελεγχθεί με τον διακόπτη (H, σχήμα 13). Η ταχύτητα μπορεί να ρυθμιστεί με τον ρυθμιστή (E, σχήμα 13).

4. Πατήστε το κουμπί εκκίνησης με ένα πλήκτρο (G, σχήμα 13) για να εκκινήσετε το μηχάνημα. Το μάκτρο και οι βούρτσες χαμηλώνουν αυτόματα προς το δάπεδο και ο κινητήρας αναρρόφησης αρχίζει να λειτουργεί.
5. Πιέστε τους διακόπτες ελέγχου ροής διαλύματος (F, σχήμα 13) όσο χρειάζεται, ανάλογα με τον τύπο του καθαρισμού που πρέπει να εκτελεστεί.
6. Πατήστε το πεντάλ γκαζιού (Q, σχήμα 13) και αρχίστε τον καθαρισμό.
7. Μπορείτε να φορτίσετε το τηλέφωνό ή το tablet σας μέσω της θύρας φόρτισης USB (M, σχήμα 13), όταν το κλειδί της μίζας (J, σχήμα 13) βρίσκεται στη θέση <<I>>.
8. Πατήστε το κουμπί της κόρνας (B, σχήμα 13) για να προειδοποιείτε τους ανθρώπους όποτε χρειάζεται.
9. Εάν χρειαστεί, πατήστε το κουμπί έκτακτης ανάγκης (N, σχήμα 13) για να σταματήσει εκτάκτως το μηχάνημα.
10. Εάν χρειάζεται, πιέστε το κουμπί των μπροστινών φανών (C, σχήμα 13) για σκοτεινές περιοχές ή για να προειδοποιήσετε τους πεζούς.
11. Εάν χρειάζεται, ρυθμίστε το κάθισμα (K, σχήμα 13) στρέφοντας προς τα δεξιά τη λαβή στη δεξιά πλευρά του καθίσματος και, στη συνέχεια, σύρετε το κάθισμα στη σωστή θέση.



ΣΗΜΕΙΩΣΗ

Ο κινητήρας βούρτσας, ο κινητήρας απορρόφησης, το μοτέρ κίνησης και το κύκλωμα ελέγχου προστατεύονται από σύστημα προστασίας από υπερφόρτιση (P, σχήμα 13). Όταν πέφτει το σύστημα προστασίας από υπερφόρτιση, μην το επαναφέρετε αμέσως χωρίς να ανακαλύψετε την αιτία, και βεβαιωθείτε ότι το μοτέρ έχει κρυώσει πριν το επαναφέρετε.



Σχήμα 13

Σταματήστε το μηχάνημα

12. Απελευθερώστε το πεντάλ γκαζιού (Q, σχήμα 13). Το μηχάνημα σταματάει.
13. Πατήστε το κουμπί εκκίνησης με ένα πλήκτρο (G, σχήμα 13) για να σταματήσετε τις βούρτσες και τον κινητήρα αναρρόφησης. Οι βούρτσες και το μάκτρο ανασηκώνονται αυτόματα από το δάπεδο. Το σύστημα αναρρόφησης απενεργοποιείται μετά από μερικά δευτερόλεπτα.
14. Γυρίστε το κλειδί της μίζας στη θέση <<0>>.
15. Βεβαιωθείτε ότι το μηχάνημα δεν μπορεί να κινηθεί από μόνο του.

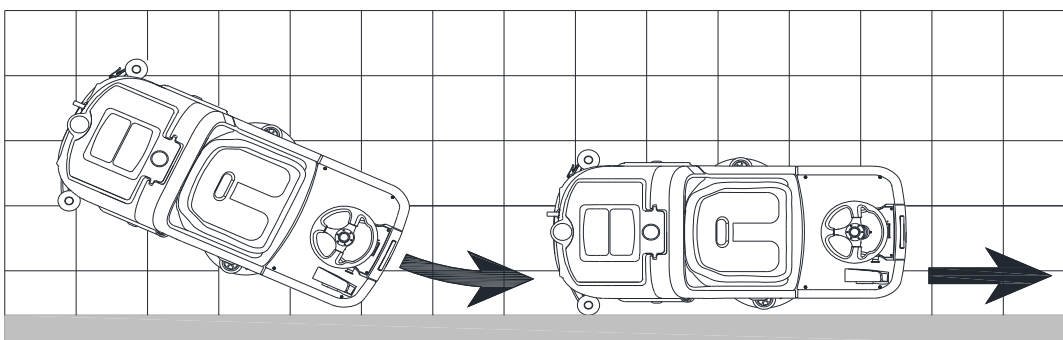
ΛΕΙΤΟΥΡΓΙΑ ΜΗΧΑΝΗΜΑΤΟΣ (ΤΡΙΨΙΜΟ ΚΑΙ ΣΤΕΓΝΩΜΑ)

1. Ξεκινήστε το μηχάνημα σύμφωνα με τις διαδικασίες στις προηγούμενες παραγράφους.
2. Ξεκινήστε τον καθαρισμό ακολουθώντας τις διαδικασίες που αναφέρονται στην ενότητα <<Εκκίνηση του μηχανήματος>>.
3. * Εάν χρειάζεται, σταματήστε το μηχάνημα για να ρυθμίσετε τους πλευρικούς προφυλακτήρες πιτσιλισματος σύμφωνα με την ενότητα <<Ρύθμιση ισορροπίας των πλευρικών προφυλακτών πιτσιλισματος>>.
4. Εάν χρειάζεται, σταματήστε το μηχάνημα για να ρυθμίσετε το μάκτρο σύμφωνα με την ενότητα <<Ρύθμιση ισορροπίας του μάκτρου>>.



ΣΗΜΕΙΩΣΗ

Για σωστό τρίψιμο/στέγνωμα των δαπέδων στις πλευρές των τοίχων. Συνιστάται να πλησιάζετε τους τοίχους με τη δεξιά πλευρά του μηχανήματος (σχήμα 14), όπως φαίνεται στο σχήμα.



Σχήμα 14

ΑΔΕΙΑΣΜΑ ΚΑΔΟΥ**Άδειασμα του κάδου ακάθαρτου υγρού**

Όταν στην οθόνη προβολής πολλαπλών λειτουργιών (47, σχήμα 3) εμφανιστεί η ένδειξη ERROR24 και ενεργοποιηθεί η ένδειξη γεμάτος κάδος ακάθαρτου υγρού (48, σχήμα 3). Υποδεικνύει ότι ο κάδος ακάθαρτου υγρού (C, σχήμα 15) είναι γεμάτος και ο κινητήρας αναρρόφησης δεν μπορεί πλέον να στεγνώσει το δάπεδο. Αδειάστε τον κάδο ακάθαρτου υγρού σύμφωνα με τα εξής βήματα:

1. Σταματήστε το μηχάνημα.
2. Ανυψώστε την πλατφόρμα της βούρτσας/βάσης δίσκου πατώντας το κουμπί εκκίνησης με ένα πλήκτρο (51, σχήμα 3)
3. Μετακινήστε το μηχάνημα στον καθορισμένο χώρο διάθεσης.
4. Αδειάστε τον κάδο ακάθαρτου υγρού με τον σωλήνα (D, σχήμα 15). Στη συνέχεια, ξεπλύνετε τον κάδο (C, σχήμα 15) με καθαρό νερό.

**ΠΡΟΣΟΧΗ!**

Κατά την αποστράγγιση των υγρών αποβλήτων, κρατήστε τον σωλήνα αποστράγγισης ψηλά και διπλώστε τον πάνω από το επάνω τμήμα, ώστε να αποφευχθεί η έκχυση αποβλήτων στον χειριστή.

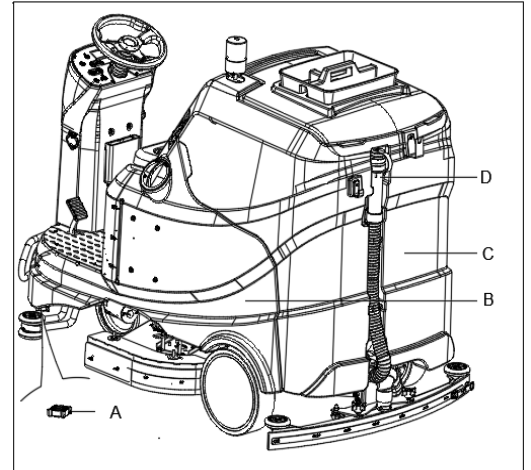
Άδειασμα του κάδου διαλύματος καθαρισμού/καθαρού νερού

1. Αδειάστε τον κάδο διαλύματος μέσα από το κάλυμμα εξόδου (A, σχήμα 15). Μετά το τέλος της εργασίας, ξεπλύνετε τον κάδο με καθαρό νερό.

ΜΕΤΑ ΑΠΟ ΤΗ ΧΡΗΣΗ ΤΟΥ ΜΗΧΑΝΗΜΑΤΟΣ

Μετά τη λειτουργία του μηχανήματος, και πριν το αφήσετε:

1. Αφαιρέστε τις βούρτσες/βάσεις δίσκων πατώντας το αριστερό πλήκτρο απασφάλισης (56, σχήμα 3) και στη συνέχεια καθαρίστε τα.
2. Αδειάστε τους κάδους (B και C, Εικόνα 15), όπως φαίνεται στην προηγούμενη παράγραφο.
3. Εκτελέστε τις καθημερινές διαδικασίες συντήρησης (βλ. κεφάλαιο Συντήρηση).
4. Φυλάξτε το μηχάνημα σε καθαρό και στεγνό μέρος, με τη βούρτσα/βάση δίσκου και το μάκτρο ανασηκωμένα ή βγαλμένα.
5. Χρησιμοποιήστε το στήριγμα από το καπάκι κάδου ακάθαρτου υγρού για να κρατήσετε το καπάκι ανοιχτό. Αυτό θα αποτρέψει τη συσσώρευση οσμών στο εσωτερικό.



Σχήμα 15

ΑΠΟΘΗΚΕΥΣΗ ΜΗΧΑΝΗΜΑΤΟΣ ΚΑΤΑ ΤΗ ΔΙΑΡΚΕΙΑ ΜΑΚΡΟΧΡΟΝΙΑΣ ΑΔΡΑΝΕΙΑΣ

Εάν δεν πρόκειται να χρησιμοποιηθεί το μηχάνημα για πάνω από 30 ημέρες, συνεχίστε ως εξής:

1. Εκτελέστε τις διαδικασίες που περιγράφονται στην παράγραφο <<Μετά από τη χρήση του μηχανήματος>>.
2. Αποσυνδέστε το βύσμα της μπαταρίας.

ΠΡΩΤΗ ΠΕΡΙΟΔΟΣ ΧΡΗΣΗΣ

Μετά τις πρώτες 8 ώρες, ελέγξτε τα στερεωτικά και συνδετικά μέρη του μηχανήματος εάν είναι σφιγμένα σωστά και ελέγξτε τα ορατά μέρη για φθορά και διαρροές.

ΣΥΝΤΗΡΗΣΗ**ΠΡΟΕΙΔΟΠΟΙΗΣΗ!**

Οι διαδικασίες συντήρησης πρέπει να εκτελούνται αφού απενεργοποιηθεί το μηχάνημα και αποσυνδεθεί το καλώδιο του φορτιστή μπαταρίας. Επιπλέον, διαβάστε προσεκτικά τα κεφάλαια ασφαλείας στις παρούσες οδηγίες.

Όλες οι προγραμματισμένες ή έκτακτες διαδικασίες συντήρησης πρέπει να εκτελούνται από εξειδικευμένο προσωπικό, ή από εξουσιοδοτημένο Κέντρο εξυπηρέτησης. Αυτό το εγχειρίδιο περιγράφει μόνο τις γενικές και κοινές διαδικασίες συντήρησης.

Για άλλες διαδικασίες συντήρησης που δεν περιλαμβάνονται στον παρακάτω πίνακα προγράμματος συντήρησης, επικοινωνήστε με το Τμήμα Τεχνικής Υποστήριξης.

ΠΙΝΑΚΑΣ ΠΡΟΓΡΑΜΜΑΤΙΣΜΕΝΗΣ ΣΥΝΤΗΡΗΣΗΣ

**ΠΡΟΣΟΧΗ!**

Η διαδικασία που είναι σημειωμένη με (1) πρέπει να εκτελείται όταν το μηχάνημα χρησιμοποιείται για πρώτη φορά, μετά από 8 ώρες. Η διαδικασία που είναι σημειωμένη με (2) πρέπει να γίνεται από Κέντρο εξυπηρέτησης που είναι εξουσιοδοτημένο από την εταιρεία μας.

Διαδικασία	Καθημερινά, μετά από κάθε χρήση	Μία φορά τη βδομάδα	Μία φορά το εξάμηνο	Μία φορά τον χρόνο
Φόρτιση μπαταρίας				
Καθαρισμός του μακτρού				
Καθαρισμός βούρτσας/βάσης δίσκου				
Καθαρισμός κάδου				
Επιθεώρηση λωρίδας στεγανοποίησης κάδου				
Καθαρισμός κουτιού συλλογής ακαθαρσιών				
Καθαρισμός βούρτσας/δίσκου				
Καθαρισμός προφυλακτήρα πιτσιλίσματος				
Έλεγχος και αντικατάσταση των πτερυγίων του μάκτρού				
Καθαρισμός φίλτρου διαλυματοσ				
Καθαρισμός φίλτρου εισαγωγής αναρρόφησης				
Έλεγχος στάθμης υγρού μπαταρίας WET				
Επιθεώρηση σφιζίματος της βίδας και του παξιμαδιού			(1)	
Προσθέστε λάδι λίπανσης στα περιστρεφόμενα μέρη (όπως λάδι φρένων)			(1)	
Έλεγχος ή αντικατάσταση στο καρβουνάκι του κινητήρα βούρτσας				(2)
Έλεγχος ή αντικατάσταση στο καρβουνάκι του κινητήρα αναρρόφησης				(2)
Έλεγχος ή αντικατάσταση στο καρβουνάκι του κινητήρα συστήματος κίνησης				(2)

INTRODUCCIÓN



¡ATENCIÓN!

Parte de la información general y detallada no está incluida en esta guía.

Por favor consulte el Manual GUÍA RÁPIDA DE INICIO proporcionado en CD-ROM para su lectura con Adobe® Reader®.



NOTA

Los números entre paréntesis hacen referencia a los componentes que se muestran en la sección Descripción de la Máquina.

PROPÓSITO Y CONTENIDOS DE ESTA GUÍA

El propósito del presente Manual de Instrucciones de Uso es proporcionar al operador toda la información básica, los datos técnicos, el funcionamiento, el almacenamiento, las piezas de repuesto, las condiciones de seguridad etc.

Antes de efectuar cualquier operación en la máquina, los operadores y los técnicos calificados tienen que leer cuidadosamente el Manual de Instrucciones de Uso. En caso de dudas sobre la correcta interpretación de las instrucciones, contacte con nuestra empresa para obtener más información.

CÓMO GUARDAR EL MANUAL DE INSTRUCCIONES DE USO

El manual de instrucciones de uso debe conservarse junto a la máquina, dentro de su contenedor, lejos de líquidos y otras sustancias que podrían dañarlo.

DECLARACIÓN DE CONFORMIDAD

La Declaración de conformidad se suministra con la máquina y certifica la conformidad de la máquina con la ley vigente.



NOTA

Las copias de la declaración de conformidad original se proporcionan junto con la documentación de la máquina.

ACCESORIOS Y MANTENIMIENTO

Todos los procedimientos de operación, mantenimiento y reparación necesarios deben ser realizados por personal calificado o por los centros de servicio designados de nuestra empresa. SOLO se permite el uso de accesorios y piezas de repuesto originales.

Póngase en contacto con el servicio de atención al cliente de nuestra empresa por cualquier servicio o compra de accesorios o piezas de repuesto según necesario.

CAMBIOS Y MEJORAS

Estamos comprometidos con la mejora continua de nuestros productos, y la empresa se reserva el derecho de aportar cambios y mejoras al producto sin aviso previo.

ÁMBITO DE APLICACIÓN

La fregadora está destinada al uso comercial e industrial. Es apropiada para la limpieza de suelos lisos y sólidos, cuando es utilizada por personal calificado en condiciones de seguridad. No es apta para el uso al aire libre o para la limpieza de alfombras o suelos ásperos.

DATOS DE IDENTIFICACIÓN DE LA MÁQUINA

El número de serie y el modelo de la máquina aparecen marcados en la etiqueta de serie.

Esta información es útil. Utilice la siguiente tabla para anotar los datos de identificación de la máquina a la hora de comprar piezas de repuesto para la máquina.

MODELO DE LA MÁQUINA.....
NÚMERO DE SERIE DE LA MÁQUINA.....

TRANSPORTE Y DESEMBALAJE

Cuando el transportista entrega la máquina, asegúrese de que el embalaje y la máquina se encuentran enteros y sin daños. Si se observaran desperfectos, avise al transportista sobre el daño, antes de aceptar las mercancías, para reservarse el derecho de indemnización.

Al desembalar la máquina siga estrictamente las instrucciones en el embalaje.

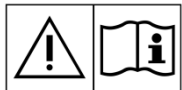
Compruebe el paquete y asegúrese de que los siguientes artículos están incluidos:

1. Documentación técnica -- Instrucciones de uso.
2. Componentes de conexión de la batería.
3. Manual del cargador de baterías electrónico (si está en dotación) (*)

SEGURIDAD

Los siguientes símbolos indican situaciones potencialmente peligrosas. Siempre lea atentamente esta información y tome todas las precauciones necesarias para salvaguardar a las personas y las propiedades.

SÍMBOLOS VISIBLES EN LA MÁQUINA



¡ADVERTENCIA!

Lea detenidamente todas las instrucciones antes de realizar cualquier operación en la máquina.



¡ADVERTENCIA!

No lave la máquina con chorros directos o agua a presión.



¡ADVERTENCIA!

No utilice la máquina en pendientes con un grado de inclinación superior al que se define en las especificaciones.

SÍMBOLOS QUE APARECEN EN EL MANUAL DE INSTRUCCIONES DE USO



¡PELIGRO!

Indica una situación peligrosa con riesgo de muerte para el operador.



¡ADVERTENCIA!

Indica un riesgo potencial de lesiones a las personas.



¡ATENCIÓN!

Indica una advertencia o una nota relacionada con funciones importantes o útiles. Preste atención a los párrafos marcados con este símbolo.



NOTA

Indica una observación relacionada con funciones importantes o útiles.



CONSULTA

Indica la necesidad de consultar el manual de instrucciones de uso antes de realizar cualquier procedimiento.

INSTRUCCIONES GENERALES DE SEGURIDAD

Advertencias y precauciones específicas para informar acerca de los posibles daños a las personas y a la máquina se muestran a continuación.



¡PELIGRO!

- Esta máquina debe ser operada por personal capacitado y autorizado de acuerdo con las instrucciones del manual.
- Antes de realizar cualquier procedimiento de limpieza, mantenimiento, reparación o sustitución, lea todas las instrucciones con cuidado, asegúrese de apagar la máquina y desconectar el conector de la batería.
- No utilice la máquina cerca de polvos, líquidos o vapores tóxicos, peligrosos, inflamables y/o explosivos. Esta máquina no es adecuada para la recogida de polvos peligrosos.
- Quítese las joyas cuando trabaje cerca de los componentes eléctricos.
- No trabajar bajo la máquina levantada si ésta no está fijada con los soportes de seguridad adecuados.
- Cuando se usan baterías de plomo (WET) pueden emitir gases inflamables en condiciones de uso normales por lo que hay que mantener las chispas, las llamas, los materiales humeantes y los objetos radiantes, luminosos y en llamas lejos de las baterías.
- Durante la carga, las baterías de plomo (WET) pueden emitir gas hidrógeno que es explosivo. Asegúrese de que el entorno de la carga está bien ventilado y lejos de llamas descubiertas.



¡ADVERTENCIA!

- Esta máquina es para USO COMERCIAL, por ejemplo en hoteles, colegios, hospitales, fábricas, tiendas y oficinas y negocios de alquiler.
- Las máquinas desatendidas deberán estar protegidas ante cualquier movimiento involuntario.
- Para evitar usos no autorizados de la máquina, la fuente de energía debe apagarse o bloquearse, por ejemplo quitando la llave del interruptor principal o la llave de encendido.
- Inspeccione cuidadosamente la máquina antes de cada uso. Asegúrese de que todos los componentes se encuentran montados seguramente antes de su uso. Los componentes sueltos podrían producir daños a las personas y a las propiedades.
- Nunca mueva la máquina tirando del cable del cargador de la batería. No pase el cable a través de puertas cerradas, ni lo enrolle alrededor de bordes o esquinas afiladas. No conduzca la máquina sobre el cable del cargador de la batería. Mantenga el cable del cargador de la batería lejos de superficies calientes.
- No cargue las baterías si el cable o el enchufe del cargador de la batería están dañados.
- Para reducir el riesgo de incendio, descargas eléctricas o lesiones, asegúrese de que la máquina está apagada antes de salir.
- Utilice o guarde la máquina en interiores en condiciones secas, no está permitido usarla al aire libre.
- La temperatura tanto de almacenamiento como de funcionamiento de la máquina debe ser entre 0 °C y +40 °C, la humedad del aire debe oscilar entre 30% y 95%.
- No utilice la máquina en pendientes con un grado de inclinación superior al que se define en la especificación.
- Durante el uso y manipulación de detergentes de limpieza de suelos, siga las instrucciones en las etiquetas del detergente y use guantes y protecciones adecuadas.
- Utilice cepillos y pads suministrados con la máquina o definidos en el manual. El uso de otros cepillos o pads podría reducir la seguridad.
- Cuando la máquina no funciona correctamente, asegúrese de que esto no sea causado por falta de mantenimiento. Si es necesario, solicite la asistencia del personal autorizado o se un Centro de asistencia autorizado.
- Tomar todas las precauciones necesarias para que el pelo, las joyas y las ropas no sean capturados por las partes móviles de la máquina.
- No usar la máquina en ambientes demasiado polvorientos.

- No lave la máquina con chorros directos o presurizados de agua, o con sustancias corrosivas.
- No chocar contra estanterías o andamios de los que puedan caer objetos.
- No poner recipientes de líquidos sobre la máquina, usar el portabebidas.
- Para evitar daños en el suelo, no permita que el cepillo/pad funcione mientras la máquina está parada.
- En caso de incendio, use un extintor de polvo seco. No utilice extintores líquidos.
- No retire ni modifique las pegatinas de la máquina.
- No manipule las protecciones de seguridad de la máquina y siga escrupulosamente las instrucciones para el mantenimiento programado.
- Tener cuidado durante el traslado de la máquina en condiciones de temperatura muy baja. El agua en el depósito de recuperación o en los tubos podría congelarse y dañar la máquina.
- Si deben sustituirse piezas, solicite piezas de repuesto ORIGINALES a un Concesionario y/o Revendedor autorizado.
- Lleve la máquina al Centro de asistencia si no funciona como de costumbre o está dañada.
- Para garantizar el funcionamiento correcto y seguro de la máquina, el mantenimiento programado que se muestra en el capítulo correspondiente de este manual, debe realizarlo el personal autorizado o los distribuidores o revendedores autorizados.
- La máquina debe desecharse de forma adecuada, debido a la presencia de materiales tóxicos dañinos (baterías, etc.), que están sujetos a las normas que requieren la eliminación en centros especiales (véase capítulo Desguace).
- Esta máquina es una herramienta de limpieza y no ha sido diseñada para ningún otro fin.
- Las aperturas deben mantenerse libre de polvo, hilacha, pelos y cualquier otro cuerpo extraño que pueda reducir el flujo de aire. No utilice la máquina si los orificios están obstruidos.
- Usar la máquina sólo en áreas con suficiente iluminación.
- Esta máquina no debe ser utilizada por personas (incluidos niños) con capacidades físicas, sensoriales o mentales reducidas, o con falta de experiencia y conocimientos.
- Tener mucho cuidado cuando se utiliza cerca de niños.
- Los niños deben ser supervisados para asegurarse de que no jueguen con el aparato.
- Cuando se usa esta máquina, tener cuidado de salvaguardar la incolumidad de personas y cosas.
- Los niños no pueden efectuar limpieza y mantenimiento de la máquina sin supervisión adecuada.
- Los operadores deberán haber recibido la capacitación adecuada para usar este tipo de máquinas.
- No use la máquina sin una estructura de protección contra caída de objetos (FOPS) en áreas donde es probable que el operador resulte golpeado por la caída de objetos.

DESCRIPCIÓN DE LA MÁQUINA

ESTRUCTURA DE LA MÁQUINA* - opcional

1. Volante
2. Asiento, ajustable (con interruptor de seguridad)
3. Luz de advertencia
4. Organizador multiuso (*)
5. Tapa del depósito de recuperación
6. Gancho
7. Pestillo (2)
8. Depósito de recuperación
9. Tapa del filtro
10. Soporte del tubo de llenado
11. Soporte del filtro
12. Depósito de la solución det.
13. Tubo de nivel de agua
14. Ruedas de tracción (con freno mecánico)
15. Protectores laterales contra salpicaduras
16. Conjunto del cepillo
17. Bomba
18. Ruedas parachoques
19. Cubierta de drenaje del depósito de solución
20. Ruedas delanteras
21. Luces delanteras
22. Filtro de solución
23. Parachoques delantero
24. Válvula de cierre de la solución
25. Pedal mecánico del freno
26. Cubierta de almacenamiento interno
27. Puerto de carga USB

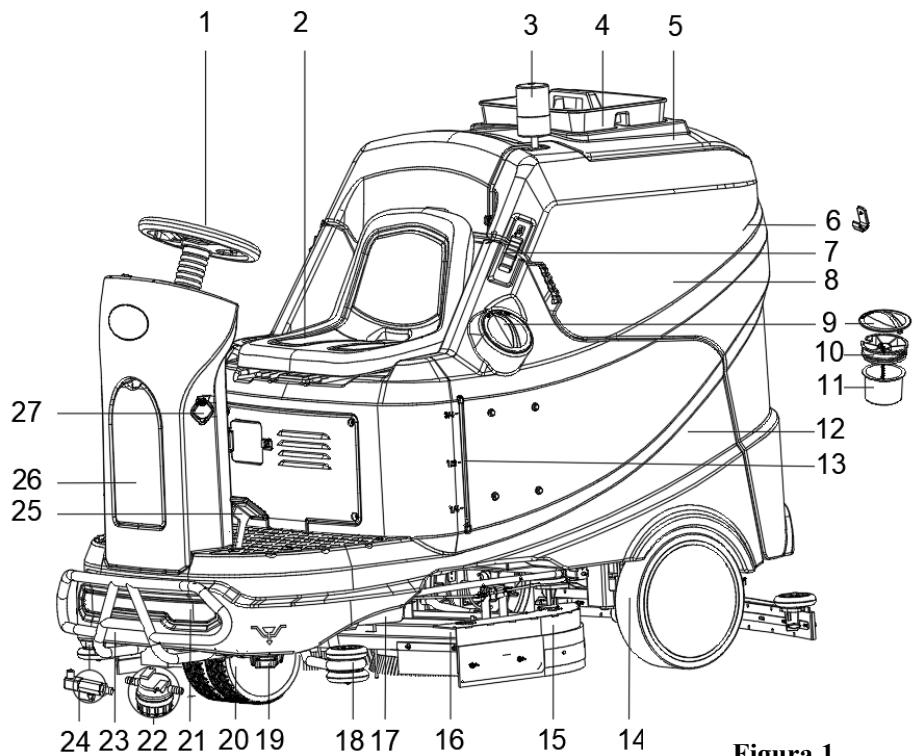


Figura 1

28. Panel de control
29. Botón de emergencia
30. Portavasos
31. Cable de soporte del depósito de recogida
32. Pedal de aceleración
33. Parada instalación conductor cepillo/pad
34. Reguladores de la boquilla
35. Perilla de ajuste ángulo boquilla
36. Tubo de aspiración de la boquilla
37. Boquilla
38. Tubo de descarga del agua de recuperación
39. Gancho de la boquilla
40. Caja de recogida de residuos
41. Filtro de toma de aspiración
42. Goma de la tapa del depósito
43. Baterías (N/A)
44. Bandeja de la batería (*)
45. Sistema de aspiración
46. Sistema de aspiración dual (*)

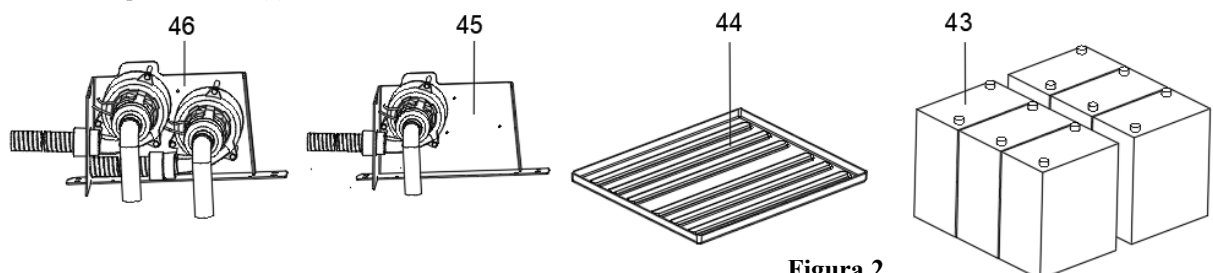
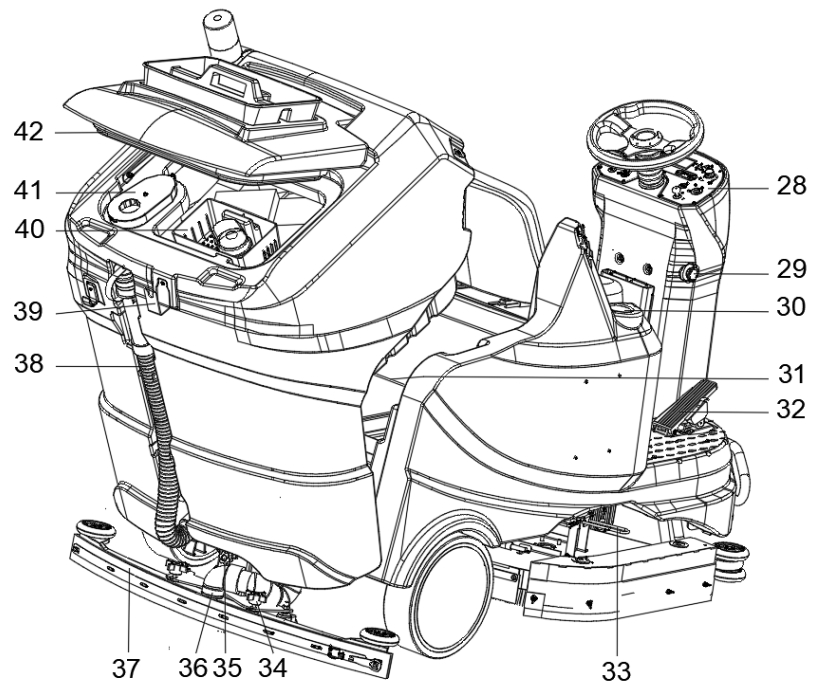


Figura 2

PANEL DE CONTROL (como se indica)

- 47. Pantalla multifunción
Visualizaciones:
A) Tipo de baterías
B) Nivel de carga de las baterías
C) Horas de trabajo
D) Modo ECO
E) Modalidad aspiración normal
F) Modalidad aspiración silenciosa
G) Modalidad marcha atrás
H) Presión adicional activada
I) Cantidad del flujo de la solución detergente
J) Modalidad de trabajo del cepillo
K) Modalidad aspiración
L) Interruptor de seguridad del asiento apagado
- 48. Indicador del depósito de recogida lleno/dépósito de solución vacío
- 49. Perilla de ajuste de velocidad
- 50. Botones de ajuste del flujo de la solución
- 51. Botón de arranque
·LED debajo de la función-botón activado
·sistema de agua (nivel 2)
·presión al mínimo (nivel 1)
·sistema de aspiración normal
- 52. Botón de avance y retroceso
- 53. Llave de encendido (0=Encendido I=Apagado)
- 54. Botón de ajuste del sistema de aspiración (pulse el botón 1 segundo para activarlo)
·LED fijo en modalidad normal
·LED intermitente - Modo silencioso
- 55. Botón modalidad ECO
·LED debajo de la función-botón activado
·flujo del agua al mínimo (nivel 1)
·presión al mínimo (nivel 1)
·aspiradora en modalidad silenciosa.
- 56. Clic de encendido/apagado cepillo/porta-pad
·LED parpadeante de bloqueo activado
- 57. Botones de ajuste presión cepillo
- 58. Bocina
- 59. Botón de luz delantera
- 60. Tapa del enchufe de carga
- 61. Protectores de sobrecarga del motor del cepillo (30 A)
- 62. Protector de sobrecarga del elevador del cepillo (3A)
- 63. Enchufe de carga
- 64. Protector de sobrecarga del circuito de control principal (5 A)
- 65. Protector de sobrecarga del/de los motor/es de vacío (30 A)
- 66. Protector de sobrecarga del elevador de la boquilla (3A)

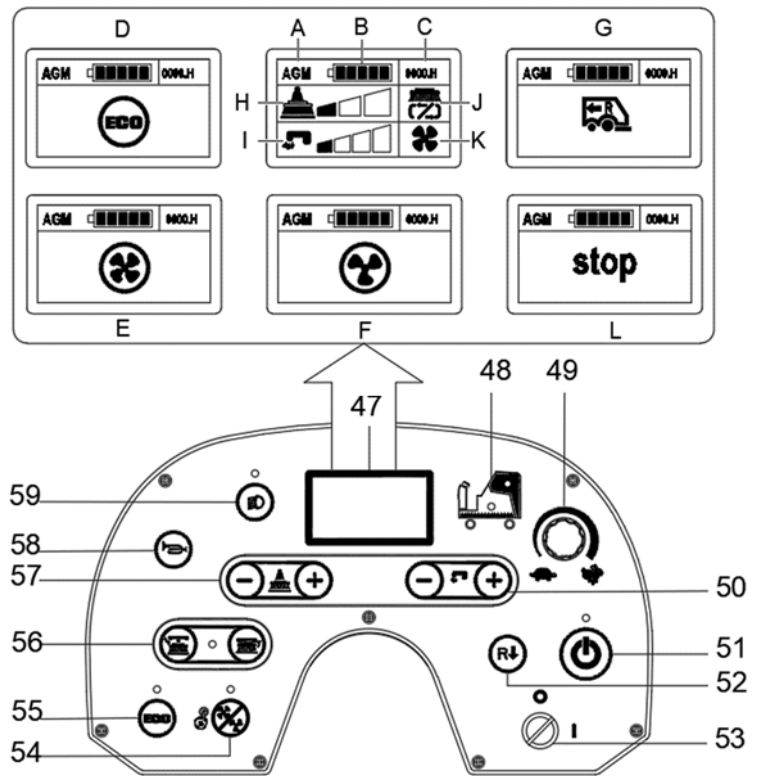


Figura 3

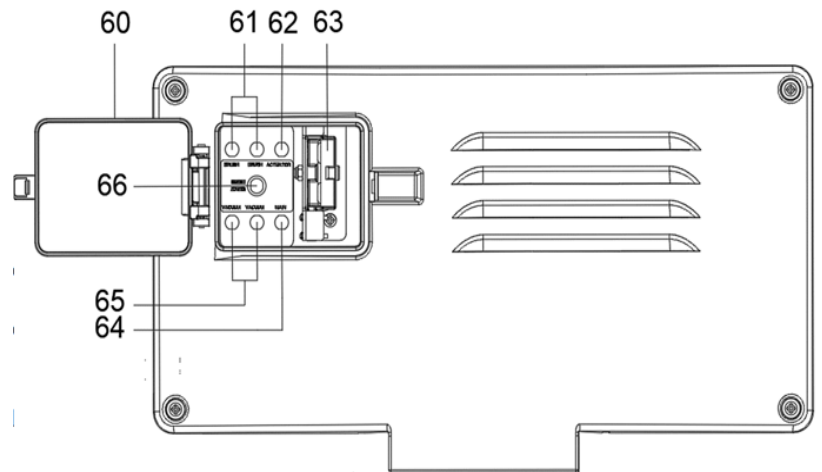


Figura 4

PARÁMETROS TÉCNICOS

Tipos de parámetros	AS1050R
Voltaje	36 V
Tensión nominal (ENTRADA)	125 A/4500 W
Grado de protección IP	IP24
Capacidad del depósito de la solución detergente	200 L / 53 Gal.
Capacidad del depósito de recogida	200 L / 53 Gal.
Ancho de fregado	980mm/35,58 pulg.
Diámetro cepillo/pad	508 mm 2/ 20 pulg. x 2
Presión del cepillo/pad (máx.)	90 Kg / 198 Lbs.
Potencia del motor del cepillo (ENTRADA)	2 x 1000 vatios / 2 x 1,3 HP
Velocidad cepillos en modalidad normal	240 RPM
Velocidad cepillos en modalidad ECO	175 RPM
Flujo de la solución detergente (máx) por configuración/minuto	(1,6/2,3/3,3/4,6) Litros / 0,42/0,61/0,87/1,22 Gal
Nivel de presión acústica (un motor de vacío)	72 ± 3 dB (A)
Nivel de presión acústica (dos motores de vacío) (*)	75 ± 3 dB (A)
Nivel de potencia acústica en modalidad ECO o en modalidad silenciosa	69 ± 3 dB (A)
Potencia del motor de aspiración	600 W/0,8 HP
Carga USB	5 V 2,4 A MÁX.
Productividad (máx)	7840 m ² /h/84389 ft ² /h
Velocidad de trabajo	0 – 8 km / 0 – 5 millas por hora
Velocidad hacia adelante	0 – 8 Km / 0 – 5 Millas por hora
Velocidad en marcha atrás	0– 5 Km / 0 – 3,1 Millas por hora
Potencia del motor de tracción (ENTRADA)	1600 W/2,1 HP
Rotación mínima pasillo	2650mm/104 pulg.
Capacidad de ascenso (máx.) transporte	20%
Capacidad de ascenso (máx.) trabajo	16%
Diámetro de la rueda de tracción	340mm/13,4 pulg.
Presión específica al suelo de la rueda de tracción	0,68 N/mm ²
Diámetro de la rueda delantera	250 mm/10 pulg.
Presión específica al suelo de la rueda delantera	0,62 N/mm ²
Nivel de vibración asa (máx)	< 2,5 m/s ²
Tamaño del compartimento de las baterías sin bandeja (L x W x H)	(680 x 560 x 450) mm / 26,7 x 22 x 17,7 pulgadas
Tamaño del compartimento de la batería con bandeja (L x W x H) (*)	(665 x 550 x 430) mm / 26,1 x 21,6 x 16,9 pulgadas
Longitud de la máquina sin parachoques delantero	1875mm/73,8 pulg.
Anchura de la máquina sin boquilla	1077mm/42,4 pulg.
Altura de la máquina	1350 mm/53 pulg.
Altura de la máquina (Con protección superior)	1955 mm/77 pulg.
Peso de la máquina con los depósitos vacíos (sin baterías)	398 Kg / 853,6 Lbs
Peso total de la máquina	870 Kg / 1914 Lbs
Peso total de la máquina (Con protección superior)	897 Kg / 1973 Lbs
Peso de transporte	490 Kg / 1078 Lbs
Dimensiones del embalaje (L x W x H)	(2110 x 1220 x 1535 mm) / (83 x 48 x 60,4 pulgadas)

(*): Opcional

GUÍA DE FUNCIONAMIENTO



¡ADVERTENCIA!

En algunos lugares de la máquina se encuentran algunas placas adhesivas que indican:

- ¡PELIGRO!
- ¡ADVERTENCIA!
- ATENCIÓN!
- CONSULTA

Durante la lectura de este manual, el operador debe prestar atención a los símbolos que aparecen en las placas. No cubra estas placas por cualquier motivo y reemplácelas inmediatamente si están dañadas.

CONTROL/CONFIGURACIÓN DE LA BATERÍA EN UNA MÁQUINA NUEVA



¡ADVERTENCIA!

Los componentes eléctricos de la máquina pueden resultar seriamente dañados si las baterías están mal instaladas o conectadas. Las baterías deben ser instaladas solamente por personal cualificado. Ajuste el tipo de batería siguiendo el procedimiento siguiente según el tipo de batería utilizado (WET o GEL/AGM/DIS/ENE). Antes de instalar las baterías, controlar que no estén dañadas. Desconecte el conector de batería y el enchufe el cargador de batería. Manipule las baterías con gran cuidado. Instale las tapas de protección de los terminales de las baterías suministradas con la máquina.



NOTA

La máquina requiere seis baterías de 6 V, conectadas e instaladas en las posiciones que se muestran en la figura 5.

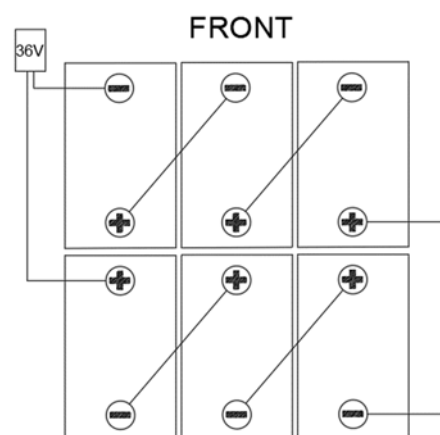


Figura 5

Baterías instaladas en la máquina y listas para su uso

1. Asegúrese de que el conector de las baterías esté conectado.
2. Cuando se utiliza la máquina por primera vez con baterías nuevas, efectúe un ciclo de carga completo de las baterías (véase procedimiento en el capítulo Mantenimiento).

Sin baterías

1. Compre baterías adecuadas (véase el párrafo «Datos técnicos»). Para elegir e instalar las baterías, contacte con distribuidores cualificados.
2. Ajuste el tipo de batería usando el procedimiento siguiente.

INSTALACIÓN DE LA BATERÍA Y CONFIGURACIÓN DEL TIPO DE BATERÍA (WET/GEL/AGM/DIS/ENE)

Instalación de las baterías

1. Abra los pestillos izquierdo y derecho (7, figura 1).
2. Abra la tapa del depósito de recogida (5, figura 1) y compruebe si el depósito de recogida (8, figura 1) está vacío; de lo contrario vacíelo mediante la manguera de desagüe (38, figura 2).
3. Cierre la tapa del depósito de recuperación (5, figura 1).
4. Eleve el depósito de recuperación (8, figura 1).
5. Desconecte el cable del depósito de recogida y retire el conjunto del depósito de recogida.
6. Retire un tornillo del cable de giro del depósito de recogida (31, figura 2) y tire del depósito hacia atrás.
7. Retire los cuatro tornillos del depósito de recogida en la parte inferior del mismo.

La máquina se entrega con los cables adecuados para instalar seis baterías de 6 V. Coloque con cuidado las baterías en el compartimiento y a continuación instélaslas correctamente como se muestra en la figura 5. Coloque la plaqueta fija de la batería correctamente.

8. Pase e instale el cable de la batería como se indica en la figura 5 y apriete cuidadosamente la tuerca en cada uno de los terminales de la batería.

9. Coloque la tapa de protección sobre cada terminal y conecte el conector de la batería a la máquina.
10. Monte todo el conjunto del depósito de recogida a la inversa con respecto al desmontaje.
11. Baje con cuidado el depósito de recogida.

Ajuste del tipo de batería (WET/GEL/AGM/DIS/ENE)
Acceso para seleccionar la modalidad batería

Según el tipo de baterías (WET/ GEL/AGM/DIS/ENE), configure la máquina realizando el procedimiento siguiente:

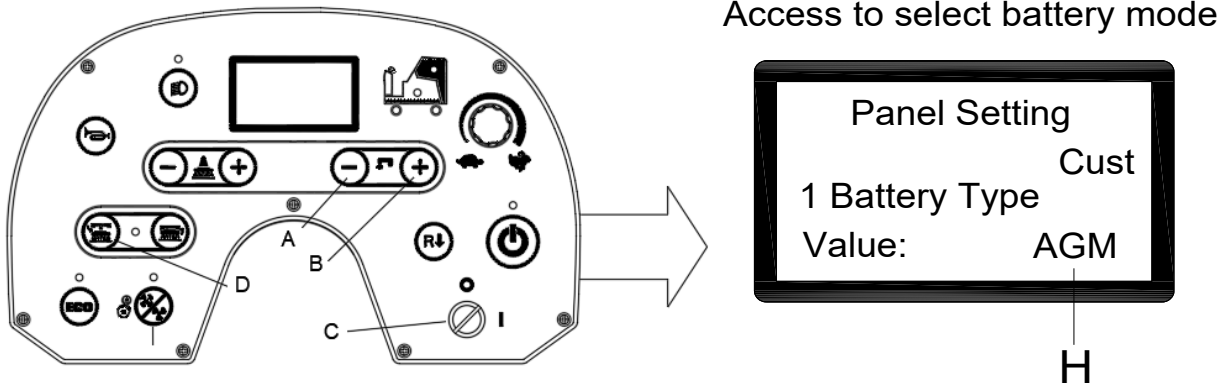


Figura 6

1. Pulse al mismo tiempo el botón del caudal de agua «->» (A, figura 6) y «+» (B, figura 6).
2. Introduzca la llave de encendido (C, figura 6) y colóquela en la posición «I».
3. Varios segundos más tarde, entre en la pantalla de selección del modo de batería (figura 6).
4. Pulse el botón del caudal de agua «->» (A, figura 6) y «+» (B, figura 6) para seleccionar el modo de batería (H, figura 6)
5. Pulse el botón de desbloqueo (D, figura 6). Al cabo de 3 segundos aparece «Actualización OK» esto quiere decir que la actualización se ha realizado correctamente, reinicie la máquina. (C, figura 6).

Carga de la batería

Efectuar un ciclo de carga completa de las baterías (véase procedimiento en el capítulo Mantenimiento).

Descarga de la batería

Cuando el indicador de batería está lleno (G, figura 7), las baterías están completamente cargadas. Cuando el indicador de batería es bajo (H, figura 7), es necesario cargar las baterías. Unos segundos después de que aparece el indicador de batería baja, los motores del cepillo se apagan automáticamente, mientras que el sistema de tracción permanece encendido. Lleve inmediatamente la máquina en el área designada para la carga de las baterías. G H

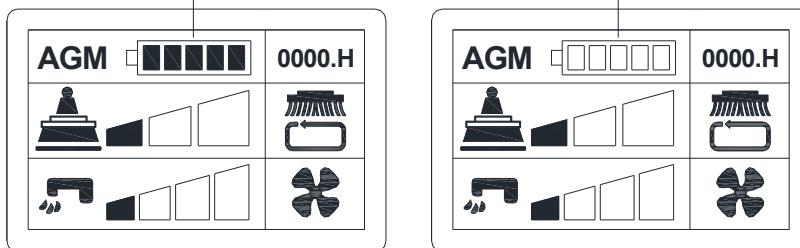


Figura 7

INSTALACIÓN Y EXTRACCIÓN DEL CEPILLO/ PORTA-PAD



NOTA

Instale el cepillo (A, figura 8) o el portapad (B y C, figura 8) según el tipo de suelo a limpiar.



¡ATENCIÓN!

Antes de la instalación o remoción del cepillo o portapad, asegúrese de que todos los interruptores de la máquina están en posición de apagado y la boquilla levantada del suelo. El operario debe estar equipado con dispositivos de protección como guantes para reducir el riesgo de accidentes.

Siga las instrucciones:

INSTALACIÓN:

1. Introduzca la llave de encendido (53 figura 3) y colóquela en la posición «I». Eleve el cabezal.
2. Coloque los cepillos (A, figura 8) o porta-pads (B, figura 8) debajo del cabezal. Utilice el tope de instalación del cepillo (D, figura 8) para ayudar a encontrar la posición adecuada del cepillo/portapad.
3. Instale el cepillo/portapad, presionando el botón de bloqueo del cepillo/portapad (F, figura 8), el cepillo/portapad se instala automáticamente. Se muestra la dirección de rotación (figura 8). La luz indicadora del LED parpadeará.

REMOCIÓN:

1. Introduzca la llave de encendido (53 figura 3) y colóquela en la posición «I». Asegúrese de que el cepillo/portapad esté en su posición elevada (ARRIBA). Retire el cepillo/portapad, presionando el botón de desbloqueo del cepillo/portapad (E, figura 8), el cepillo/portapad se desbloquea automáticamente. La luz

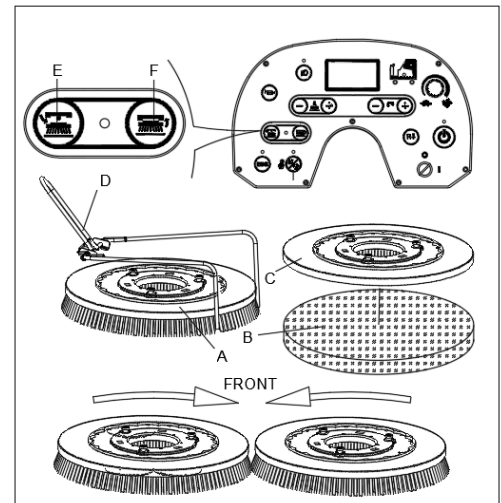


Figura 8

Si pulsa el botón de apagado del cepillo y pulsa el botón encendido, debe apagar la llave de encendido y luego encenderla para que la máquina pueda volver a funcionar.

AJUSTE DE LOS PROTECTORES LATERALES CONTRA SALPICADURAS

Es necesario monitorizar y ajustar la altura del protector contra salpicaduras. Durante la limpieza con la máquina, compruebe el rendimiento de los protectores laterales contra salpicaduras.

- A. Si los protectores contra salpicaduras son demasiado altos, el espacio entre el protector contra salpicaduras (D) y el suelo, dejará agua en el suelo durante los turnos.
- B. Si los protectores contra salpicaduras son demasiado bajos, el protector contra salpicaduras (D) se desviará demasiado, dejando agua durante los turnos y reduciendo la vida útil del protector contra salpicaduras.
- C. El ajuste adecuado es cuando los protectores contra salpicaduras tocan ligeramente el suelo de la parte delantera a la trasera del protector contra salpicaduras.

El procedimiento de ajuste es el siguiente:

1. Asegúrese de que el cabezal esté en su posición elevada (ARRIBA).
2. Afloje las tuercas de retención superiores (A) y retire el conjunto de protección contra salpicaduras.
3. Ajuste las tuercas de retención inferiores (B) hacia arriba/abajo.
4. Vuelva a instalar el conjunto de protección contra salpicaduras y compruebe el ajuste.
5. Repita el paso 3. y 4 según sea necesario hasta que el ajuste del protector contra salpicaduras sea correcto.
6. Apriete las tuercas de retención de la parte superior (A) para asegurar el ajuste.
7. Repita el procedimiento en el otro protector lateral contra salpicaduras.

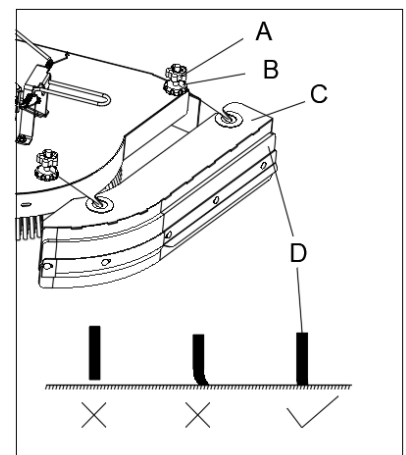


Figura 9

AJUSTE DE LA ESTABILIDAD DE LA BOQUILLA

1. Instale la boquilla y apriete las tuercas (C, figura 10) y conecte el tubo de aspiración (B) a la boquilla.
2. Ajuste la boquilla mediante la perilla de ajuste (A).
 - a) Si queda un espacio entre el suelo y la sección media del labio trasero de la boquilla (E), ajuste la perilla (A) a derechas (H) hasta que la entera sección del labio trasero de la boquilla entre en contacto con el suelo y el labio delantero toque ligeramente el suelo.
 - b) Si queda espacio entre el suelo y los dos extremos del labio trasero (D y F), ajuste la perilla (A) a izquierdas (G) hasta que la entera sección del labio trasero entre en contacto con el suelo y el labio delantero toque ligeramente el suelo.

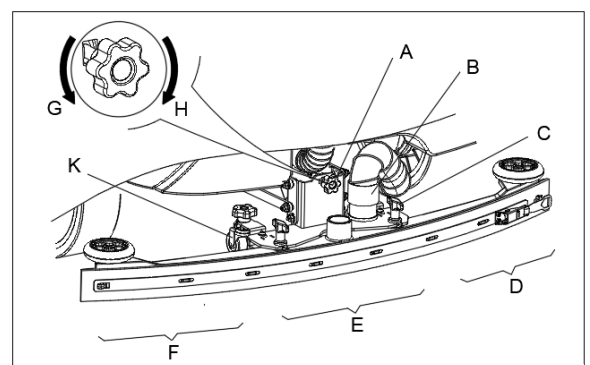


Figura 10

De ser necesario, ajuste toda la altura de la boquilla ajustando la altura de la rueda pivotante (K).

LLENADO DEL DEPÓSITO DE LA SOLUCIÓN

1. Abra la tapa de entrada del agua (A, figura 11).
2. A través de la entrada de agua con filtro, llene agua o solución adecuada para el tipo de trabajo a realizar.
La temperatura de la solución detergente no debe superar +104°F (40°C).
3. No llene demasiado el depósito, refiérase al indicador del nivel de agua (D) en cuanto al volumen del agua.



¡ADVERTENCIA!

Utilice solo detergentes no inflamables y de baja espuma, indicados para el uso en fregadoras automáticas.

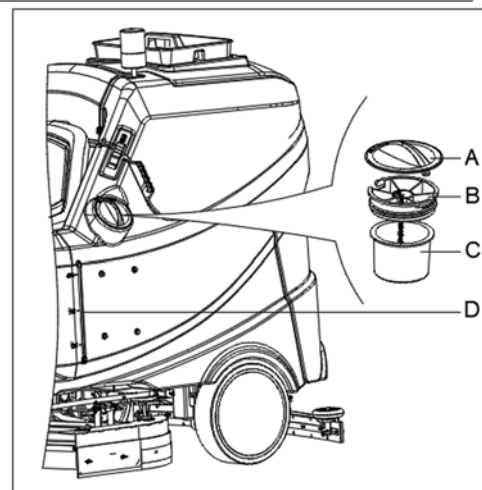


Figura 11

INSPECCIÓN DEL MOTOR DE TRACCIÓN Y DEL FRENO MECÁNICO

1. Gire la llave de encendido (A figura 12) hasta «I» y siéntese en el asiento (C).
2. Pise el pedal de aceleración (D) suavemente y suéltelo para comprobar que la máquina puede orientarse hacia adelante y detenerse.
3. Para mayor seguridad, compruebe que la máquina puede detenerse de inmediato al presionar el botón de emergencia (B). Gire el botón de emergencia para reiniciarlo.
4. Pise el pedal de freno mecánico (F) rápidamente para comprobar si la máquina puede detenerse inmediatamente.



¡ADVERTENCIA!

La capacidad de ascenso de trabajo no debe superar el 16 %.
Al trabajar en pendiente, debe mantener los pestillos del depósito (7 figura 1) acoplados. Por seguridad, nunca lo detenga en pendiente.

Al subir una pendiente con una inclinación máxima del 20%, ajuste con antelación el potenciómetro del limitador de velocidad a la posición de velocidad máxima. Empuje el pedal del acelerador al máximo mientras sube la pendiente.

Si se friega en una pendiente con una inclinación máxima del 16%, ajuste con antelación el potenciómetro del limitador de velocidad a la posición de velocidad máxima. Si la pantalla muestra «Error 4, Tra Overload», ajuste la presión del cepillo al ajuste más bajo.

Si encuentra que la velocidad de la máquina se está volviendo más lenta y cerca del estado de parada en el proceso de subir una pendiente y se muestra en la pantalla «Error 4, Tra Overload» suelte inmediatamente el pedal del acelerador y pise el freno mecánico.

Si aparece «Error 4, Tra Overload» en el proceso de subir una pendiente, deténgase inmediatamente y pise el freno mecánico, apague el interruptor de encendido y luego encienda la llave para reiniciar y abandonar la operación de subida. Ajuste el potenciómetro del limitador de velocidad a una posición de velocidad lenta, y luego presione el botón hacia atrás, suelte el freno mecánico, pise suavemente el acelerador para que la máquina pueda moverse hacia atrás lentamente hasta que se haya alcanzado una inclinación más baja.

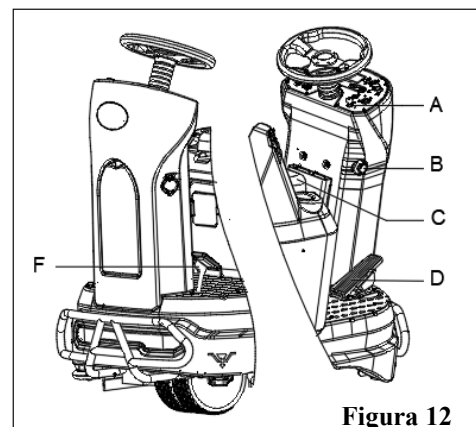
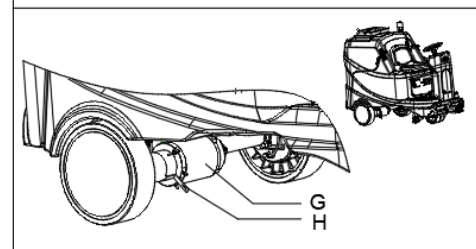


Figura 12



¡PRECAUCIÓN!

El freno del motor de tracción está desbloqueado cuando el motor funciona normalmente, se bloquea cuando el motor se apaga. En algunos casos especiales, como el embalaje/desembalaje de la máquina, fallo de la máquina, etc., puede ser necesario empujar la máquina. En el motor de tracción (G figura 12) empuje hacia abajo el mango del freno (H figura 12), el freno de la máquina se suelta y la máquina se puede mover. Después de completar, empuje el mango hacia atrás para que la máquina pueda funcionar.



PUESTA EN MARCHA Y PARADA DE LA MÁQUINA

Puesta en marcha de la máquina

1. Preparar la máquina como indicado en el párrafo anterior.
2. Siéntese en el asiento (K, figura 13), inserte la llave de encendido (J, figura 13) y gírela hasta «I». Compruebe el estado de la batería desde la pantalla de visualización. Si es necesario cargar las baterías (véase el procedimiento en el capítulo Mantenimiento).

3. Conduzca la máquina a la zona de trabajo.

La dirección de avance/retroceso se puede controlar con el interruptor (H, figura 13). La velocidad de avance se puede ajustar con el regulador (E, figura 13).

4. Pulse el botón de arranque (G, figura 13) para poner en marcha la máquina, la boquilla y los cepillos se bajan al suelo automáticamente y el motor de vacío comienza a funcionar.
5. Accione los botones de ajuste de caudal de la solución detergente (F, figura 13) según sus necesidades, en función de la limpieza que se ha de realizar.
6. Pise el pedal del acelerador (Q, figura 13) y comience la limpieza.
7. Puede cargar su teléfono o tableta con el puerto de carga USB (M, figura 13) cuando la llave de encendido (J, figura 13) esté en «I».
8. Presione el botón de bocina (B, figura 13) para avisar a las personas cuando sea necesario.
9. De ser necesario, presione el botón de emergencia (N, figura 13) para la parada de emergencia de la máquina.
10. De ser necesario, pulse el botón de luces delanteras (C, figura 13) para las zonas oscuras o para advertir a los peatones.
11. De ser necesario, ajuste el asiento (K, figura 13) girando a la derecha el mango de la derecha del asiento y deslice el asiento a la posición correcta.



NOTA

El motor del cepillo, el motor de vacío, el motor de tracción y el circuito de control están protegidos por un protector de sobrecarga (P, figura 13). Cuando se dispara un protector de sobrecarga, no lo reinicie inmediatamente sin averiguar la raíz del problema, y asegúrese de que el motor se haya enfriado antes de reiniciarlo.

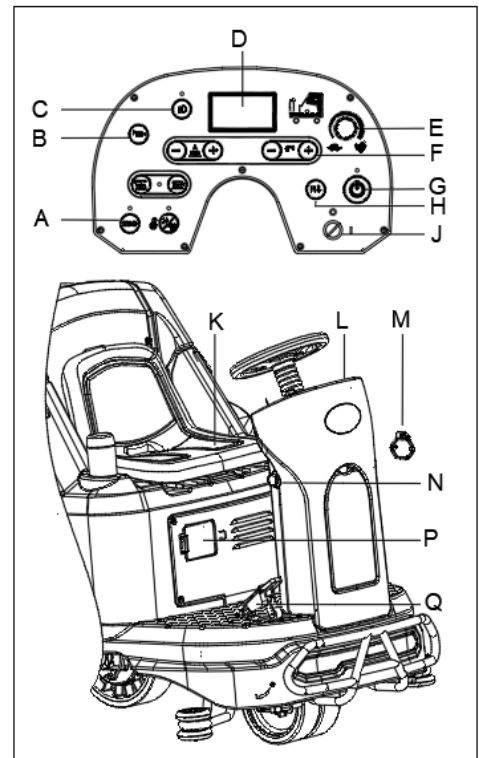


Figura 13

Parar la máquina

12. Suelte el pedal del acelerador (Q, figura 13), la máquina deja de funcionar.
13. Pulse el botón de arranque (G, figura 13) para detener los cepillos y aspirar el motor. Los cepillos y la boquilla se levantan del suelo automáticamente. El sistema de aspiración se apaga al cabo de algunos segundos.
14. Coloque la llave de encendido en la posición «0».
15. Asegúrese de que la máquina no pueda moverse de forma autónoma.

CONDUCCIÓN DE LA MÁQUINA (FREGAR Y SECAR)

1. Encienda la máquina siguiendo los procedimientos de los párrafos anteriores.
2. Comience a limpiar siguiendo las instrucciones en la sección «Puesta en marcha de la máquina».
3. De ser necesario, detenga la máquina para ajustar los protectores laterales contra salpicaduras según la sección «Ajuste de los protectores laterales contra salpicaduras».
4. De ser necesario, detenga la máquina para ajustar la boquilla según la sección «Ajuste de la boquilla».



NOTA

Para un correcto lavado/secado de los suelos en los bordes de las paredes. Se aconseja acercarse a las paredes con la parte derecha de la máquina (figura 14) como se indica en la figura.

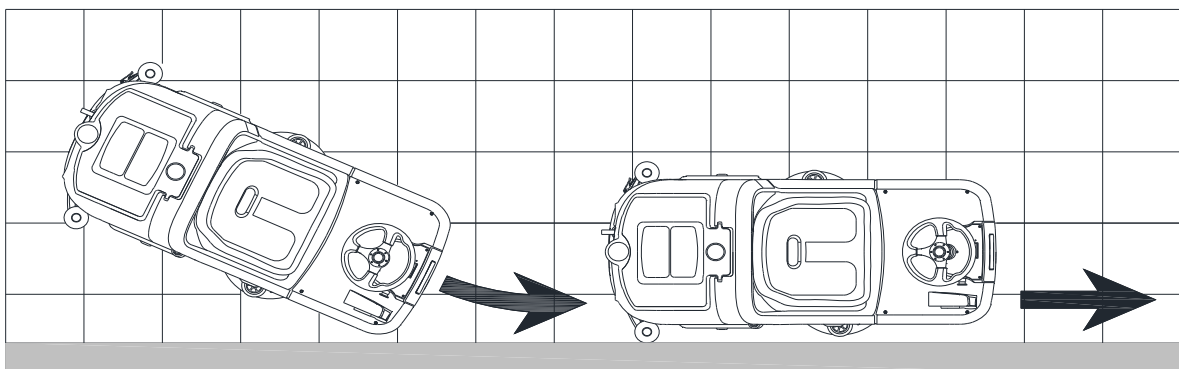


Figura 14

VACIAR LOS DEPÓSITOS

Vaciar el depósito de agua sucia

Cuando la pantalla multifunción (47, figura 3) muestra ERROR24 y el indicador del depósito de recogida lleno (48, figura 3) está encendido. Indica que el depósito de recogida (C, figura 15) está lleno, el motor de vacío ya no puede secar el suelo. Vacíe el depósito de recogida de la siguiente manera:

1. Parar la máquina.
2. Baje el cabezal portacepillos/portapads y la boquilla presionando el botón de arranque (51 figura 3).
3. Llevar la máquina en el área de eliminación designada.
4. Vacíe el depósito de recogida con el tubo (D figura 15). Luego, enjuague el depósito (C, figura 15) con agua limpia.



¡ATENCIÓN!
Al drenar las aguas residuales, mantenga la manguera de drenaje alta y dóblela sobre la sección superior para evitar derrames sobre el operador.

Vaciar el depósito de solución/agua limpia

1. Vacíe el depósito de solución detergente con la tapa de salida (A, figura 15). Después del uso, enjuague el depósito con agua limpia.

DESPUÉS DEL USO DE LA MÁQUINA

Después de usar, antes de guardar la máquina:

1. Retire los cepillos/portapads presionando el botón de desbloqueo izquierdo (56, figura 3) y límpielos.
2. Vacíe los depósitos (B y C, figura 15) tal y como se indica en el párrafo anterior.
3. Lleve a cabo los procedimientos de mantenimiento diario (véase el capítulo Mantenimiento).
4. Guarde la máquina en un lugar limpio y seco, con los cepillos/porta-pads y la boquilla levantados o desmontados.
5. Utilice el soporte de la tapa del depósito de recogida para mantener la tapa abierta. Esto ayudará a evitar que se acumulen olores en el interior.

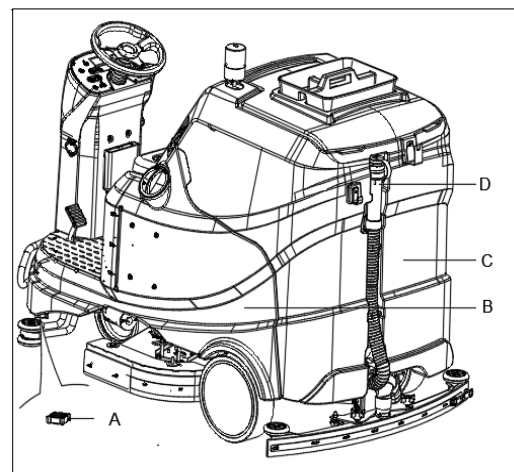


Figura 15

ALMACENAMIENTO DE LA MÁQUINA DURANTE LARGOS PERIODOS DE INACTIVIDAD

Si la máquina no va a ser utilizado durante más de 30 días, proceda de la siguiente manera:

1. Realice los procedimientos que se muestran en el párrafo Después del uso de la máquina.
2. Desconecte el conector de la batería.

PRIMER PERÍODO DE USO

Después de las primeras 8 horas, compruebe si los elementos de sujeción y unión de la máquina están bien apretados e inspeccione las partes visibles en busca de desgaste y fugas.

MANTENIMIENTO



¡ADVERTENCIA!
Los procedimientos de mantenimiento deben ser realizados cuando la máquina está apagada y el cable del cargador de la batería está desconectado. Además, lea atentamente los capítulos de seguridad en estas instrucciones.

Todos los procedimientos de mantenimiento programado o extraordinario deben ser realizados por personal cualificado o un Centro de asistencia autorizado. Este manual sólo describe los procedimientos de mantenimiento generales y comunes.

Para otros procedimientos de mantenimiento que no se encuentran en la tabla del programa de mantenimiento siguiente, contacte con nuestro Departamento de Soporte Técnico.

TABLA DE MANTENIMIENTO PROGRAMADO



¡ATENCIÓN!

El procedimiento marcado con (1) debe realizarse 8 horas después del primer uso de la máquina. El procedimiento marcado con (2) debe ser realizado por el Centro de asistencia designado por nuestra empresa.

Procedimiento	Diario, después de cada uso	Semanal	Cada 6 meses	Anualmente
Carga de la batería				
Limpieza de la boquilla				
Limpieza del cepillo/porta-pad				
Limpieza de los depósitos				
Inspección de las tiras de la goma del depósito				
Limpieza de la caja de recogida de residuos				
Limpieza del cepillo/pad				
Limpieza de las protecciones contra salpicaduras				
Control y sustitución de los labios de la boquilla				
Limpieza del filtro de la solución				
Limpieza del filtro de toma de aspiración				
Control del nivel de líquido de la batería WET				
Inspección de los tornillos y tuercas			(1)	
Añada aceite lubricante a las partes rotatorias (como aceite de frenos)			(1)	
Control o sustitución de las escobillas de carbón del motor del cepillo				(2)
Control o sustitución de las escobillas de carbón del motor de la aspiradora				(2)
Control o sustitución de las escobillas de carbón del motor del sistema de tracción				(2)

SISSEJUHATUS**ETTEVAATUST!**

Mõningad üldised ja üksikasjalikud masina andmed ei sisaldu käesolevas juhendis.

Vaadake kaasasoleval CD-plaadil kiirjuhendit, mille saate avada tarkvara Adobe® Reader® kasutades.

**MÄRKUS**

Sulgudes toodud arvud viitavad masina kirjelduse peatükis loetletud komponentidele.

JUHENDI EESMÄRK JA SISU

Selle kasutusjuhendi eesmärk on pakkuda kasutajale kogu põhiteavet tehniliste omaduste, kasutamise, masina hoiustamise, varuosade ja ohutustingimuste jne kohta.

Sõltumata operaatoritest ja kvalifitseerunud tehnikutest lugege kasutusjuhendit enne mistahes protseduuride toetamist hoolikalt. Kui teil on kahtlusi kasutusjuhendi või mistahes muu teabe tõlgendamise kohta, võtke ühendust meie ettevõttega.

KUIDAS KÄESOLEVAID KASUTUSJUHISEID SÄILITADA

Kasutusjuhiseid tuleb hoida masina läheduses, sobilikus kestas, eemal mistahes vedelikest ja muudest kahjulikest ainetest.

VASTAVUSAVALDUS

Masinaga on kaasas vastavusavaldus, mis kinnitab selle vastavust kehtivatele seadustele.

**MÄRKUS**

Masina dokumentatsiooniga on kaasas vastavusavalduse originaali koopiad.

LISASEADMED JA HOOLDAMINE

Masina mistahes kasutamine, hooldus ja remont on lubatud üksnes kvalifitseerunud personali poolt või meie ettevõtte poolt määratud teeninduskeskuses. Kasutada on lubatud ÜKSNES autoriseeritud varuosi ja lisaseadmeid.

Lisaseadmete või varuosade vajadusel võtke ühendust meie ettevõtte teeninduskeskusega.

VAHETAMINE JA PARENDUSED

Oleme pühendunud oma toodete pidevale parendamisele ja jätame õiguse teha masina muudatusi ja parendusi ilma täiendava eelneva teavitamiseta.

KOHALDAMISALA

Küürija on sobilik kaubanduslikuks ja tööstuslikuks kasutamiseks. See on sobilik siledade ja tugevate põrandate puhastamiseks kvalifitseerunud isiku poolt ohututes oludes. Masin ei sobi kasutamiseks välitingimustes, vaipade puhastamiseks või karedatel põrandatel.

MASINA IDENTIFITSEERIMISANDMED

Masina seerianumber ja mudeli nimetus on markeeritud andmesildil.

Tegemist on kasuliku teabega. Kasutage masina andmete üles märkimiseks allpool asuvat tabelit. See on abiks masina varuosade tellimisel.

MASINA MUDEL.....
MASINA SEERIANUMBER.....

TRANSPORT JA LAHTIPAKKIMINE

Veenduge masina saabumisel, et pakend ja masin on terviklikud ja kahjustusteta. Kahjustuste eest kompensatsiooni saamise õiguse säilitamiseks teavitage kahjustuste märkamisel transpordiettevõtet kahjustustest enne kauba vastu võtmist.

Järgige masina lahti pakkimisel rangelt pakendil toodud juhiseid.

Kontrollige, et pakend sisaldaks järgnevaid esemeid:

1. Tehniline dokumentatsioon - kasutusjuhend.
2. Akuühenduse komponendid.
3. Elektroonilise akulaadija (kui on paigaldatud) juhend (*)

OHUTUS

Järgnevaid sümboleid on käsiraamatus kasutatud, et viidata võimalikele ohtudele. Lugege seda teavet hoolikalt ja astuge vajalikke samme isikute ja vara ohutuse tagamiseks.

MASINAL NÄHTAVAD SÜMBOLID**HOIATUS!**

Lugege kõiki juhiseid enne mistahes protseduuride toetamist hoolikalt.

**HOIATUS!**

Ärge peske masinat otsese veejoa või survega veega.

**HOIATUS!**

Ärge kasutage masinat kallakul, mille kalle ületab tehnilistes andmetes toodud piirväärtust.

KASUTUSJUHENDIS KASUTATUD SÜMBOLID**OHT!**

Viitab operaatorit surmavalt ohustavale olukorrale.

**HOIATUS!**

Viitab võimalikele isikuvigastustele.

**ETTEVAATUST!**

Viitab tähelepanu vajavale kohale või oluliste või kasulike funktsioonidega seotud märkusele. Pöörake selle sümboliga tähistatud lõikudele erilist tähelepanu.

**MÄRKUS**

Viitab tähelepanu vajavale kohale või kasulikele juhenditele lisatud märkusele.

**KONSULTEERIGE**

Viitab vajadusele enne protseduuri kasutusjuhendiga konsulteerimiseks.

ÜLDISED OHUTUSJUHISED

Spetsiifilised hoiatused ja tähelepanekud võimalike ohtude ja kahjude kohta isikutele ja masinale on toodud allpool.



OHT!

- Mainat võib kasutada vastava väljaõppe ja volitusega personal selle juhendi suuniseid järgides.
- Enne masina puhastamist, hooldust, remonti või varuosade vahetamist lugege hoolikalt kasutusjuhendit ja veenduge, et masin oleks välja lülitatud ning akupistik lahti ühendatud.
- Ärge kasutage masinat mürgiste, ohtlike, tuleohtlike ja/või plahvatusohtlike pulbrite, vedelike või aurude läheduses. Masin ei ole sobilik ohtlike puudrite kogumiseks.
- Ärge kandke elektriosade lähedal töötades ehteid.
- Ärge töötage ülestõstetud masina all, kui see pole ohutustagedega toetatud.
- Kui kasutate pliiakusid (märgakud), mis eritavad tavakasutuse käigus kergestisüttivat gaasi, tuleb hoida akud eemal sädemetest, lekidest, suitsevatest materjalidest, kiirgusest, valgus- ja süüteallikatest.
- Pliiakude (märgakud) laadimisel võivad need eritada plahvatusohtlikku vesinikkaasi. Tagage laadimiskeskkonnas hea ventilatsioon ja hoidke akud lahtisest tulest eemal.



HOIATUS!

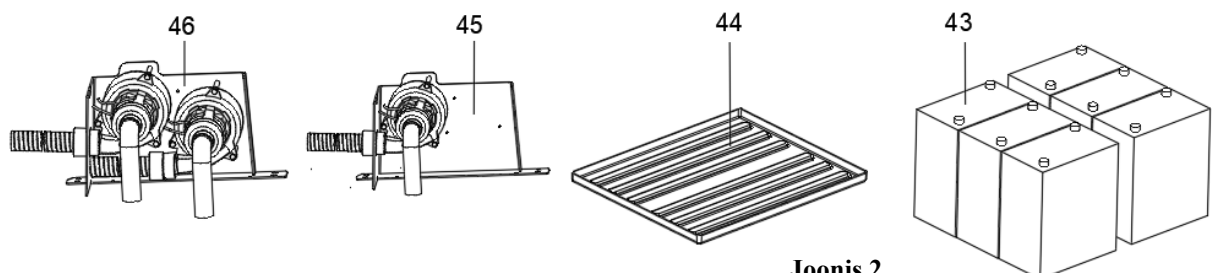
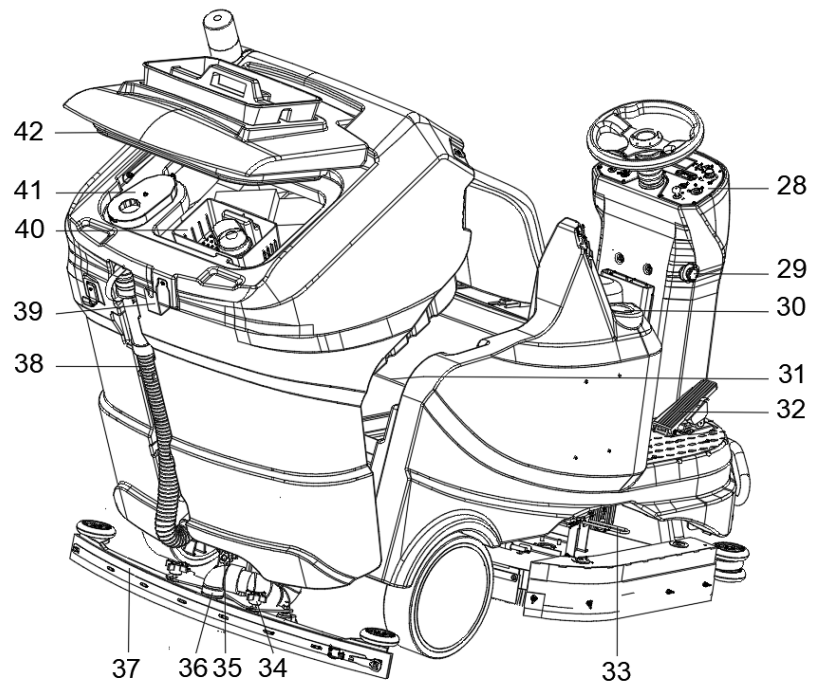
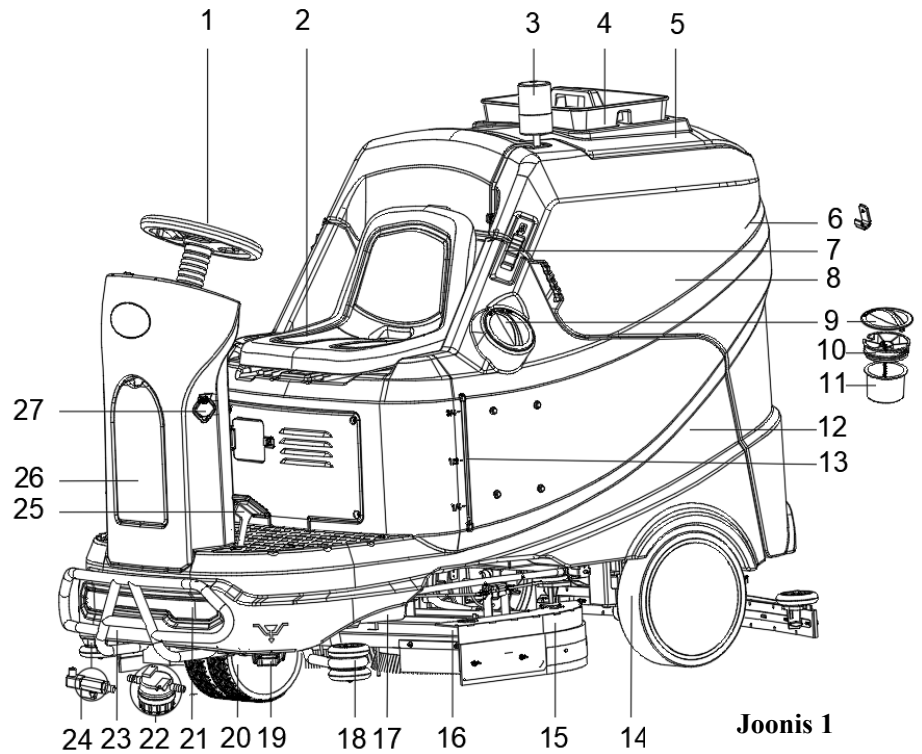
- See masin on ette nähtud kaubanduslikuks kasutuseks näiteks hotellides, koolides, haiglates, tehastes, kauplustes, kontorites ja rendiettevõtetes.
- Järelevalveta jäetud masinad tuleb fikseerida, et vältida nende juhuslikku liikumist.
- Masina volitamata kasutamise vältimiseks tuleb toiteallikas välja lülitada või lukustada, näiteks eemaldades pealüliti võtme või süütevõtme.
- Kontrollige masinat enne iga kasutuskorda hoolikalt. Veenduge, et kõik komponendid on enne kasutamist omal kohal. Lahtised komponendid võivad põhjustada varakahju ja tekitada kehavigastusi.
- Ärge kunagi liigutage masinat akulaadija kaablist tõmmates. Vältige kaabli sattumist suletud ukse alla või teravatele servadele või nurkadele. Ärge sõitke masinaga üle akulaadija kaabli. Hoidke akulaadija kaabel eemal soojusallikatest.
- Ärge laadige akusid, kui akulaadija kaabel või pistik on kahjustatud.
- Tule-, elektrilöögi- või vigastusohu vähendamiseks veenduge enne masina juurest lahkumist, et see oleks välja lülitatud.
- Kasutage või hoiustage masinat üksnes kuivades sisetingimustes. Masinat ei tohi kasutada välitingimustes.
- Masina töö- ja hoiustamistemperatuur peab jääma vahemikku 0 °C kuni +40 °C, õhuniiskus vahemikku 30–95%.
- Ärge kasutage masinat kallakul, mille kalle ületab tehnilistes andmetes toodud piirväärtust.
- Põranda puhastusainete kasutamisel järgige alati puhastusainete pudelile märgitud suuniseid ning kasutage sobivaid kindaid ja kaitsevarustust.
- Kasutage masinaga kaasasolevaid või kasutusjuhendis nimetatud harju ja patju. Muude harjade või patjade kasutamine võib vähendada masina ohutust.
- Masina rikete korral veenduge, et need ei oleks põhjustatud puudulikust hooldusest. Vajadusel paluge abi meie poolt autoriseeritud teeninduskeskuse volitatud personalilt.
- Rakendage kõik vajalikud ettevaatusabinõud, et vältida juuste, ehte ja lahtiste riiete sattumist masina liikuvate osade vahele.
- Ärge kasutage masinat äärmiselt tolmustes keskkondades.

- Ärge peske masinat otsese veejoa või survega veega või söövitavate ainetega.
- Ärge sõitke masinaga vastu riuleid või tellinguid, eelkõige juhul, kui esineb kukkuvate esemete oht.
- Ärge toetage masinale vedelike mahuteid, kasutage selleks ettenähtud pudelihoidjat.
- Põranda kahjustamise vältimiseks ärge laske harjal/padjal töötada, kui masin seisab paigal.
- Tulekahju korral kasutage kustutamiseks pulberkustutit. Ärge kasutage vedelikke sisaldavaid tulekustuteid.
- Ärge eemaldage masinalt kleebiseid ega tehke neile muudatusi.
- Ärge tehke masina ohutuskaitsetele muudatusi ja järgige täpselt plaanipäraseid hooldusjuhiseid.
- Olge masina transportimisel tähelepanelik, kui temperatuur on alla nulli. Tagasivoolupaagis ja voolikutes olev vesi võib külmuda ning põhjustada masinale tõsiseid kahjustusi.
- Kui mõni osa vajab vahetamist, tellige originaalvaruosad volitatud edasimüüjatelt või jaemüüjatelt.
- Kui masin ei tööta ettenähtud viisil või se on kahjustatud, siis viige masin hoolduskeskusse.
- Masina õige ja ohutu töö tagamiseks tuleb lasta seda volitatud personalil või volitatud edasimüüja poolt selle juhendi vastavas jaotises toodud hooldusgraafiku alusel hooldada.
- Masin tuleb kõrvaldada kasutuselt nõuetekohaselt, kuna see hõlmab mürgiseid ja kahjulikke materjale (nt akud), mis tuleb eeskirjade kohaselt toimetada selleks ettenähtud kogumispunktidesse (vt jaotist kasutuselt kõrvaldamise kohta).
- See masin on ainult puhastustööriist ning see ei ole mõeldud kasutamiseks ühelgi muul otstarbel.
- Hoidke masina avad alati tolmust, juustest ja muudest õhuvoolu takistavatest võõrmaterjalidest puhtana. Ärge kasutage masinat, kui avad on ummistunud.
- Kasutage masinat ainult hästi valgustatud kohas.
- See masin ei ole mõeldud kasutamiseks piiratud füüsiliste, sensorsete või vaimsete võimete või kogemusteta ja teadmisteta isikutele.
- Olge laste lähedal masinat kasutades eriti tähelepanelik.
- Valvake lapsi ja hoolitsege selle eest, et nad masinaga ei mängiks.
- Vältige masina kasutamise ajal inimeste vigastamist või vara kahjustamist.
- Lapsed ei tohi masinat puhastada ja hooldada ilma järelevalveta.
- Kasutajad peavad olema saanud nende masinate kasutamise kohta piisava väljaõppe.
- Ärge kasutage masinat ilma kukkuvate esemete kaitsestruktuurita (FOPS) kohtades, kus on tõenäoline, et operaator võib saada löögi kukkuvatelt esemetelt.

MASINA KIRJELDUS

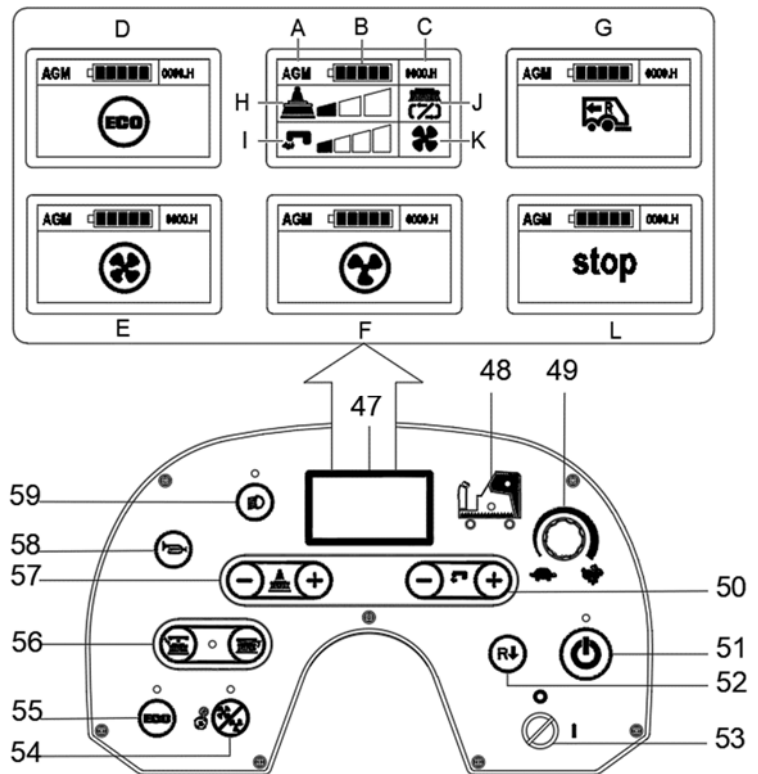
MASINA KONSTRUKTSIOON* - valikuline

1. Rooliratas
2. Iste, reguleeritav (ohutuslülitiga)
3. Hoiatustuli
4. Hoiulaegas (*)
5. Tagasivoolupaagi kate
6. Konks
7. Riiv (x2)
8. Tagasivoolupaak
9. Filtri kate
10. Filtrivooliku hoidik
11. Filtri tugi
12. Pesuvahendi paak
13. Veetaseme toru
14. Sõidurattad (mehaanilise piduriga)
15. Külgpriitmekaitsmed
16. Harjakoost
17. Pump
18. Põrkerattad
19. Pesuvahendi paagi tühjendusava kate
20. Esirattas
21. Esituled
22. Pesuvahendi filter
23. Esikaitseraud
24. Pesuvahendi sulgeklapp
25. Mehaaniline piduripedaal
26. Seesmine hoiulaeka kate
27. USB laadimisport
28. Juhtpaneel
29. Avariilüliti
30. Topsihoidik
31. Tagasivoolupaagi tugikaabel
32. Gaasipedaal
33. Harja/padja ajami paigaldamise stopper
34. Kaabitsa nupud
35. Kaabitsa nurga reguleerimisnupp
36. Kaabitsa vaakumvoolik
37. Kaabits
38. Tagasivooluvee väljalaskevoolik
39. Kaabitsa konks
40. Prahi kogumiskast
41. Vaakumi sissevõtufilter
42. Paagi katte tihend
43. Akud (puuduvad)
44. Aku alus (*)
45. Vaakumsüsteem
46. Kaksikvaakumsüsteem (*)

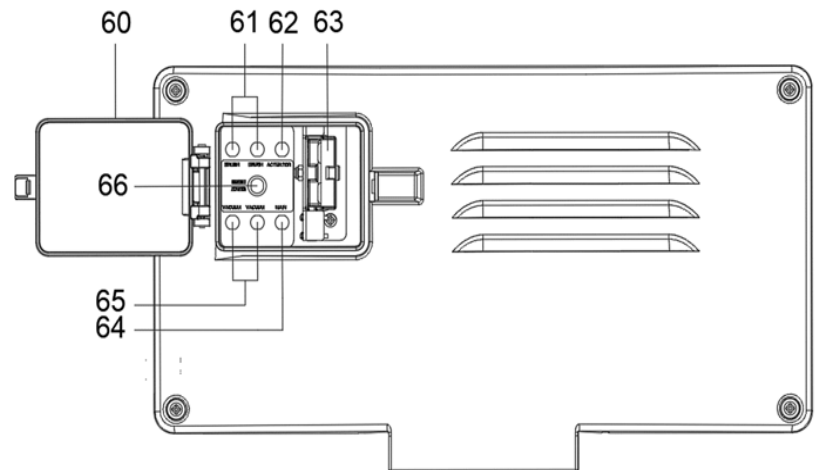


JUHTPANEEL (vt joonist)

47. Multifunktsionaalne ekraan
Kuvatavad elemendid:
- A) Aku tüüp
 - B) Aku laetustase
 - C) Töötundide arv
 - D) ECO-režiim
 - E) Tavaline vaakumrežiim
 - F) Vaikne vaakumrežiim
 - G) Tagurdusrežiim
 - H) Lisasurve aktiveeritud
 - I) Pesuvahendi vooluhulk
 - J) Harja töörežiim
 - K) Vaakumrežiim
 - L) Istme ohutuslülitit väljas
48. Tagasivoolupaak on täis/pesuvahendi paak on tühi
49. Kiiruse regulaator
50. Pesuvahendi voolu reguleerimisnupud
51. Käivitusnupp
·LED nupu kohal – funktsioon aktiveeritud
·veestütem (2. tase)
rõhk on minimaalne (1. tase)
vaakumsüsteem on tavarežiimis
52. Edasi-tagasi liikumise nupp
53. Süütevõti (0=väljas, I=sees)
54. Vaakumsüsteemi reguleerimisnupp
(aktiveerimiseks vajutage nuppu üks sekund)
·LED põleb püsivalt – normaalrežiim
·LED vilgub – vaikne režiim
55. ECO-režiimi nupp
·LED nupu kohal – funktsioon aktiveeritud
·veevool on minimaalne (1. tase)
rõhk on minimaalne (1. tase)
Vaakumsüsteem on vaikes režiimis
56. Harja/padjahoidja klõps sees/väljas
·LED vilgub – klõps aktiveeritud
57. Harja rõhu reguleerimisnupud
58. Helisignaali nupp
59. Esivalgustuse nupp
60. Laadija pistiku kate
61. Harjamootorite ülekoormuskaitse (30A)
62. Harjatõstuki ülekoormuskaitse (3A)
63. Laadija pistik
64. Peajuhtahela ülekoormuskaitse (5A)
65. Vaakummootori(te) ülekoormuskaitse (30A)
66. Kaabitsatõstuki ülekoormuskaitse (3A)



Joonis 3



Joonis 4

TEHNILISED PARAMEETRID

Parameetri tüüp	AS1050R
Pinge	36 V
Nimivõimsus (SISEND)	125A/4500W
IP-kaitseklass	IP24
Pesuvahendi paagi maht	200L/53 Gal.
Tagasivoolupaagi maht	200L/53 Gal.
Puhastamislaius	980mm/35,58 tolli
Harja/padja diameeter	508 mm x 2 /20 tolli x 2
Harja/padja surve (max)	90 kg/198 naela
Harjamootori võimsus (SISEND)	2 X 1000 W / 2 X 1.3 hj
Harja kiirus tavarežiimis	240 p/min
Harja kiirus ECO-režiimis	175 p/min
Pesuvahendi vool (max) seadistuse kohta minutis	(1,6/2,3/3,3/4,6) liitrit / 0,42/0,61/8,87/1,22 gallonit
Helirõhutase (üks vaakummootor)	72 ± 3 dB (A)
Helirõhu tase (kaks vaakummootorit) (*)	75 ± 3 dB (A)
Helirõhutase ECO-režiimis või vaiksese režiimis	69 ± 3 dB (A)
Vaakumsüsteemi mootori võimsus	600 W/0,8 hj
USB laadimine	5 V 2,4 A MAX
Jõudlus (max)	7840 m ² /h/84389 jalga ² /h
Töökiirus	0 – 8 km / 0 - 5 miili tunnis
Edasiliikumise kiirus	0 – 8 Km / 0 – 5 miili tunnis
Tagasiliikumise kiirus	0 – 5 Km / 0 – 3,1 miili tunnis
Sõidumootori võimsus (SISEND)	1600 W/2,1 hj
Min vahekäigu mõõt	2650mm / 104 tolli
Ronimisvõime (max) transpordirežiimis	20%
Ronimisvõime (max) töörežiimis	16%
Sõiduratta diameeter	340mm/13,4 tolli
Sõiduratta surve põrandale	0,68 N/mm ²
Esimese ratta diameeter	250 mm/10 tolli
Esiratta surve põrandale	0,62 N/mm ²
Käepideme vibratsioonitase (max)	< 2,5 m/s ²
Akusahtli mõõtmed aluseta (P x L x K)	(680x560x450) mm / 26,7 x 22 x 17,7 tolli
Akusahtli mõõtmed alusega (P x L x K)	(665x550x430) mm / 26,1 x 21,6 x 16,9 tolli
Masina pikkus ilma eesmise kaitserauata	1875mm / 73,8 tolli
Masina laius ilma kaabitsata	1077mm / 42,4 tolli
Masina kõrgus	1350 mm/53 tolli
Masina kõrgus(Ülakaitsega)	1955 mm/77 tolli
Masina mass tühjade paakidega (ilma akudeta)	398 Kg / 853,6 naela.
Masina kogumass	870 Kg / 1914 naela.
Masina kogumass(Ülakaitsega)	897 Kg / 1973 naela.
Tarnemass	490 Kg / 1078 naela.
Pakendi mõõtmed (P x L x K)	(2110 x 1220 x 1535 mm) / (83 x 48 x 60,4 tolli)

(*) : valikuline

TÖÖJUHEND

**HOIATUS!**

Mõnedele masina osadele on kleebitud plaadid järgmiste tähistega:

- OHT!
- HOIATUS!
- ETTEVAATUST!
- KONSULTEERIGE

Käesolevat kasutusjuhendit lugedes peaks kasutaja pöörama tähelepanu plaatidel näidatud sümbolitele. Ärge katke plaate kunagi kinni ja asendage kahjustatud plaadid vajadusel viivitamatult.

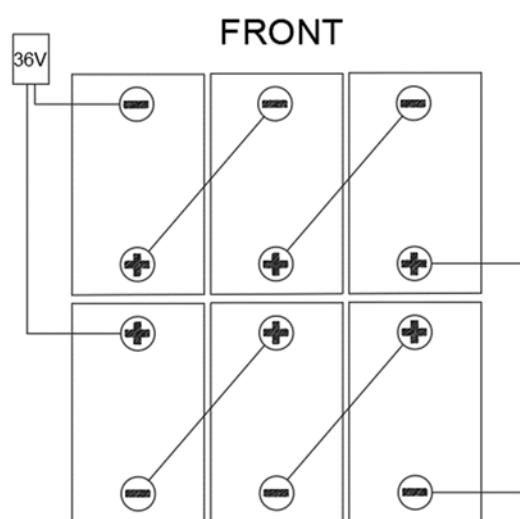
AKU KONTROLLIMINE/SEADISTAMINE UUEL MASINAL

**HOIATUS!**

Valesti paigaldatud või ühendatud akud võivad tõsiselt kahjustada masina elektroonilisi komponente. Akud tuleb paigaldada kvalifitseerunud personali poolt. Määrake aku tüüp alltoodud protseduuri kohaselt vastavalt kasutatavate akude tüübile (MÄRG- või GEEL-/AGM-/DIS/ENE-akud). Veenduge enne akude paigaldamist, et need ei oleks kahjustatud. Ühendage lahti akuühendus ning akulaadija pistik. Olge akusid käsitledes hoolikas. Paigaldage masinaga tarnitud akuklemmide kaitsekorgid.

**MÄRKUS**

Masin vajab kuut 6 V akut, mis on ühendatud ja paigaldatud joonisel 5 näidatud kohtadesse.



Joonis 5

Akud on juba masinasse paigaldatud

1. Veenduge, et akuühendus oleks ühendatud.
2. Masina esmakordsel kasutamisel uute akudega laadige need täiesti täis (vt toimingut jaotises „Hooldus“).

Ilma akudeta

1. Ostke sobivad akud (vt jaotist „Tehnilised andmed“). Akude valimisel ja paigaldamisel valige alati kvalifitseerunud akumüüja.
2. Seadistage aku tüüp alltoodud protseduuri abil.

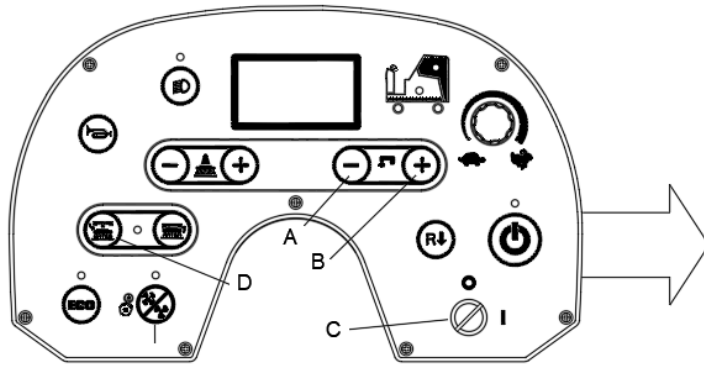
AKUDE PAIGALDAMINE JA TÜÜBI SEADISTAMINE (MÄRG- VÕI GEEL-/AGM-/DIS/ENE-AKUD)
Akude paigaldamine

1. Avage vasak ja parem riiv (7, Joonis 1).
2. Avage tagasivoolupaagi kate (5, Joonis 1) ja kontrollige, et tagasivoolupaak (8, Joonis 1) oleks tühi. Kui ei ole, tühjendage see väljalaskevooliku kaudu.
3. Sulgege tagasivoolupaagi kate (5, Joonis 1).
4. Tõstke ettevaatlikult tagasivoolupaaki (8, Joonis 1).
5. Eemaldage tagasivoolupaagi kaabel ja kogu tagasivoolupaagi koost.
6. Eemaldage üks kruvi tagasivoolupaagi tugikaablilt (31, Joonis 2) ja keerake tagasi.
7. Eemaldage tagasivoolupaagi põhjalt neli kruvi.
Masin on varustatud kuue 6 V aku paigaldamiseks sobivate kaablitega. Asetage akud ettevaatlikult kambrisse, seejärel paigaldage need korralikult joonisel 5 näidatud viisil. Paigaldage aku fikseerimisplaat õigesti.
8. Paigutage ja ühendage akukaabel joonisel 5 näidatud viisil ja seejärel pingutage ettevaatlikult iga akuklemmi mutrit.

9. Asetage igale klemmile kaitsekork, seejärel ühendage akuühendus masinaga.
10. Monteerige lahtivõtmisele vastupidises järjekorras kokku kogu tagasivoolupaagi koost.
11. Laske tagasivoolupaak ettevaatlikult alla.

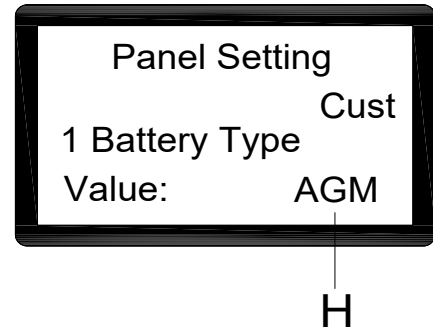
Aku tüübi seadistus (MÄRG/GEEL/AGM/DIS/ENE) Juurdepääs akurežiimi valimisele

Seadistage masinat akude tüübi (MÄRG-/GEEL-/AGM-/DIS/ENE-akud) kohaselt järgmiselt.



Joonis 6

Access to select battery mode



1. Vajutage korraga veevoolu nuppu „-“ (A, Joonis 6) ja „+“ (B, Joonis 6).
2. Sisestage süütevõti (C, Joonis 6) ja keerake see asendisse „I“.
3. Mõne sekundi järel sisenege ekraanil akurežiimi valimise kuvale (Joonis 6).
4. Vajutage veevoolu nuppu „-“ (A, Joonis 6) ja „+“ (B, Joonis 6), et valida akurežiim (H, Joonis 6).
5. Vajutage vabastusnuppu (D, joonis 6), Kolme sekundi pärast kuvatakse teade „Update OK“, mis tähendab, et seadistus õnnestus. Taaskäivitage masin. (C, Joonis 6).

Akude laadimine

Laadige akud täiesti täis (vt toimingut jaotises „Hooldus“).

Akude tühjenemine

Kui akunäidiku kõik ribad põlevad (G, Joonis 7), siis on akud täis. Kui akunäidiku kõik ribad on kustunud (H, Joonis 7), siis tuleb akusid laadida. Mõni sekund pärast tühjeneva aku näidiku ilmumist lülitatakse harja mootorid automaatselt välja, kuid sõidusüsteem jääb siselülitatuks. Sõitke kohe masinaga määratud laadimisalale.



Joonis 7

HARJA/PADJA HOIDJA PAIGALDAMINE JA EEMALDAMINE



MÄRKUS

Paigaldage kas hari (A, Joonis 8) või padjahoidja (B ja C, Joonis 8) vastavalt puhastatava põranda tüübile.



ETTEVAATUST!

Enne harja või padja hoidja paigaldamist veenduge, et kõik masina lülitid oleks välja lülitatud ja kaabits oleks põrandalt üles tõstetud. Kasutaja peab kasutama õnnetusohu minimeerimiseks sobivaid isikukaitsevahendeid, nt kindaid.

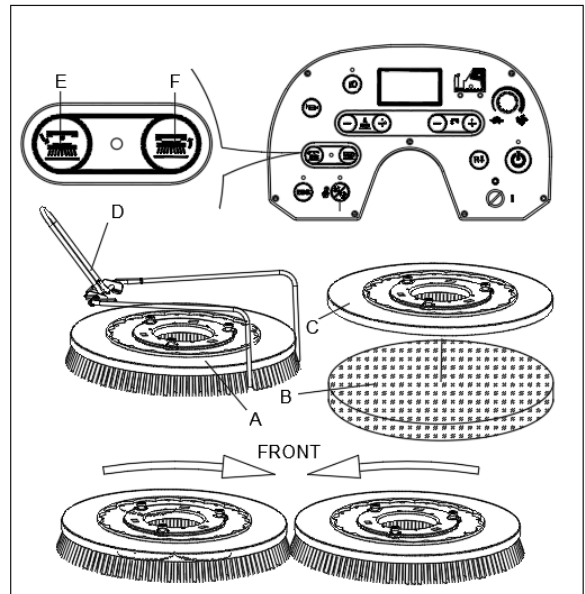
Toimige järgmiselt.**PAIGALDAMINE:**

1. Sisestage süütevõti (53, Joonis 3) ja keerake see asendisse „I“. Tõstke kate üles.
2. Paigaldage harjad (A, Joonis 8) või padja hoidjad (B, Joonis 8) kate alla. Kasutage harja paigaldamise stopperit (D, Joonis 8), et leida õige harja/padja hoidja asend.
3. Harja / padja hoidja eemaldamiseks vajutage harja / padja hoidja vabastusnuppu (8), harja / padja hoidja paigaldatakse automaatselt. Pöörlemissoond on näidatud (Joonis 8). LED-tuli vilgub.

EEMALDAMINE:

1. Sisestage süütevõti (53, Joonis 3) ja keerake see asendisse „I“. Veenduge, et hari/padja hoidja on tõstetud (ÜLES) asendis. Harja / padja hoidja eemaldamiseks vajutage harja / padja hoidja vabastusnuppu (E, Joonis 8), harja / padja hoidja vabaneb automaatselt. LED-märgutuli põleb püsivalt.

Kui vajutate harja klõpsu väljalülitamise nuppu ja sisselülitamise nuppu, peate süütevõtme välja lülitama ja seejärel sisse lülitama, masinaga saab uuesti töötada.



Joonis 8

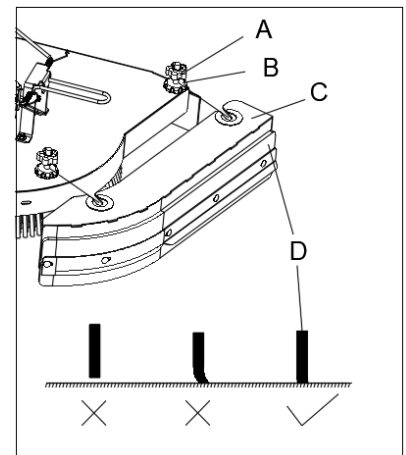
KÜLGPRITSMEKAITSMETE TASAKAALU REGULEERIMINE

Pritsmekaitse kõrgust tuleb jälgida ja reguleerida. Kontrollige masinaga puhastamise ajal külgspritsmekaitsete toimivust.

- A. Kui pritsmekaitsemed on liiga kõrgel, jätab pritsmekaitse (D) ja põranda vaheline vahe pöörete ajal vee põrandale.
- B. Kui pritsmekaitsemed on liiga madalal, paindub pritsmekaitse (D) liiga kaugemale, jättes pöörete ajal põrandale vett ja lühendades pritsmekaitse tööiga.
- C. Õige reguleerimine toimub siis, kui pritsmekaitsemed puudutavad kergelt põrandat pritsmekaitse esiosast tagaosani.

Reguleerimisprotseduur

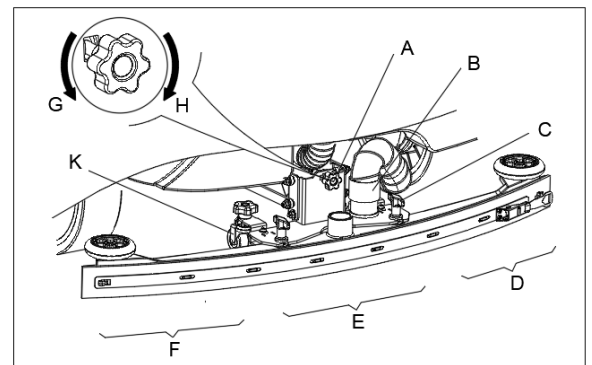
1. Veenduge, et kate on tõstetud (ÜLES) asendis.
2. Keerake lahti ülemised kinnitusmutrid (A) ja eemaldage pritsmekaitse koost.
3. Reguleerige alumisi kinnitusmutreid (B) üles/alla.
4. Paigaldage pritsmekaitse tagasi ja kontrollige reguleerimist.
5. Korrake punkte 3. ja 4. vastavalt vajadusele, kuni pritsmekaitse on õigesti reguleeritud.
6. Reguleerimise fikseerimiseks pingutage ülemisi kinnitusmutreid (A).
7. Korrake protseduuri teisel poolel asuva pritsmekaitsega.



Joonis 9

KAABITSA TASAKAALU REGULEERIMINE

1. Paigaldage kaabits ja keerake mutrid (C, Joonis 10) kinni. Seejärel ühendage vaakumvoolik (B) kaabitsaga.
 2. Reguleerige kaabitsat selle reguleerimisnupu (A) abil.
 - a) Kui tagumise kaabitsa laba (E) keskosa ja põranda vahel on ruumi, reguleerige nuppu (A) päripäeva (H), kuni terve tagumine kaabits on põrandaga kontaktis ja eesmine laba puutub kergelt vastu põrandat.
 - b) Kui tagumise kaabitsa laba otsade (D ja F) ja põranda vahel on ruumi, reguleerige nuppu (A) vastupäeva (G), kuni terve tagumine kaabits on põrandaga kontaktis ja eesmine laba puutub kergelt vastu põrandat.
- Vajadusel reguleerige kogu kaabitsakõrgust, reguleerides ratta (K) kõrgust.



Joonis 10

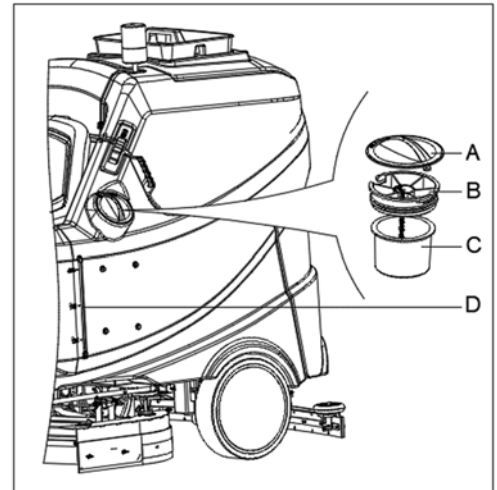
PESUVAHENDI PAAGI TÄITMINE

1. Avage vee sisselaskeava kaas (A, Joonis 11).
2. Täitke paak filtriga sisselaskeava kaudu või sobiva pesuvahendi lahusega. Pesuvahendi temperatuur ei tohi ületada +40 °C (+104 °F).
3. Ärge täitke paaki üle, vaadake veetaset veetaseme indikaatori (D) kaudu.



HOIATUS!

Kasutage üksnes nõrgalt vahutavaid ja mitte-süttivaid puhastusaineid, mis on ette nähtud automaatseks küürimiseks.



Joonis 11

AJAMIMOOTORI JA MEHAANILISE PIDURI KONTROLLIMINE

1. Keerake süütevõti (A, Joonis 12) asendisse „I“ ja istuge istmele (C).
2. Vajutage kergelt gaasipedaalile (D) ja vabastage see, et kontrollida, kas masinat saab edasi juhtida ja peatada.
3. Ohutuse tagamiseks veenduge, et masina saab hädaabinupu (B) vajutamisel kohe peatada. Pöörake avariinuppu selle lähtestamiseks.
4. Vajutage kiiresti mehaanilisele piduripedaalile (F), et kontrollida, kas masina saab kohe peatada.



HOIATUS!

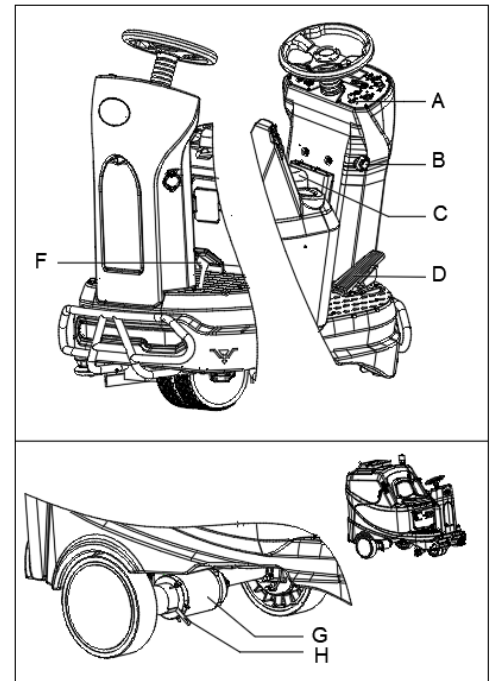
Töötamisel ei tohi kallak ületada 16%. Kallakul töötamisel peavad paagi riivid (7, Joonis 1) olema rakendatud. Turvalisuse huvides ärge kunagi peatage seda kallakul.

Kui tõusete kallakust kaldega maksimaalselt 20%, reguleerige kiirust piirav potentsiomeeter eelnevalt maksimaalse kiiruse asendisse. Kallakust tõustes vajutage gaasipedaal maksimaalselt alla.

Kui küürite kallakul kaldega maksimaalselt 16%, reguleerige kiirust piirav potentsiomeeter eelnevalt maksimaalse kiiruse asendisse. Kui ekraanil on kiri „Error 4, Tra Overload“, reguleerige harja rõhk madalaimale seadistusele.

Kui leiate, et masina kiirus kallakust tõusmise ajal aeglustub ja läheneb peatumisolekule ning ekraanile ilmub teade „Error 4, Tra Overload“, vabastage kohe gaasipedaal ja vajutage mehaanilisele pidurile.

Kui kallakust tõusmisel kuvatakse teade „Error 4, Tra Overload“, siis peatage kohe ja vajutage mehaanilisele pidurile, keerake võtmelüliti väljalülitatud asendisse ning seejärel lülitage võti taaskäivitamiseks sisse ja loobuge tõusmisest. Reguleerige kiirust piirav potentsiomeeter aeglase kiiruse asendisse ning seejärel vajutage tagasilikumise nuppu, vabastage mehaaniline pidur ja vajutage õrnalt gaasipedaalile, et masin saaks kuni madalama kaldeni jõudmiseni aeglaselt tagasi liikuda.



Joonis 12



ETTEVAATUST

Ajamimootori pidur vabastatakse, kui mootor töötab normaalselt, see lukustub, kui mootor on väljalülitatud. Mõnel erijuhul, nagu masina pakendamine/lahtipakkimine, masina rike jne, võib osutuda vajalikuks masinat lükata. Ajamimootoril (G, Joonis 12) vajutage piduri käepide alla (H, Joonis 12), masina pidur vabastatakse ja masinat saab liigutada. Pärast lõpetamist lükake käepide tagasi, et masin saaks töötada.

MASINA KÄIVITAMINE JA PEATAMINE

Käivitage masin

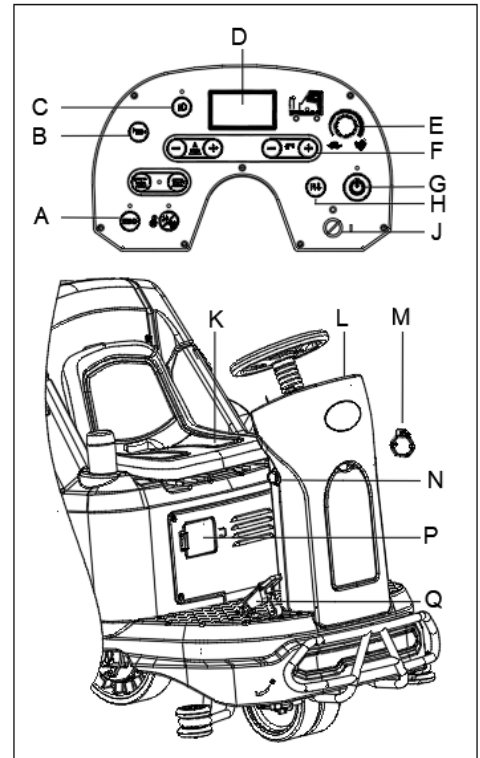
1. Valmistage masin ette, nagu eelmistes jaotistes kirjeldatud.
2. Istuge istmele (K, Joonis 13), sisestage süütevõti (J, Joonis 13) ja keerake see asendisse „I“. Kontrollige ekraanil akude olekut. Vajaduse korral laadige akusid (vt toimingut jaotises „Hooldus“).
3. Sõitke masinaga tööalale.

Edasi-/tagasi suunda saab juhtida lülitiga (H, Joonis 13). Liikumiskiirust saate reguleerida regulaatoriga (E, Joonis 13).

4. Vajutage masina käivitamiseks käivitusnuppu (G, Joonis 13), kaabits ja harjad langetatakse automaatselt pörandale ja vaakummootor hakkab tööle.
5. Olenevalt puhastuse tüübist vajutage vajadusel pesuvahendi voolu juhtnuppe (F, Joonis 13).
6. Vajutage gaasipedaali (Q, Joonis 13) ja alustage puhastamist.
7. Kui süütevõti (J, Joonis 13) on asendis „I“, saate telefoni või tahvelarvutit laadida USB-laadimispori kaudu (M, Joonis 13).
8. Vajutage helisignaali nuppu (B, Joonis 13), et inimesi vajaduse korral hoiatada.
9. Vajaduse korral vajutage masina hädaseiskamiseks avariinuppu (N, Joonis 13).
10. Vajaduse korral vajutage esitulede nuppu (C, Joonis 13) pimedate alade puhul või jalakäijate hoiatamiseks.
11. Vajaduse korral reguleerige istet (K, Joonis 13), keerates istmest paremal asuvat käepidet paremale, seejärel lükake iste õigesse asendisse.

**MÄRKUS**

Harjamootor, vaakummootor, ajamimootor ja juhtimisahel on kaitstud ülekoormuskaitsega (P, Joonis 13). Kui ülekoormuskaitse käivitub, ärge lähtestage seda kohe ilma algpõhjust avastamata ja veenduge enne lähtestamist, et mootor on jahtunud.



Joonis 13

Peatage masin.

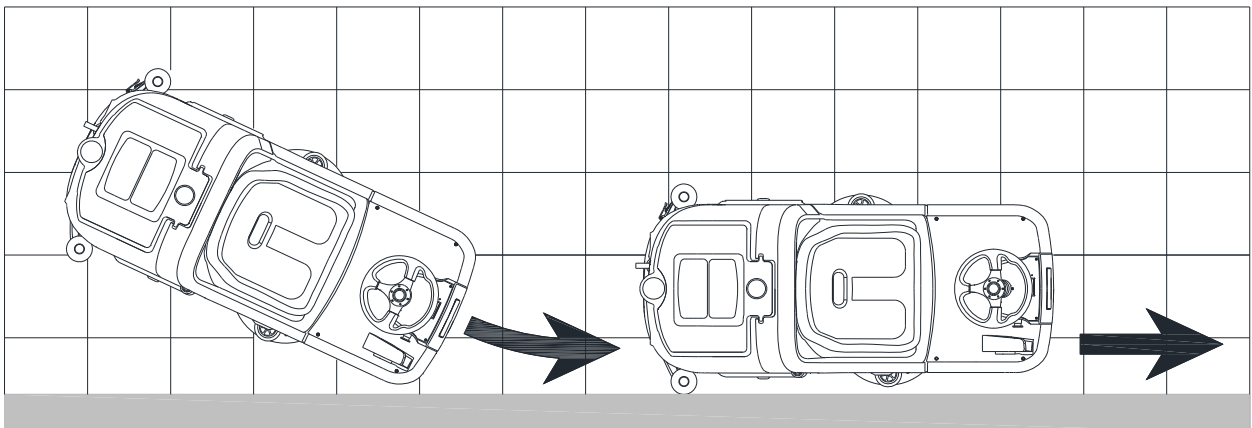
12. Vabastage gaasipedaal (Q, Joonis 13), masin lõpetab töötamise.
13. Harjade ja vaakummootori seiskamiseks vajutage käivitusnuppu (G, Joonis 13). Harjad ja kaabits tõstetakse automaatselt pörandalt. Vaakumsüsteem peatub mõne sekundiga.
14. Keerake süütevõti asendisse „0“.
15. Veenduge, et masin ei saaks iseseisvalt liikuda.

MASINA KASUTAMINE (PUHASTAMINE JA KUIVATAMINE)

1. Käivitage masin eelmistes jaotistes kirjeldatud viisil.
2. Alustage puhastamist, järgides jaotises „Masina käivitamine“ toodud protseduure.
3. Vajadusel seisake masin, et reguleerida külgritsmekaitsmeid vastavalt jaotisele „Külgritsmekaitsete tasakaalu reguleerimine“.
4. Vajaduse korral peatage masin ja reguleerige kaabitsat vastavalt jaotisele „Kaabitsa tasakaalu reguleerimine“.

**MÄRKUS**

Seinte ääres korralikuks puhastamiseks ja kuivatamiseks. On soovitatav läheneda seintele masina parema küljega (Joonis 14), nagu joonisel näidatud.



Joonis 14

PAAGI TÜHJENDAMINE

Tagasivoolupaagi tühjendamine

Kui multifunktsionaalsel ekraanil (47, Joonis 3) kuvatakse tõrketeadete ERROR24 ja tagasivoolupaagi täitumise näidik (48, Joonis 3) on sisse lülitatud. See näitab, et tagasivoolupaak (C, Joonis 15) on täis, vaakummootor ei saa enam põrandat kuivatada. Tühjendage jäätmepaak järgmiselt.

1. Peatage masin.
2. Tõstke harja / padja hoidja kate üles, vajutades käivitusnuppu (51, Joonis 3).
3. Sõitke masinaga määratud tühjendusale.
4. Tühjendage tagasivoolupaak vooliku (D, Joonis 15) kaudu. Seejärel loputage paaki (C, Joonis 15) puhta veega.



ETTEVAATUST!

Heitvee väljalaskmisel hoidke äravooluvoolikut kõrgel ja vältige see üle ülemise osa, et vältida vadaliku sattumist operaatorile.

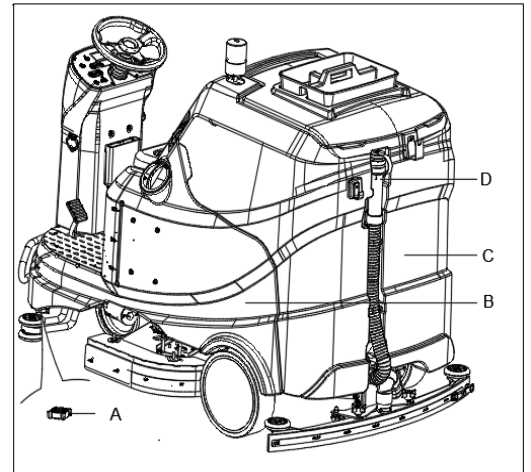
Pesuvahendi/puhta vee paagi tühjendamine

1. Tühjendage pesuvahendi paak väljalaskeava (A, Joonis 15) kaudu. Pärast tööd loputage paaki puhta veega.

PÄRAST MASINA KASUTAMIST

Pärast tööd ja enne masina juurest lahkumist:

1. Eemaldage harjad / padjahoidjad, vajutades vasakpoolset vabastusnuppu (56, Joonis 3), ja puhastage need.
2. Tühjendage paagid (B ja C, Joonis 15), nagu eelmises jaotises kirjeldatud.
3. Tehke igapäevane hooldus (vt jaotist „Hooldus“).
4. Hoiustage masinat puhtas ja kuivas keskkonnas nii, et harjad/padja hoidjad ning kaabits oleks üles tõstetud või eemaldatud.
5. Kasutage kaane lahtihoidmiseks tagasivoolupaagi kaane tuge. See aitab vältida seesmist lõhnade kogunemist.



Joonis 15

MASINA HOIUSTAMINE PIKAAJALISE KASUTUSPAUSI KORRAL

Kui masinat 30 päeva jooksul ei kasutata, toimige järgmiselt:

1. Tehke jaotises „Pärast masina kasutamist“ kirjeldatud toimingud.
2. Ühendage aku lahti.

ESIMENE KASUTUSKORD

Pärast esimest kaheksat töötundi kontrollige masina kinnitusi ja ühendusi ning veenduge, et need on korralikult kinni. Kontrollige nähtavate osade kulumist ja lekkeid.

HOOLDUS



HOIATUS!

Hooldustööde tegemiseks tuleb masin välja lülitada ja akulaadija kaabel lahti ühendada. Lisaks sellele tuleb hoolikalt lugeda käesoleva kasutusjuhendi ohutust puudutavaid peatükke.

Mistahes plaanipärane või erakorraline hooldus ja remont on lubatud üksnes kvalifitseerunud personali poolt või meie autoriseeritud teeninduskeskuses. Kasutusjuhendis on kirjeldatud üksnes üldisi ja tavapäraseid hooldusprotseduure.

Muude hooldusprotseduuride puhul, mida ei ole hooldusgraafiku tabelis, võtke ühendust meie tehnilise toe osakonnaga.

PLANEERITUD HOOLDUSTÖÖDE GRAAFIK



ETTEVAATUST!

Tähisega (1) protseduurid tuleb teostada pärast masina esimest üheksat 8 töötundi. Tähisega (2) protseduurid tuleb teostada meie ettevõtte poolt kvalifitseeritud teeninduskeskuses.

Protseduur	Puhastage pärast igit kasutuskorda	Iga nädal	Iga poole aasta järel	igal aastal
Akude laadimine				
Kaabitsa puhastamine				
Harja või padjahoidja puhastamine				
Paakide puhastamine				
Paagi tihendiriba ülevaatus				
Prahi kogumiskasti puhastamine				
Harja/padja puhastamine				
Pritsmekaitsme puhastamine				
Kaabitsa labade kontrollimine ja vahetamine				
Pesuvahendi filtri puhastamine				
Vaakumi sisselaskefiltri puhastamine				
WET aku vedelikutaseme kontroll				
Kruvide ja mutrite kinnituste kontroll			(1)	
Lisage pöörlevatele osadele määreõli (nt piduriõli)			(1)	
Harjamootori süsinikharjade kontrollimine või asendamine				(2)
Vaakumsüsteemi mootori süsinikharjade kontrollimine või asendamine				(2)
Sõidusüsteemi mootori süsinikharjade kontrollimine või asendamine				(2)

JOHDANTO**HUOMIO!**

Tämä opas sisältää vain osan laitetta koskevista ohjeista ja tiedoista.

Katso PIKAKÄYNNISTYSOPAS-käsikirjaa, joka toimitetaan Adobe® Reader® -CD-ROM:lla.

**HUOMAUTUS**

Sulkeissa esitetyt numerot ovat Laitteen kuvaus -luvussa esitetyjä osanumeroita.

OPPAAN SISÄLTÖ JA TARKOITUS

Tämän käyttöohjeen tarkoituksena on antaa kuljettajalle kaikki perustiedot ja tekniset ominaisuudet, toiminta, koneen passiivisuus, varaosat ja turvallisuusolosuhteet, jne.

Kaikkien laitetta käyttävien ja huoltavien henkilöiden on luettava laitteen käyttöopas huolellisesti ennen laitteen käsittelyä. Ota meihin yhteyttä, mikäli et ole varma ohjeiden sisällöstä tai jos haluat laitetta koskevia lisätietoja.

KUINKA SÄILYTTÄÄ TÄMÄ OHJEET KÄYTTÖÄ VARTEN

Säilytä tätä opasta laitteen välittömässä läheisyydessä ja asianmukaisesti suojattuna. Pidä opas etäällä nesteistä ja muista aineista, jotka saattaisivat vahingoittaa sitä.

VAATIMUSTENMUKAISUUSVAKUUTUS

Laitteen mukana toimitetaan vaatimustenmukaisuusvakuutus, joka toimii vakuutena siitä, että laite on voimassa olevan lainsäädännön mukainen.

**HUOMAUTUS**

Kopio alkuperäisestä vaatimustenmukaisuusvakuutuksesta sisältyy laitteen mukana toimitettaviin asiakirjoihin.

OSAT JA HUOLTO

Laitetta saavat korjata ja huoltaa ainoastaan asianmukaisen koulutuksen saaneet henkilöt tai yrityksemme viralliset huoltoliikkeet. Laitteessa tulee käyttää AINOASTAAN valmistajan omia tai valmistajan hyväksymiä varusteita ja varaosia.

Ota yhteys yhtiömme asiakaspalveluun, mikäli tarvitset apua varusteiden tai lisäosien hankintaan.

MUUTOKSET JA PARANNUKSET

Olemme sitoutuneet kehittämään tuotteitamme jatkuvasti ja varaamme oikeuden tehdä laitteeseen muutoksia ja parannuksia ilman erillistä ilmoitusta.

KÄYTTÖTARKOITUKSET

Tämä lattianperuskone on tarkoitettu kaupalliseen ja teolliseen käyttöön. Laite sopii kovien ja tasapintaisten lattioiden puhdistukseen. Käyttöolosuhteiden tulee olla turvalliset ja laitetta saavat käyttää ainoastaan asianmukaisen koulutuksen saaneet henkilöt. Laite ei sovellu ulkokäyttöön tai epätasaisten lattioiden tai mattojen puhdistamiseen.

LAITTEEN TUNNISTETIEDOT

Laitteen sarjanumero ja mallin nimi on ilmoitettu siihen kiinnitettyssä tunnistetarrassa.

Nämä tiedot ovat tärkeitä ja saatat tarvita niitä. Kirjoita tarraan merkityt tiedot alla oleville riveille, jotta ne ovat helposti saatavilla, mikäli sinun on tilattava laitteeseen varaosia.

KONEEN MALLI.....

KONEEN SARJANUMERO.....

KULJETTAMINEN JA PAKKAUKSEN AVAAMINEN

Kun vastaanotat laitteen, varmista, että laite ja sen pakkaus ovat asianmukaiset ja vahingoittumattomat. Jos havaitaan vaurioita, ilmoita vahingosta kuljetusyritykselle ennen tavaran vastaanottamista, jotta varaat oikeuden vahingonkorvaukseen.

Noudata pakkauksessa ilmoitettuja ohjeita pakkausta avatessasi.

Varmista, että pakkaus sisältää kaikki seuraavat tuotteet:

1. Tekninen dokumentaatio - Käyttöohjeet.
2. Akun liitännän komponentit.
3. Sähköisen akkulaturin käyttöohje (jos asennettu) (*)

TURVALLISUUS

Seuraavat symbolit ilmoittavat tilanteista, jotka saattavat aiheuttaa vaaran. Lue nämä tiedot huolellisesti, ja varmista, että olet tehnyt kaikki sellaiset toimet, jotka ovat välttämättömiä henkilövahinkojen ja aineellisten vahinkojen välttämiseksi.

LAITTEESSA OLEVAT VAROITUSMERKINNÄT



VAROITUS!

Lue kaikki laitteen käyttöohjeet huolellisesti ennen laitteen käyttämistä.



VAROITUS!

Älä pese laitetta painepesurilla tai suihkuta vettä suoraan sitä kohti.



VAROITUS!

Älä käytä laitetta pinnoilla, joiden kaltevuus ylittää ohjeissa ilmoitetun suurimman sallitun kaltevuuden.

SYMBOLIT, JOTKA TULEVAT NÄKYVIIN OHJEET KÄYTTÖÄ VARTEN



VAARA!

Uhkaava vaaratilanne, joka voi aiheuttaa käyttäjälle kuolemanvaaran.



VAROITUS!

Ilmoittaa henkilövahinkojen riskistä.



HUOMIO!

Ilmoittaa laitteen käyttöön tai toimintoihin liittyvästä varoituksesta tai huomautuksesta. Kiinnitä erityistä huomiota tällä merkinnällä varustettuihin kappaleisiin.



HUOMAUTUS

Ilmoittaa laitteen käyttöön tai toimintoihin liittyvästä huomautuksesta.



NEUVOTTELU

Tämä merkintä ilmoittaa tilanteista, joissa käyttäjän on syytä tarkistaa asianmukainen kohta laitteen käyttöoppaasta ennen toimenpiteen suorittamista.

YLEISET TURVAOHJEET

Ihmisiin ja laitteeseen mahdollisesti aiheutuvia vahinkoja koskevat erityiset varoitukset ja huomautukset on esitetty alla.

**VAARA!**

- Laitetta saavat käyttää ainoastaan asianmukaisen koulutuksen ja käyttöön vaadittavat luvat omaavat henkilöt, ja käytön on tapahduttava käyttöoppaan ohjeiden mukaisella tavalla.
- Ennen kuin puhdistat, huollat tai korjaat laitetta tai vaihdat siihen osia, lue laitteen käyttöopas huolellisesti ja varmista, että laitteen kytkimet ovat OFF-asennossa ja että akun liitin on irrotettu.
- Älä käytä laitetta minkään myrkyllisten, vaarallisten, tulenarkojen ja/tai räjähdysherkkien pölyjen, nesteiden tai höyryjen läheisyydessä. Laite ei sovellu vaarallisten pölyjen keräämiseen.
- Älä käytä koruja, kun työskentelet sähköisten komponenttien läheisyydessä.
- Jos työskentelet laitteen alla, varmista, että laite on asetettu turvatukien varaan.
- Lyijyä sisältävistä (NESTE-) akuista saattaa päästä tulenarkaa kaasua käytön aikana. Pidä akut etäällä kipinöistä, avotulesta ja savuavista materiaaleista sekä säteilevistä, hohtavista ja palavista esineistä.
- Lataamisen aikana lyijyä sisältävistä (WET)-akuista saattaa päästä räjähdysherkkää vetykaasua. On varmistettava, että lataaminen tapahtuu hyvin ilmastoidussa tilassa ja kaukana avotulesta.

**VAROITUS!**

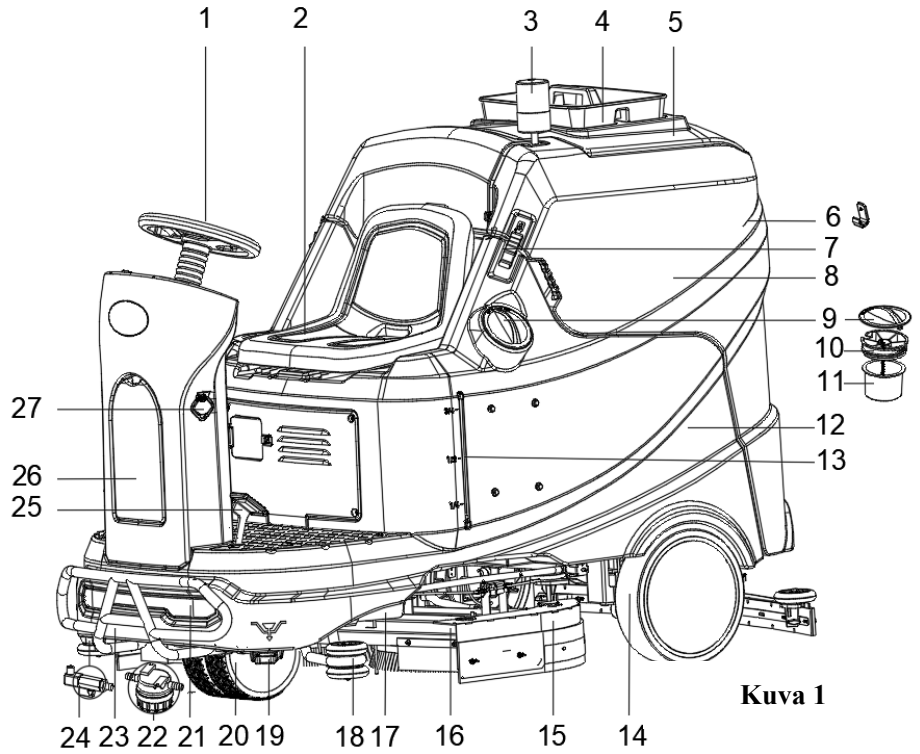
- Tämä kone on tarkoitettu KAUPALLISEEN KÄYTTÖÖN, esimerkiksi hotelleissa, kouluissa, sairaaloissa, tehtaissa, kaupoissa, toimistoissa ja vuokrausyrityksissä.
- Valvomattomat koneet on varmistettava tahattomalta liikkeeltä.
- Koneen luvattoman käytön estämiseksi virtalähde on kytkettävä pois päältä tai lukittava esimerkiksi poistamalla pääkytkimen avain tai virta-avain.
- Tarkista laite huolellisesti ennen jokaista käyttökertaa. Varmista, että kaikki laitteen osat ovat tiukasti paikoillaan ennen kuin käytät laitetta. Irralliset osat saattavat aiheuttaa henkilö- tai aineellisia vahinkoja
- Älä koskaan siirrä laitetta akun latausjohdosta vetämällä. Älä kuljeta johtoa suljetun oven välistä tai kiristä sitä tiukalle teräviä reunoja tai kulmia vasten. Älä kuljeta laitetta akun latausjohdon yli. Pidä akun latausjohto etäällä kuumista pinnoista.
- Älä lataa laitetta, mikäli akun latausjohto tai latausjohdon pistoke on vaurioitunut.
- Tulipalon, sähköiskun ja vammojen välttämiseksi varmista, että laite on sammutettu, kun poistut laitteen luota.
- Säilytä laitetta kuivassa sisätilassa. Laitetta ei ole sallittu ulkokäyttöön.
- Laitetta tulee käyttää ja säilyttää ainoastaan tiloissa, joiden lämpötila on 0 - 40 °C ja joiden ilmankosteus on välillä 30 % - 95 %.
- Älä käytä laitetta pinnoilla, joiden kaltevuus ylittää ohjeissa ilmoitetun suurimman sallitun kaltevuuden.
- Käyttäessäsi ja käsitellessäsi lattianpesuaineita noudata aineiden pakkauksissa esitettyjä ohjeita ja käytä asianmukaisia suojakäsineitä ja -varusteita.
- Käytä ainoastaan laitteen mukana toimitettuja tai sen ohjeissa ilmoitettuja harjoja ja laikkoja. Muiden harjojen ja laikkojen käyttö saattaa heikentää käyttöturvallisuutta.
- Mikäli laitteessa ilmenee toimintahäiriö, varmista aluksi, ettei häiriö johdu puutteellisiksi jääneistä huoltotoimenpiteistä. Mikäli tarpeen, ota yhteys asianmukaiseen huoltohenkilöstöön tai viralliseen huoltopisteeseen.
- Varmista aina, ettei hiuksia, koruja tai löysiä vaatteita pääse laitteen liittyvien osien väliin.
- Älä käytä laitetta erityisen pölyisissä ympäristöissä.

- Älä pese laitetta painepesurilla, vesisuihkulla tai millään syövyttävällä aineella.
- Vältä törmäämistä hyllyihin tai telineisiin, etenkin mikäli näillä on esineitä, jotka voivat pudota.
- Älä aseta nesteastioita laitetta vasten tai sen päälle. Pidä astiat asianmukaisissa pidikkeissään.
- Lattiaaurioiden välttämiseksi käytä laitteen harjaa/laikkaa ainoastaan silloin, kun laite on liikkeessä.
- Tulipalon sattuessa: käytä jauhesammutinta palon sammuttamiseen. Älä käytä nestettä sisältäviä sammuttimia.
- Älä poista tai muokkaa laitteeseen kiinnitettyjä merkintöjä.
- Älä poista tai muokkaa laitteen turvasuojuksia ja noudata tarkkaan kaikkia laitetta koskevia huolto-ohjeita.
- Ole erityisen varovainen, mikäli kuljetat laitetta lämpötilan ollessa alle nolla astetta. Likavesisäiliössä ja letkuissa oleva vesi saattaa jäätyä, minkä seurauksena laite voi vaurioitua vakavasti.
- Mikäli laitteeseen tulee vaihtaa osia, tilaa asianmukaiset ja ALKUPERÄISET varaosat valtuutetulta jälleenmyyjältä tai maahantuojalta.
- Palauta kone huoltoliikkeeseen, jos se ei toimi normaalisti tai on vaurioitunut.
- Jotta laite toimisi asianmukaisella ja turvallisella tavalla, sitä on huollettava asianmukaisen huoltohenkilöstön tai valtuutetun jakelijan tai jälleenmyyjän toimesta tämän oppaan huoltoa koskevassa luvussa esitetyn huolto-ohjelman mukaisella tavalla.
- Laite on hävitettävä näissä ohjeissa esitetyllä tavalla, sillä laite sisältää haitallisia aineita (esim. akut), jotka lakien ja määräysten mukaan tulee toimittaa asianmukaisiin keräyspisteisiin (kts. luku Hävittäminen).
- Tämä kone on vain puhdistustyökalu, eikä sitä ole tarkoitettu mihinkään muuhun käyttöön.
- Pidä pöly, hiukset tai muut vieraat aineet etäällä laitteen ilmanvaihtoaukoista, jotta laitteen ilmanvaihto toimii asianmukaisesti. Älä käytä laitetta, mikäli ilmanvaihtoaukot ovat tukkeutuneet.
- Käytä laitetta vain hyvin valaistuissa tiloissa.
- Tätä konetta ei ole tarkoitettu käyttämään henkilöitä (mukaan lukien lapset), joilla on heikentyneet fyysiset, aisti- tai henkiset kyvyt tai joilla ei ole kokemusta ja tietoja.
- Tarkka tarkkaavaisuus on tarpeen käytettäessä lasten lähellä.
- Älä anna lasten leikkiä laitteella.
- Varmista, ettei laitteen käytöstä aiheudu henkilö- tai aineellisia vahinkoja.
- Lapset eivät saa puhdistaa ja huoltaa käyttäjiä ilman valvontaa.
- Käyttäjien on saatava riittävästi ohjeita näiden koneiden käytöstä.
- Älä käytä konetta ilman putoavilta esineiltä suojaavaa rakennetta (FOPS) alueilla, joilla käyttäjään voi todennäköisesti osua putoavia esineitä.

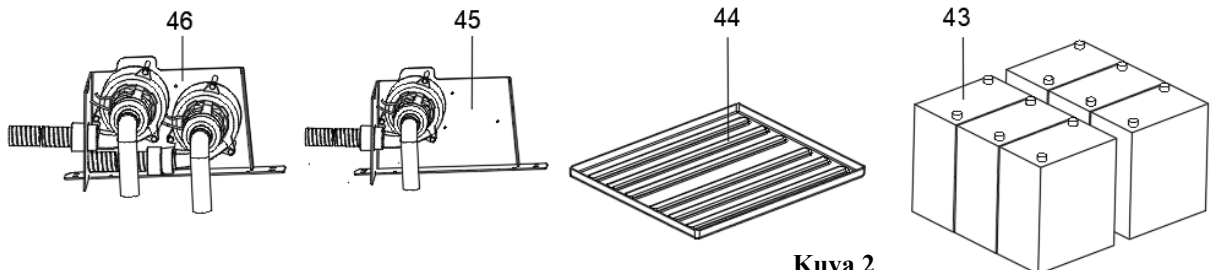
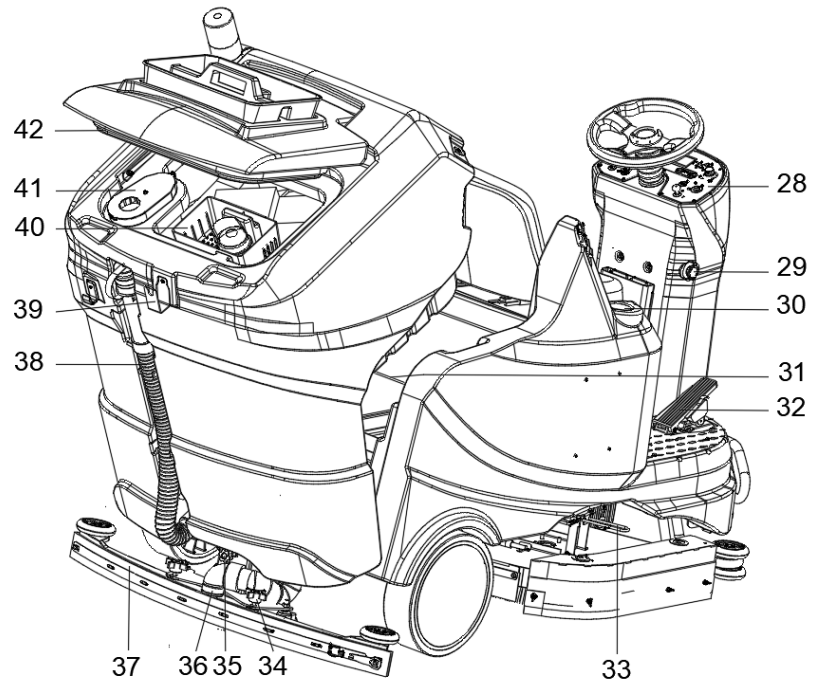
KONEEN KUVAUS

KONEEN RAKENNE* - valinnainen

1. Ohjauspyörä
2. Istuin, säädettävä (turvakytkimellä)
3. Varoitusvalo
4. Apuvaunu (*)
5. Talteenottosäiliön kansi
6. Koukku
7. Salpa (x2)
8. Talteenottosäiliö
9. Suodattimen kansi
10. Suodatinletkun pidike
11. Suodattimen tuki
12. Liuossäiliö
13. Vedenpinnan tason putki
14. Vetävät pyörät (mekaanisella jarrulla)
15. Sivuroiskeuojat
16. Harjakokoonpano
17. Pumppu
18. Puskurin pyörät
19. Liuossäiliön tyhjennyskansi
20. Etupyörät
21. Etuvalot
22. Liuossuodatin
23. Etupuskuri
24. Liuoksen sulkuventtiili
25. Mekaaninen jarrupoljin
26. Sisäinen säilytyskansi
27. USB-latausportti
28. Ohjauspaneeli
29. Häätätkaisin
30. Mukiteline
31. Talteenottosäiliön tukikaapeli
32. Kiihdytyspoljin
33. Harjan/pehmusteen käytön asennuksen pysäytys
34. Imulastan nupit
35. Imulastan kulman säätönuppi
36. Imulastan imuletku
37. Imulasta
38. Veden tyhjennysletku
39. Imulastan koukku
40. Roskien keräämislaatikko
41. Imun oton suodatin
42. Säiliön kannen tiiviste
43. Paristot (-)
44. Akkukotelo (*)
45. Tyhjiöjärjestelmä
46. Kaksoisimujärjestelmä (*)



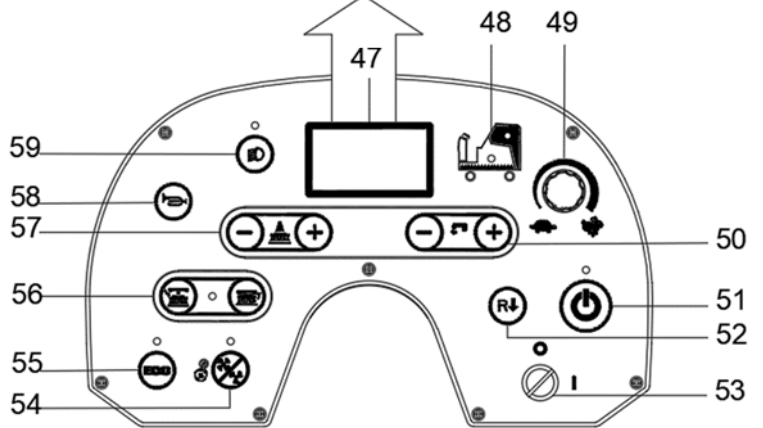
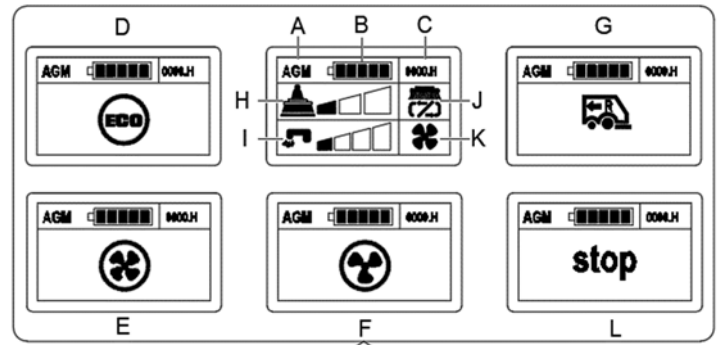
Kuva 1



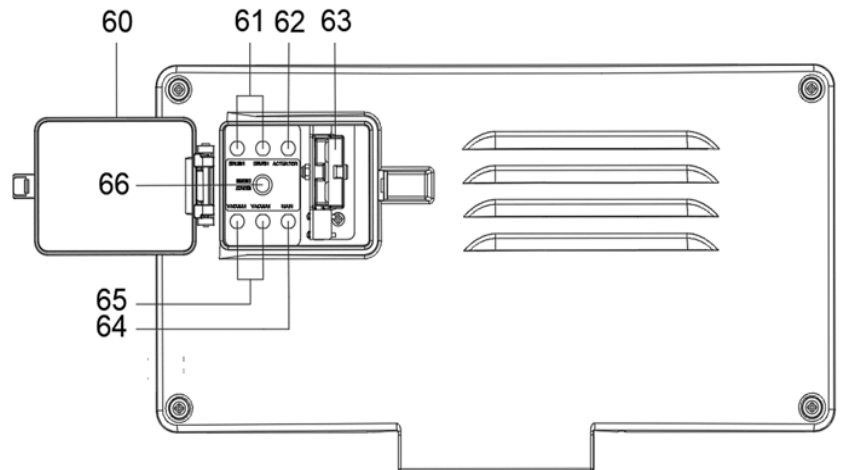
Kuva 2

OHJAUSPANEELI (kuten kuvassa)

47. Monitoiminäyttö
Näytetyt kohdat:
A) Akun tyyppi
B) Akun lataustaso
C) Tunteja työskennelty
D) EKO-tila
E) Tyhjiö normaalitila
F) Tyhjiö hiljainen tila
G) Peruustila
H) Lisäpaine aktiivinen
I) Pesuaineliuoksen virtausmäärä
J) Harjan työtila
K) Tyhjiötila
L) Istuimen turvakytin pois päältä
48. Talteenottosäiliö täynnä/liuossäiliö tyhjä -ilmais
49. Nopeudensäätönuppi
50. Liuoksen virtauksen säätöpainikkeet
51. One Start -painikekäynnistys
LED yllämainitussa painiketoiminnoissa aktivoitu
vesijärjestelmä (taso 2)
paine minimissä (taso 1)
imujärjestelmä normaali
52. Eteenpäin-peruutus-painike
53. Virta-avain (0=ON I=OFF)
54. Imujärjestelmän säätöpainike
(paina painiketta 1 sekunti sen aktivoimiseksi)
LED palaa koko ajan -normaali tila
LED vilkkuu -Hiljainen tila
55. EKO-tilan painike
LED yllämainitussa painiketoiminnoissa aktivoitu
veden virtaus minimissä (taso 1)
paine minimissä (taso 1)
Imu hiljainen-tilassa
56. Harjan/laikan pidikkeen napsautus päälle/pois
LED vilkkuu -Napsauta aktivoitua
57. Harjan paineen säätöpainikkeet
58. Äänimerkkipainike
59. Etuvalon painike
60. Laturin pistokkeen kansi
61. Harjamootorin ylikuormitussuoja (30 A)
62. Harjan noston ylikuormitussuoja (3 A)
63. Laturin pistoke
64. Pääohjauspiirin ylikuormitussuoja (5 A)
65. Imumootorin ylikuormitussuoja (30 A)
66. Imulastan noston ylikuormitussuoja (3 A)



Kuva 3



Kuva 4

TEKNISET PARAMETRIT

Parametrin tyyppi	AS1050R
Jännite	36 V
Nimellisteho (TULO)	125 A/4500 W
IP-suojaluokka	IP24
Liuossäiliön kapasiteetti	200 L/53 Gal.
Talteenottosäiliön kapasiteetti	200 L/53 Gal.
Harjapesun leveys	980mm/35,58 tuumaa
Harjan/laikan halkaisija	508 mm x 2/20 tuumaa x 2
Harjan/laipan paine (maksimi)	90 kg/198 lbs.
Harjamootorin teho (TULO)	2 x 1000 W/2 x 1,3 hv
Harjan nopeus normaali-tilassa	240 RPM
Harjan nopeus EKO-tilassa	175 RPM
Liuoksen virtaus (maksimi) asetusta kohden minuutissa	(1,6/2,3/3,3/4,6) litraa/0,42/0,61/0,87/1,22 gallonaa
Äänenpainetaso (yksi imumootori)	72 ± 3 dB (A)
Äänenpainetaso (kaksi imumootoria) (*)	75 ± 3 dB (A)
Äänen taso EKO-tilassa tai hiljainen-tilassa	69 ± 3 dB (A)
Imumootorin teho	600 W / 0,8 hv
USB-lataus	5 V 2,4 A MAKS.
Tuottavuus (maks)	7840 m ² /h/84389 ft ² /h
Työnopeus	0–8 km/0–5 mailia tunnissa
Nopeus eteenpäin	0–8 km/0–5 mailia tunnissa
Nopeus taaksepäin	0–5 km/0–3,1 mailia tunnissa
Käyttömootorin teho (TULO)	1600 W / 2,1 hv
Min. käytävä käännös	2650mm/104 tuumaa
Nousukyky (maks.) siirtoajo	20%
Nousukyky (maks.) työskentely	16%
Vetopyörän halkaisija	340mm/13,4 tuumaa
Takapyörän ominaispaine lattiaan	0,68 N/mm ²
Etupyörän halkaisija	250 mm/10 tuumaa
Etupyörän ominaispaine lattiaan	0,62 N/mm ²
Kahva tärinätaso (maksimi)	< 2,5 m/s ²
Akkulokeron koko ilman alustaa (P x L x K)	(680 x 560 x 450) mm/26,7x22x17,7 tuumaa
Akkulokeron koko ilman alustaa (P x L x K) (*)	(665x550x430) mm / 26,1 x 21,6 x 16,9 tuumaa
Koneen pituus ilman etupuskuria	1875mm/73,8 tuumaa
Koneen leveys ilman vetolastaa	1077mm/42,4 tuumaa
Koneen korkeus	1350 mm/53 tuumaa
Koneen korkeus (Yläsuojuksen kanssa)	1955 mm/77 tuumaa
Koneen paino tyhjillä säiliöillä (ilman akkuja)	398 Kg / 853,6 Lbs.
Bruttopaino (GVW)	870 Kg / 1914 Lbs.
Bruttopaino (GVW) (Yläsuojuksen kanssa)	897 Kg / 1973 Lbs.
Lähetyspaino	490 Kg / 1078 Lbs.
Pakkauksen mitat (P x L x K)	(2110 x 1220 x 1535 mm) / (83 x 48 x 60,4 tuumaa)

(*) : Valinnainen

KÄYTTÖOPAS

**VAROITUS!**

Koneen joissakin kohdissa on joitakin tarrakylttejä osoittaen:

- VAARA!
- VAROITUS!
- HUOMIO!
- TARKISTA OHJEET

Kun käyttäjä lukee tätä opasta, hänen on kiinnitettävä huomiota levyillä näkyviin symboleihin. Älä peitä näitä kylttejä mistään syystä ja vaihda ne välittömästi, jos ne ovat vahingoittuneet.

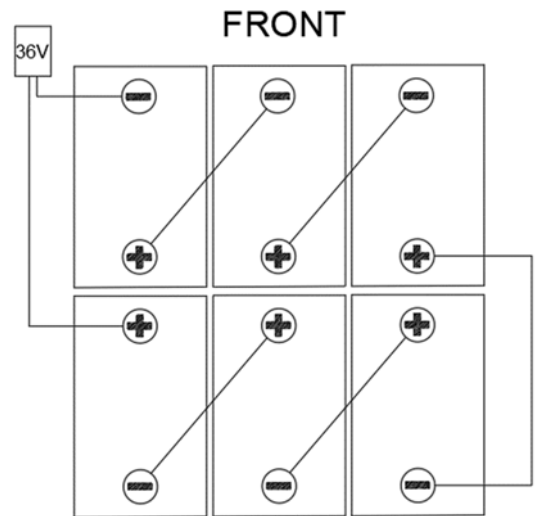
AKUN TARKISTUS / -ASETUS UUDELLA KONEELLA

**VAROITUS!**

Koneen sähkökomponentit voivat vaurioitua vakavasti jos akut on asennettu tai liitetty väärin. Vain pätevä henkilöstö voi asentaa akut. Aseta akkutyypin alla kuvatun menetelmän avulla käytetyn akkutyypin mukaisesti (MÄRKÄ- tai GEELI/AGM/DIS/ENE-akut). Tarkista paristot vaurioiden varalta ennen asennusta. Irrota akun liitin ja akkulatorin pistoke. Käsittele akkuja huolellisesti. Asenna koneen mukana toimitetut akun napojen suojahatut.

**HUOMAUTUS**

Koneeseen tarvitaan kuusi 6 V akkuja, jotka on kytketty ja asennettu kuvan 5 osoittamiin kohtiin.



Kuva 5

Akut jo asennettuina koneessa

1. Varmista, että akun liitin on kytketty.
2. Jos käytät laitetta ensimmäistä kertaa uusien akkujen kanssa, suorita täysi latausjakso (katso kohta Huolto-luku).

Ilman akkuja

1. Osta sopivat akut (katso kappale "Tekniset tiedot"). Akkujen valintaan ja asennukseen liittyen, ota yhteyttä valtuutettuihin akkujen jälleenmyyjiin.
2. Aseta akkutyypin asetus alla olevan menettelyn mukaisesti.

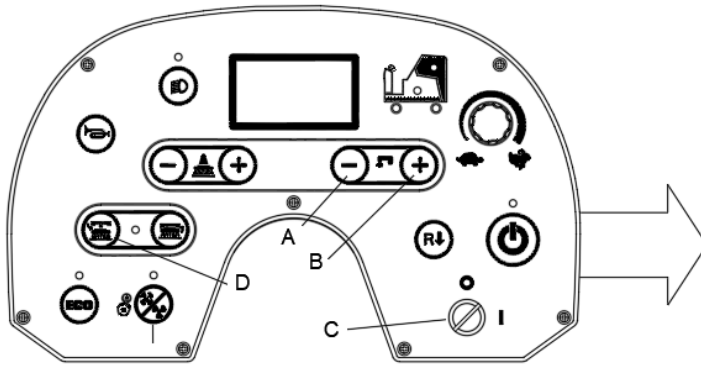
AKUN ASENNUS JA AKKUTYYPIN ASETUS (NESTE-/GEELI-/AGM/DIS/ENE-AKKU)**Akun asennus**

1. Avaa vasen ja oikea salpa (7, Kuva 1).
2. Avaa talteenottosäiliön kansi (5, Kuva 1) ja tarkista, että talteenottosäiliö (8, Kuva 1) on tyhjä, muussa tapauksessa tyhjännä se poistoletkulla (38, Kuva 2).
3. Sulje talteenottosäiliön kansi (5, Kuva 1).
4. Nosta talteenottosäiliötä (8, Kuva 1) varovasti.
5. Irrota talteenottosäiliön kaapeli ja irrota koko palautussäiliön kokoonpano.
6. Irrota yksi ruuvi talteenottosäiliön kääntökaapelista (31, Kuva 2), ja käänny takaisin.
7. Irrota talteenottosäiliön pohjan neljä ruuvia.
Koneen mukana toimitetaan kaapelit, jotka soveltuvat kuuden 6 V akun asentamiseen. Aseta akut varovaisesti akkutilaan ja asenna ne oikein, kuten kuvassa 5 on esitetty. Aseta akun kiinnityslevy oikein.
8. Vedä ja asenna akun kaapeli kuvan 5 mukaisesti, ja kiristä sitten varovasti akun napojen mutterit.

9. Aseta suojahattu kunkin navan päälle, sen jälkeen liitä akun liitin koneeseen.
10. Kokoa koko talteenottosäiliön rakenne purkamiseen nähden käänteisessä järjestyksessä.
11. Laske talteenottosäiliö varovasti.

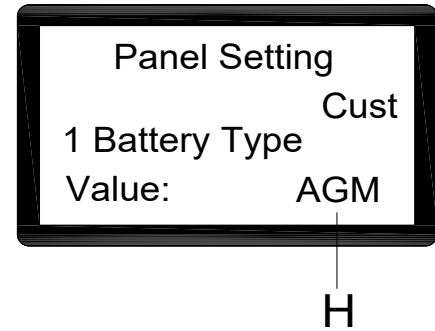
Akun tyyppin asetus (NESTE/GEELI/AGM/DIS/ENE) Pääsy akun tilan valintaan

Aseta kone akun tyyppin (NESTE/GEELI/AGM/DIS/ENE) mukaan seuraavasti:



Kuva 6

Access to select battery mode



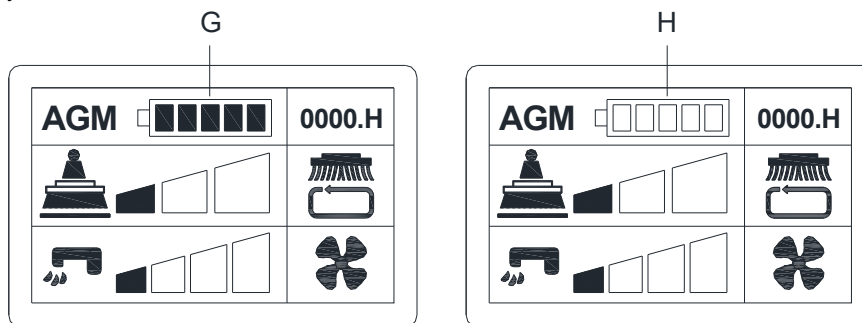
1. Paina veden virtauspainikkeita ”-” (A, Kuva 6) ja ”+” (B, Kuva 6) samanaikaisesti.
2. Aseta virta-avain (C, Kuva 6) paikoilleen, ja käännä se asentoon ”I”.
3. Muutaman sekunnin kuluttua päästään akkutilan valintanäyttöön (kuva 6).
4. Valitse akkutila painamalla veden virtauspainikkeita ”-” (A, Kuva 6) ja ”+” (B, Kuva 6) (H, Kuva 6).
5. Paina vapautuspainiketta (D, kuva 6), 3 sekuntia myöhemmin näkyvä ”Päivitys OK” tarkoittaa, että asetus onnistui. Käynnistä kone uudelleen. (C, Kuva 6).

Akun lataaminen

Lataa akut täyteen (katso menettely luvusta Huolto).

Akun purkaminen

Kun akkujen varaus on vähissä (H, Kuva 7), akut on ladattava. Kun akkujen lataus on alhainen (H, Kuva 7), akut on ladattava. Muutaman sekunnin kuluttua matala akun varaus näkyy, harjamoottorit kytkeytyvät automaattisesti pois päältä samalla kun vetojärjestelmä pysyy päällä. Aja kone nimetylle latausalueelle.



Kuva 7

HARJAN/LAIKAN PIDIKKEEN ASENNUS JA IRROTUS



HUOMAUTUS

Asenna joko harja (A, Kuva 8) tai laipan pidike (B ja C, Kuva 8) puhdistettavan lattian tyyppin mukaan.



HUOMIO!

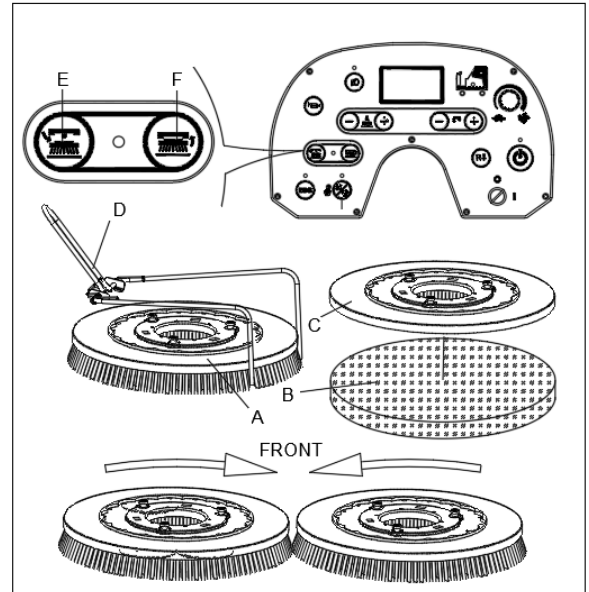
Varmista ennen harjan -/laikan pitimen asennusta/irrottamista, että kaikki koneen kytkimet ovat off-asennossa ja vetolasta on nostettu ylös lattiasta. Koneen käyttäjän tulee käyttää tehtävään soveltuvia henkilökohtaisia suojavarusteita, kuten käsineitä, onnettomuuksien vähentämiseksi.

Toimi näin:**ASENNUS:**

1. Aseta virta-avain (53, Kuva 3) paikoilleen, ja käännä se asentoon "I". Nosta kansi
2. Aseta harjat (A, Kuva 8) tai laikan pidikkeet (B, Kuva 8) kannen alle. Käytä harjan asennuspysäytintä (D, Kuva 8) löytääksesi oikean asennon harjalle/laikan pidikkeeseen.
3. Asenna harjan/laikan pidike painamalla harjan/laikan pidikkeen painiketta (F, Kuva 8), ja harja/laikan pidike asennetaan automaattisesti. Pyörimissuunta näytetään (kuva 8). LED-merkkivalo vilkkuu.

IRROTUS:

1. Aseta virta-avain (53, Kuva 3) paikoilleen, ja käännä se asentoon "I". Varmista, että harja/laikan pidike on nostetussa (YLÖS) asennossa. Poista harja/laikan pidike painamalla harjan/laikan pidikkeen vapautuspainiketta (E, Kuva 8), ja harja/laikan pidike vapautetaan automaattisesti. LED-merkkivalo palaa jatkuvasti.



Kuva 8

Jos painat harjan pois päältä -napsautuspainiketta ja päälle-napsautuspainiketta, sinun on kytkettävä virta-avain ensin pois ja sitten päälle, jotta kone voi toimia uudelleen.

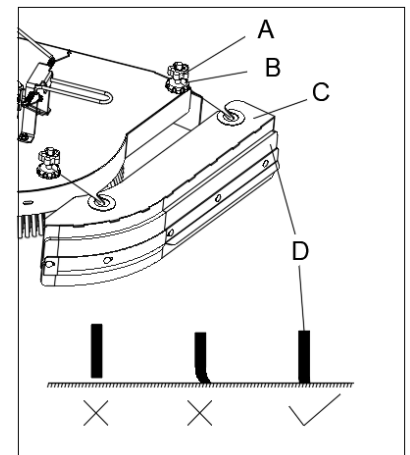
SIVUSUOJIEN TASAPAINON SÄÄTÖ

Sivusuojan korkeutta on seurattava ja säädettävä. Kun puhdistat koneella, tarkista sivusuojien toiminta.

- A. Jos sivusuojat ovat liian korkealla, sivusuojan (D) ja lattian välinen rako jättää vettä lattialle käännoksissä.
- B. Jos sivusuojat ovat liian matalalla, sivusuoja (D) taipuu liian kauas, jättäen vettä käännoksissä ja lyhentäen sivusuojan käyttöikää.
- C. Oikea säätö on, kun sivusuojat koskettavat kevyesti lattiaa sivusuojat edestä taakse saakka.

Säätömenettely on seuraava:

1. Varmista, että kansi on nostetussa (YLÖS) asennossa.
2. Löysää yläkiinnitysmutterit (A) ja poista sivusuojakokoonpano.
3. Säädä alempia kiinnitysmuttereita (B) ylös/alas.
4. Asenna sivusuojakokoonpano uudelleen ja tarkista säätö.
5. Toista 3. ja 4. tarpeen mukaan, kunnes sivusuojan säätö on oikea.
6. Kiristä yläkiinnitysmutterit (A) säädön lukitsemiseksi.
7. Toista toimenpide toisella puolella olevalla roiskesuojalla.

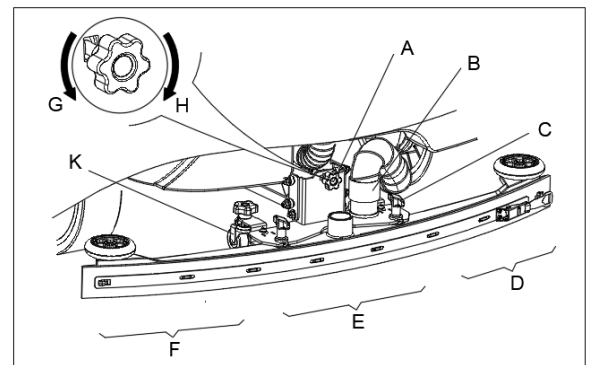


Kuva 9

IMULASTAN TASAPAINON SÄÄTÄMINEN

1. Asenna imulasta paikalleen ja kiristä mutterit (C, Kuva 10), tämän jälkeen liitä imuletku (B) imulastaan.
2. Säädä imulastan asentoa imulastan säätönupista (A).
 - a) Mikäli taemman imuimulastan terän (E) keskiosa ei kosketa lattiaa, säädä nuppia (A) vastapäivään (H), kunnes kaikki taemman imulastan terän osat ovat hyvässä kosketuksessa alustaan ja etuterä koskettaa alustaa kevyesti.
 - b) Mikäli taemman imulastan kumpikaan reuna (D ja F) ei kosketa lattiaa, säädä nuppia (A) vastapäivään (G), kunnes takaimulastan terän kaikki osat osuvat hyvin alustaan ja etuterä koskettaa alustaa kevyesti.

Jos olet valmis, säädä koko imulastan korkeutta säätämällä kääntyvän pyörän (K) korkeutta.



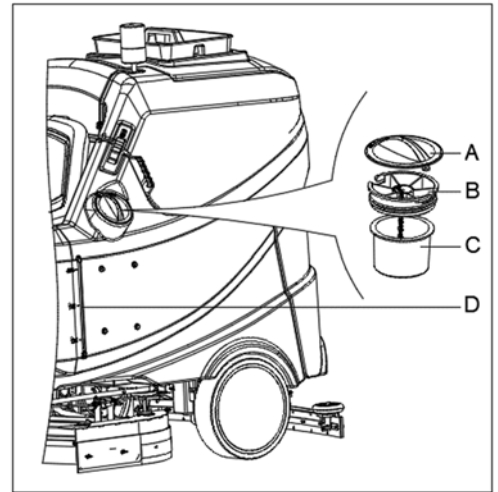
Kuva 10

LIUOSSÄILIÖN TÄYTTÄMINEN

1. Avaa vedenottoaukon kansi (B, Kuva 11).
2. Täytä vedellä tai työn suorittamiseen sopivalla liuoksella suodattimen vedenottoaukon läpi.
Liuoksen lämpötila ei saa olla yli +104 °F (+40 °C).
3. Älä ylitäytä säiliötä, tarkasta vesimäärä vedenkorkeuden ilmaisimesta (D).

**VAROITUS!**

Käytä vain vähän vaahtoavia ja palamattomia pesuaineita, jotka on tarkoitettu automaattipesusovelluksia varten.



Kuva 11

KÄYTTÖMOOTTORIN JA MEKAANISEN JARRUN TARKASTUS

1. Käännä virta-avain (A, Kuva 12) asentoon "I" ja istu istuimelle (C).
2. Kevennä kaasupoljinta (C) hieman ja vapauta se sitten kokonaan tarkistaaksesi, että konetta voidaan ohjata eteenpäin ja pysäyttää.
3. Tarkista turvallisuuden varmistamiseksi, että kone voidaan pysäyttää välittömästi hätäpainikkeen (B) avulla. Pyöritä hätäpainiketta nollataksesi sen.
4. Paina mekaanista jarrupoljinta (F) nopeasti tarkistaaksesi, voidaanko kone pysäyttää välittömästi.

**VAROITUS!**

Työkäytön nousukyky ei saa ylittää 16 prosenttia. Kun työskentelet kaltevalla pinnalla, säiliön salvat (7, Kuva 1) on pidettävä kytkettyinä. Turvallisuuden vuoksi älä koskaan pysäytä laitetta kaltevalle pinnalle.

Kun kiipeät rinnettä, jonka kaltevuus on enintään 20 %, säädä nopeutta rajoittava potentiometri etukäteen maksiminopeusasentoon. Paina kaasupoljin maksimiin samalla, kun kiipeät rinnettä.

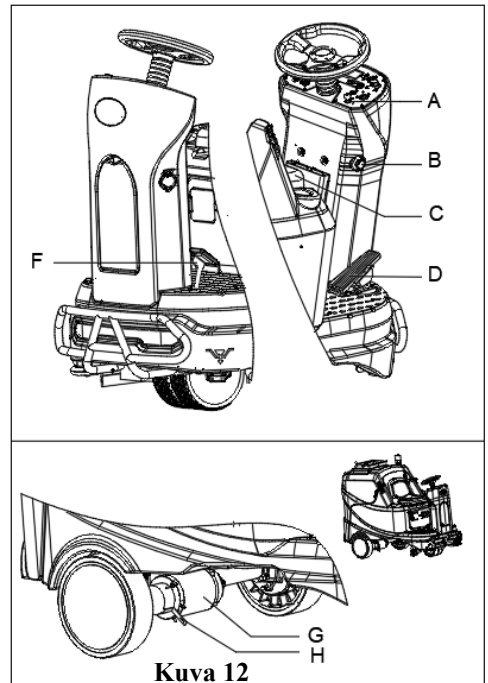
Jos peset rinteessä, jonka kaltevuus on enintään 16 %, säädä nopeutta rajoittava potentiometri etukäteen maksiminopeusasentoon. Jos näytöllä lukee "Error 4, Tra Overload", säädä harjan paine alimpaan asetukseen.

Jos havaitset, että koneen nopeus hidastuu ja se on lähellä pysähtymistä rinnettä noustessa ja "Error 4, Tra Overload" ilmestyy näytölle, vapauta kaasupoljin välittömästi ja paina mekaanista jarrua.

Jos "Error 4, Tra Overload" tulee näkyviin rinnettä noustessa, pysähdy välittömästi ja paina mekaanista jarrua, kytke virta-avain off-asentoon ja käännä sitten virta-avain uudelleen on-asentoon käynnistääksesi äläkä nouse rinteeseen. Säädä nopeutta rajoittava potentiometri hitaaseen nopeuteen ja paina sitten peruutuspainiketta, vapauta mekaaninen jarru ja paina kaasupoljinta kevyesti niin, että kone voi liikkua hitaasti taaksepäin, kunnes saavutetaan vähäisempi kaltevuus.

**VAROITUS**

Käyttömoottorin jarru vapautetaan, kun moottori toimii normaalisti, ja se lukittuu, kun moottori on pois päältä. Joissakin erityistapauksissa, kuten koneen pakkaaminen/purkaminen, koneen vika jne., konetta voi olla tarpeen työntää. Paina käyttömoottorin (G, Kuva 12) jarrukahvaa (H, Kuva 12), koneen jarru vapautetaan ja konetta voidaan siirtää. Kun valmista, työnnä kahva takaisin, jotta kone voi toimia.



Kuva 12

KONEEN KÄYNNISTYS JA PYSÄYTYS**Käynnistä kone**

1. Valmistele kone kuten näytetty edellisessä kappaleessa.
2. Istu istuimelle (K, Kuva 13), aseta virta-avain paikoilleen (J, Kuva 13) ja käännä se asentoon "I". Tarkista akkujen tila näyttöruudulta. Lataa akut tarvittaessa (katso menettely luvusta Huolto).
3. Aja kone työskentelyalueelle.

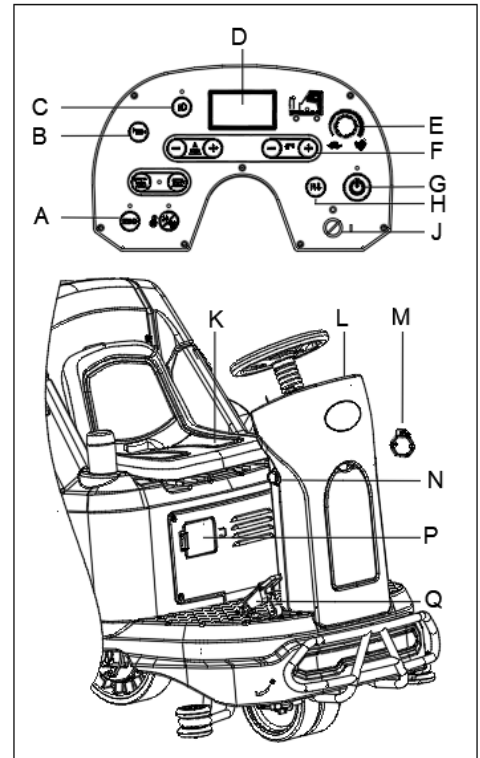
Eteenpäin/taaksepäin-suunta voidaan valita kytkimellä (H, Kuva 13). Nopeutta voidaan säätää säätölaitteella (E, Kuva 13).

4. Paina One-Start -painiketta (G, Kuva 13) käynnistäaksesi koneen, imulasta ja harjat laskeutuvat lattiaan automaattisesti ja imumoottori alkaa toimia.
5. Paina tarvittaessa liuksen virtauksen ohjauspainikkeita (F, Kuva 13) riippuen suoritettavan puhdistuksen tyypistä.
6. Paina kaasupoljinta (Q, Kuva 13) ja aloita puhdistus.
7. Voit ladata puhelimesi tai tablettisi akkuja USB-latausliitännän (M, Kuva 13) kautta, kun virta-avain (J, Kuva 13) on käännetty "I"-asentoon.
8. Paina äänimerkin painiketta (B, Kuva 13) tarvittaessa varoittaaksesi muita ihmisiä.
9. Paina tarvittaessa hätäpainiketta (N, Kuva 13), jos on tehtävä koneen hätäpysäytys.
10. Paina tarvittaessa etuvalojen painiketta (C, Kuva 13) pimeillä alueilla tai varoittaaksesi jalankulkijoita.
11. Tarvittaessa säädä istuinta (K, Kuva 13) kääntämällä oikealle istuimen oikealla puolella olevaa kahvaa ja siirtämällä istuin sitten oikeaan asentoon.



HUOMAUTUS

Harjamoottori, imumoottori, käyttömoottori ja ohjauspiiri on suojattu ylikuormitussuojalla (P, Kuva 13). Kun ylikuormitussuoja laukeaa, älä nollaa sitä välittömästi selvittämättä ensin perimmäistä syytä siihen, ja varmista ennen nollausta, että moottori on jäähtynyt.



Kuva 13

Pysäytä kone

12. Vapauta kaasupoljin (Q, Kuva 13), ja kone pysähtyy.
13. Pysäytä harjat ja imumoottori painamalla One-Start -painiketta (G, Kuva 13). Harjat ja imulasta nostetaan lattiasta automaattisesti. Imujärjestelmä pysähtyy muutaman sekunnin kuluttua.
14. Käännä virta-avain asentoon "0".
15. Varmista, että kone ei voi liikkua itsenäisesti.

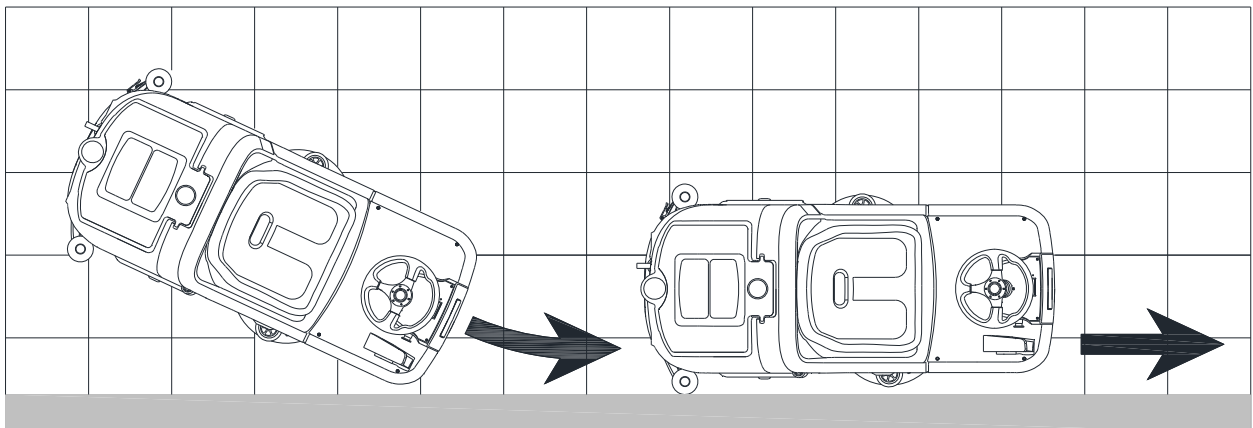
KONEEN KÄYTTÖ (PESU JA KUIVAAMINEN)

1. Käynnistä kone edellisissä kappaleissa kuvattuja menettelytapoja noudattaen.
2. Aloita puhdistaminen noudattamalla kohdassa "Koneen käynnistys" kuvattuja menettelytapoja.
3. Tarvittaessa pysäytä kone, jos sivusuoja tarvitsee säätöä, ja suorita säätäminen kohdan "Sivusuojan tasapainon säätäminen" mukaisesti.
4. Tarvittaessa pysäytä kone, jos imulasta tarvitsee säätöä, ja suorita säätäminen kohdan "Imulastan tasapainon säätäminen" mukaisesti.



HUOMAUTUS

Lattioiden oikean pesun/kuivaamisen varmistamiseksi seinien sivuilla. On suositeltavaa mennä seinien lähelle koneen oikealla puolella, kuten kuvassa (kuva 14) esitetään.



Kuva 14

SÄILIÖN TYHJENNYS

Veden talteenottosäiliön tyhjentäminen

Kun monitoiminäytössä (47, Kuva 3) näkyy VIRHE 24 ja talteenottosäiliön täyttymisen ilmaisin (48, Kuva 3) on päällä. Se osoittaa, että talteenottosäiliö (C, Kuva 15) on täynnä, eikä imumoottori voi enää kuivata lattiaa. Tyhjennä talteenottosäiliö seuraavissa vaiheissa:

1. Pysäytä kone.
2. Nosta harjan/laikan pidikkeen kansi ja imulasta painamalla One Start -painikekäynnistystä (51, Kuva 3).
3. Aja kone osoitetulle poistoalueelle.
4. Tyhjennä veden talteenottosäiliö letkulla (D, Kuva 15). Huuhtelee sen jälkeen säiliö (C, Kuva 15) puhtaalla vedellä.



HUOMIO!

Kun tyhjennät jätevettä, pidä tyhjennysletkua korkealla ja taita se yläosan yli välttääksesi roiskeet käyttäjän päälle.

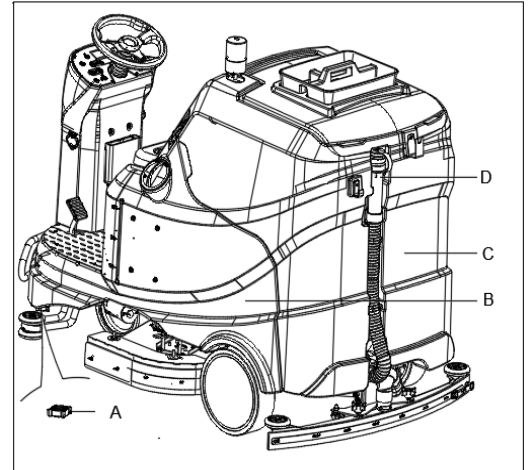
Liuoksen / puhdasvesisäiliön tyhjentäminen

1. Tyhjennä liuossäiliö tyhjennysaukon kannella (A, Kuva 15). Huuhtelee säiliö puhtaalla vedellä työskentelyn jälkeen.

KONEEN KÄYTÖN JÄLKEEN

Työskentelyn jälkeen, ennen koneelta poistumista:

1. Poista harjat/laikan-pidikkeet painamalla vasenta vapautuspainiketta (56, Kuva 3) ja puhdistane.
2. Tyhjennä säiliöt (B ja C, Kuva 15), kuten näytetty edellisessä kappaleessa.
3. Suorita päivittäiset huoltotoimenpiteet (katso Huolto-kappale).
4. Säilytä konetta puhtaassa ja kuivassa paikassa, kun harjat/laipan pidikkeet ja vetolasta on nostettu tai poistettu.
5. Käytä talteenottosäiliön kannen tukea pitämään kannen auki. Tämä auttaa estämään hajujen kerääntymistä sisäpuolelle.



Kuva 15

KONEEN SÄILYTYS PITKÄ TOIMIMATTOMUUDEN AIKANA

Jos konetta ei käytetä yli 30 päivään, menettele seuraavasti:

1. Suorita Koneen Käytön jälkeen -kappaleessa osoitetut menettelyt.
2. Irrota akun liitin.

KÄYTÖN ENSIMMÄINEN JAKSO

Tarkista ensimmäisen 8 tunnin jälkeen laitteen kiinnitys ja liitososien kireys ja tarkista näkyvät osat kulumisen ja vuotojen varalta.

HUOLTO



VAROITUS!

Huoltotoimenpiteet tulee suorittaa vasta sen jälkeen, kun laite on kytketty pois päältä ja akun latausjohto on irrotettu. Lue lisäksi kaikki tässä käyttöoppaassa esitetyt turvaohjeet.

Määräaikaisten ja ylimääräisten huoltotoimenpiteiden saa suorittaa vain asianmukaisen koulutuksen saanut henkilö tai valtuutettu huoltoliike. Tässä oppaassa on kuvattu vain yleiset/tavanomaiset huoltotoimenpiteet.

Jos haluat lisätietoja muista huoltotoimenpiteistä, joita ei ole huoltoaikataulukossa, ota yhteyttä teknisen tuen osastoomme.

MÄÄRÄAJAISHUOLTOJEN AIKATAULU

**HUOMIO!**

Numerolla (1) merkityt toimenpiteet tulee suorittaa ensimmäisten 8 käyttötunnin jälkeen. Numerolla (2) merkityt toimenpiteet saa suorittaa ainoastaan yrityksemme valtuuttama huoltoliike.

Toimenpide	Päivittäin, jokaisen käyttökerran jälkeen	Viikoittain	Puolivuosittain	Vuosittain
Akun lataaminen				
Imulastan puhdistus				
Harja-/laikkapään puhdistus				
Säiliön puhdistus				
Säiliön tiivistenuhan tarkistus				
Roskien keräyslaatikon puhdistus				
Harjan/laikan puhdistaminen				
Roiskeläpän puhdistus				
Imulastan terän tarkistus ja vaihto				
Liuoksen suodattimen puhdistus				
Imusuodattimen puhdistus				
WET-akun nestetason tarkistus				
Ruuvien ja mutterien kireyden tarkistus			(1)	
Lisää pyöriviin osiin voiteluöljyä (esim. jarruöljyä)			(1)	
Harjamootorin hiiliharjan tarkistus tai vaihto				(2)
Imumootorin hiiliharjan tarkistus tai vaihto				(2)
Vetomootorin hiiliharjan tarkistus tai vaihto				(2)

INTRODUCTION



ATTENTION !

Certaines informations générales et détaillées de la machine ne figurent pas dans ce guide. Reportez-vous au Manuel de DÉMARRAGE RAPIDE fourni sur le CD-ROM et lisible avec Adobe® Reader®.



REMARQUE

Les chiffres entre parenthèses renvoient aux éléments présentés dans le chapitre Description de la Machine.

BUT ET CONTENU DU GUIDE

Le but de ces instructions d'utilisation est de fournir à l'opérateur toutes les informations de base et les caractéristiques techniques, les conditions de fonctionnement, d'inactivité, les pièces détachées et les conditions de sécurité de la machine, etc.

Avant d'effectuer toute opération sur la machine, les opérateurs et les techniciens qualifiés doivent lire les Instructions d'utilisation. Contacter notre société en cas de doutes concernant l'interprétation des instructions ou pour toute information complémentaire.

COMMENT CONSERVER CES INSTRUCTIONS D'UTILISATION

Les instructions d'utilisation doivent être conservées près de la machine, dans une pochette spéciale, à l'écart des liquides et d'autres substances susceptibles de l'abîmer.

DÉCLARATION DE CONFORMITÉ

La déclaration de conformité est fournie avec la machine et certifie la conformité de la machine rapport à la loi en vigueur.



REMARQUE

Les copies de la déclaration originale de conformité sont fournies avec la documentation de la machine.

ACCESSOIRES ET ENTRETIEN

Toutes les opérations nécessaires, les procédures d'entretien et de réparation doivent être effectuées par un personnel qualifié ou par le centre d'entretien désigné de notre société. N'utiliser QUE les pièces détachées et les accessoires autorisés.

Contacter le service à la clientèle de notre société pour tout service ou achat d'accessoires ou pièces détachées si nécessaire.

CHANGEMENT ET AMÉLIORATION

Nous nous engageons à l'amélioration continue de nos produits. La société se réserve le droit de modifier et d'améliorer la machine sans informations supplémentaires.

CHAMP D'APPLICATION

L'autolaveuse s'applique à l'usage commercial et industriel. Elle convient pour le nettoyage de sols lisses et fermes et doit être manipulée par mesure de sécurité par une personne qualifiée. Elle ne convient pas pour une utilisation en extérieur ou pour le nettoyage de la moquette ou des revêtements de sol rugueux.

DONNÉES D'IDENTIFICATION DE LA MACHINE

Le numéro de série et le nom du modèle de la machine sont indiqués sur l'étiquette de série.

Ces informations sont utiles. Utiliser le tableau suivant pour noter les données d'identification de la machine, lors de communication nécessitant des pièces de rechange pour la machine.

MODÈLE DE LA MACHINE.....
NUMÉRO DE SÉRIE DE LA MACHINE.....

TRANSPORT ET DÉBALLAGE

Lorsque le transporteur livre la machine, s'assurer que l'emballage et la machine sont à la fois intacts et en bon état. En cas de dommage, porter à la connaissance du transporteur les dommages avant d'accepter les marchandises, afin de se réserver le droit en termes de réparation des dommages.

Suivre attentivement les instructions sur l'emballage, lors du déballage de la machine.

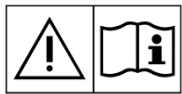
Vérifier que les éléments suivants sont inclus dans l'emballage :

1. Documentation technique -- Instructions d'utilisation.
2. Composants de connexion de la batterie.
3. Manuel du chargeur électronique de la batterie (selon les modèles) (*)

SÉCURITÉ

Les symboles suivants indiquent les situations potentiellement dangereuses. Toujours lire attentivement ces informations et prendre toutes les précautions nécessaires pour protéger les personnes et les biens.

SYMBOLES VISIBLES SUR LA MACHINE



AVERTISSEMENT !

Lire toutes les instructions avec attention avant d'effectuer toute opération sur la machine.



AVERTISSEMENT !

Ne pas laver la machine avec des jets d'eau directs ou sous pression.



AVERTISSEMENT !

Ne pas utiliser la machine pour travailler sur des pentes ayant une inclinaison dépassant ce qui est défini au chapitre des spécifications.

SYMBOLES UTILISÉS DANS CES INSTRUCTIONS D'UTILISATION



DANGER !

Cela indique une situation dangereuse avec risque de mort pour l'opérateur.



AVERTISSEMENT !

Cela indique un risque potentiel de blessure pour les personnes.



ATTENTION !

Cela indique un avertissement ou une remarque concernant des fonctions importantes ou utiles.

Prêter l'attention aux paragraphes marqués par ce symbole.



REMARQUE

Cela indique une remarque sur des fonctions importantes ou utiles.



CONSULTATION

Ceci indique la nécessité de se référer aux instruction d'utilisation avant d'entreprendre toute procédure.

CONSIGNES GÉNÉRALES DE SÉCURITÉ

Les avertissements et les mises en garde spécifiques, pour informer des dommages potentiels aux personnes et à la machine, sont indiqués ci-dessous.



DANGER !

- Cette machine doit être exploitée par du personnel qualifié et autorisé selon les conseils du manuel.
- Avant d'effectuer toute opération de nettoyage, d'entretien, de réparation ou de remplacement, lire attentivement toutes les instructions, veiller à éteindre la machine et à débrancher le connecteur de la batterie.
- Ne pas faire fonctionner la machine à proximité de poudres, vapeurs ou liquides toxiques, dangereux, inflammables et/ou explosifs. Cette machine ne convient pas pour la collecte des poudres dangereuses.
- Ne pas porter de bijoux lors du travail à proximité de composants électriques.
- Ne pas travailler sous la machine soulevée sans qu'elle soit supportée par des béquilles de sécurité.
- Les batteries liquides peuvent émettre des gaz inflammables lors de leur utilisation normale. Éloigner les étincelles, les flammes, les substances fumigènes et les éléments rayonnants, éclairants et brûlants des batteries.
- Lors du chargement de batteries au plomb (À LIQUIDE), de l'hydrogène gazeux peut s'en dégager risquant de provoquer des explosions. Veiller à ce que l'environnement de chargement soit bien aéré et loin des flammes.



AVERTISSEMENT !

- Cette machine est conçue pour l'USAGE COMMERCIAL, par exemple dans des hôtels, des écoles, des hôpitaux, des usines, des magasins, des bureaux et des entreprises de propreté.
- Les machines laissées sans surveillance doivent être bloquées afin d'empêcher tout mouvement involontaire.
- Afin de prévenir un usage non autorisé de la machine, la source d'alimentation doit être commutée ou verrouillée, par exemple en enlevant la clé du commutateur principal ou la clé de contact.
- Inspecter attentivement la machine avant chaque utilisation. Veiller à ce que tous les composants aient été bien assemblés avant l'utilisation. Les éléments lâches peuvent causer des dommages aux personnes et aux biens.
- Ne jamais déplacer la machine en tirant sur le câble du chargeur de batterie. Ne pas faire passer le câble par une porte fermée ni l'enrouler autour de bords ou d'arêtes tranchantes. Ne pas faire fonctionner la machine sur le câble du chargeur de batterie. Éloigner le câble du chargeur de batterie des surfaces chauffées.
- Ne pas charger les batteries si le câble de chargeur de batterie ou la fiche sont endommagés.
- Pour réduire le risque d'incendie, de choc électrique ou de blessure, s'assurer que la machine est éteinte avant de partir.
- Utiliser ou stocker la machine en intérieur dans des conditions sèches. Il est interdit de l'utiliser en extérieur.
- La température de stockage et de travail doit être comprise entre 0 °C et +40 °C, l'humidité de l'air doit être comprise entre 30% et 95%.
- Ne pas utiliser la machine sur des pentes dont l'inclinaison dépasse les spécifications.
- Lors de l'utilisation et de la manipulation de détergents de nettoyage de sols, suivre les instructions des étiquettes des bouteilles de détergent et porter des gants et de protection appropriés.
- Utiliser les brosses et les supports de disque fournis avec la machine ou définis dans le manuel. L'utilisation d'autres brosses ou supports de disque pourrait diminuer la sécurité.
- En cas de mauvais fonctionnements de la machine, veiller à ce qu'ils ne soient pas dus à un manque d'entretien. Si nécessaire, demander l'assistance du personnel autorisé ou d'un centre d'entretien agréé.
- Prendre toutes les précautions nécessaires pour empêcher les cheveux, les bijoux et les vêtements amples d'être retenus par des pièces en mouvement de la machine.
- Ne pas utiliser la machine dans des endroits particulièrement poussiéreux.

- Ne pas laver la machine avec des jets d'eau directs ou sous pression, ou avec des substances corrosives.
- Ne pas heurter d'étagères ou d'échafaudages, en particulier lorsqu'il y a un risque de chute d'objets.
- Ne pas poser de récipients contenant des liquides sur la machine, utiliser le porte-gobelet prévu à cet effet.
- Pour éviter d'endommager le sol, ne pas laisser la brosse/le disque fonctionner alors que la machine est à l'arrêt.
- En cas d'incendie, utiliser un extincteur à poudre. Ne pas utiliser les extincteurs liquides.
- Ne pas enlever ou modifier les autocollants de la machine.
- Ne pas modifier les dispositifs de sécurité de la machine et suivez scrupuleusement les instructions d'entretien prévu.
- Faire attention pendant le transport de la machine, si la température est sous le point de congélation. L'eau, dans le réservoir de récupération et dans les tuyaux, pourrait geler et causer de sérieux dommages à la machine.
- Si les pièces détachées doivent être remplacées, commander les pièces détachées D'ORIGINE auprès d'un concessionnaire agréé.
- Retourner la machine au centre d'entretien, si elle ne fonctionne pas comme d'habitude ou si elle est endommagée.
- Pour assurer un fonctionnement adéquat et sécurisé de la machine, l'entretien prévu indiqué dans le chapitre correspondant de ce manuel doit être effectué par le personnel autorisé ou un concessionnaire ou revendeur agréé.
- La machine doit être correctement éliminée, étant donné la présence de matières toxiques (batteries, etc.) soumises à des normes qui exigent l'élimination dans des centres spéciaux (voir le chapitre Mise au rebut).
- Cette machine est un outil de nettoyage qui ne doit pas être utilisé à d'autres fins.
- Toujours garder les ouvertures exemptes de poussière, de poils et de tout autre corps étranger qui pourrait réduire le flux d'air. Ne pas utiliser la machine si les ouvertures sont bouchées.
- Utiliser la machine à condition de disposer d'un éclairage adapté.
- Cette machine n'est pas conçue pour être utilisée par des personnes (y compris des enfants) avec des facultés physiques, sensorielles ou mentales réduites, ou manquant d'expérience et de connaissances.
- Une attention particulière est nécessaire lorsqu'elle est utilisée à proximité d'enfants.
- Les enfants doivent être surveillés afin de s'assurer qu'ils ne jouent pas avec la machine.
- Tout en utilisant cette machine, prendre soin de ne pas causer de dommages aux personnes ou aux objets se trouvant aux alentours.
- Le nettoyage et l'entretien réservés à l'utilisateur ne doivent pas être confiés à des enfants sans surveillance.
- Les opérateurs doivent être formés correctement à l'utilisation de ces machines.
- N'utilisez pas la machine sans une structure de protection contre les chutes d'objets (SPCO) dans les zones où des objets risquent de tomber et de blesser l'opérateur.

DESCRIPTION DE LA MACHINE

STRUCTURE DE LA MACHINE* - facultatif

1. Volant
2. Siège, réglable
(avec interrupteur de sécurité)
3. Voyant d'avertissement
4. Chariot utilitaire (*)
5. Couvercle du réservoir de récupération
6. Crochet
7. Loquet (x2)
8. Réservoir de récupération
9. Couvercle du filtre
10. Support du tuyau de filtre
11. Support du filtre
12. Réservoir de la solution
13. Tube de niveau d'eau
14. Roues motrices
(avec freins mécaniques)
15. Bavettes anti-projection latérales
16. Ensemble brosse
17. Pompe
18. Roues d'amortisseur
19. Couvercle de vidange du réservoir de solution
20. Roues avant
21. Feux avant
22. Filtre de solution
23. Parechoc avant
24. Vanne d'arrêt de la solution
25. Pédale de frein mécanique
26. Couvercle de rangement interne
27. Port USB de charge
28. Panneau de commande
29. Interrupteur d'urgence
30. Porte-gobelet
31. Câble de support du réservoir de récupération
32. Pédale d'accélération
33. Butée d'installation du pilote de brosse/disque
34. Molettes de la raclette
35. Bouton de réglage de l'équilibre de la raclette
36. Tuyau d'aspiration de la raclette
37. Raclette
38. Tuyau de vidange de l'eau de récupération
39. Crochet de la raclette
40. Boîtier de collecte des débris
41. Filtre d'aspiration
42. Joint du couvercle du réservoir
43. Batteries (NA)
44. Support de batterie
45. Système d'aspiration
46. Double système d'aspiration (*)

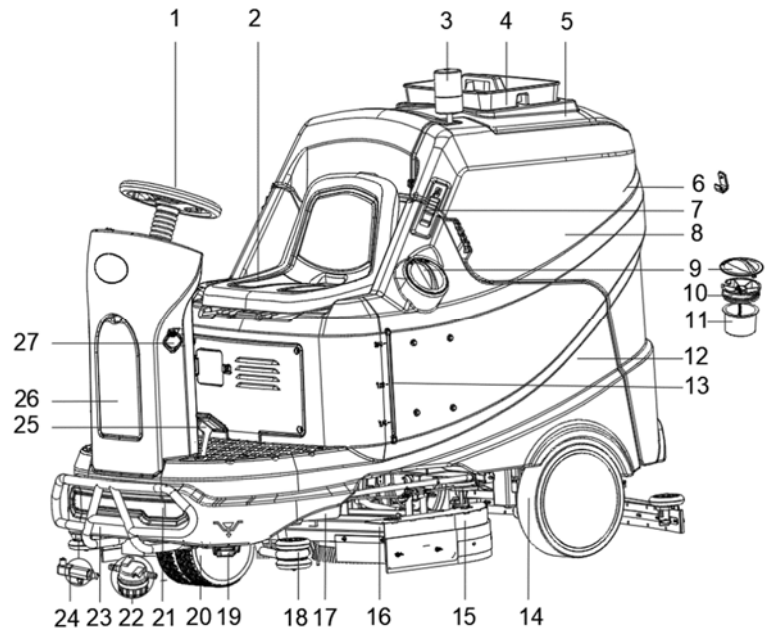


Figure 1

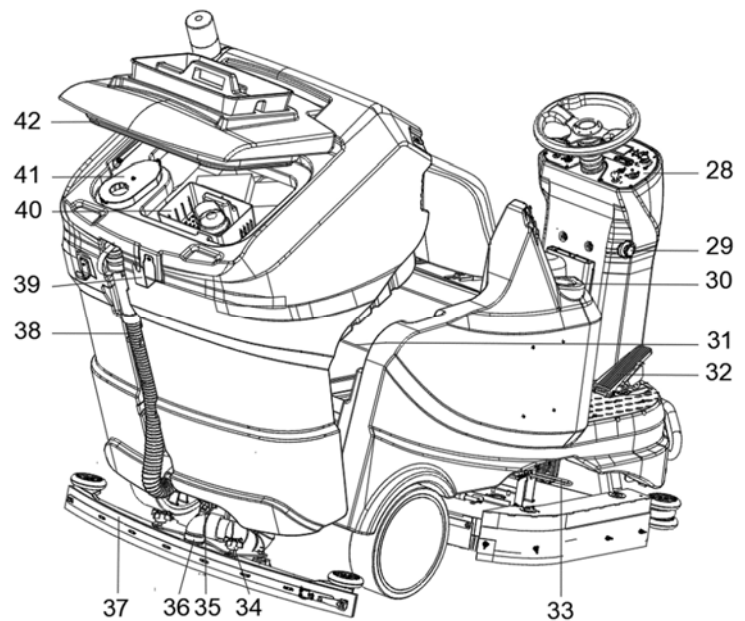


Figure 2

PANNEAU DE COMMANDE (comme illustré)

- 47. Affichage multifonction
Éléments affichés :
A) Type de batterie
B) Niveau de charge de la batterie
C) Heures de fonctionnement
D) Mode ECO
E) Mode d'aspiration normal
F) Mode d'aspiration silencieux
G) Mode de marche arrière
H) Forte pression active
I) Quantité écoulée de solution détergente
J) Mode de travail de brosse
K) Mode d'aspiration
L) Interrupteur de sécurité du siège éteint
- 48. Voyant réservoir de récupération plein/réservoir de solution vide
- 49. Bouton de réglage de la vitesse
- 50. Bouton de réglage du débit de solution
- 51. Bouton unique de démarrage
· LED allumée-fonction supérieure activée
système d'eau (niveau 2)
· pression au minimum (niveau 1)
· système d'aspiration normal
- 52. Bouton marche avant/marche arrière
- 53. Clé de contact (0= MARCHE I=ARRÊT)
- 54. Bouton de réglage du système d'aspiration
(appuyez sur le bouton 1 seconde pour l'activer)
· LED allumée fixe - Mode normal
· LED clignotante - Mode silencieux
- 55. Bouton de mode ECO
· LED allumée-fonction supérieure activée
· débit d'eau au minimum (niveau 1)
· pression au minimum (niveau 1)
· aspiration en mode silencieux
- 56. Clic marche/arrêt de la tête de lavage
· LED clignotant - clic marche activé
- 57. Boutons de réglage de pression de brosse
- 58. Bouton du klaxon
- 59. Bouton de feux avant
- 60. Couvercle de la fiche du chargeur
- 61. Limiteurs de surcharge du moteur de la brosse (30A)
- 62. Limiteur de surcharge du releveur de brosse (3A)
- 63. Fiche du chargeur
- 64. Limiteur de surcharge du circuit de commande principal (5A)
- 65. Limiteur de surcharge du(des) moteur(s) d'aspiration (30A)
- 66. Limiteur de surcharge du releveur de raclette (3A)

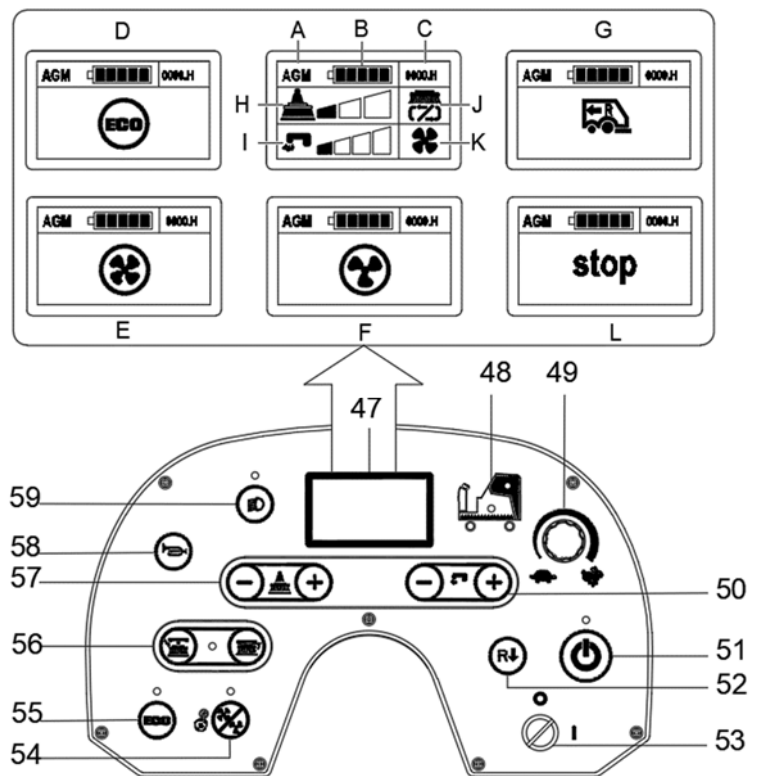


Figure 3

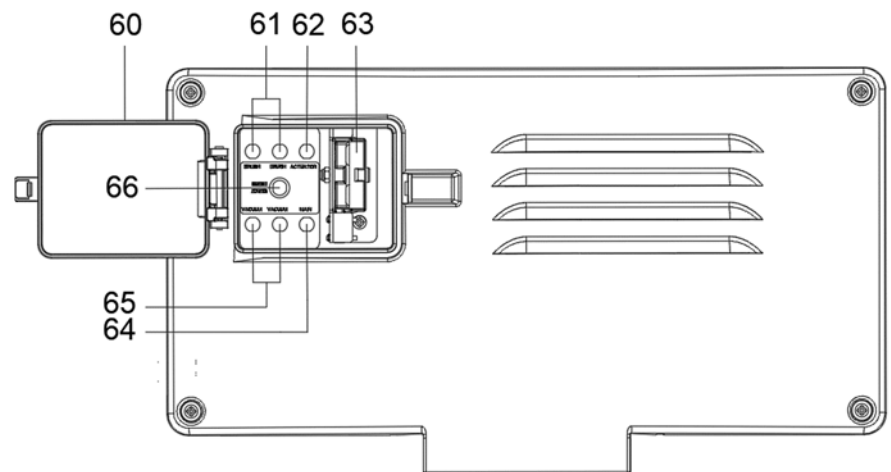


Figure 4

CARACTERISTIQUES TECHNIQUES

Type de paramètre	AS1050R
Tension	36 V
Puissance nominale (ENTRÉE)	125A/4500W
Indice de protection IP	IP24
Capacité du réservoir de solution	200L / 53 Gal.
Capacité du réservoir de récupération	200L / 53 Gal.
Largeur de lavage	980mm/35,58 pouces
Diamètre de la brosse/disque	508 mm x 2/ 20 pouces x 2
Pression de la brosse/disque (max)	90 Kg / 198 Lbs.
Puissance du moteur de la brosse (ENTRÉE)	2 X 1000 Watt / 2 X 1,3 CV
Vitesse de brosse en mode normal	240 tr/min
Vitesse de brosse en mode ECO	175 tr/min
Débit de solution (max) par paramétrage/minute	(1,6/2,3/3,3/4,6) Litres / 0,42/0,61/0,87/1,22Gal
Niveau de pression acoustique (un moteur d'aspiration)	72 ± 3 dB (A)
Niveau de pression acoustique (deux moteurs d'aspiration) (*)	75 ± 3 dB (A)
Niveau de pression acoustique en mode ECO ou en mode silencieux	69 ± 3 dB (A)
Puissance du moteur d'aspiration	600 W / 0,8 CV
USB de charge	5 V 2,4 A MAX.
Productivité (max)	7840 m ² /h/84389 pi ² /h
Vitesse de travail	0 – 8 km / 0 – 5 milles à l'heure
Vitesse d'avancement	0 – 8 km / 0 – 5 milles à l'heure
Vitesse de marche arrière	0 – 5 km / 0 – 3,1 milles à l'heure
Puissance du moteur d'entraînement (ENTRÉE)	1600 W / 2,1 CV
Braquage min	2650mm/104 pouces
Pente admissible (max) pour transport	20%
Pente admissible (max) pour travail	16%
Diamètre des roues motrices	340mm/13,4 pouces
Pression spécifique des roues motrices sur le sol	0,68 N/mm ²
Diamètre des roues avant	250 mm/10 pouces
Pression spécifique des roues avant sur le sol	0,62 N/mm ²
Niveau de vibration de la poignée (max)	< 2,5 m/s ²
Dimensions du compartiment de la batterie sans support (L x l x H)	(680x560x450) mm / 26,7 x 22 x 17,7 po
Dimensions du compartiment de la batterie avec support (L x l x h)(*)	(665x550x430) mm / 26,1 x 21,6 x 16,9 po
Longueur de la machine sans pare-chocs avant	1875mm/73,8 pouces
Largeur de la machine sans raclette	1077mm/42,4 pouces
Hauteur de la machine	1350 mm/53 pouces
Hauteur de la machine(Avec toit de protection)	1955 mm/77 pouces
Poids de la machine avec des réservoirs vides (sans batteries)	398 Kg / 853,6 Lbs.
Masse totale en charge (MTC)	870 Kg / 1914 Lbs.
Masse totale en charge (MTC) (Avec toit de protection)	897 Kg / 1973 Lbs.
Poids d'expédition	490 Kg / 1078 Lbs.
Dimensions de l'emballage (L x l x h)	(2110 x 1220 x 1535 mm) / (83x 48 x 60,4 po)

(*) : Options

GUIDE D'UTILISATION

**AVERTISSEMENT !**

En certains endroits de la machine il y a des plaques adhésives indiquant :

- DANGER !
- AVERTISSEMENT !
- ATTENTION !
- CONSULTATION

En lisant ce manuel, l'opérateur doit prêter une attention particulière aux symboles figurant sur les plaques. Ne pas couvrir ces plaques, quel que en soit la raison, et les remplacer immédiatement en cas de détérioration.

VÉRIFICATION/RÉGLAGE DE LA BATTERIE SUR UNE NOUVELLE MACHINE

**AVERTISSEMENT !**

Les composants électriques de la machine peuvent être sérieusement endommagés si les batteries sont mal installées ou mal connectées. Les batteries doivent être uniquement installées par un personnel qualifié. Définir le type de batterie selon la procédure ci-dessous en fonction du type de batteries utilisé (batteries à LIQUIDE ou GEL/AGM/DIS/ENE). Vérifier si les batteries sont endommagées avant de les installer. Déconnecter le connecteur de la batterie et la fiche du chargeur de batterie. Manipuler les batteries avec grande précaution. Installer les bouchons de protection des bornes de la batterie fournis avec la machine.

**REMARQUE**

La machine nécessite six batteries de 6 V, connectées et installées dans les positions illustrées à la Figure 5.

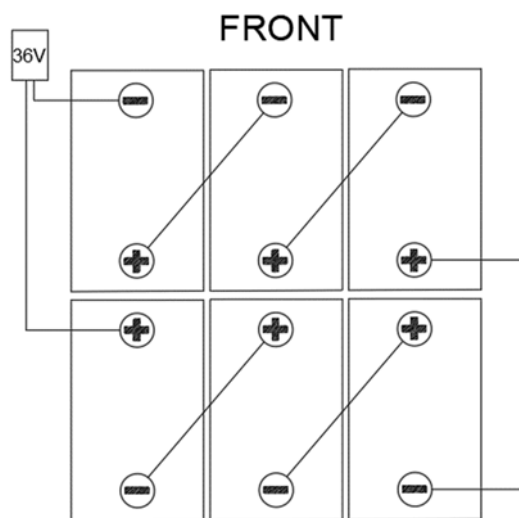


Figure 5

Batteries déjà installées dans la machine

1. Vérifier que le connecteur de batterie est connecté.
2. À la première utilisation de la machine avec des batteries neuves, effectuer un cycle de charge complet (voir la procédure au chapitre Entretien).

Sans batterie

1. Acheter des batteries adaptées (voir le paragraphe « Données Techniques »). Pour le choix et l'installation des batteries, s'adresser à des revendeurs de batteries qualifiés.
2. Définir le paramétrage du type de batterie à l'aide de la procédure ci-dessous.

INSTALLATION DES BATTERIES ET RÉGLAGE DU TYPE DE BATTERIE (LIQUIDE/GEL/AGM/DIS/ENE)**Installation de la batterie**

1. Ouvrir les loquets gauche et droit (7, Figure 12).
2. Ouvrez le couvercle du réservoir de récupération (5, Figure 1) et vérifiez que le réservoir de récupération (8, Figure 1) est vide ; sinon, le vider avec le flexible de vidange (38, Figure 2).
3. Fermer le couvercle du réservoir de récupération (5, Figure 1).
4. Soulever le réservoir de récupération (8, Figure 1) avec précaution.
5. Débrancher le câble du réservoir de récupération et retirer l'ensemble du réservoir de récupération.
6. Retirer une vis du câble de support du réservoir de récupération (31, Figure 2) et le ramener en arrière.
7. Retirer les quatre vis du réservoir de récupération au bas de celui-ci.

La machine est fournie avec des câbles adaptés à l'installation de 6 batteries 6 V. Mettre soigneusement les batteries dans le compartiment, puis les installer correctement comme indiqué à la Figure 5. Mettre correctement la plaque fixe de la batterie.

8. Acheminer et installer le câble de la batterie comme indiqué dans la Figure 5, puis serrer soigneusement l'écrou sur chaque borne de la batterie.

9. Placer le bouchon de protection sur chaque borne, puis connecter le connecteur de la batterie machine
10. Monter l'ensemble du réservoir de récupération dans l'ordre inverse du démontage.
11. Abaisser avec précaution le réservoir de récupération.

Réglage du type de batterie (LIQUIDE/GEL/AGM/DIS/ENE)

Accès pour sélectionner le mode de batterie

Selon le type de batteries (LIQUIDE/ GEL/AGM/DIS/ENE), régler la machine comme suit :

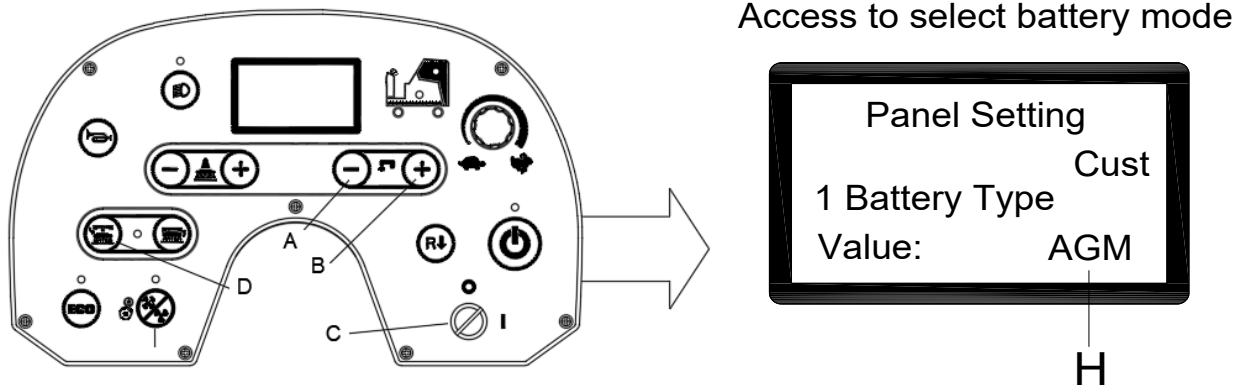


Figure 6

1. Appuyer simultanément sur le bouton d'écoulement d'eau « - »(A, Figure 6) et « + »(B, Figure 6).
2. Insérer la clé de contact (C, Figure 6) et la tourner sur « I ».
3. Après plusieurs secondes, entrer dans l'écran de sélection du mode de batterie (Figure 6).
4. Appuyer sur le bouton d'écoulement d'eau « - » (A, Figure 6) et « + » (B, Figure 6) pour sélectionner le mode batterie (H, Figure 6).
5. Appuyer sur le bouton de déblocage (D, Figure 6), 3 secondes plus tard, « Mise à jour OK » s'affiche ce qui signifie que le réglage est réussi. Redémarrer la machine. (C, Figure 6).

Chargement des batteries

Charger totalement les batteries (voir la procédure au chapitre d'entretien).

Déchargement des batteries

Lorsque la barre indicatrice des batteries est pleine (G, Figure 7), celles-ci sont entièrement chargées. Lorsque la barre indicatrice des batteries est faible (H, Figure 7), celles-ci doivent être chargées. Quelques secondes après l'affichage de l'indication de batterie faible, les moteurs de la brosse sont automatiquement coupés, tandis que le système de traction reste en marche. Conduire immédiatement la machine jusqu'à l'emplacement de recharge indiqué.

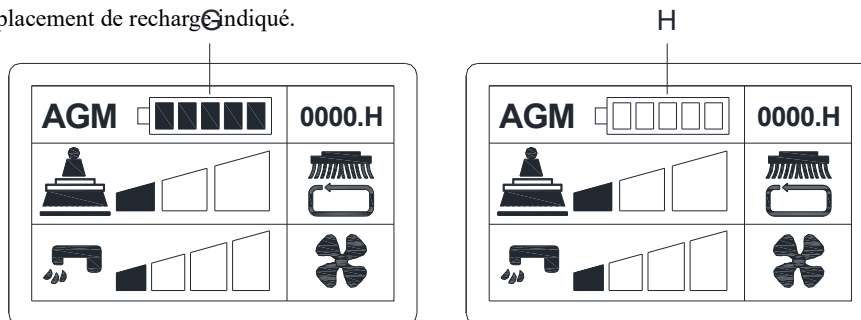


Figure 7

INSTALLATION ET RETRAIT DE LA TÊTE DE LAVAGE



REMARQUE

Installer soit la brosse (A, Figure 8) soit le support de disque (B et C, Figure 8) selon le type de sol à nettoyer.



ATTENTION !

Avant l'installation ou le retrait de la brosse ou du support de disque, s'assurer que tous les interrupteurs de la machine sont en position d'arrêt et que la raclette est soulevée du sol. L'opérateur doit être doté de dispositifs de protection personnels appropriés tels que des gants, afin de réduire le risque d'accidents.

Procéder comme suit :

POSE :

1. Insérer la clé de contact (53, Figure 3) et la tourner sur « I ». Soulever le plateau.
2. Placer les brosses (A, Figure 8) ou les supports de disque (B, Figure 8) sous le plateau. Utiliser la butée d'installation de la brosse (D, Figure 8) pour faciliter la recherche de la bonne position de la brosse/du support de disque.
3. Installer la brosse/le support de disque, en appuyant sur le bouton à clic de la brosse/du support de disque (F, Figure 8) ; la brosse/le support de disque sera automatiquement installé. Le sens de rotation est indiqué (Figure 8). Le voyant LED clignotera.

DÉPOSE

1. Insérer la clé de contact (53, Figure 3) et la tourner sur « I ». S'assurer que la brosse/le support de disque est en position haute (HAUT). Retirer la brosse/le support de disque, en appuyant sur le bouton de déblocage de la brosse/du support de disque (E, Figure 8) ; la brosse/le support de disque sera automatiquement débloqué. Le voyant LED sera fixe.

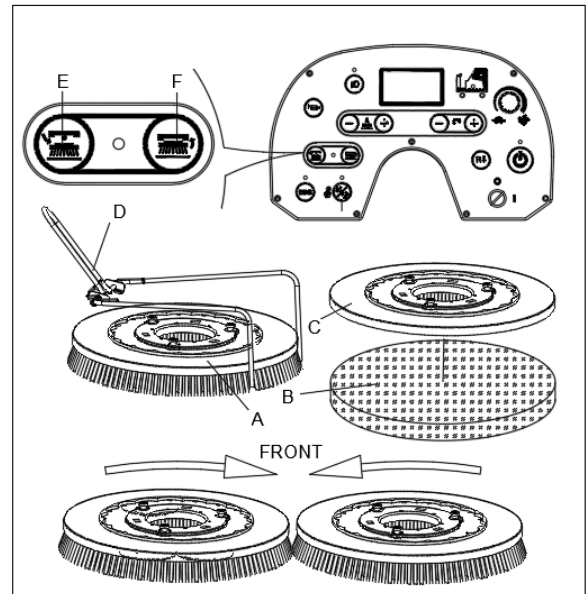


Figure 8

Si vous poussez sur l'interrupteur de la brosse pour l'arrêter puis la remettre en marche, il faudra tourner la clé de contact pour éteindre et rallumer la machine avant qu'elle ne puisse fonctionner à nouveau.

RÉGLAGE DE L'ÉQUILIBRE DES BAVETTES ANTI-PROJECTION LATÉRALES

La hauteur des bavettes anti-projection doit être surveillée et ajustée. Lors du nettoyage avec la machine, vérifier les performances des bavettes anti-projection latérales.

- A. Si les bavettes anti-projection sont trop hautes, l'espace entre la bavette (D) et le sol laissera de l'eau sur le sol dans les virages.
- B. Si les bavettes sont trop basses, la bavette (D) déviara trop loin, laissant de l'eau dans les virages et réduisant ainsi la durée de vie de la bavette.
- C. Pour un réglage approprié, les bavettes anti-projection doivent toucher légèrement le sol de l'avant à l'arrière de la bavette.

Procédure de réglage :

1. S'assurer que le plateau est en position haute.
2. Desserrer les écrous de retenue supérieurs (A) et retirer l'ensemble de raclette anti-projection.
3. Ajuster les écrous de retenue inférieurs (B) vers le haut/bas.
4. Remettre en place l'ensemble de raclette anti-projection et vérifier le réglage.
5. Répéter les étapes 3. et 4. si nécessaire jusqu'à ce que le réglage de la bavette anti-projection soit correct.
6. Serrer les écrous de retenue supérieurs (A) pour sécuriser le réglage.
7. Répéter la procédure de l'autre côté de la bavette.

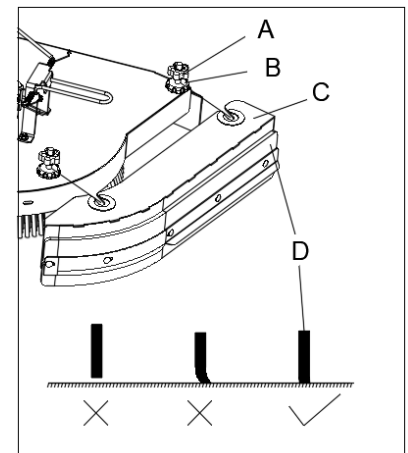


Figure 9

AJUSTEMENT DE L'ÉQUILIBRE DE L'EMBOUCHURE

1. Installer la raclette et serrer les écrous (C, Figure 10), puis raccorder le tuyau d'aspiration (B) à la raclette.
2. Régler la raclette par la molette de réglage de la raclette (A).
 - a) En cas d'écart entre le sol et la section centrale de la lame de raclette arrière (E), régler la molette (A) dans le sens des aiguilles d'une montre (H) jusqu'à ce que toutes les sections de la lame de raclette arrière soient en contact avec le sol et que la lame avant touche à peine le sol.
 - b) En cas d'écart entre le sol et les deux sections finales de la lame de raclette arrière (D et F), régler la molette (A) dans le sens contraire des aiguilles d'une montre (G) jusqu'à ce que toutes les sections de la lame de raclette arrière soient en contact avec le sol et que la lame avant touche à peine le sol.

Si nécessaire, régler toute la hauteur de la raclette en ajustant la hauteur de la roue à pivot (K).

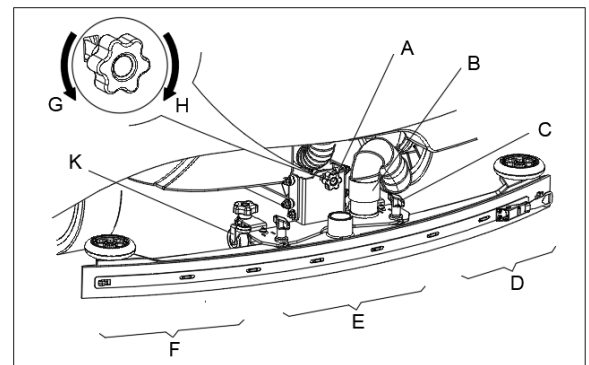


Figure 10

REPLISSAGE DU RÉSERVOIR DE SOLUTION

1. Ouvrir le couvercle d'entrée d'eau (A, Figure 11).
 2. Remplir d'eau ou de solution adaptée aux performances par l'entrée d'eau avec filtre.
- La température de la solution ne doit pas dépasser +104F (+40°C).
3. Ne pas trop remplir le réservoir, se reporter à l'indicateur de niveau d'eau (D) pour le volume d'eau.



AVERTISSEMENT !

Utiliser uniquement des détergents peu moussants et non-inflammables, qui sont destinés à des applications de nettoyage en autolaveuse.

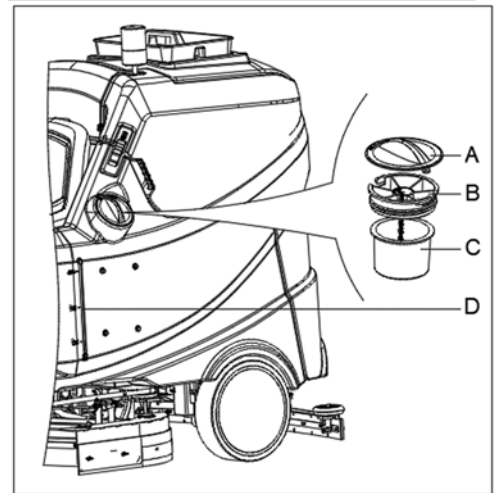


Figure 11

INSPECTION DU MOTEUR D'ENTRAÎNEMENT ET DU FREIN MÉCANIQUE

1. Tourner la clé de contact (A, Figure 12) sur « I », s'asseoir sur le siège (C).
2. Appuyer légèrement sur la pédale d'accélération (D), puis la relâcher afin de vérifier si la machine peut être dirigée vers l'avant et arrêtée.
3. Aux fins de sécurité, confirmer si la machine peut être arrêtée immédiatement en appuyant sur le bouton d'urgence (B). Tourner le bouton d'urgence pour le réinitialiser.
4. Appuyer rapidement sur la pédale de frein mécanique (F) pour vérifier si la machine peut être arrêtée immédiatement.



AVERTISSEMENT !

La pente admissible durant les opérations ne doit pas dépasser 16%. Lors du travail en pente, les loquets du réservoir (7, Figure 1) doivent être enclenchés. Par mesure de sécurité, ne jamais s'arrêter en pente.

Lorsque vous gravissez une pente avec une inclinaison maximale de 20%, réglez d'avance le potentiomètre limiteur de vitesse sur la position de vitesse maximale. Poussez à fond sur la pédale d'accélérateur tout en gravissant la pente.

En cas de lavage sur une pente avec une inclinaison maximale de 16%, réglez d'avance le potentiomètre limiteur de vitesse sur la position de vitesse maximale. Si l'écran affiche « Error 4, Tra Overload », réglez la pression de la brosse au niveau le plus bas.

Si vous constatez que la machine ralentit et est proche de l'arrêt alors qu'elle gravit une pente et que « Error 4, Tra Overload » s'affiche à l'écran, relâchez immédiatement la pédale d'accélérateur et poussez sur le frein mécanique.

Si « Error 4, Tra Overload » s'affiche lors de l'ascension d'une pente, arrêtez-vous immédiatement et appuyez sur le frein mécanique, tournez la clé de contact sur arrêt, puis sur marche pour redémarrer et abandonner l'ascension. Réglez le potentiomètre limiteur de vitesse sur une position de ralenti, puis appuyez sur le bouton de marche arrière. Relâchez le frein mécanique, poussez doucement sur l'accélérateur afin que la machine puisse reculer lentement jusqu'à atteindre une inclinaison plus douce.

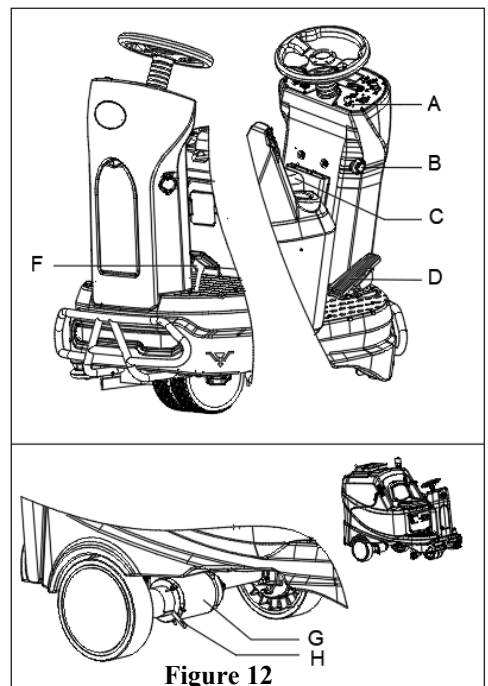


Figure 12



MISE EN GARDE

Le frein du moteur d'entraînement est débloqué lorsque le moteur fonctionne normalement, il se verrouille lorsque le moteur s'arrête. Dans certains cas particuliers, tels que l'emballage/déballage de la machine, une panne de la machine, etc., la machine peut avoir besoin d'être poussée. Sur le moteur d'entraînement (G, Figure 12) pousser vers le bas la poignée de frein (H, Figure 12) ; le frein de la machine est alors relâché et la machine peut être déplacée. Une fois terminé, tirer la poignée vers le haut pour que la machine puisse fonctionner.

DÉMARRAGE/ARRÊT DE LA MACHINE

Démarrer la machine

1. Préparer la machine comme indiqué dans le paragraphe précédent.
2. S'asseoir sur le siège (K, Figure 13), insérer la clé de contact (J, Figure 13) et la tourner sur « I ». Contrôler l'état des batteries à l'écran. Au besoin, charger les batteries (voir la procédure au chapitre Entretien).

3. Conduire la machine jusqu'à la zone de travail.

Le sens avant/arrière peut être commandé avec le commutateur (H, Figure 13). La vitesse peut être réglée avec le dispositif de réglage (E, Figure 13).

4. Appuyer sur le bouton unique de démarrage (G, Figure 13) pour démarrer la machine, la raclette et les brosses sont abaissées automatiquement jusqu'au sol et le moteur d'aspiration commence à fonctionner.
5. Presser les boutons de commande du débit de solution (F, Figure 13), si nécessaire, en fonction du type de nettoyage à effectuer.
6. Appuyer sur la pédale d'accélérateur (Q, Figure 13) et commencer le nettoyage.
7. Vous pouvez recharger votre téléphone ou tablette via le port de charge USB (M, Figure 13) lorsque la clé de contact (J, Figure 13) est tournée sur « I ».
8. Appuyer sur le bouton du klaxon (B, Figure 13) pour avertir les gens en cas de besoin.
9. Si nécessaire, appuyer sur le bouton d'urgence (N, Figure 13) pour l'arrêt d'urgence de la machine.
10. Si nécessaire, appuyer sur le bouton des feux avant (C, Figure 13) pour les zones sombres ou pour avertir les piétons.
11. Si nécessaire, régler le siège (K, Figure 13) en tournant la poignée à droite du siège, puis glisser le siège dans la bonne position.



REMARQUE

Le moteur de la brosse, le moteur d'aspiration, le moteur d'entraînement et le circuit de commande sont protégés par un limiteur de surcharge (P, Figure 13). Lorsqu'un limiteur de surcharge se déclenche, ne pas le réinitialiser immédiatement sans en connaître la cause profonde et s'assurer que le moteur a refroidi avant de le réinitialiser.

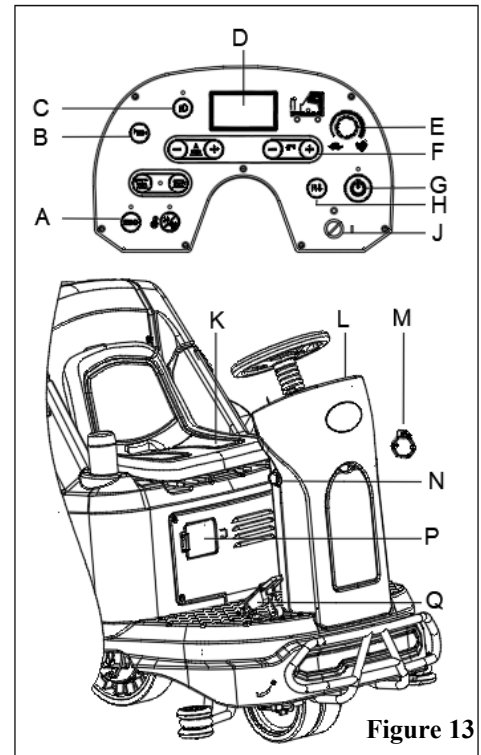


Figure 13

Arrêter la machine

12. Relâcher la pédale d'accélérateur (Q, Figure 13), la machine s'arrête de fonctionner.
13. Appuyer sur le bouton unique de démarrage (G, Figure 13) pour arrêter les brosses et le moteur d'aspiration. Les brosses et la raclette sont automatiquement soulevées du sol. Le système d'aspiration se coupe au bout de quelques secondes.
14. Tourner la clé de contact sur « 0 ».
15. S'assurer la machine ne peut pas bouger de façon indépendante.

FONCTIONNEMENT DE LA MACHINE (BROSSAGE ET SÉCHAGE)

1. Démarrer la machine selon les procédures prévues aux paragraphes précédents.
2. Commencer le nettoyage en suivant les procédures dans la section « Démarrage de la machine ».
3. Si nécessaire, arrêter la machine pour régler les bavettes anti-projection latérales selon la section « Réglage de l'équilibre des bavettes anti-projection latérales ».
4. Si nécessaire, arrêter la machine pour régler la raclette selon la section « Réglage de l'équilibre de la raclette ».



REMARQUE

Pour un lavage/séchage corrects des sols au niveau des plinthes, il est suggéré de s'approcher au plus près des murs avec le côté droit de la machine (Figure 14) comme sur la figure.

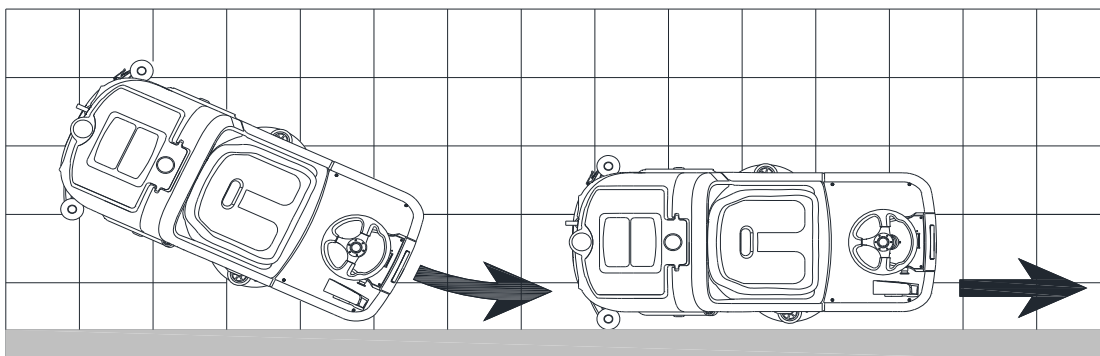


Figure 14

VIDANGE DU RÉSERVOIR

Vidange du réservoir d'eau de récupération

Lorsque l'écran multifonction (47, Figure 3) affiche ERREUR24 et que le voyant de réservoir de récupération plein (48, Figure 3) est allumé, le réservoir de récupération (C, Figure 15) est plein et le moteur d'aspiration ne peut plus sécher le sol. Vider le réservoir de récupération comme suit :

1. Arrêter la machine.
2. Soulever le plateau de brosse/support de disque en pressant le bouton unique de démarrage (51, Figure 3).
3. Conduire la machine jusqu'à la zone d'élimination désignée.
4. Vider le réservoir d'eau de récupération à l'aide du flexible (D, Figure 15). Ensuite, rincer le réservoir (C, Figure 15) à l'eau claire.



ATTENTION !

Lors de la vidange des eaux usées, maintenir le tuyau de vidange haut et le replier sur la section supérieure pour éviter de les répandre sur l'opérateur.

Vidange du réservoir de solution/d'eau propre

1. Vider le réservoir de solution par le bouchon de vidange (A, Figure 15). Après avoir travaillé, rincer le réservoir avec de l'eau propre.

APRÈS UTILISATION DE LA MACHINE

Après utilisation, avant de ranger la machine :

1. Enlever les brosses/supports de disque en pressant le gauche bouton de déblocage (56, Figure 3) et les nettoyer.
2. Vider les réservoirs (B et C, Figure 15), comme indiqué dans le paragraphe précédent.
3. Effectuer les procédures d'entretien quotidien (voir le chapitre Entretien).
4. Ranger la machine dans un endroit propre et sec, avec les brosses/supports de disque et la raclette soulevés ou retirés.
5. Utiliser le support du couvercle du réservoir de récupération pour maintenir le couvercle ouvert. Cela empêchera les odeurs de s'accumuler à l'intérieur.

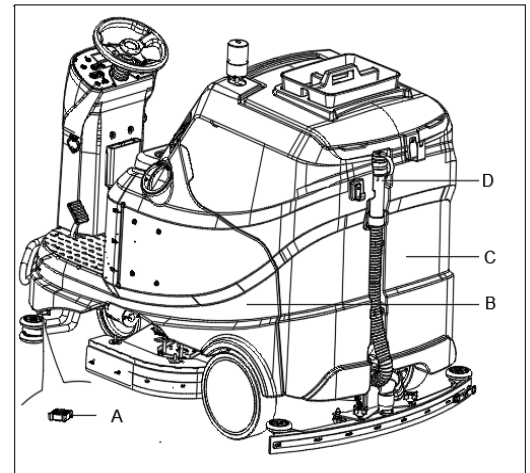


Figure 15

STOCKAGE DE MACHINE PENDANT UNE LONGUE INACTIVITÉ

Si la machine n'est pas utilisée pendant plus de 30 jours, procéder comme suit :

1. Effectuer les procédures indiquées dans le paragraphe « Après utilisation de la machine ».
2. Débrancher le connecteur de la batterie.

PREMIÈRE PÉRIODE D'UTILISATION

Après les 8 premières heures, vérifier le serrage de la machine et les pièces de liaison pour un serrage correct et vérifier les pièces visibles pour l'usure et les fuites.

ENTRETIEN



AVERTISSEMENT !

Les procédures d'entretien doivent être effectuées après que la machine ait été éteinte et le câble du chargeur de batterie ait été débranché. En outre, lire attentivement les chapitres sur la sécurité contenus dans ces instructions.

Toutes les procédures de maintenance programmées ou extraordinaires doivent être effectuées par un personnel qualifié ou un centre d'entretien agréé. Ce manuel ne décrit que les procédures d'entretien générales et communes.

Pour d'autres procédures d'entretien qui ne figurent pas dans le tableau ci-dessous, merci de contacter notre service d'assistance technique.

CALENDRIER D'ENTRETIEN PROGRAMMÉ

**ATTENTION !**

La procédure, indiquée avec (1), doit être effectuée lorsque la machine est utilisée après 8 heures pour la première fois. La procédure, indiquée avec (2) doit être effectuée par un centre d'entretien agréé par notre société.

Procédure	Quotidien, après chaque utilisation	Chaque semaine	Semestriellement	Chaque année
Chargement des batteries				
Nettoyage de la raclette				
Nettoyage de la brosse/du support de disque				
Nettoyage du réservoir				
Inspection du joint d'étanchéité du réservoir				
Nettoyage du boîtier de collecte des débris				
Nettoyage de la brosse/du disque				
Bavette anti-projection				
Vérification et remplacement des lames de raclette				
Nettoyage du filtre de solution				
Nettoyage du filtre d'aspiration				
Vérification du niveau de liquide de la batterie À LIQUIDE				
Inspection du serrage des vis et écrous			(1)	
Ajouter de l'huile de graissage aux pièces rotatives (comme l'huile de frein)			(1)	
Vérification ou remplacement des balais en carbone du moteur de brosse				(2)
Vérification ou remplacement des balais en carbone du moteur d'aspiration				(2)
Vérification ou remplacement des balais en carbone du moteur d'entraînement				(2)

UVOD**OPREZ!**

Ovaj priručnik ne sadrži neke opće i detaljne informacije o stroju.

Proučite PRIRUČNIK ZA BRZI POČETAK RADA na isporučenom CD-ROM-u i čitajte ga u programu Adobe® Reader®.

**NAPOMENA**

Brojevi u zagradama odnose se na komponente, prikazane u poglavlju Opis stroja.

SVRHA I SADRŽAJ PRIRUČNIKA

Svrha ovih uputa za uporabu je pružiti rukovatelju sve osnovne informacije o tehničkim karakteristikama, načinu rada, nekorištenju stroja, rezervnim dijelovima i sigurnosnim uvjetima, itd.

Prije izvođenja bilo kakvih postupaka strojem rukovatelji i kvalificirani tehničari moraju pročitati priručnik s Uputama za uporabu. Obratite se našem poduzeću u slučaju dvojbi koje se tiču tumačenja uputa ili za bilo kakve dodatne informacije.

KAKO ČUVATI OVE UPUTE ZA UPORABU

Upute za uporabu moraju se čuvati u blizini stroja, unutar odgovarajuće kutije, daleko od tekućina i drugih tvari koje bi ih mogle oštetiti.

IZJAVA O SUKLADNOSTI

Izjava o sukladnosti isporučuje se sa strojem i potvrđuje sukladnost stroja sa zakonima koji su na snazi.

**NAPOMENA**

Kopije originalne Izjave o sukladnosti isporučuju se zajedno s dokumentacijom o stroju.

PRIBOR I ODRŽAVANJE

Sve potrebne postupke, održavanje i popravak mora obaviti kvalificirano osoblje, servisni centar kojeg imenuje naše poduzeće. Smiju se koristiti SAMO originalni ili odobreni rezervni dijelovi i pribor.

Obratite se korisničkoj službi našeg poduzeća za sve servisne usluge ili kupnju pribora ili rezervnih dijelova, po potrebi.

IZMJENE I POBOLJŠANJA

Predani smo stalnom poboljšanju naših proizvoda. Poduzeće pridržava pravo na izmjene i poboljšanja stroja bez dodatnih informacija.

SVRHA UPORABE

Ovaj perlač upotrebljava se u komercijalne i industrijske svrhe. Pogodan je za čišćenje glatkih i tvrdih podova ako njime rukuje kvalificirana osoba u sigurnim okolnostima. Nije prikladan za uporabu na otvorenom ili na tepisima ili za čišćenje hrapavih podova.

IDENTIFIKACIJSKI PODACI O STROJU

Serijski broj stroja i naziv modela navedeni su na naljepnici serije.

Ova informacija je korisna. Koristite sljedeću tablicu da zapišete identifikacijske podatke o stroju kada tražite rezervne dijelove za stroj.

MODEL STROJA.....
SERIJSKI BROJ STROJA.....

TRANSPORT I SKIDANJE AMBALAŽE

Kada prijevoznik dostavi stroj, uvjerite se da su i ambalaža i stroj čitavi i neoštećeni. Ako primijetite bilo kakvo oštećenje, obavijestite prijevoznika o šteti prije preuzimanja robe kako biste zadržali pravo na naknadu štete.

Strogo se pridržavajte uputa na ambalaži kada stroj vadite iz ambalaže.

Provjerite ambalažu kako biste se uvjerali da su u isporuku uključeni:

1. Tehnička dokumentacija - Upute za uporabu.
2. Komponente za spajanje akumulatora.
3. Priručnik za elektronski punjač akumulatora (ako je instaliran) (*)

SIGURNOST

Sljedeći simboli ukazuju na potencijalno opasne situacije. Uvijek pažljivo pročitajte ove informacije i poduzmite sve mjere predostrožnosti radi zaštite ljudi i imovine.

VIDLJIVI SIMBOLI NA STROJU**UPOZORENJE!**

Pažljivo pročitajte sve upute prije izvođenja bilo kakvih postupaka strojem.

**UPOZORENJE!**

Ne perite stroj direktnim mlazom vode ili mlazom vode pod tlakom.

**UPOZORENJE!**

Nemojte koristiti stroj za rad na nizbrdicama s nagibom koji je veći od navedenog u odjeljku sa specifikacijama.

SIMBOLI KOJI SE POJAVLJUJU NA UPUTAMA ZA UPORABU**OPASNOST!**

Ukazuje na opasnu situaciju s rizikom od smrti po rukovatelja.

**UPOZORENJE!**

Ukazuje na potencijalni rizik od ozljeda za ljude.

**OPREZ!**

Ukazuje na potreban oprez ili napomenu u vezi važnih ili korisnih funkcija. Obratite pozornost na odlomke, označene ovim simbolom.

**NAPOMENA**

Ukazuje na napomenu u vezi važnih ili korisnih funkcija.

**KONZULTIRANJE**

Ukazuje na nužnost konzultiranja priručnika s Uputama za uporabu prije obavljanja bilo kakvog postupka.

OPĆE SIGURNOSNE UPUTE

Specifična upozorenja i mjere opreza kojima se informira o potencijalnim rizicima za ljude i stroj prikazani su u nastavku.

**OPASNOST!**

- Ovim strojem mora rukovati obučeno i ovlašteno osoblje u skladu sa smjernicama iz priručnika.
- Prije izvođenja bilo kakvih radova čišćenja, održavanja, popravaka ili zamjene pažljivo pročitajte sve upute, pobrinite se da stroj bude OFF /ISKLJUČEN/ i odvojite priključak akumulatora.
- Nemojte rukovati mašinom u blizini otrovne, opasne, zapaljive i/ili eksplozivne prašine, tekućina ili pare. Ovaj stroj nije prikladan za prikupljanje opasnih prahova.
- Ne nosite nakit dok radite u blizini električnih komponenti.
- Ne radite ispod podignutog stroja ako ga ne pridržavaju sigurnosni držači.
- Kada koristite olovne (WET) akumulator, oni mogu ispustiti zapaljivi plin za vrijeme normalne uporabe, morate postupiti tako da iskre, plamen, materijal koji se puši i koji zrači, kao i predmeti koji daju svjetlost ili koji gore budu podalje od akumulatora.
- Kada puniti olovne (MOKRE) akumulator, oni mogu ispuštati plinoviti vodik koji može izazvati eksploziju. Morate se uvjeriti da se ambijent u kojoj se akumulator puni ventilira i da u njemu nema plamena.

**UPOZORENJE!**

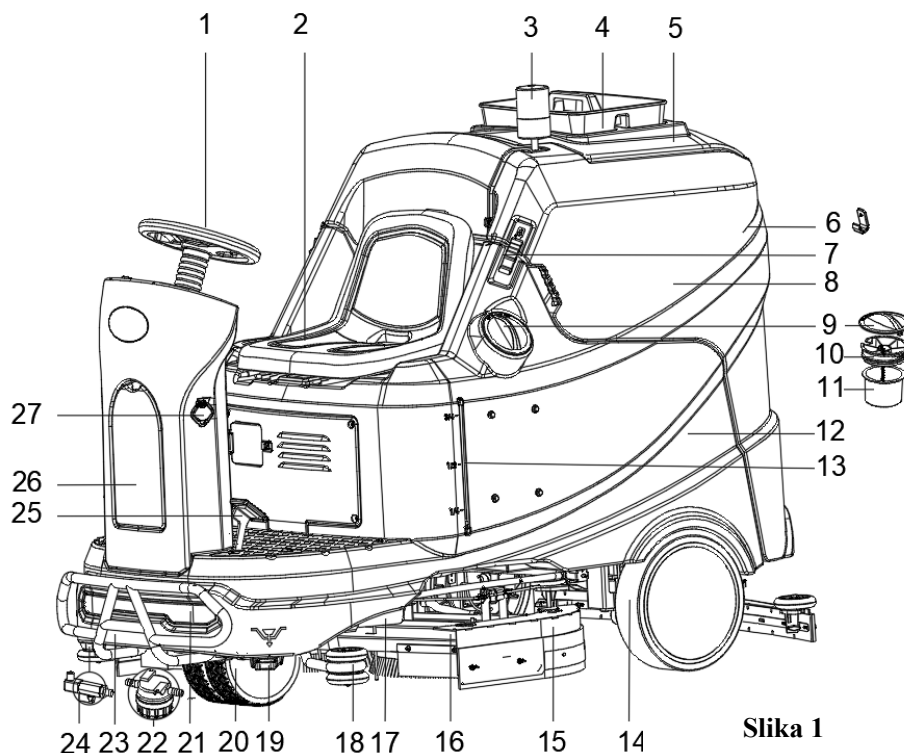
- Ovaj je stroj predviđen za KOMERCIJALNU UPORABU, npr. u hotelima, školama, bolnicama, tvornicama, trgovinama, uredima i na području poslova iznajmljivanja.
- Strojevi bez nadzora moraju se osigurati od nehotičnog pokretanja.
- Kako bi se spriječilo neovlašteno korištenje stroja, izvor snage mora se isključiti ili zaključati, npr. uklanjanjem ključa glavne sklopke ili ključa za paljenje.
- Pažljivo pregledajte stroj prije svake uporabe. Provjerite jesu li sve komponente dobro montirane prije uporabe. Labave komponente mogu prouzročiti ozljede i materijalnu štetu.
- Nikada ne pomičite stroj povlačeći ga za kabel za punjenje akumulatora. Ne provlačite kabel kroz zatvorena vrata niti ga omotavajte oko oštih bridova ili uglova. Ne prelazite strojem preko kabla punjača akumulatora. Kabel punjača akumulatora držite podalje od zagrijanih površina.
- Ne puniti akumulator ako su kabel punjača akumulatora ili utikač oštećeni.
- Kako biste smanjili rizik od požara, strujnog udara ili ozljede, uvjerite se da je stroj isključen prije nego se udaljite.
- Koristite ili skladištite stroj unutra, na suhom mjestu, nije dopušteno koristiti ga na otvorenom.
- Temperatura skladištenja i radna temperatura stroja mora biti između 0 °C i +40 °C, vlažnost zraka mora biti između 30 % - 95 %.
- Ne koristite stroj na kosinama čiji je nagib veći od nagiba, prikazanog u specifikacijama stroja.
- Kada koristite i rukujete deterdžentima za čišćenje podova, slijedite upute s naljepnica na bočicama s deterdžentom i nosite odgovarajuće rukavice te ostalu zaštitnu opremu.
- Koristite četke i diskove, isporučene sa strojem ili definirane u priručniku. Korištenje drugih četki ili diskova može smanjiti sigurnost.
- U slučaju smetnji u radu stroja, provjerite nije li njihov uzrok nedostatno održavanje. Ako je potrebno, obratite se za pomoć ovlaštenom osoblju ili ovlaštenom servisnom centru.
- Poduzmite sve potrebne mjere predostrožnosti kako pokretni dijelovi stroja ne bi zahvatili kosu, nakit i labavu odjeću.
- Ne koristite stroj u jako prašnjavoj okolini.

- Ne perite stroj direktnim mlazom vode ili mlazom vode pod tlakom ili korozivnim tvarima.
- Ne sudarajte se s policama ili skelama, naročito tamo gdje postoji opasnost od pada predmeta.
- Ne naslanjajte spremnike s tekućinom na stroj, koristite odgovarajući držače bočica.
- Kako biste izbjegli oštećenja poda, pobrinite se da četka/disk ne rade dok je stroj u mirovanju.
- U slučaju požara koristite vatrogasni aparat sa suhim prahom. Ne koristite vatrogasne aparate s tekućinom.
- Nemojte skidati ili mijenjati naljepnice na stroju.
- Ne manipulirajte sigurnosnim zaštitama stroja i strogo se pridržavajte plana i uputa za održavanje.
- Budite pažljivi tijekom transporta stroja kada je temperatura ispod točke smrzavanja. Voda u spremniku prljave vode i u crijevima mogla bi se smrznuti i prouzročiti ozbiljno oštećenje stroja.
- Ako je potrebno zamijeniti rezervne dijelove, naručite ORIGINALNE rezervne dijelove od ovlaštenih distributera ili trgovaca na malo.
- Vratite stroj u servisni centar ako ne radi kao i obično ili ako je oštećen.
- Kako bi se zajamčio pravilan i siguran rad stroja, ovlašteno osoblje ili ovlašteni distributeri ili trgovci na malo moraju obaviti planirano održavanje, navedeno u odgovarajućem poglavlju ovog priručnika.
- Stroj treba zbrinuti u skladu s propisima zbog prisutnosti otrovnih-štetnih materijala (akumulatori, itd.). Njihovo zbrinjavanje podliježe standardima koji propisuju odnošenje u posebne centre (vidi poglavlje Zbrinjavanje).
- Ovaj stroj je namijenjen za čišćenje i ne može se koristiti niti u bilo koju drugu svrhu.
- Otvori uvijek moraju biti čisti odn. bez prašine, kose ili drugih stranih materijala koji bi mogli smanjiti protok zraka. Ne koristite stroj ako su otvori začepljeni.
- Koristite stroj samo na mjestima s dobrom rasvjetom.
- Nije predviđeno da ovaj stroj koriste osobe (uključujući djecu) sa smanjenim tjelesnim, senzornim ili mentalnim sposobnostima, ili s nedostatnim iskustvom i znanjem.
- Budite naročito pažljivi ako se stroj koristi u blizini djece.
- Djeca moraju biti pod nadzorom kako bi se zajamčilo da se neće igrati strojem.
- Dok koristite ovaj stroj, pazite da ne ozlijedite ljude i ne oštetite predmete.
- Djeca bez nadzora ne smiju čistiti stroj niti vršiti korisničko održavanje.
- Rukovatelji moraju biti prikladno upućeni u korištenje ovih strojeva.
- Nemojte koristiti stroj bez konstrukcije za zaštitu od pada predmeta (FOPS) u prostorijama gdje rukovatelja lako može pogoditi neki predmet koji može pasti.

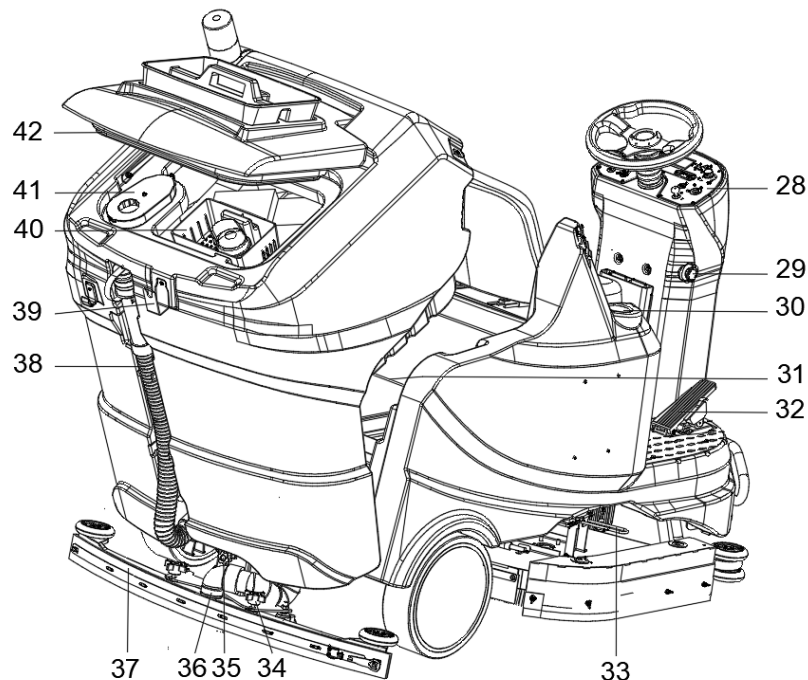
OPIS STROJA

GRADA STROJA* - opcija

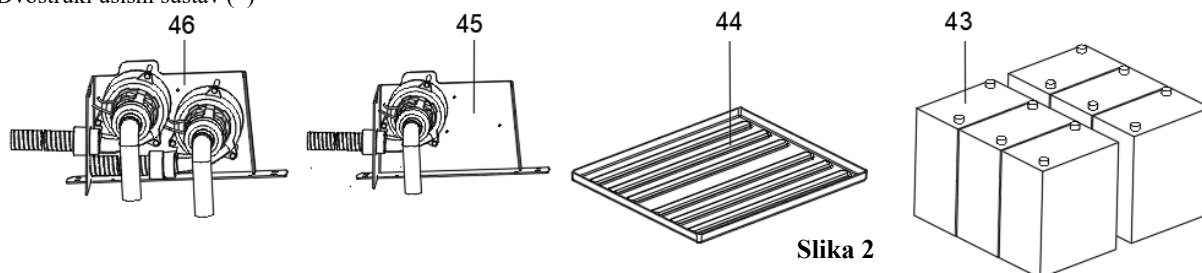
1. Upravljač
2. Sjedalo, podesivo (sa sigurnosnim prekidačem)
3. Signalno svjetlo
4. Pomoćni nosač predmeta (*)
5. Poklopac spremnika prljave vode
6. Kuka
7. Zasun (x2)
8. Spremnik prljave vode
9. Poklopac filtra
10. Nosač crijeva s filtrom
11. Nosač filtra
12. Spremnik otopine
13. Crijevo razine vode
14. Pogonski kotači (sa mehaničkom kočnicom)
15. Bočni štitnici od prskanja
16. Sklop četke
17. Pumpa
18. Pokretni kotači
19. Ppoklopac za pražnjenje spremnika otopine za pranje poda
20. Prednji kotači
21. Prednja svjetla
22. Filtar otopine za pranje poda
23. Prednji branik
24. Zaporni ventil otopine za pranje poda
25. Papučica mehaničke kočnice
26. Poklopac unutarnjeg prostora za odlaganje
27. USB priključak za punjenje
28. Upravljačka ploča
29. Gumb za zaustavljanje u nuždi
30. Držać čaše
31. Nosivi kabel spremnika prljave vode
32. Papučica gasa
33. Zaustavljanje instaliranja upravljačkog programa četke/filca
34. Ručice brisača
35. Ručica za podešavanje kuta brisača
36. Usisno crijevo brisača
37. Brisač
38. Crijevo za ispuštanje prikupljene vode
39. Kuka brisača
40. Kutija za prikupljanje otpada
41. Usisni filtar usisnog sustava
42. Brtva poklopca spremnika
43. Akumulatori (nije primjenjivo)
44. Podložak za akumulator (*)
45. Sustav usisavanja
46. Dvostruki usisni sustav (*)



Slika 1

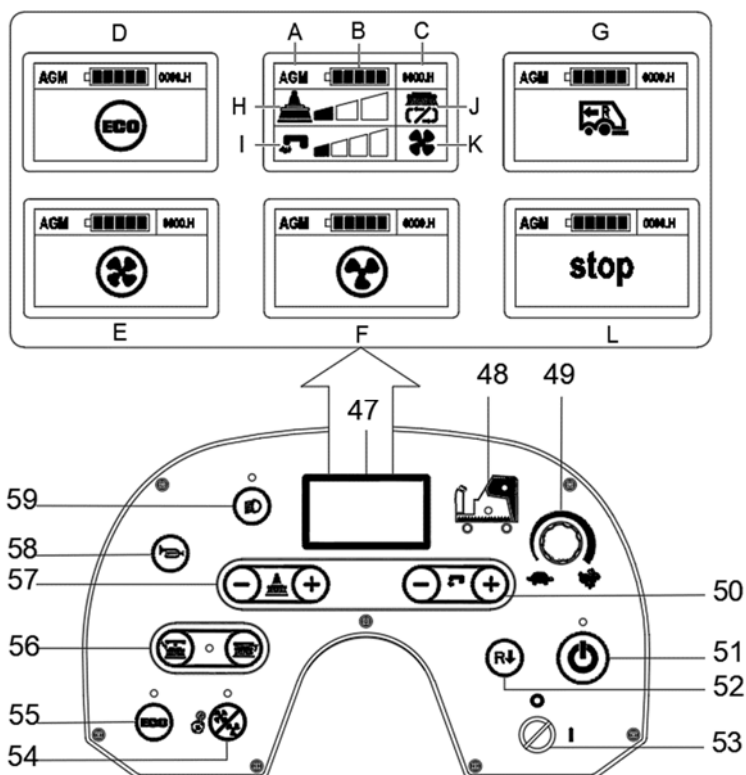


Slika 2

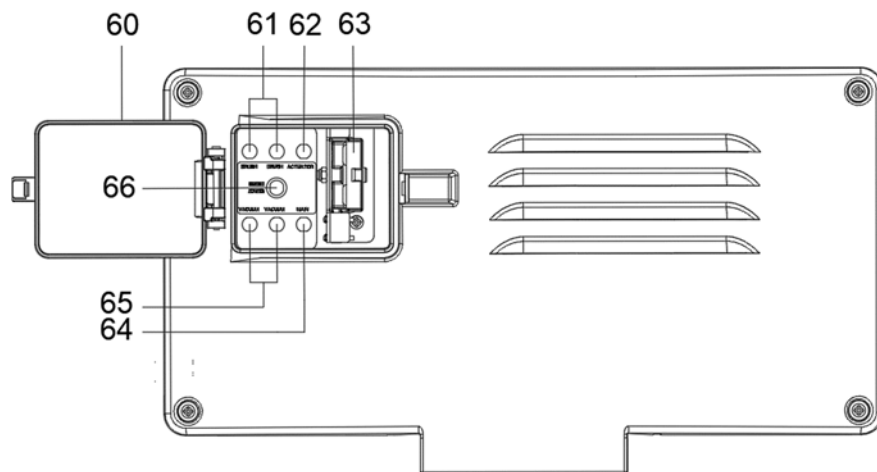


UPRAVLJAČKA PLOČA (kako je prikazano)

47. Višenamjenski zaslon
Prikazani elementi:
A) Vrsta akumulatora
B) Razina napunjenosti akumulatora
C) Broj sati u radu
D) ECO način rada
E) Normalno usisavanje
F) Tiho usisavanje
G) Vožnja unatrag
H) Aktivan dodatni pritisak
I) Količina protoka otopine za pranje poda
J) Način rada četke
K) Način rada usisavanja
L) Sigurnosni prekidač sjedala isključen
48. Spremnik prljave vode pun/ otopina za pranje
Indikator praznog spremnika
49. Ručica za podešavanje brzine
50. Tipke za podešavanje protoka otopine za pranje poda
51. Tipka za uključivanje
·LED svjetlo na gornjoj tipki-funkcija aktivirana
·sustav vode (razina 2)
·minimalno pritiskanje (razina 1)
·usisni sustav normalan
52. Tipka za kretanje naprijed-natrag
53. Ključ za paljenje (0=ON I=OFF)
54. Tipka za podešavanje usisnog sustava
(za aktiviranje istog pritisnite tipku na 1 sekundu)
·LED svjetlo fiksno upaljeno -normalni način rada
·LED svjetlo treperi - tihi način rada
55. Gumb ECO načina rada
·LED svjetlo na gornjoj tipki-funkcija aktivirana
·protok vode na minimumu (razina 1)
·minimalno pritiskanje (razina 1)
·Usisni sustav u tihom načinu rada
56. Tipka za uključivanje/islučivanje četke/držača filca
·LED svjetlo treperi- tipka aktivirana
57. Tipke za podešavanje pritiskanja četki
58. Tipka sirene
59. Tipka prednjeg svjetla
60. Poklopac utikača za punjač
61. Zaštita od preopterećenje motora četke (30A)
62. Zaštita od preopterećenja dizala četke (3A)
63. Utikač za punjač
64. Zaštita od preopterećenja glavnog upravljačkog kruga (5A)
65. Zaštita od preopterećenja motora usisnog sustava (30A)
66. Zaštita od preopterećenja dizala brisača (3A)



Slika 3



Slika 4

TEHNIČKI PARAMETRI

Vrsta parametra	AS1050R
Napon	36 V
Nominalna snaga (ULAZ)	125A/4500W
Razred zaštite IP	IP24
Kapacitet spremnika otopine	200L/53 Gal.
Kapacitet spremnika za prikupljanje vode	200L/53 Gal.
Širina čišćenja	980mm / 35,58 inča
Promjer četke/diska	508 mm x 2 /20 Inča x 2
Pritisak četke/diska (maks.)	90 Kg /198 Lbs.
Snaga motora četke (ULAZ)	2 X 1000 Watt / 2 X 1.3 HP
Brzina četke u normalnom načinu rada	240 okr./min
Brzina četke u ECO načinu rada	175 okr./min
Protok otopine (maks.) prema postavci/minuti	(1.6/2.3/3.3/4.6) Litri / 0.42/0.61/0.87/1.22Gal
Razina zvučnog tlaka (jedan vakuumski motor)	72 ± 3 dB (A)
Razina zvučnog tlaka (dva vakuumska motora) (*)	75 ± 3 dB (A)
Razina zvučnog pritiska u ECO ili tihom načinu rada	69 ± 3 dB (A)
Snaga usisnog motora	600 W / 0,8 HP
USB punjenje	5V 2.4A MAKŠ.
Učinkovitost (maks.)	7840 m ² /h/84389 ft ² /h
Radna brzina	0 – 8 Km / 0 – 5 Milja na sat
Brzina kretanja unaprijed	0 – 8 Km / 0 – 5 Milja na sat
Brzina kretanja unatrag	0 – 5 Km / 0 – 3.1 Milja na sat
Snaga pogonskog motora (ULAZ)	1600 W / 2,1 HP
Min. okretanje oko prolaza	2650mm/104 inča
Kapacitet na usponu pri (maks.) transportu	20%
(Maks.) kapacitet uspona pri radu	16%
Promjer pogonskog kotača	340mm / 13,4 inča
Specifični pritisak pogonskog kotača na pod	0,68 N/mm ²
Promjer prednjeg kotača	250 mm / 10 inča
Specifični pritisak prednjeg kotača na pod	0,62 N/mm ²
Razina vibracija ručice (maks.)	< 2,5 m/s ²
Dimenzije odjeljka za akumulator bez podloška (D x Š x V)	(680x560x450) mm / 26.7 x 22 x 17.7 Inča
Dimenzije odjeljka za akumulator s podloškom (D x Š x V) (*)	(665x550x430) mm / 26.1 x 21.6 x 16.9 Inča
Dužina stroja bez prednjeg branika	1875mm/73,8 inča
Širina stroja bez brisača	1077mm/42,4 inča
Visina stroja	1350 mm / 53 inča
Visina stroja(S nadzemnim štitnikom)	1955 mm / 77 inča
Težina stroja s praznim spremnicima (bez akumulatora)	398 Kg / 853,6 Lbs.
Ukupna težina vozila (GVW)	870 Kg / 1914 Lbs.
Ukupna težina vozila (GVW) (S nadzemnim štitnikom)	897 Kg / 1973 Lbs.
Transportna težina	490 Kg / 1078 Lbs.
Dimenzije ambalaže (d x š x v)	(2110 x 1220 x 1535 mm) / (83x 48 x 60.4 Inča)

(*) : opcija

PRIRUČNIK ZA RAD

**UPOZORENJE!**

Na nekim mjestima na stroju nalaze se samoljepljive pločice koje ukazuju na:

- OPASNOST!
- UPOZORENJE!
- PAŽNJA!
- KONZULTIRANJE

Za vrijeme čitanja ovog priručnika, operater mora obratiti pažnju na simbole prikazane na pločici. Ne prekrivajte ove pločice zbog bilo kojeg razloga i odmah ih zamijenite ako se oštete.

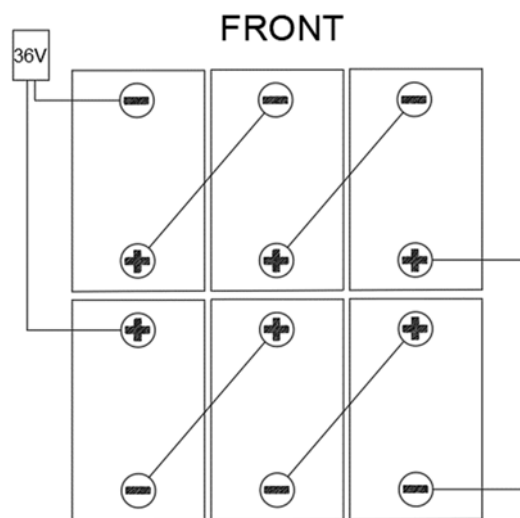
PROVJERA AKUMULATORA/POSTAVLJANJE NA NOVI STROJ

**UPOZORENJE!**

Može doći do ozbiljnih oštećenja električnih komponenti stroja ako su akumulatori nepravilno instalirani ili spojeni. Akumulatore smije instalirati samo kvalificirano osoblje. Postavite tip akumulatora prema donjem postupku ovisno o tipu korištenih akumulatora (WET ili GEL/AGM/DIS/ENE akumulatori). Prije instaliranja akumulatora provjerite jesu li oštećeni. Odvojite priključak akumulatora i utikač za punjenje akumulatora. Budite vrlo pažljivi dok rukujete akumulatorima. Postavite kapice za zaštitu stezaljki akumulatora koje ste dobili sa strojem.

**NAPOMENA**

Stroj zahtijeva šest akumulatora od 6 V, spojenih i ugrađenih u položaje prikazane na slici 5.



Slika 5

Akumulatori koji su već instalirani u stroj

1. Uvjerite se da je konektor akumulatora spojen.
2. Pri prvom korištenju stroja s novim akumulatorima obavite potpuni ciklus punjenja (vidi opis postupka u poglavlju Održavanje).

Bez akumulatora

1. Kupite odgovarajuće akumulatore (vidi odlomak "Tehnički podaci"). Za odabir akumulatora i njegovo instaliranje obratite se kvalificiranom prodavatelju akumulatora.
2. Podesite vrstu akumulatora prema donjem postupku.

INSTALIRANJE AKUMULATORA I POSTAVKA TIPA AKUMULATORA (WET /GEL/ AGM/ DIS/ ENE)**Instaliranje akumulatora**

1. Otvorite lijeve i desne zasune (7, Slika 1).
2. Otvorite poklopac spremnika prljave vode (5, Slika 1) i provjerite je li spremnik prljave vode (8, Slika 1) prazan; ako nije prazan, ispraznite ga pomoću odvodnog crijeva (38, Slika 2).
3. Zatvorite poklopac spremnika za prikupljanje vode (5, Slika 1)
4. Pažljivo podignite spremnik prljave vode (8, Slika 1).
5. Iskopčajte kabel spremnika prljave vode i uklonite cijeli sklop spremnika prljave vode.
6. Skinite jedan vijak okretnog kabla spremnika prljave vode (31, Slika 2) i skinite spremnik.
7. Skinite četiri vijka sa dna spremnika prljave vode.

Stroj je isporučen s kabelima koji su prikladni za instaliranje šest akumulatora od 6V. Pažljivo stavite akumulator u kućište, zatim ih ispravno instalirajte, kako je prikazano na Slici 5. Postavite ispravno fiksni poklopac akumulatora.

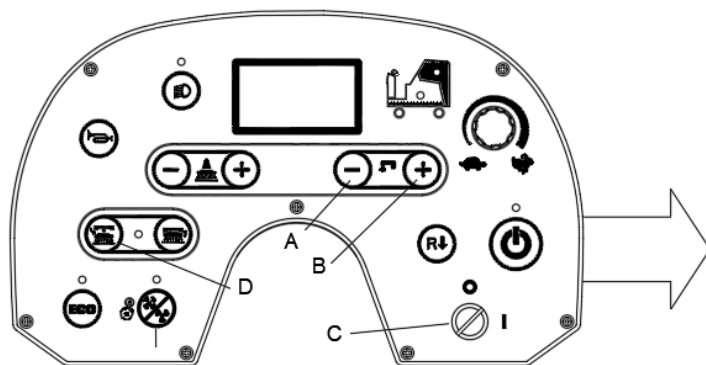
8. Okrećite i instalirajte kabel akumulatora kako je prikazano na slici 5, zatim pažljivo zategnite maticu na svim terminalima akumulatora.

9. Stavite zaštitnu kapicu na svaki terminal, pa spojite konektor akumulatora na stroj.
10. Namontirajte čitav spremnik prljave vode u redosljed u suprotnom od redosljeda u kojem ste ga rastavili.
11. Pažljivo spustite spremnik prljave vode.

Postavka vrste akumulatora (WET/GEL/AGM/DIS/ENE)

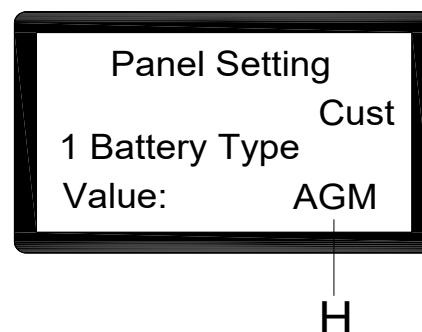
Pristup za odabir načina rada akumulatora

Prema tipu akumulatora (WET/GEL/AGM/DIS/ENE), postavite stroj kako slijedi:



Slika 6

Access to select battery mode



H

1. Istodobno pritisnite tipku za protok vode "-" (A, Slika 6) i "+" (B, Slika 6).
2. Ubacite ključ za paljenje (C, Slika 6) i okrenite ga na "I".
3. Nakon nekoliko sekundi pristupite zaslonu za selekciju načina rada akumulatora (Slika 6).
4. Pritisnite tipku protoka vode "-" (A, Slika 6) i "+" (B, Slika 6) za odabir načina rada akumulatora (H, Slika 6).
5. Pritisnite tipku za otpuštanje (D, Slika 6), Poslije 3 sekunde prikazuje se " Update OK" što znači da su postavke izvršene, ponovo pokrenite stroj. (C, Slika 6).

Punjenje akumulatora

Napunite akumulatore do kraja (za opis postupka vidi poglavlje Održavanje).

Pražnjenje akumulatora

Kada je indikator akumulatora pun (G, Slika 7), akumulator je potpuno napunjen. Kada indikator pokazuje da je akumulator prazan (H, Slika 7), akumulatori se moraju napuniti. Nekoliko sekundi nakon što se pojavi indikator praznog akumulatora, motori četki se automatski gase dok pogonski sustav ostaje uključen. Odmah odvezite stroj do mjesta predviđenog za punjenje.



Slika 7

INSTALIRANJE I SKIDANJE DRŽAČA ČETKE/FILCA



NAPOMENA

Instalirajte držač četke (A, slika 8) ili držač filca (B i C, Slika 8) ovisno o vrsti poda kojeg čistite.



OPREZ!

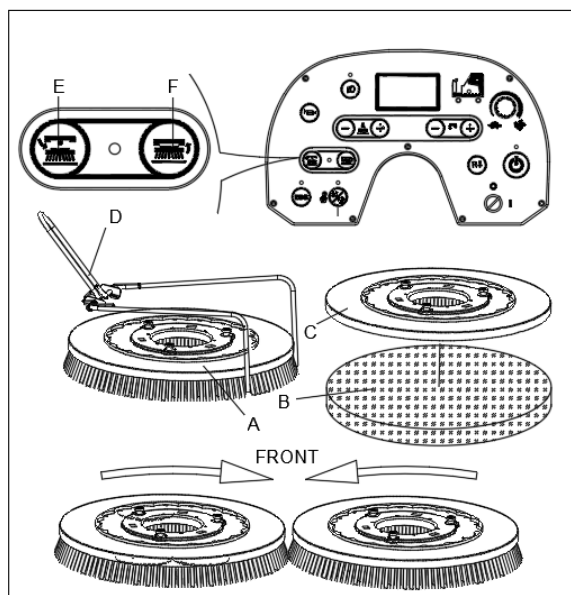
Prije instaliranja ili uklanjanja držača četke ili filca, pobrinite se da sve sklopke na stroju budu u položaju isklj. i da je brisač odignut od poda. Rukovatelj mora nositi odgovarajuću osobnu zaštitnu opremu, kao što su rukavice, kako bi se smanjio rizik od nesreća.

Postupite kako slijedi:**INSTALIRANJE:**

1. Ubacite ključ za paljenje (53, Slika 3) i okrenite ga na "I". Podignite ploču.
2. Postavite četke (A, Slika 8) ili držač filca (B, Slika 8) ispod noseće ploče. Upotrijebite prekidač za instalaciju četke (D, Slika 8) kako biste pronašli odgovarajući položaj držača četke/filca.
3. Instalirajte četku/držač filca pritiskom na tipku za četku/držač filca (F, Slika 8), četka/držač filca će se automatski instalirati. Prikazan je smjer rotacije (Slika 8). Treperit će signalno LED svjetlo.

UKLANJANJE:

1. Ubacite ključ za paljenje (53, Slika 3) i okrenite ga na "I". Uvjerite se jesu li četka/držač filca u podignutom (UP) položaju. Skinite četku/držač filca pritiskom na tipku za otpuštanje četke/držača filca (E, Slika 8), četka/držač filca će se automatski otpustiti. Signalno LED svjetlo će biti fiksno upaljeno.



Slika 8

Ako pritisnete gumb za isključivanje četke i pritisnete gumb za uključivanje, morate isključiti ključ za paljenje i zatim ga uključiti, stroj može ponovno raditi.

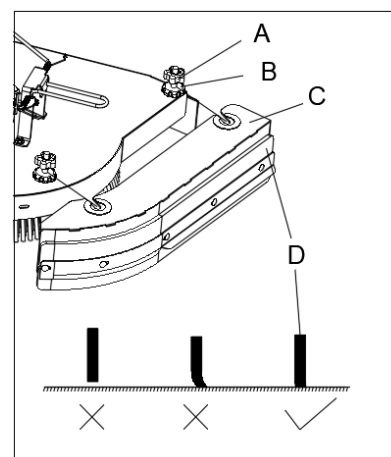
PODEŠAVANJE RAVNOTEŽE BOČNIH ŠTITNIKA OD PRSKANJA

Visinu štitnika od prskanja treba pratiti i podesiti. Tijekom čišćenja strojem, provjerite učinak bočnih štitnika od prskanja.

- A. Ako su štitnici od prskanja previsoko, uslijed razmaka između štitnika od prskanja (D) i poda ostat će vode na podu za vrijeme skretanja.
- B. Ako su štitnici od prskanja preniski, štitnik od prskanja (D) će se preusmjeriti previše daleko i ostavit će vodu za vrijeme skretanja; tako će se skratiti vijek trajanja štitnika od prskanja.
- C. Štitnici od prskanja su pravilno podešeni kada lagano dodiruju pod s prednje do stražnje strane štitnika od prskanja.

Postupak podešavanja:

1. Uvjerite se da je noseća ploča podignuta.
2. Otpustite gornje matice za zadržavanje (A) i skinite sklop štitnika od prskanja.
3. Podesite donje matice za zadržavanje (B) gore/dolje.
4. Ponovno instalirajte sklop štitnika od prskanja i provjerite kako su oni podešeni.
5. Ponovite 3. & 4. prema potrebi dok ispravno ne podesite štitnik od prskanja.
6. Zategnite gornje matice za zadržavanje (A) kako bi štitnici ostali u položaju u kojem ste ih podesili.
7. Ponovite postupak na drugom štitniku od prskanja.

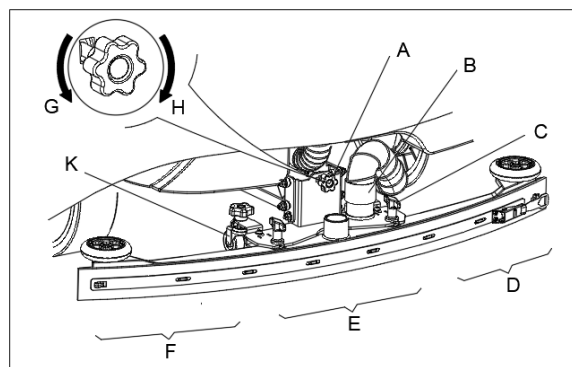


Slika 9

NAMJEŠTANJE RAVNOTEŽE BRISAČA

1. Namontirajte brisač i zategnite matice (C, Slika 10), zatim spojite usisno crijevo (B) na brisač.
2. Podesite brisač pomoću ručice za podešavanje brisača (A).
 - a) Ako postoji razmak između tla i srednjeg dijela gume stražnjeg brisača (E), okrećite ručicu (A) u smjeru kazaljke na satu (H) sve dok svi dijelovi gume stražnjeg brisača ne dođu u dodir sa podom, a prednja guma ne počne dodirivati pod lagano.
 - b) Ako postoji razmak između poda i i oba kranja dijela stražnje gume (D i F), okrećite ručicu (A) u smjeru suprotno od kazaljke na satu (G) sve dok svi dijelovi gume stražnjeg brisača ne budu u dodiru s podom, a prednja guma ne dodiruje pod lagano.

Ako je potrebno, podesite cijelu visinu brisača podešavanjem visine kotačića (K).



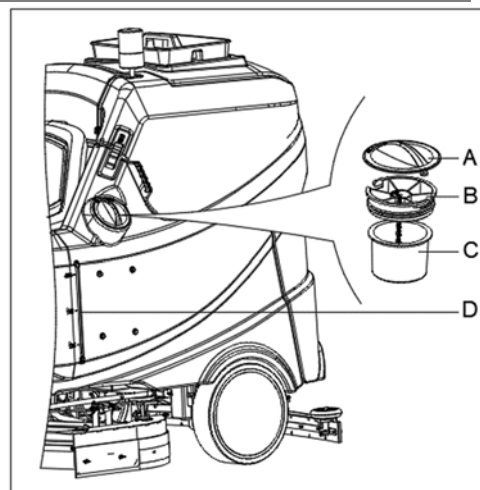
Slika 10

PUNJENJE SPREMNIKA OTOPINE

1. Otvorite poklopac ulaza za vodu (A, Slika 11).
2. Ulijte vodu ili otopinu prikladnu za radne performanse kroz ulaz za vodu s filtrom.
Temperatura otopine ne smije biti viša od +104 F (+40 °C).
3. Nemojte prepunjavati spremnik, pogledajte indikator razine vode (D) da biste vidjeli volumen vode.

**UPOZORENJE!**

Koristite samo deterdžente koji se slabo pjene i koji su nezapaljivi te predviđeni za primjenu u automatskim peraćima.



Slika 11

PREGLED POGONSKOG MOTORA I MEHANIČKE KOČNICE

1. Okrenite ključ za paljenje (A Slika 12) na "I", sjednite na sjedalo (C).
2. Lagano pritisnite papučicu gasa (D), a zatim je otpustite kako biste provjerili može li se strojem upravljati naprijed i može li se on zaustaviti.
3. Da biste radili u sigurnosnim uvjetima, potvrdite da se stroj može odmah zaustaviti pritiskom na gumb za zaustavljanje u nuždi (B). Okrenite gumb za zaustavljanje u nuždi kako biste ga resetirali.
4. Pritisnite brzo papučicu mehaničke kočnice (F) da provjerite može li se stroj odmah zaustaviti.

**UPOZORENJE!**

Radni kapacitet na usponima ne smije premašiti 16%. Kada radite na kosom terenu, zasuni (7 Slika 1) na spremniku moraju biti zakačeni. Iz sigurnosnih razloga, nikada ga ne zaustavljajte na nizbrdici.

Prilikom penjanja uz nagib od maksimalno 20% unaprijed podesite potencijometar ograničenja brzine na položaj maksimalne brzine. Pritisnite papučicu gasa do maksimuma dok se penjete uz nagib.

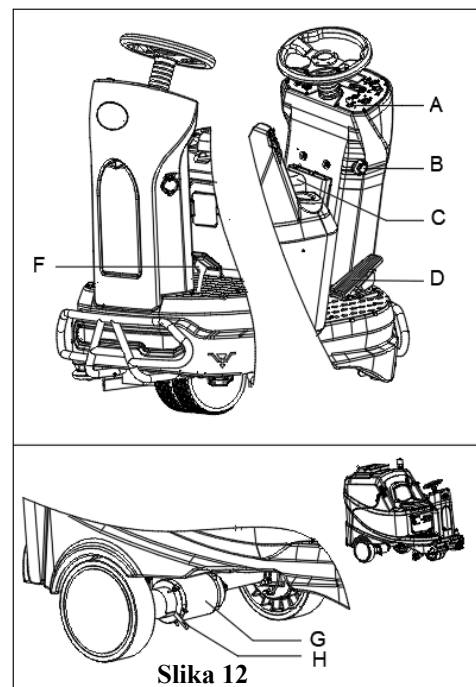
Ako ribate na površini s maksimalnim nagibom od 16%, unaprijed podesite potencijometar ograničenja brzine na položaj maksimalne brzine. Ako se na zaslonu prikaže „Error 4, Tra Overload“, podesite pritisak četke na najnižu postavku.

Ako utvrdite da se brzina stroja smanjuje i približava se stanju zaustavljanja za vrijeme penjanja uzbrdo, a na zaslonu se prikaže „Error 4, Tra Overload“, odmah otpustite papučicu gasa i pritisnite mehaničku kočnicu.

Ako se za vrijeme penjanja uzbrdo na zaslonu prikaže „Error 4, Tra Overload“, odmah se zaustavite i zakoračite na mehaničku kočnicu, okrenite prekidač s ključem u položaj za isključenje, a zatim uključite ključ za ponovno pokretanje i odustanite od penjanja. Podesite potencijometar ograničenja brzine u položaj spore brzine, a zatim pritisnite tipku unatrag, otpustite mehaničku kočnicu i lagano pritisnite papučicu gasa kako bi se stroj mogao polako pomicati unatrag dok ne dođete do blažeg nagiba.

**PAŽNJA**

Kočnica pogonskog motora se otpušta kada motor radi normalno, zaključava se kada je motor isključen. U nekim posebnim slučajevima, kao što su pakiranje/raspakiranje stroja, kvar stroja itd., možda će biti potrebno pogurati stroj. Na pogonskom motoru (G Slika 12) pritisnite ručicu kočnice (H Slika 12), kočnica stroja će se otpustiti i stroj se može pomaknuti. Nakon završetka, gurnite ručicu unatrag kako bi stroj mogao raditi.



Slika 12

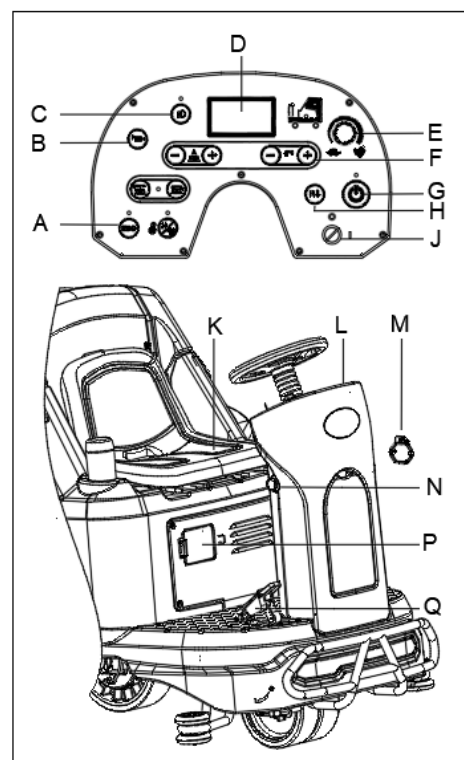
POKRETANJE I ZAUSTAVLJANJE STROJA**Pokretanje stroja**

1. Pripremite stroj kako je objašnjeno u prethodnom odlomku.
2. Sjednite na sjedalo (K, Slika 13), ubacite ključ za paljenje (J, Slika 13) i okrenite ga na "I". Provjerite stanje akumulatora na zaslonu. Ako trebate napuniti akumulator (pogledajte postupak u paragrafu Održavanje).

3. Povežite stroj do radnog područja.
Smjer naprijed/natrag može se kontrolirati preko prekidača (H, Slika 13). Brzinu možete podesiti pomoću uređaja za podešavanje (E, Slika 13).
4. Pritisnite tipku za pokretanje (G, Slika 13) da pokrenete stroj, brisač i četke će se automatski spustiti na pod, a motor usisnog sustava će početi raditi.
5. Pritisnite tipke za kontrolu protoka otopine za pranje poda (F, Slika 13) ako je potrebno, ovisno o tipu čišćenja koje trebate provesti.
6. Pritisnite papučicu gasa (Q, Slika 13) i počnite čišćenje.
7. Možete puniti telefon ili pad putem USB priključka za punjenje (M, Slika 13) kad je ključ za paljenje (J, Slika 13) okrenuta u "I".
8. Pritisnite tipku za sirenu (B, Slika 13) da upozorite osobe kada je to potrebno.
9. Ako je potrebno, pritisnite gumb za hitne slučajeve (N, Slika 13) da zaustavite stroj u nuždi.
10. Ako je potrebno, pritisnite tipku prednjih svjetala (C, Slika 13) za mračne zone ili da upozorite pješake.
11. Ako je potrebno, podesite sjedalo (K, Slika 13) okretanjem ručke udesno na desnoj strani sjedala, zatim pomaknite sjedalo u pravilan položaj.

**NAPOMENA**

Motor četke, motor usisnog sustava, pogonski motor i upravljački krug zaštićeni su zaštitom od preopterećenja (P, Slika 13). Kada se aktivira zaštita od preopterećenja, nemojte je odmah resetirati dok ne otkrijete uzrok i uvjerite se da se motor ohladio prije resetiranja.



Slika 13

Zaustavljanje stroja

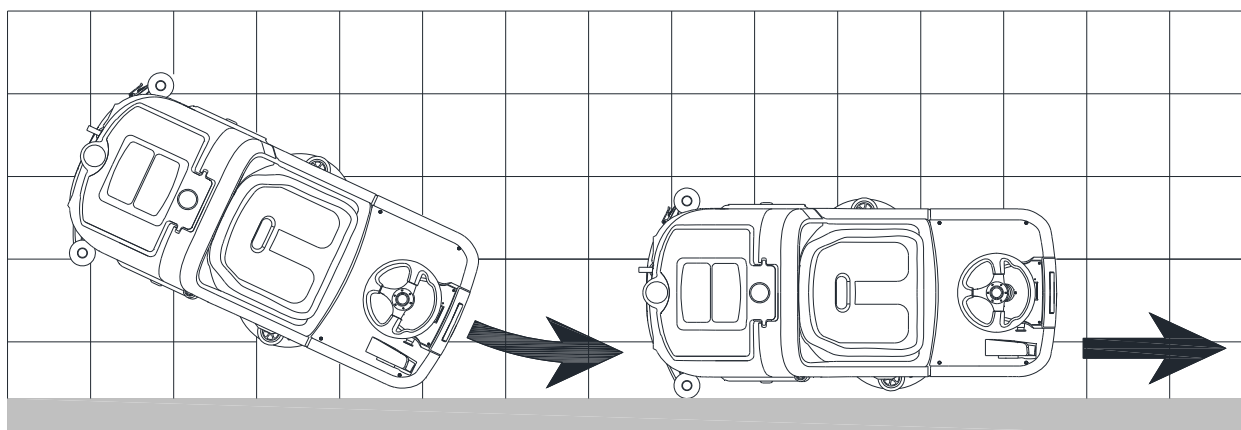
12. Otpustite papučicu gasa (Q, Slika 13), stroj će se prestati kretati.
13. Pritisnite tipku za pokretanje (G, Slika 13) da zaustavite četke i motora usisnog sustava. Četke i brisač se automatski podižu s poda. Usisni sustav će se isključiti nakon nekoliko sekundi.
14. Okrenite ključ za paljenje na "0".
15. Uvjerite se da se stroj ne može samostalno pokrenuti.

RAD STROJEM (ČETKANJE I SUŠENJE)

1. Pokrenite stroj kako je objašnjeno u prethodnim paragrafima.
2. Započnite čišćenje slijedeći postupke u odjeljku "Pokretanje stroja".
3. Ako je potrebno, zaustavite stroj da podesite bočne štitnike od prskanja, kako je navedeno u odjeljku "Podešavanje ravnoteže bočnih štitnika od prskanja".
4. Ako je potrebno, zaustavite stroj da podesite brisač kako je navedeno u odjeljku "Podešavanje ravnoteže brisača".

**NAPOMENA**

Za precizno čišćenje/sušenje podova bočno od zidova. Preporuča se da idete blizu zida desnom stranom stroja (Slika 14) kako je prikazano na slici.



Slika 14

PRAŽNENJE SPREMNIKA

Pražnjenje spremnika za prikupljanje vode

Kada se na višenamjenskom zaslonu (47, Slika 3) prikaže GREŠKA24 i uključi se indikator (48, Slika 3) koji pokazuje da je spremnik prljave vode pun. To znači da je spremnik prljave vode (C, Slika 15) pun, a motor usisnog sustava nije više u stanju sušiti pod. Ispraznite spremnik prljave vode kako slijedi:

1. Zaustavite stroj.
2. Podignite noseću ploču četke/držača filca i brisač pritiskom na tipku za uključivanje (51, Slika 3).
3. Odvezite stroj do mjesta predviđenog za pražnjenje.
4. Ispraznite spremnik prljave vode pomoću crijeva (D, Slika 15). Zatim isperite spremnik (C, Slika 15) čistom vodom.



OPREZ!

Prilikom ispuštanja otpadne vode, držite odvodno crijevo visoko i presavijte gornji dio da se operater ne poprska.

Pražnjenje spremnika otopine/čiste vode

1. Ispraznite spremnik otopine za pranje poda preko izlaznog poklopca (A, Slika 15). Nakon rada isperite spremnik čistom vodom.

NAKON KORIŠTENJA STROJA

Nakon rada, prije nego napustite stroj:

1. Skinite četke/držače filca pritiskom na lijevu tipku za otpuštanje (56, Slika 3) i očistite ih.
2. Ispraznite spremnike (B i C, Slika 15) kako je objašnjeno u prethodnom odlomku.
3. Obavite postupke svakodnevnog održavanja (vidi poglavlje Održavanje).
4. Spremite stroj na čisto i suho mjesto. Držači četki/diska i brisač moraju biti podignuti ili uklonjeni.
5. Uporabite podupirač poklopca spremnika prljave vode da poklopac ostane otvoren. Na ovaj način ćete izbjeći stvaranje neugodnih mirisa unutra.

SKLADIŠTENJE STROJA TIJEKOM DUGOG NEKORIŠTENJA

Ako se stroj neće koristiti dulje od 30 dana, postupite kako slijedi:

1. Obavite postupke objašnjenje u odlomku Nakon korištenja stroja.
2. Iskopčajte konektor akumulatora.

PRVO RAZBOLJE KORIŠTENJA

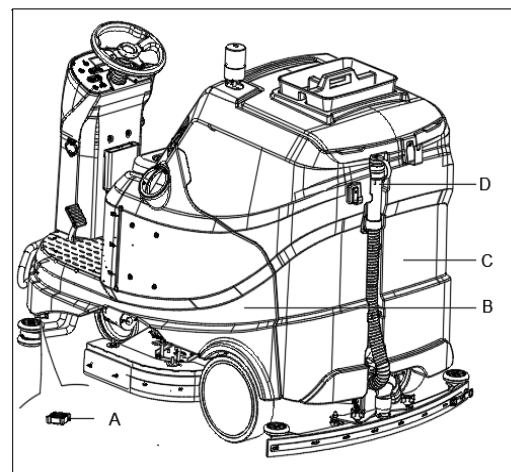
Nakon prvih 8 sati provjerite jesu li pričvršni i spojni dijelovi stroja dobro učvršćeni te ima li na vidljivim dijelovima znakova istrošenosti i propuštanja.

ODRŽAVANJE



UPOZORENJE!

Postupci održavanja moraju se vršiti nakon što isključite stroj i odvojite kabel punjača akumulatora. Nadalje, pažljivo pročitajte poglavlja o sigurnosti u ovom priručniku.



Slika 15

Sve planirane ili izvanredne postupke održavanja mora obavljati kvalificirano osoblje ili ovlaštenu servisnu centar. Ovaj priručnik samo opisuje opće i uobičajene postupke održavanja.

Za ostale postupke održavanja koji nisu navedeni u tablici rasporeda održavanja, obratite se našem Odjelu tehničke podrške.

TABLICA PLANIRANOG ODRŽAVANJA

**OPREZ!**

Postupak označen s (1) mora se obaviti kada se stroj koristi nakon 8 sati rada po prvi puta. Postupak označen s (2) mora obaviti servisni centar kojeg je ovlastilo naše poduzeće.

Postupak	Svakodnevno, nakon svakog korištenja	Jednom tjedno	Jednom u pola godine	Jednom godišnje
Punjenje akumulatora				
Čišćenje brisača				
Čišćenje držača četke/diska				
Čišćenje spremnika				
Pregled brtvene trake spremnika				
Čišćenje kutije za skupljanje krša				
Čišćenje četke/filca				
Čišćenje štitnika od prskanja				
Provjera i zamjena kraka brisača				
Čišćenje filtra otopine				
Čišćenje usisnog filtra				
Provjera razine tekućine u MOKROM akumulatoru				
Inspekcija učvršćenosti vijaka i matica			(1)	
Dodajte ulje za podmazivanje rotirajućih dijelova (poput ulja za kočnice)			(1)	
Provjera ili zamjena grafitne četkice motora četke				(2)
Provjera ili zamjena grafitne četkice usisnog motora				(2)
Provjera ili zamjena grafitne četkice motora pogonskog sustava				(2)

BEVEZETÉS**VIGYÁZAT!**

Néhány általános és részletes berendezés információ nem található ebben az útmutatóban. Kérjük, olvassa el a mellékelt CD-ROM-on található GYORS ÜZEMBE HELYEZÉSI ÚTMUTATÓ kézikönyvet Adobe® Reader® programmal.

**MEGJEGYZÉS**

A zárójelben lévő számok a Gépleírás fejezetben feltüntetett komponenseket jelölik.

AZ ÚTMUTATÓ CÉLJA ÉS TARTALMA

Ennek a használati utasításnak az a célja, hogy biztosítsa a kezelő számára az összes alapvető információt és a műszaki jellemzőket, valamint hogy tájékoztatást nyújtson a működtetésre, a használaton kívüli gépre, az alkatrészekre, a biztonsági feltételekre stb. vonatkozóan.

Bármilyen tevékenység elvégzése előtt a berendezésen a az üzemeltetőknek és minden szakképzett szakembernek el kell olvasnia a Használati útmutatót. Az utasítások értelmezését illetően vagy bármilyen további információ esetén lépjen kapcsolatba a vállalatunkkal.

A HASZNÁLATI ÚTMUTATÓ TÁROLÁSÁNAK MÓDJÁ

A használati útmutatót a berendezéshez közel, megfelelő tokban, folyadékoktól és más olyan anyagoktól távol kell tartani, melyek megrongálhatnak.

MEGFELELŐSÉGI NYILATKOZAT

A megfelelőségi nyilatkozat a gép tartozéka és igazolja a gép jog általi megfelelőségét.

**MEGJEGYZÉS**

Az eredeti megfelelőségi nyilatkozat másolatai a gép dokumentációval együtt található.

KIEGÉSZÍTŐK ÉS KARBANTARTÁS

Minden szükséges műveletet, karbantartási és javítási eljárást szakképzett szakembernek, a vállalatunk által kiválasztott javítóközpontnak kell elvégeznie. CSAK eredeti és jóváhagyott alkatrészek és tartozékok használhatók.

Keresse fel cégünk vevőszolgálatát bármilyen kiegészítő és pótalkatrész vásárlása, szervizelése kapcsán, amennyiben szükséges.

VÁLTOZTATÁS ÉS FEJLESZTÉS

Elköteleztettek vagyunk termékeink folyamatos fejlesztése mellett, és vállalatunk fenntartja a jogot arra, hogy a gépet további tájékoztatás nélkül módosítsa, illetve fejlessze.

ALKALMAZÁS HATÁLYA

A súroló kereskedelmi és ipari felhasználásra is alkalmas. Megfelelő sima és szilárd padló takarítására, amennyiben képzett személy, biztonságos körülmények mellett kezeli. Nem alkalmas kültéri használatra, illetve szőnyeg vagy durva padló tisztítására.

GÉP AZONOSÍTÁSI ADATOK

A gép sorozatszám és modell neve a sorozatcímken vannak feltüntetve.

Ez hasznos információ. Használja az alábbi táblázatot és töltsse ki a gép azonosítási adatait amikor pótalkatrészeket rendel a géphez.

GÉPMODELL.....
GÉP SOROZATSZÁMA.....

SZÁLLÍTÁS ÉS KICSOMAGOLÁS

Amikor a szállítványozó kiszállítja a gépet, bizonyosodjon meg róla, hogy a csomagolás és a gép teljes és sértetlen. Ha bármilyen sérülést tapasztal, akkor a megtérítésre vonatkozó jog fenntartása érdekében a termék átvétele előtt tájékoztassa a futárt a kárról

Pontosan kövesse az utasításokat a gép kicsomagolásakor.

Ellenőrizze a csomagot és bizonyosodjon meg róla, hogy a következők mind benne vannak:

1. Műszaki dokumentáció - Használati utasítás.
2. Komponensek akkumulátor csatlakoztatásához.
3. Elektronikus akkumulátor töltőjének kézikönyve (felszereltségtől függően) (*)

BIZTONSÁG

A következő szimbólumok jelölik a potenciálisan veszélyes helyzeteket. Mindig figyelmesen olvassa el ezt az információt és elővigyázatosan járjon el a személyi és tulajdon védelem érdekében.

LÁTHATÓ SZIMBÓLUMOK A GÉPEN



FIGYELMEZTETÉS!

Olvassa el a teljes útmutatót a gép bármiféle használata előtt.



FIGYELMEZTETÉS!

Ne mossa a gépet direct vagy nyomás alatti vízszugárral.



FIGYELMEZTETÉS!

Ne használja a gépet olyan lejtőkön való munkálatokra, melyek dőlésszöge meghaladja a specifikációk részben meghatározott értéket.

A HASZNÁLATI ÚTMUTATÓBAN SZEREPLŐ SZIMBÓLUMOK



VESZÉLY!

Halálosan veszélyes helyzetet jelöl a gépkezelő számára.



FIGYELMEZTETÉS!

Potenciális sérülés veszélyét jelöli a gépkezelő számára.



VIGYÁZAT!

Fontos vagy hasznos információkra hívja fel a figyelmet. Figyeljen az ezzel az ikonnal jelölt bekezdésekre.



MEGJEGYZÉS

Fontos vagy hasznos információkra hívja fel a figyelmet.



KONZULTÁCIÓ

Az útmutatóban leírt instrukciók pontos követésére hívja fel a figyelmet, mielőtt bármiféle eljárást végeznének a gépen.

ÁLTALÁNOS BIZTONSÁGI INSTRUKCIÓK

Előírások és figyelmeztetések potenciális emberi és gépi sérülésekről alább találhatóak.

**VESZÉLY!**

- A gépet kizárólag képzett és felhatalmazott személy kezelheti, a kézikönyv szabályai szerint.
- Bármilyen tisztítási, karbantartási, javítási vagy alkatrészcsere művelete előtt, figyelmesen olvassa el az utasításokat, biztosítsa, hogy a gép ki legyen kapcsolva és csatlakoztassa le az akkumulátor csatlakozóját.
- Ne használja a gépet mérgező, veszélyes, gyúlékony és/vagy robbanékony porfélék, folyadékok vagy gőzök közelében. A készülék nem alkalmas veszélyes porfélék összegyűjtésére.
- Ne viseljen ékszereket, mikor elektromos alkatrészek közelében végez munkát.
- Ne dolgozzon a felemelt gép alatt, amennyiben az nincs biztonsági állványokkal megtámasztva.
- Ólom akkumulátor használatakor az gyúlékony gázt bocsáthat ki normál használat mellett, mindenképp tartsa távol szikrától, lángtól, füstölgő és sugárzó anyagoktól, fényparasztó és égő eszközöktől.
- Ólom akkumulátor töltésekor az robbanásveszélyes hidrogén gázt bocsáthat ki. Biztosítsa a töltési környezet megfelelő szellőzését, és ne használjon lángot annak közelében.

**FIGYELMEZTETÉS!**

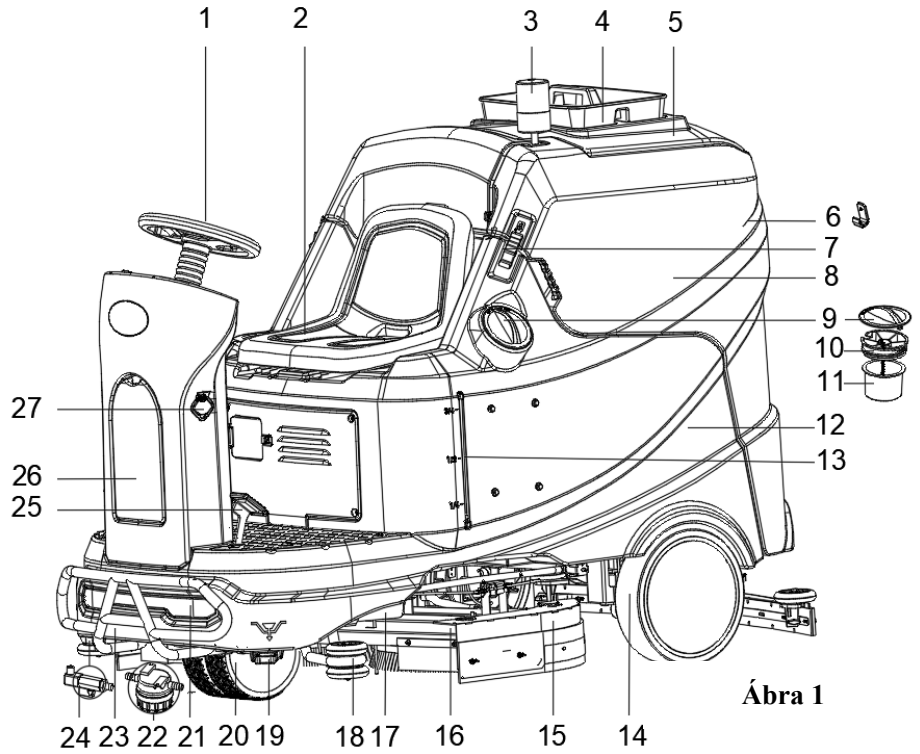
- A gép például szállodákban, iskolákban, kórházakban, gyárakban, üzletekben, irodákban vagy lízingvállalkozásokban történő KERESKEDELMI HASZNÁLATRA nem alkalmas.
- Biztosítani kell, hogy a felügyelet nélkül hagyott gép ne végezhesen véletlen mozgásokat.
- A gép illetéktelen használatának megakadályozása érdekében az áramforrást ki kell kapcsolni vagy le kell zárni, például a főkapcsoló vagy az indítókulcs eltávolításával.
- Minden használat előtt ellenőrizze a gépet figyelmesen. Biztosítsa, hogy az összes alkatrész megfelelően lett összeszerelve használat előtt. A kilazult komponensek személyi sérüléshez és anyagi kárhoz vezethetnek.
- Soha ne mozgassa a gépet az akkumulátor töltő kábelénél fogva. Ne vezesse a kábelt zárt ajtón keresztül vagy éles szélek és sarkok mentén. Ne tolja át a gépet az akkumulátor töltőkábelén. Tartsa az akkumulátor töltő kábelt fűtött felületektől távol.
- Ne töltsé az akkumulátort, ha az akkumulátor töltő kábel vagy annak csatlakozója sérült.
- Hogy csökkentse a tűz, áramütés vagy baleset esélyét, győződjön meg róla, hogy a gép ki van kapcsolva, mielőtt otthagyná.
- Használja és tárolja a gépet fedett helyen, nem engedett a kültéri használata.
- A gép tárolási és üzemi hőmérsékletének 0 °C és +40 °C között kell lennie, a levegő páratartalma 30% – 95% lehet.
- A gépet ne használja olyan lejtőn, amelynek dőlésszöge meghaladja a specifikációban megadott értéket.
- Padlótisztító mosószer használatakor, kövesse a mosószer csomagolásának címkéjén található utasításokat, valamint viseljen megfelelő kesztyűt és védőfelszerelést.
- Használjon a géphez mellékelt vagy a kézikönyvben leírtaknak megfelelő keféket és szivacsokat. Egyéb típusú kefék vagy szivacsok használata a biztonság csökkenéséhez vezethet.
- A készülék meghibásodása esetén, győződjön meg róla, hogy az nem a karbantartás hiánya miatt következett be. Szükség esetén, kérjen segítséget a felhatalmazott személytől vagy felhatalmazott szerviz központtól.
- Tegyen meg mindent annak érdekében, hogy ne kerüljön haj, ékszerek vagy laza ruházat a gép mozgó alkatrészeihez.
- Ne használja a gépet rendkívül poros környezetben.

- Ne mossa a gépet direct vagy nyomás alatti vízszugárral, vagy maró anyagokkal.
- Ne ütközzön polcokkal vagy állványzatokkal, különösen, ahol leeső tárgyak veszélye áll fenn.
- Ne támasszon folyadék konténereket a gépnek, használja a megfelelő kannatartót.
- A padló védelme érdekében, ne hagyja a keféket, szivacsot álló helyben is dolgozni.
- Tűz esetén, használjon száraz porral oltó készüléket. Ne használjon folyékony tűzoltó készüléket.
- Ne távolítsa el vagy módosítsa a gépen lévő címkéket.
- Ne módosítsa a gép biztonsági védőberendezéseit, és szigorúan tartsa be az ütemezett karbantartásra vonatkozó utasításokat.
- A gép szállításakor figyeljen rá, ha a hőmérséklet fagypont alatt van. A víz a gyűjtőtartályban és csövekben megfagyhat és súlyos kárt okozhat a gépben.
- Alkatrészcsere esetén, rendeljen EREDETI alkatrészeket egy Hivatalos forgalmazói és Kiskereskedőtől.
- Vigye vissza a gépet a szervizközpontba, ha nem működik a szokásosnak megfelelően vagy ha sérült.
- A gép megfelelő és biztonságos működésének érdekében a kézikönyvben található menetrendszerű karbantartást egy arra felhatalmazott személy vagy hivatalos forgalmazó vagy kiskereskedő végezheti el.
- A gépet megfelelően kell leselejtezni, a mérgező/káros anyagok jelenléte miatt (akkumulátor, stb.), mivel ezek speciális leselejtezési előírások hatálya alá esnek (lásd a Selejtezés c. fejezetet).
- Ez a gép kizárólag takarítóeszköz, semmilyen más célra nem használható.
- A nyílásokat mindig tartsa portól, hajszállaktól és egyéb olyan idegen anyagoktól mentesen, amelyek csökkenthetik a légáramlást. Ne használja a gépet, ha a nyílások elzáródtak.
- A gépet kizárólag megfelelő világítás mellett használja.
- A gépet nem használhatják csökkent fizikai, érzékszervi vagy mentális képességekkel rendelkező, illetve olyan személyek, akik nem rendelkeznek a megfelelő tapasztalattal és ismeretekkel (beleértve a gyermekeket).
- Ha gyermekek közelében használják, akkor különös körütekintésre van szükség.
- A gyerekeket felügyelet alatt kell tartani, hogy biztosan ne játszanak a géppel.
- A gép használata közben vigyázzon, hogy ne tegyen kárt személyekben vagy tulajdonban.
- A gép tisztítását és karbantartását gyermekek nem végezhetik felügyelet nélkül.
- A gépek használatáról megfelelő oktatást kell kapniuk a kezelőknek.
- Ne használja a gépet leeső tárgyak elleni védőszerkezet (FOPS) nélkül olyan területeken, ahol a kezelőt valószínűleg eltalálják a leeső tárgyak.

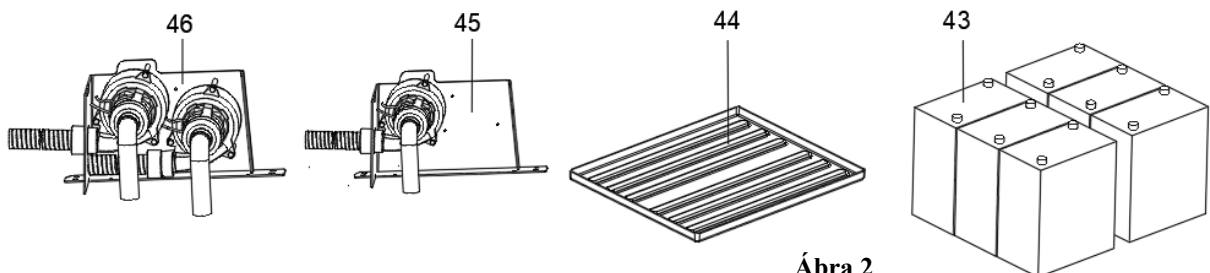
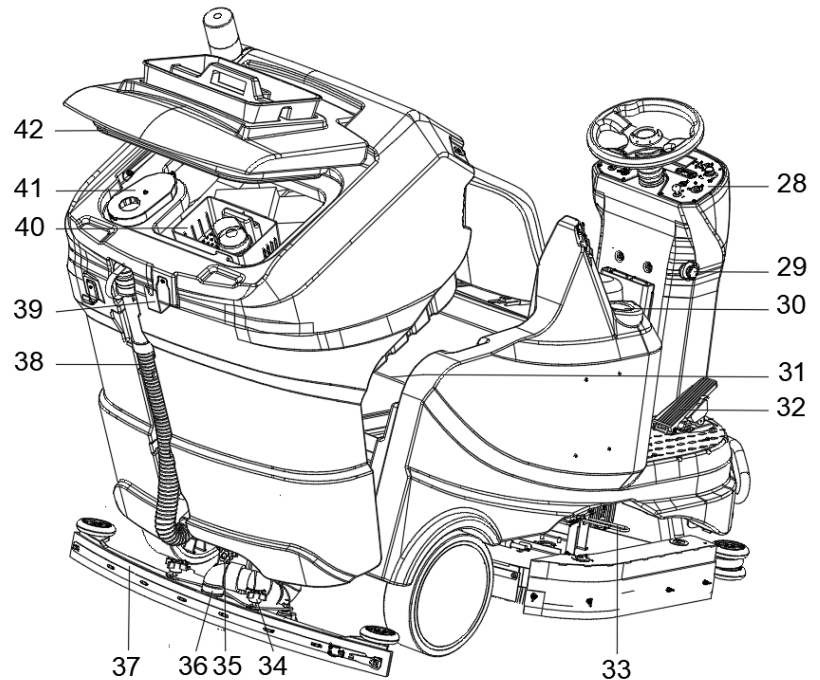
GÉPLEÍRÁS

A GÉP FELÉPÍTÉSE* - opcionális

1. Kormánykerék
2. Ülés, állítható (biztonsági kapcsolóval)
3. Figyelmeztető lámpa
4. Közüzemi tároló (*)
5. Szennyvíztartály fedele
6. Kampó
7. Zár (x2)
8. Szennyvíztartály
9. Szűrő burkolata
10. Töltőtömlő tartója
11. Szűrőtámasz
12. Oldattartály
13. Vízsztintjelző cső
14. Hajtókerekek (mechanikus fékkel)
15. Oldalsó fröccsenésgátlók
16. Kefe összeszerelése
17. Szivattyú
18. Ütköző kerekek
19. Oldattartály leeresztő fedele
20. Első kerekek
21. Elülső lámpák
22. Oldatszűrő
23. Első lökhárító
24. Oldat elzárószelepe
25. Mechanikus fékpedál
26. Belső tárolófedél
27. USB-töltő port
28. Vezérlőpanel
29. Biztonsági kapcsoló
30. Pohártartó
31. Visszafolyó tartály tartókábele
32. Gázpedál
33. Kefe-/betétmeghajtó telepítésének leállítása
34. Gumitörlő tekerőgombjai
35. Gumitörlőszög beállító gombja
36. Gumitörlő szívótömlője
37. Gumitörlő
38. Szennyvízleeresztő tömlő
39. Gumitörlő kampója
40. Törmelékgyűjtő doboz
41. Bemeneti szívósűrő
42. Tartályfedél tömítő
43. Akkumulátorok (N/A)
44. Akkumulátortálca (*)
45. Szívórendszer
46. Kettős vákuumrendszer (*)



Ábra 1



Ábra 2

VEZÉRLŐPULT (lásd az ábrát)

47. Többfunkciós kijelző

Megjelenített elemek:

- A) Akkumulátortípus
- B) Akkumulátor töltöttségi szintje
- C) Üzemórák száma
- D) ECO üzemmód
- E) Normál szívás üzemmód
- F) Csendes szívás üzemmód
- G) Hátrameneti üzemmód
- H) Extra nyomás aktív
- I) Mosószeroldat áramlási mennyisége
- J) Kefe üzemmód
- K) Szívás üzemmód
- L) Ülés biztonsági kapcsolója kikapcsolva

48. A szennyvízartály megtelt/ oldat tartály üres jelző

49. Sebesség-beállító gomb

50. Oldatáramlást beállító gombok

51. One-Start gomb

LED bekapcsolása aktiválva a fenti gombokon
vízrendszer (2. szint)

·Minimum nyomás (1. szintű)

Szívórendszer normál

52. Előre-hátra gomb

53. Indítókulcs (0=BE I=KI)

54. Szívórendszer beállítógombja

(az aktiváláshoz nyomja le a gombot 1 másodpercig)

Állandó LED bekapcsolva - normál üzemmód

Villogó LED -csendes üzemmód

55. ECO üzemmód gombja

LED bekapcsolása aktiválva a fenti gombokon

·vízáramlás minimum (1. szinten)

·Minimum nyomás (1. szintű)

·Szívás csendes üzemmódban

56. Kefe-/betéttartó kattintás be/ki

·Villogó LED-kattintás aktiválva

57. Kefenyomást beállító gombok

58. Duda

59. Elülső lámpa gombja

60. Töltőcsatlakozó fedele

61. Kefemotorok túlterhelés elleni védelme (30A)

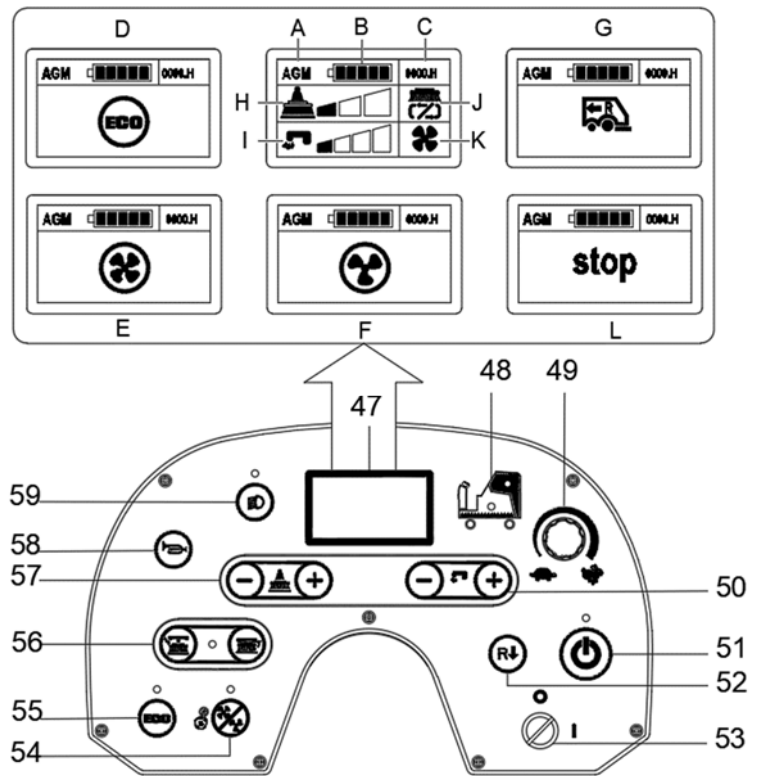
62. Kefeemelő túlterhelés elleni védelme (3A)

63. Töltőcsatlakozó

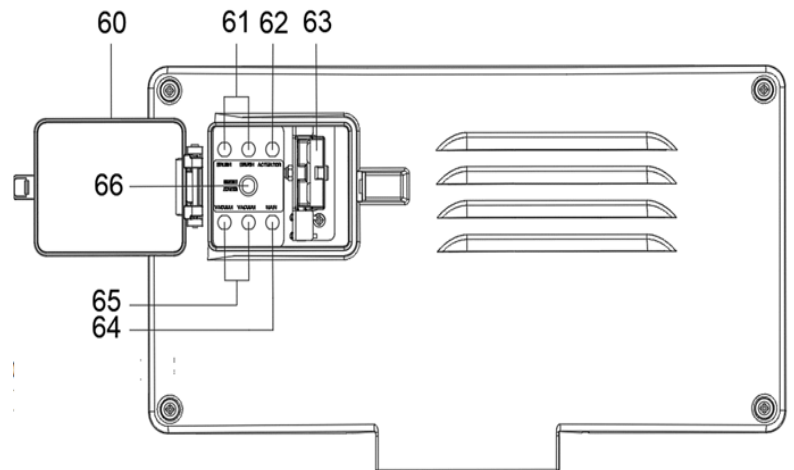
64. Fő vezérlőkör túlterhelés elleni védelme (5A)

65. Szívómotor(ok) túlterhelés elleni védelme (30A)

66. Gumitörlő-emelő túlterhelés elleni védelme (3A)



Ábra 3



Ábra 4

MŰSZAKI ADATOK

Paraméter típusa	AS1050R
Feszültség	36 V
Névleges teljesítmény (BEMENET)	125A/4500W
IP védelmi osztály	IP24
Oldattartály kapacitása	200L / 53 gallon
Gyűjtőtartály kapacitása	200L / 53 gallon
Súrolási szélesség	980mm/35,58 hüvelyk
Kefe/szivacs átmérője	508 mm x 2 /20 hüvelyk x 2
Kefe-/szivacsnyomás (max.)	90 Kg / 198 font
Kefemotor teljesítménye (BEMENET)	2 X 1000 Watt / 2 X 1,3 HP
Kefe sebessége normál üzemmódban	240 ford./perc
Kefe sebessége ECO üzemmódban	175 ford./perc
Percenkénti oldatáramlás (max.) beállítás szerint	(1,6/2,3/3,3/4,6) liter /0,42/0,61/0,87/1,22 gallon
Hangnyomásszint (egy szivómotor)	72 ± 3 dB (A)
Hangnyomásszint (két szivómotor) (*)	75 ± 3 dB (A)
Hangnyomásszint ECO üzemmódban vagy csendes üzemmódban	69 ± 3 dB (A)
Szivómotor teljesítménye	600 W/0,8 LE
USB-töltés	MAX. 5V 2,4A
Produktivitás (max.)	7840 m ² /h/84389 láb ² /h
Munkasebesség	0 - 8 km/óra; 0 - 5 mérföld/óra
Előremeneti sebesség	0 - 8 km/óra; 0 - 5 mérföld/óra
Hátrameneti sebesség	0 - 5 km / 0 - 3,1 mérföld/óra
Hajtómotor teljesítménye (BEMENET)	1600 W/2,1 LE
Min. fordulási sugár	2650mm/104 hüvelyk
Szállítási mászóképeség (max.)	20%
Munka közbeni mászóképeség (max.)	16%
Hajtókerék átmérője	340mm/13,4 hüvelyk
Hajtókerék fajlagos padlónyomása	0,68 N/mm ²
Elülső kerék átmérője	250 mm/10 hüvelyk
Első kerék fajlagos padlónyomása	0,62 N/mm ²
Kar rezgésszintje (max.)	< 2,5 m/s ²
Akkumulátortartó rekesz mérete tálca nélkül (H x Sz x M)	(680x560x450) mm / 26,7 x 22 x 17,7 hüvelyk
Akkumulátortartó rekesz mérete tálcával (H x Sz x M)	(665x550x430) mm / 26,1 x 21,6 x 16,9 hüvelyk
Géphossz elülső lökhárító nélkül	1875mm/73,8 hüvelyk
Gép szélessége gumitörlő nélkül	1077mm/42,4 hüvelyk
Berendezés magassága	1350 mm/53 hüvelyk
Berendezés magassága(Felsővédővel)	1955 mm/77 hüvelyk
Berendezés súlya üres tartályokkal (akkumulátorok nélkül)	398 Kg / 853,6 font
Jármű bruttó súlya (GVW)	870 Kg / 1914 font
Jármű bruttó súlya (GVW) (Felsővédővel)	897 Kg / 1973 font
Szállítási súly	490 Kg / 1078 font
Csomag méretei (H x Sz x Ma)	(2110 x 1220 x 1535 mm) / (83x 48 x 60,4 hüvelyk)

(*) : Választható

KEZELÉSI ÚTMUTATÓ

**FIGYELMEZTETÉS!**

A berendezés egyes pontjain matricák találhatóak az alábbiakat jelezve:

- VESZÉLY!
- FIGYELMEZTETÉS!
- VIGYÁZAT!
- KONZULTÁCIÓ

A Kézikönyv olvasása közben az üzemelőnek ügyelnie kell a matricákon található szimbólumokra. Ezeket soha ne takarja el, és ha megsérültek, azonnal cserélje ki őket.

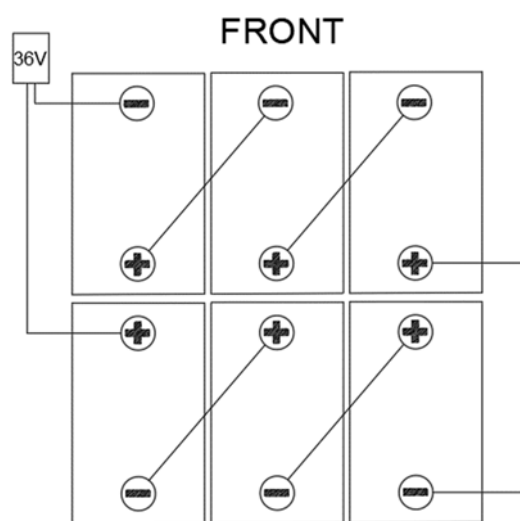
AKKUMULÁTOR ELLENŐRZÉS / AZ ÚJ BERENDEZÉS BEÁLLÍTÁSA

**FIGYELMEZTETÉS!**

Az akkumulátorok helytelen behelyezése vagy csatlakoztatása esetén a berendezés elektromos komponensei súlyosan megsérülhetnek. Az akkumulátorokat csak szakképzett személy helyezheti be. Állítsa be az akkumulátor típusát az alábbi eljárás szerint, a használt akkumulátor típusának megfelelően (WET vagy GEL / AGM / DIS/ENE elemek). Beszerelés előtt ellenőrizze, hogy nincs-e sérülés az akkumulátorokon. Válassza le az akkumulátor csatlakozóját és az akkumulátor töltőt csatlakozóját. Óvatosan kezelje az akkumulátorokat. Helyezze fel a berendezéslek apott akkumulátor-terminál védő sapkákat.

**MEGJEGYZÉS**

A géphez hat 6 V-os elem szükséges, amelyeket az 5. ábrán látható pozíciókban kell csatlakoztatni és felszerelni.



Ábra 5

A gépbe beszerelt akkumulátorok

1. Győződjön meg arról, hogy az akkumulátor csatlakozója csatlakoztatva legyen.
2. Az akkumulátorok első használatakor végezze el a teljes töltési ciklust (a műveletet lásd a Karbantartás c. fejezetben).

Akkumulátorok nélkül

1. Vásárolja meg a megfelelő akkumulátorokat (lásd: „Műszaki adatok” című bekezdés). Az akkumulátor kiválasztásával és telepítésével kapcsolatban forduljon szakképzett akkumulátor kiskereskedőkhöz.
2. Állítsa be az akkumulátor típusát az alábbi eljárás szerint.

AKKUMULÁTOR BEHELYEZÉSE ÉS AKKUMULÁTOR-TÍPUSÁNAK BEÁLLÍTÁS (WET /GEL/ AGM /DIS/ENE)**Az akkumulátor beszerelése**

1. Nyissa ki a bal és jobb reteszeket (1. Ábra, 7).
2. Nyissa fel a szennyvíztartály fedelét (1. Ábra, 5) és ellenőrizze, hogy a szennyvíztartály (1. Ábra, 8) üres-e; ellenkező esetben eressze le a leeresztő tömlő segítségével (2. Ábra, 38).
3. Zárja le a gyűjtőtartály fedelét (1, Ábra 1)
4. Emelje fel óvatosan a gyűjtőtartályt (8, Ábra 1)
5. Csatlakoztassa le a szennyvíztartály kábelét, és távolítsa el a szennyvíztartály teljes szerelvényét.
6. Távolítsa el a szennyvíztartály forgókábelének egy csavarját (2. Ábra, 31), és fordítsa vissza.
7. Távolítsa el a szennyvíztartály aljáról a négy csavart.

A berendezést hat 6 V-os akkumulátor telepítését támogató kábelekkel szállítjuk. Óvatosan helyezze az akkumulátorokat a rekeszbe, majd helyesen szerelje be őket az 5. Ábra alapján. Helyezze fel megfelelően az akkumulátortálcát.

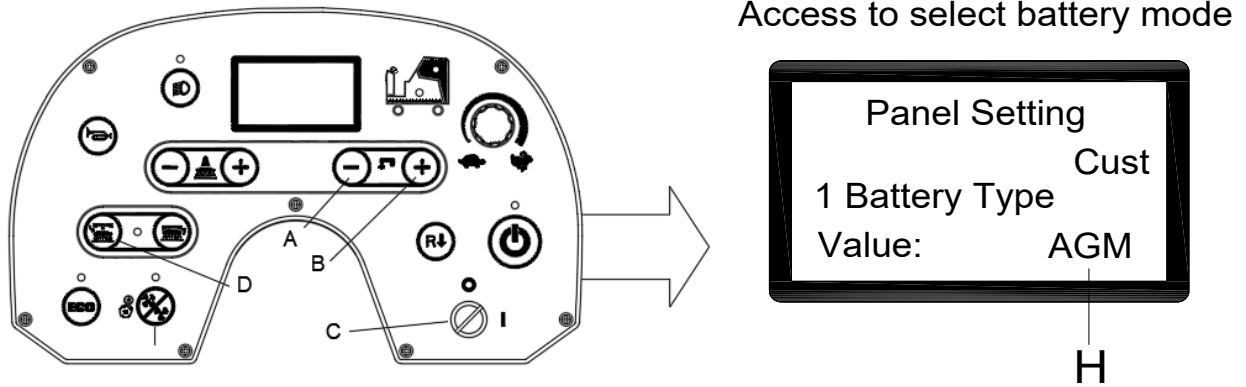
8. Az akkumulátorkábelt megfelelően vezesse és szerelje be (5. Ábra), majd óvatosan szorítsa meg az akkumulátorcsatlakozók anyáját.

9. A csatlakozókra helyezze rá a védőtapaszt, majd csatlakoztassa az akkumulátor csatlakozóját a géphez.
10. Rakja össze a teljes szennyvíztartályt a szétszereléssel fordított sorrendben.
11. Óvatosan engedje le a szennyvíztartályt.

Akkumulátortípus beállítása (WET/GEL/AGM/DIS/ENE)

Hozzáférés az akkumulátor üzemmód kiválasztásához

Az akkumulátortípusnak (WET/GEL/AGM/DIS/ENE) megfelelően állítsa be a gépet az alábbiak szerint:



Ábra 6

1. Nyomja meg egyszerre a „-” (6. Ábra, A) és a „+” (6. Ábra, B) vízáramlás gombot.
2. Helyezze be az indítókulcsot (6. Ábra, C) és fordítsa „I” állásba.
3. Pár másodperc múlva lépjen be az akkumulátor üzemmódjának kiválasztására szolgáló képernyőre (6. Ábra).
4. Nyomja meg a „-” (6. Ábra, A) és a „+” (6. Ábra, B) vízáramlás gombot az akkumulátor üzemmódjának kiválasztásához (6. Ábra, H).
5. Nyomja meg a kioldó gombot (D, 6. ábra), Ha 3 másodperc múlva megjelenik az „Update OK” (Frissítés rendben) felirat, akkor a művelet sikeres, indítsa újra a gépet. (6. Ábra, C).

Akkumulátor töltés

Töltse fel teljesen az akkumulátorokat (az eljárást lásd a Karbantartás c. fejezetben).

Az akkumulátorok lemerülése

Amikor az akkumulátorok szimbóluma teli állapotot jelez, (7. Ábra, G), akkor az akkumulátorok teljesen fel vannak töltve. Amikor az akkumulátorok szimbólumának töltöttsége alacsony (H, Ábra 7), akkor az akkumulátorokat fel kell tölteni. Néhány másodperccel azután, hogy megjelenik az alacsony töltöttségi szimbólum, a kefemotorok automatikusan leállnak, míg a hajtásrendszer tovább működik. Haladéktalanul vezesse a berendezést a kijelölt töltési területre.



Ábra 7

KEFE/PÁRNATARTÓ TELEPÍTÉSE ÉS ELTÁVOLÍTÁSA



MEGJEGYZÉS

A tisztítani kívánt padlófelületről függően helyezze fel a kefetartót (A, Ábra 8) vagy párnatartót (B és C, Ábra 8).



VIGYÁZAT!

Mielőtt felszerelné a kefe- vagy a szivacsstartót, győződjön meg róla, hogy a gép minden kapcsolója kikapcsolt helyzetben van, és a gumitörő fel van emelve a padlóról. A gép működtetését megfelelő személyi védelmi eszközökkel kell ellátni, például kesztyűvel, ami csökkenti a balesetek kockázatát.

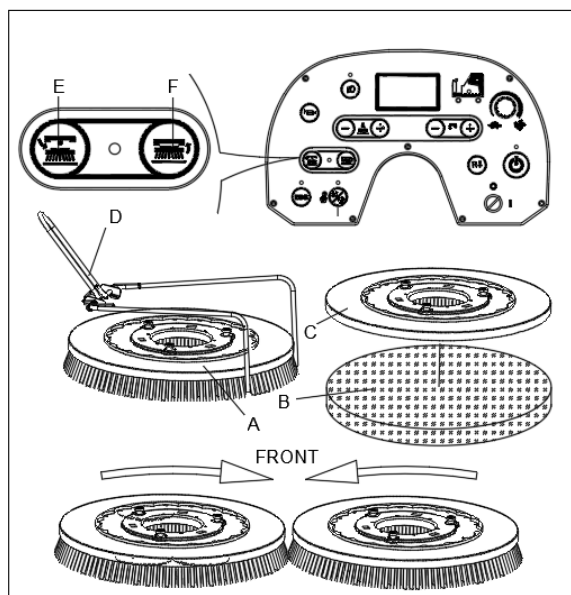
Végezze el az alábbiakat:

FELSZERELÉS:

1. Helyezze be az indítókulcsot (3. Ábra, 53) és fordítsa „I” állásba. Emelje fel a platót.
2. Helyezze be a keféket (8. Ábra, A) vagy a szivacsstartókat (8. Ábra, B) a plató alá. A megfelelő kefe/párnatartó pozíció megtalálásához használja a kefelepitési leállítót (8. Ábra, D).
3. Helyezze be a kefe-/szivacsstartót a kefe-/szivacsstartó bekattintó gombjának (8) lenyomásával; ekkor a kefe-/szivacsstartó automatikusan behelyezésre kerül. A forgásirány bemutatása (8. Ábra). A LED-jelzőfény villogni fog.

ELTÁVOLÍTÁS

1. Helyezze be az indítókulcsot (3. Ábra, 53) és fordítsa az „I” állásba. Bizonyosodjon meg róla, hogy a kefe/betéttartó felemelt (FEL) állásban van. A kefe-/szivacsstartó eltávolításához nyomja meg a kefe-/szivacsstartó feloldógombját (8. Ábra, E); ekkor a kefe-/szivacsstartó automatikusan kiold. A LED-jelzőfény folyamatosan világítani fog.



Ábra 8

Ha megnyomja a kefe kikapcsológombját és megnyomja a bekapcsológombot, ki kell kapcsolnia a gyújtást, majd be kell kapcsolnia, a gép újra működhet.

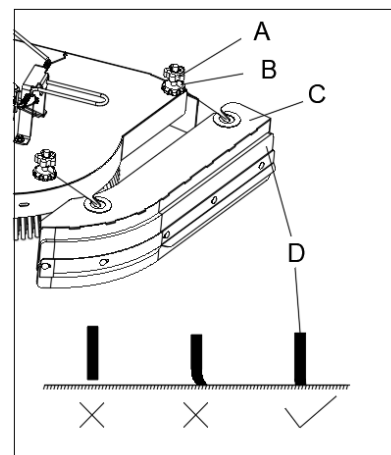
OLDALSÓ FRÖCCSENÉSGÁTLÓK EGYENSÚLYÁNAK BEÁLLÍTÁSA

A fröccsenésgátló magasságát figyelemmel kell kísérni és be kell állítani. A géppel végzett tisztítás során ellenőrizze az oldalsó fröccsenésgátlók teljesítményét.

- A. Ha a fröccsenésgátlók túl magasak, a (D) fröccsenésgátló és a padló közötti rés a kanyarodásnál vizet hagy a padlón.
- B. Ha a fröccsenésgátlók túl alacsonyak, a fröccsenésgátló (D) túl messzire elhajlik, kanyarodás közben vizet hagyva, és csökkentve a fröccsenésgátló élettartamát.
- C. A beállítás akkor megfelelő, amikor a fröccsenésgátlók enyhén érintik a padlót a hátuljaig.

A beállítási eljárás a következő:

1. Győződjön meg róla, hogy a fedél felemelt (UP) állásban legyen.
2. Lazítsa meg a felső rögzítőanyákat (A), és távolítsa el a fröccsenésgátló szerelvényt.
3. Állítsa be az alsó (B) rögzítőanyát felfelé/lefelé.
4. Szerelje vissza a fröccsenésgátló szerelvényt és ellenőrizze a beállítást.
5. Ismétlje meg a 3. é 4. pontot szükség szerint a fröccsenésgátló beállításának helyességéig.
6. Húzza meg az (A) felső rögzítőanyát a beállítás rögzítéséhez.
7. Ismétlje meg az eljárást a másik oldali fröccsenésgátló esetében is.

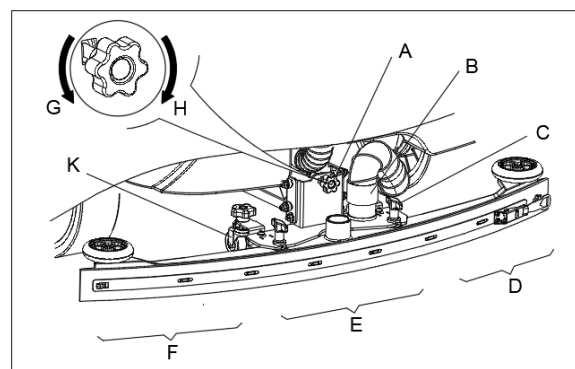


Ábra 9

GUMITÖRLŐ EGYENSÚLYÁNAK SZABÁLYOZÁSA

1. Szerelje fel a gumitörölőt és húzza meg az anyacsavarokat (10. Ábra, C), majd csatlakoztassa a szívóömlőt (B) a gumitörölőhöz.
2. Állítsa be a gumitörölőt a gumitörölő szabályzó karral (A).
 - a) Ha rés van a padló és a hátsó gumitörölőlap középső része között (E), akkor tekerje a gombot (A) az óramutató járásával megegyező irányba (H) úgy, hogy a hátsó gumitörölőlap teljesen hozzáérjen a padlóhoz, és az első lap pedig épp csak érintse azt.
 - b) Ha rés van a padló és a hátsó gumitörölőlap mindkét széle között (D és F), tekerje a gombot (A) az óramutató járásával ellentétes irányba (G) úgy, hogy a hátsó gumitörölőlap teljesen hozzáérjen a padlóhoz, és az első lap pedig épp csak érintse azt.

Ha szükséges, állítsa be a gumitörölő teljes magasságát a görgő kerék (K) magasságának beállításával.



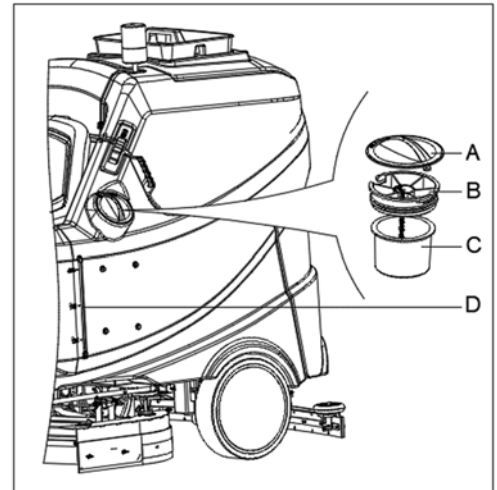
Ábra 10

AZ OLDATTARTÁLY FELTÖLTÉSE

1. Nyissa fel a vízbemenet fedelét (A, Ábra 11).
2. Töltse fel vízzel vagy a munka elvégzéséhez megfelelő oldattal a szűrővel ellátott vízbemeneti nyíláson keresztül.
Az oldat hőmérséklete nem haladhatja meg a +104F (+40 °C)-ot.
3. A tartályt ne töltse túl, ellenőrizze a víz mennyiségét a vízszintjelző (D) segítségével.

**FIGYELMEZTETÉS!**

Csak alacsony habzású és nem gyúlékony, automatikus padlómosó alkalmazásokhoz gyártott tisztítószereket használjon.



Ábra 11

MEGHAJTÓMOTOR ÉS MECHANIKUS FÉK ELLENŐRZÉSE

1. Fordítsa az indítókulcsot (12. Ábra, A) „I” állásba, és üljön be az ülésre (C).
2. Nyomja le a gázpedált (D) enyhén, majd engedje vissza annak ellenőrzésére, hogy a gép kormányozható-e és megállítható-e.
3. Biztonságának érdekében győződjön meg róla, hogy a gép azonnal leállítható legyen a vészleállító gombbal (B). Forgassa a vészleállító gombot, hogy visszaállítsa azt.
4. Nyomja le gyorsan a mechanikus fékpedált (F), és ellenőrizze, hogy a gépet azonnal le lehet-e állítani.

**FIGYELMEZTETÉS!**

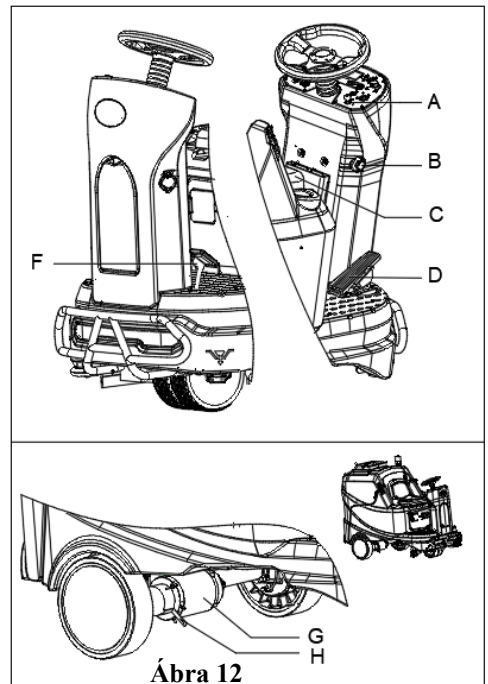
A munka közbeni mászóképeség nem haladhatja meg a 16%-ot. A lejtőn végzett munka során tartsa a tartály zárait (7. Ábra 1. Ábra) bekapcsolva. A biztonság kedvéért soha ne állítsa meg lejtőn.

Maximum 20%-os dőlésszögű emelkedőn haladva előzetesen állítsa be a sebességkorlátozó potenciométert a maximális sebességpozícióba. Felfelé haladás közben teljesen nyomja le a gázpedált.

Ha a súrolás legfeljebb 16% -os dőlésszögű emelkedőn történik, előzetesen állítsa a sebességkorlátozó potenciométert a maximális sebességpozícióba. Ha a kijelzőn a “Error 4, Tra Overload” felirat látható, állítsa be a kefe nyomását a legalacsonyabb értékre.

Ha úgy találja, hogy a gép sebessége az emelkedőn haladva lassul és közel áll a leálláshoz, és a kijelzőn megjelenik a “Error 4, Tra Overload” felirat, azonnal engedje fel a gázpedált, és lépjen a mechanikus fékre.

Ha “Error 4, Tra Overload” jelenik meg az emelkedőn felfelé haladva, azonnal álljon meg és lépjen a mechanikus fékre, kapcsolja ki a kulcsos kapcsolót, majd kapcsolja be a kulcsos kapcsolót az újraindításhoz és a felfelé haladás abbahagyásához. Állítsa be a sebességkorlátozó potenciométert kis sebességű pozícióba, majd nyomja meg a hátrameneti gombot, engedje fel a mechanikus féket, óvatosan lépjen a gázpedálra, hogy a gép lassan hátrafelé haladhasson, amíg az enyhébb emelkedőt el nem éri.



Ábra 12

**VIGYÁZAT**

A hajtómotor fékje kienged, amikor a motor normálisan működik, és rögzül, amikor a motor leáll. Egyes különleges esetekben, mint például a gép csomagolása/kicsomagolása, géphiba stb., előfordulhat, hogy a gépet tolni kell. Hajtómotoron (12. Ábra, G) nyomja le a fékfogantyút (12. Ábra, H), a gép fékje kioldódik, és a gép mozgatható. A befejezés után nyomja vissza a fogantyút, hogy a gép működhessen.

BERENDEZÉS ELINDÍTÁSA ÉS LEÁLLÍTÁSA**Indítsa újra a gépet**

1. Készítse elő a berendezést az előző bekezdésben leírtak szerint.
2. Üljön az ülésre (13. Ábra, K), helyezze be a gyújtáskulcsot (13. Ábra, J) és forgassa „I” állásba. Ellenőrizze az akkumulátorok állapotát a kijelzőn. Szükség esetén töltse fel az akkumulátorokat (az eljárást lásd a Karbantartás c. fejezetben).
3. Vezesse a berendezést a munkaterületre.

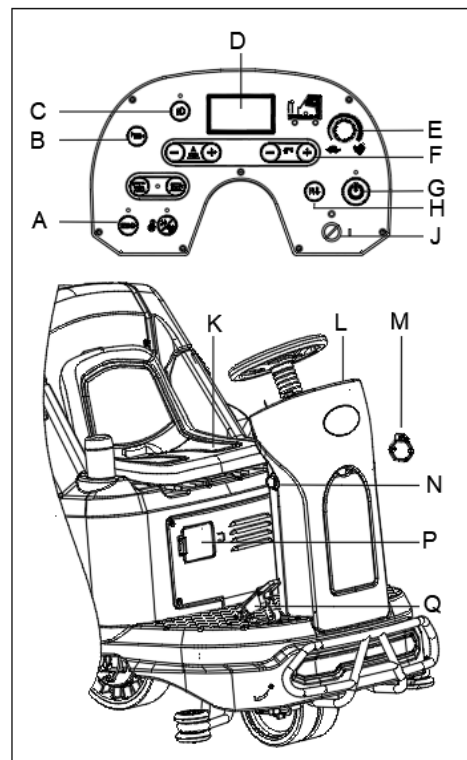
Az előre-/hátrameneti irány a kapcsolóval szabályozható (13. Ábra, H). A sebesség a beállítóval (13. Ábra, E) állítható be.

4. Nyomja meg a One-Start gombot (13. Ábra, G) a gép indításához, a gumitörlő és a kefék automatikusan leereszkednek a padlóra, és a szívómotor működni kezd.
5. A végrehajtandó tisztítás típusától függően, szükség szerint nyomja meg az oldatáramlás-szabályozó gombokat (13. Ábra, F).
6. Nyomja le a gázpedált (13. Ábra, Q), és kezdje el a tisztítást.
7. Az USB-töltő port (13. Ábra, M) segítségével feltöltheti a telefonját vagy a táblagépet, ha az indítókulcs (13. Ábra, J) „I” állásban van.
8. Nyomja meg a dudát (13. Ábra, B), hogy figyelmeztesse az embereket, ha szükséges.
9. Ha szükséges, nyomja meg a vészleállító gombot (13. Ábra, N) a gép vészleállításához.
10. Szükség esetén nyomja meg az elülső világítás gombját (13. Ábra, C) a sötét területek megjelenítéséhez vagy a gyalogosok figyelmeztetéséhez.
11. Szükség esetén állítsa be az ülést (13. Ábra, K) a jobb oldali fogantyú elfordításával, majd csúsztassa az ülést a megfelelő pozícióba.



MEGJEGYZÉS

A kefmotort, a szívómotort, a hajtómotort és a vezérlőáramkört túlterhelésvédő védi (13. Ábra, P). Amikor a túlterhelésvédő kioldódik, ne állítsa vissza azonnal anélkül, hogy kiderítené a kiváltó okot, és újraindítás előtt győződjön meg róla, hogy a motor lehűlt állapotban legyen.



Ábra 13

Állítsa le a berendezést.

12. Engedje fel a gázpedált (13. Ábra, Q), és a berendezés leáll.
13. Nyomja meg a One-Start gombot (13. Ábra, G) a kefék és a szívómotor leállításához. A kefék és a gumitörlő automatikusan felemelkednek a padlóról. A szívórendszer néhány másodperc múlva leáll.
14. Fordítsa a gyújtáskulcsot „0” állásba.
15. Bizonyosodjon meg arról, hogy a berendezés nem tud elindulni.

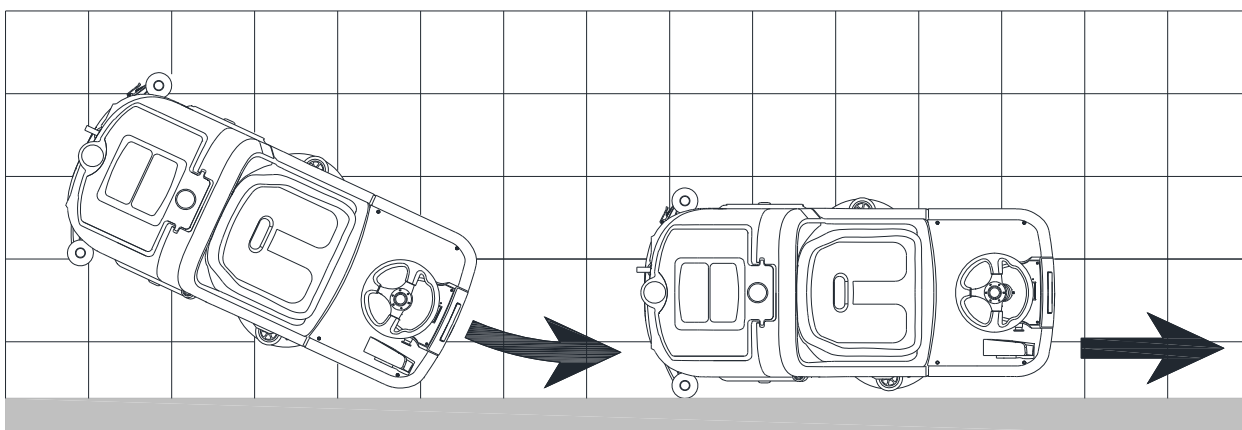
A GÉP MŰKÖDÉSE (SÚROLÁS ÉS SZÁRÍTÁS)

1. Indítsa el a gépet a korábbi bekezdésekben leírtaknak megfelelően.
2. Kezdje a tisztítást a „Gép bekapcsolása” részben leírt műveletek követésével.
3. Ha szükséges, állítsa le a gépet, hogy beállítsa az oldalsó fröccsenésgátlókat „Az oldalsó fröccsenésgátlók kiegyensúlyozása” fejezetnek megfelelően.
4. Ha szükséges, állítsa le a gépet, hogy beállítsa a gumitörlőt a „Gumitörlő kiegyensúlyozása” fejezetnek megfelelően.



MEGJEGYZÉS

A padló fal menti részének megfelelő súrolásához/szárításához. A falakat a gép jobb oldalával javasolt megközelíteni (14. Ábra, A és B), az ábrán látható módon.



Ábra 14

ÜRES TARTÁLY

Szennyvíztartály ürítése

Amikor a többfunkciós kijelzőn (47. Ábra, 3. Ábra) megjelenik az ERROR24, és a szennyvíztartály teljes kijelzője (3. Ábra, 48) bekapcsol. Ez azt jelzi, hogy a szennyvíztartály (15. Ábra, C) megtelt, a szivómotor nem tudja tovább szárítani a padlót. Ürítse ki a szennyvíztartályt a következő lépések szerint:

1. Állítsa le a berendezést.
2. Emelje fel a kefe-/szivacstartó platót és a gumitörlőt a One-Start gomb (3. Ábra, 51) lenyomásával.
3. Vezesse a gépet a kijelölt ürítési területre.
4. Ürítse ki a gyűjtőtartályt a tömlőn keresztül (15. Ábra, D). Majd öblítse ki a tartályt (15. Ábra, C) tiszta vízzel.



VIGYÁZAT!

A szennyvíz elvezetésekor tartsa magasan a leeresztő tömlőt, és hajtsa rá a felső részre, hogy ne ömöljön a kezelőre.

Oldószer/tiszta víz tartály kiürítése

1. Ürítse ki a tisztítószeres tartályt a kimeneti fedélen keresztül (15. Ábra, A). Munka után öblítse ki a tartályt tiszta vízzel.

A BERENDEZÉS HASZNÁLATA UTÁN

Munka után, mielőtt magára hagyná a berendezést:

1. Távolítsa el a kefe-/szivacstartókat a bal oldali kioldógomb (3. Ábra, 56) lenyomásával és tisztítsa meg őket.
2. Ürítse ki a tartályokat (B és C, Ábra 15) az előző bekezdésben leírtak szerint.
3. Végezze el a napi karbantartási eljárásokat (lásd: Karbantartás fejezet).
4. A berendezést tiszta és száraz helyen tárolja, felemelt vagy eltávolított kefékkel/párnatartókkal és gumitörlővel.
5. A visszanyerő tartály fedelének alátámasztásával tartsa nyitva a fedelet. Ez megakadályozza a szagok felhalmozódását a tartályban.

A HASZNÁLATON KÍVÜLI GÉP TÁROLÁSA

Ha a berendezést több mint 30 napig nem fogja használni, végezze el a következőket:

1. Végezze el az A gép használata után bekezdésben leírt eljárásokat.
2. Csatlakoztassa le az akkumulátor csatlakozóját.

A HASZNÁLAT ELSŐ IDŐSZAKA

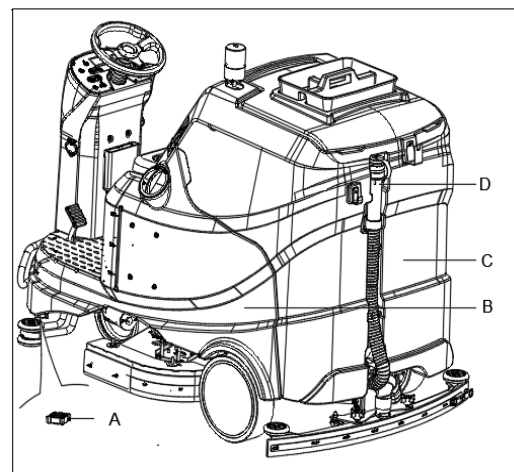
Az első 8 óra után ellenőrizze a rögzített és csatlakoztatott részek megfelelő tartását, és ellenőrizze, hogy a láthatórészeken nincs-e kopás vagy szivárgás.

KARBANTARTÁS



FIGYELMEZTETÉS!

Karbantartási munkákat kizárólag a gép kikapcsolása és az akkumulátor töltő kábel lecsatlakoztatása után lehet végrehajtani. Továbbá, figyelmesen olvassa el a biztonsági fejezeteket ebben a használati utasításban.



Ábra 15

Minden ütemezett és rendkívüli karbantartási munkát kizárólag képzett személy vagy felhatalmazott szerviz központ hajthat végre. Ez a kézikönyv csak az általános és egyszerű karbantartási folyamatokat tárgyalja.

Az alábbi karbantartási ütemezési táblázatban nem szereplő egyéb karbantartási eljárásokkal kapcsolatban kérjük, lépjen kapcsolatba a műszaki támogatási osztállyal.

ÜTEMEZETT KARBANTARTÁSI TÁBLÁZAT

**VIGYÁZAT!**

Az eljárás, melyet (1) jelöl, kötelezően elvégzendők a gép első 8 órás használata után. Az eljárás, melyet (2) jelöl, kizárólag a cégünk által képzett szerviz központunk által hajtható végre.

Folyamat	Naponta, minden használat után	Hetente	Félévente	Évente
Akkumulátor töltés				
Gumitörlő tisztítás				
Kefe/szivacstartó tisztítás				
Tartály tisztítás				
A tartály tömítésének ellenőrzése				
Törmelékgyűjtő doboz tisztítása				
Kefe/párna tisztítása				
Fröccsenésgátló tisztítása				
Gumitörlő lap ellenőrzés és csere				
Oldattartály tisztítása				
A beszívószűrő tisztítása				
Nedves akkumulátor folyadékszint ellenőrzés				
Csavar és anya szorosság ellenőrzés			(1)	
Alkalmazzon kenőolajat a forgó alkatrészekben (például féklajlat)			(1)	
Kefemotor szénkeféjének ellenőrzése vagy cseréje				(2)
Szívómotor szénkeféjének ellenőrzése vagy cseréje				(2)
Hajtórendszermotor szénkeféjének ellenőrzése vagy cseréje				(2)

INTRODUZIONE**ATTENZIONE!**

Alcune informazioni generali e dettagliate sulla macchina non sono incluse in questa guida. Consultare la GUIDA RAPIDA ALL'USO sul CD-ROM accluso leggibile con Adobe® Reader®.

**NOTA**

I numeri tra parentesi si riferiscono alle parti elencate nel capitolo Descrizione della Macchina.

SCOPO E CONTENUTI DELLA GUIDA

Il presente Manuale d'uso intende fornire l'operatore di tutte le informazioni basilari, le caratteristiche tecniche, il funzionamento, l'inattività della macchina, le parti di ricambio e le condizioni di sicurezza ecc.

Prima di effettuare un qualsiasi intervento sulla macchina, gli operatori e i tecnici qualificati devono leggere il Manuale d'uso. Contattare la nostra azienda in caso di dubbi sull'interpretazione delle istruzioni e per qualsiasi ulteriore informazione.

COME CONSERVARE IL PRESENTE MANUALE D'USO

Il Manuale d'uso deve essere riposto vicino alla macchina, in un adeguato contenitore, lontano da liquidi e da altre sostanze che potrebbero danneggiarlo.

DICHIARAZIONE DI CONFORMITÀ

La dichiarazione di Conformità viene fornita con la macchina e certifica la sua conformità alle vigenti leggi.

**NOTA**

Copie della dichiarazione originale sono fornite insieme con la documentazione relative alla macchina.

ACCESSORI E MANUTENZIONE

Tutte le necessarie operazioni, procedure di manutenzione e riparazione devono essere eseguite da personale qualificato di un nostro Centro di assistenza e di riparazione designato. È possibile utilizzare SOLO ricambi e accessori originali od omologati.

Se necessario, contattare il servizio clienti della nostra azienda per qualsiasi riparazione o acquisto di accessori e pezzi di ricambio.

MODIFICHE E MIGLIORAMENTI

Dal momento che ci proponiamo un costante miglioramento dei nostri prodotti, la società si riserva il diritto di modificare e di apportare miglioramenti alla macchina senza fornire ulteriori informazioni.

GAMMA DI APPLICAZIONI

La macchina è destinata al solo uso commerciale e industriale. È stata progettata per la pulizia di pavimenti lisci e solidi, da parte di personale qualificato in condizioni di sicurezza. Non è destinata all'uso in esterni o alla pulizia di moquette o superfici ruvide.

DATI IDENTIFICATIVI DELLA MACCHINA

Il numero di matricola della macchina e il nome del modello sono segnati sull'etichetta di serie.

Queste informazioni sono necessarie. Usare la seguente tabella per trascrivere i dati identificativi della macchina al momento della richiesta di parti di ricambio.

MODELLO DELLA MACCHINA.....
NUMERO DI MATRICOLA DELLA MACCHINA.....

TRASPORTO E DISIMBALLO

Quando il corriere consegna la macchina, assicurarsi che la confezione e la macchina siano entrambi integri e non danneggiati. In presenza di danni, avvisare il corriere del danno prima di accettare la merce, per riservarsi il diritto al risarcimento del danno.

Seguire rigorosamente le istruzioni sulla confezione quando si disimballa la macchina.

Verificare la confezione per assicurarsi che le seguenti voci siano incluse:

1. Documentazione tecnica - Manuale d'uso.
2. Componenti di collegamento della batteria.
3. Manuale del caricabatterie elettronico (se installato) (*)

SICUREZZA

Per segnalare potenziali condizioni di pericolo viene utilizzata la seguente simbologia. Leggere sempre queste informazioni con attenzione e prendere tutte le necessarie precauzioni per salvaguardare cose e persone.

SIMBOLI VISIBILI SULLA MACCHINA



AVVERTENZA!

Leggere tutte le istruzioni attentamente prima di utilizzare la macchina.



AVVERTENZA!

Non lavare la macchina con getti d'acqua diretti o pressurizzati.



AVVERTENZA!

Non utilizzare la macchina su superfici con gradiente superiore a quello indicato nelle specifiche.

SIMBOLI PRESENTI NEL MANUALE D'USO



PERICOLO!

Indica una situazione pericolosa con rischio di morte per l'operatore.



AVVERTENZA!

Indica un potenziale rischio di lesioni a persone.



ATTENZIONE!

Indica una precauzione o una nota relative a funzioni importanti o utili.
Fare attenzione ai paragrafi contrassegnati da questo simbolo.



NOTA

Indica una nota riferita a funzioni utili o importanti.



CONSULTAZIONE

Indica la necessità di consultare le istruzioni contenute nel Manuale d'Uso prima di eseguire una qualsiasi procedura.

ISTRUZIONI GENERALI DI SICUREZZA

Specifiche avvertenze e precauzioni per informarvi dei potenziali danni a persone e alla macchina sono elencate di seguito.

**PERICOLO!**

- Questa macchina deve essere utilizzata da personale autorizzato e opportunamente istruito circa le indicazioni contenute nel manuale.
- Prima di eseguire qualsiasi operazione di pulizia, manutenzione, riparazione, o sostituzione, leggere attentamente le istruzioni, assicurarsi che la macchina sia SPENTA e scollegare il connettore della batteria.
- Non operare con questa macchina in ambienti dove sono presenti polveri, liquidi o vapori nocivi, pericolosi, infiammabili e/o esplosivi: questa macchina non è adatta a raccogliere polvere pericolosa.
- Non indossare gioielli mentre si utilizza la macchina in prossimità di componenti elettrici.
- Non lavorare sotto la macchina sollevata senza adeguati sostegni fissi di sicurezza.
- Se si usano batterie ad acido (WET), queste potrebbero emettere gas infiammabili in condizioni di uso normale, pertanto occorre tenere scintille, fiamme, materiali fumanti, oggetti che irradiano calore, luce o che bruciano lontano dalle batterie.
- Durante la ricarica delle batterie al piombo (WET), le batterie potrebbero emettere gas idrogeno che può risultare esplosivo. Occorre pertanto assicurarsi che l'ambiente di ricarica sia ben ventilato e lontano da fiamme.

**AVVERTENZA!**

- La presente macchina è destinata a un USO COMMERCIALE, ad esempio in hotel, scuole, ospedali, fabbriche, negozi, uffici e attività di noleggio.
- Se lasciate incustodite, le macchine devono essere protette da movimenti accidentali.
- Per impedire l'utilizzo non autorizzato della macchina, è necessario disattivare o bloccare l'alimentazione, rimuovendo ad esempio la chiave dell'interruttore generale o di accensione.
- Verificare con attenzione la macchina prima di ogni utilizzo. Assicurarsi che tutti i componenti siano stati correttamente fissati prima dell'uso. In caso contrario possono causare danni a persone e proprietà.
- Non spostare mai la macchina tirando il cavo del caricabatterie. Non far passare il cavo attraverso una porta chiusa o non avvolgere il cavo intorno a bordi o angoli taglienti. Non far passare la macchina sopra il cavo del caricabatterie. Tenere il cavo del caricabatterie lontano da superfici calde.
- Non caricare le batterie se il cavo di ricarica o la spina sono danneggiati.
- Per ridurre il rischio di incendio, scosse elettriche o lesioni, assicurarsi che la macchina sia spenta prima di andarsene.
- Usare o riporre la macchina al chiuso in condizioni asciutte; la macchina non è progettata per uso in esterni.
- La temperatura sia di lavoro che di conservazione della macchina deve essere compresa tra 0 °C e +40 °C, l'umidità dell'aria deve essere compresa tra 30% e 95%.
- Non usare la macchina su superfici con gradiente superiore a quello indicato.
- Nell'utilizzare detergenti per pavimenti, attenersi alle istruzioni e alle avvertenze indicate sulle etichette dei flaconi e indossare appositi guanti e altri dispositivi di protezione.
- Usare spazzole e feltri forniti con la macchina o indicate nel manuale. L'utilizzo di spazzole o di feltri diversi potrebbe ridurre la sicurezza.
- Qualora dovessero riscontrarsi anomalie nel funzionamento della macchina, accertarsi che non dipendano dalla mancata manutenzione. Se necessario, richiedere assistenza a personale autorizzato oppure al Centro di assistenza autorizzato.
- Prendere le opportune precauzioni affinché i capelli, i gioielli, le parti non aderenti degli abiti, non vengano catturati dalle parti in movimento della macchina.
- Non usare la macchina in ambienti particolarmente polverosi.

- Non lavare la macchina con getti d'acqua diretti o pressurizzati o con sostanze corrosive.
- Non urtare scaffalature o impalcature, soprattutto se esiste il pericolo di caduta oggetti.
- Non appoggiare contenitori di liquidi sulla macchina, utilizzare l'apposita sede portaoggetti.
- Per evitare di danneggiare il pavimento, non permettere che la spazzola/feltro sia in funzione a macchina ferma.
- In caso di incendio usare l'estintore a polvere e non uno a liquidi.
- Non rimuovere o modificare le etichette sulla macchina.
- Non alterare i dispositivi di sicurezza della macchina e seguire scrupolosamente le istruzioni per la manutenzione programmata.
- Durante i trasferimenti della macchina con temperature inferiori al punto di congelamento, prestare attenzione in quanto l'acqua, presente nel serbatoio acqua di recupero o nei tubi, potrebbe congelare e danneggiare seriamente la macchina.
- Se alcuni componenti necessitano di essere sostituiti, ordinare ricambi ORIGINALI presso Fornitori o Rivenditori Autorizzati.
- Se la macchina non funziona correttamente o è danneggiata, portarla presso un Centro di assistenza.
- Per garantire un funzionamento appropriato e sicuro della macchina, la manutenzione programmata indicata nell'apposito capitolo di questo Manuale deve essere puntualmente eseguita da personale autorizzato o presso fornitori o rivenditori autorizzati.
- La macchina deve essere smaltita correttamente, per la presenza di materiali tossici-dannosi (batterie, ecc.) che sono soggetti ad apposita normativa e che richiedono lo smaltimento in centri specializzati (vedere capitolo Smaltimento).
- La presente macchina è esclusivamente uno strumento per la pulizia e non è destinata a utilizzi diversi.
- Mantenere le aperture della macchina libere da polvere, filaccia, peli e qualsiasi altro corpo estraneo che possa ridurre la ventilazione. Non usare la macchina se le aperture sono ostruite.
- Usare la macchina solo dove sia disponibile un'opportuna illuminazione.
- questa macchina non è destinata all'uso da parte di persone (compresi i bambini) con ridotte capacità fisiche, sensoriali o mentali o prive di esperienza e formazione.
- Porre estrema attenzione quando la si usa vicino ai bambini.
- I bambini dovrebbero essere supervisionati per assicurarsi che non giochino con la macchina.
- Mentre si usa la macchina, assicurarsi di non causare danni a persone o oggetti.
- La pulizia e la manutenzione della macchina non possono essere eseguite da bambini senza adeguata supervisione.
- Gli operatori devono ricevere adeguate istruzioni per l'utilizzo di queste macchine.
- Non utilizzare la macchina senza una struttura di protezione contro la caduta di oggetti dall'alto (FOPS) in aree in cui è possibile la caduta di oggetti dall'alto.

DESCRIZIONE DELLA MACCHINA

STRUTTURA DELLA MACCHINA* - opzionale

1. Sterzo
2. Sedile, regolabile
(con interruttore di sicurezza)
3. Segnalazione luminosa
4. Contenitore portaoggetti (*)
5. Coperchio del serbatoio acqua di recupero
6. Gancio
7. Chiavistello (x2)
8. Serbatoio acqua di recupero
9. Coperchio del filtro
10. Supporto tubo flessibile del filtro
11. Supporto del filtro
12. Serbatoio soluzione detergente
13. Tubo livello dell'acqua
14. Ruote motrici
(con freno meccanico)
15. Paraspruzzi laterali
16. Supporto spazzole
17. Pompa
18. Ruote paracolpi
19. Tappo scarico serbatoio soluzione detergente
20. Ruote anteriori
21. Luci anteriori
22. Filtro soluzione detergente
23. Paraurti frontale
24. Valvola di intercettazione soluzione
25. Pedale freno meccanico
26. Coperchio portaoggetti interno
27. Porta di ricarica USB
28. Pannello di controllo
29. Interruttore di emergenza
30. Portabicchiere
31. Cavo supporto serbatoio acqua di recupero
32. Pedale acceleratore
33. Arresto installazione azionamento spazzola/portafeltri
34. Manopole tergitore
35. Manopola per regolazione angolo tergitore
36. Tubo di aspirazione tergitore
37. Tergitore
38. Tubo di scarico acqua di recupero
39. Gancio del tergitore
40. Vano di raccolta detriti
41. Filtro aspirazione
42. Guarnizione coperchio serbatoio
43. Batterie (N/D)
44. Vassoio batteria (*)
45. Impianto di aspirazione
46. Impianto a doppia aspirazione (*)

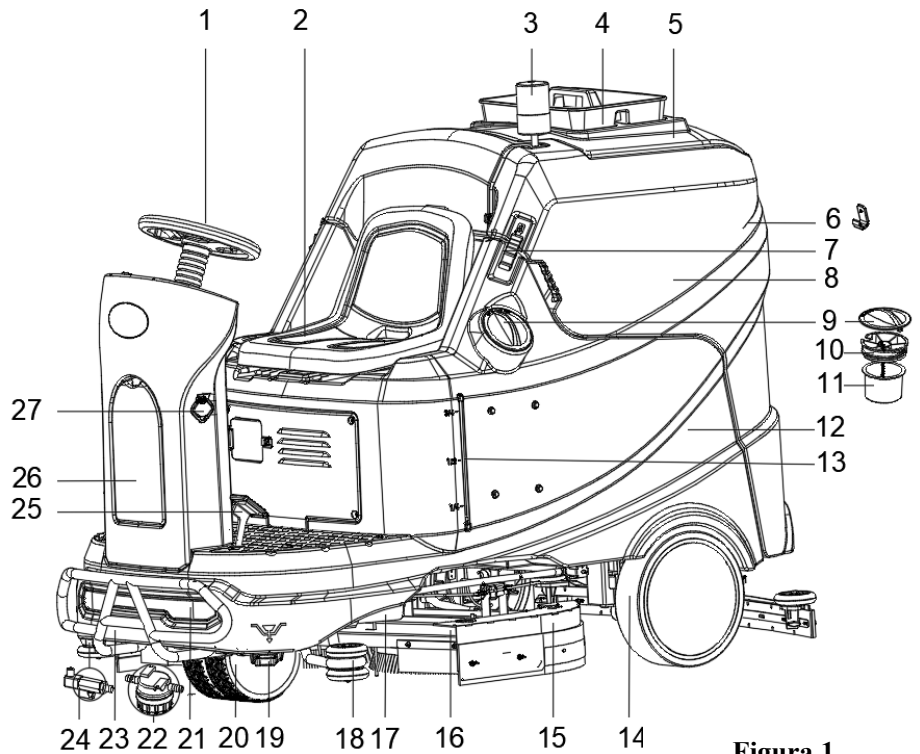


Figura 1

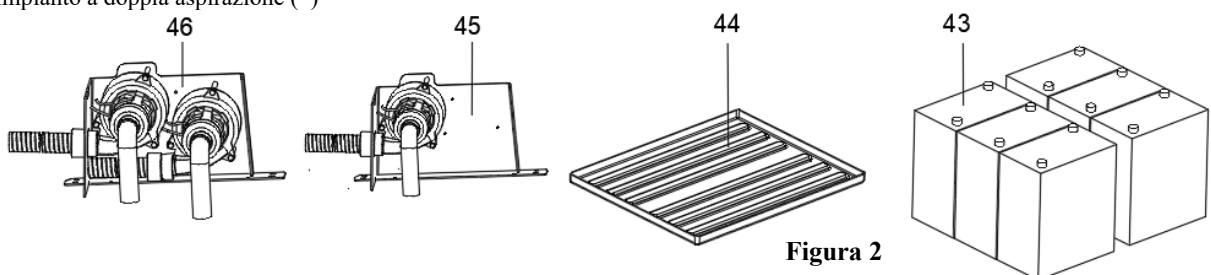
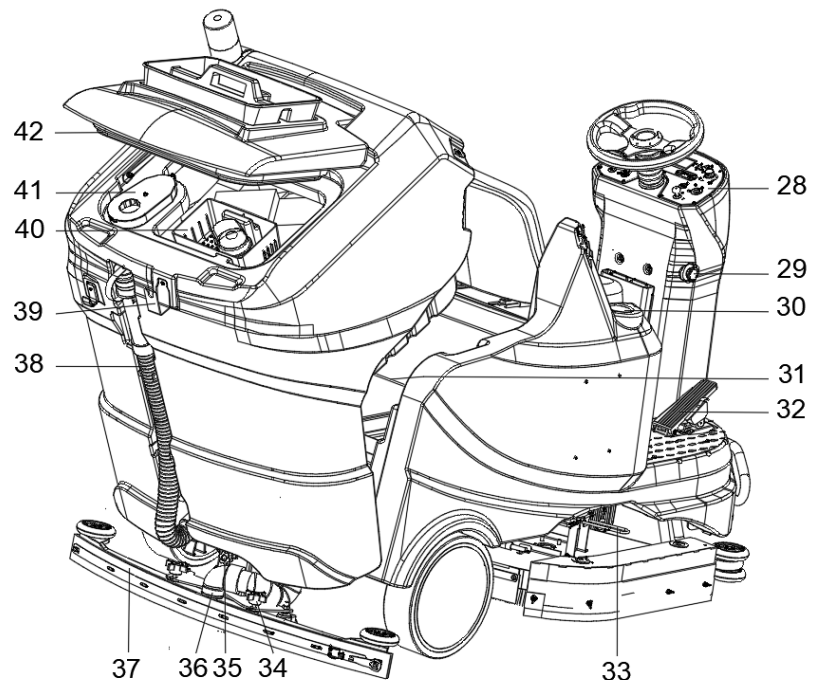


Figura 2

PANNELLO DI CONTROLLO (come illustrato)

47. Display multifunzione
Visualizzazioni:
A) Tipologia batterie
B) Livello di carica batterie
C) Ore lavoro
D) Modalità ECO
E) Modalità aspirazione normale
F) Modalità aspirazione silenziosa
G) Modalità retromarcia
H) Pressione supplementare attiva
I) Quantità flusso soluzione detergente
J) Modalità lavoro spazzola
K) Modalità aspirazione
L) Interruttore di sicurezza sedile
48. Indicatore serbatoio acqua di recupero pieno/serbatoio soluzione detergente vuoto
49. Manopola di regolazione della velocità
50. Pulsanti di regolazione flusso soluzione detergente
51. Pulsante di avviamento unico
·LED acceso, pulsante funzione attivato
·impianto dell'acqua (livello 2)
·pressione al minimo (livello 1)
·impianto di aspirazione normale
52. Pulsante avanti/indietro
53. Chiave di accensione (0=ON I=OFF)
54. Pulsante regolazione impianto di aspirazione (per l'attivazione premere il pulsante per 1 secondo)
·LED acceso fisso: modalità normale
·LED lampeggiante: modalità silenziosa
55. Pulsante modalità ECO
·LED acceso, pulsante funzione attivato
·flusso dell'acqua al minimo (livello 1)
·pressione al minimo (livello 1)
·Aspirazione in modalità silenziosa
56. Scatto ON/OFF spazzola/portafeltro
·LED lampeggiante: scatto su ON attivato
57. Pulsanti di regolazione pressione della spazzola
58. Clacson
59. Pulsante luce anteriore
60. Coperchio della presa del caricabatteria
61. Protezioni da sovraccarico motori delle spazzole (30 A)
62. Protezioni da sovraccarico sollevamento delle spazzole (3 A)
63. Presa del caricabatteria
64. Protezione sovraccarico circuito di controllo principale (5 A)
65. Protezione da sovraccarico motori aspirazione (30 A)
66. Protezione da sovraccarico sollevatore tergicore (3 A)

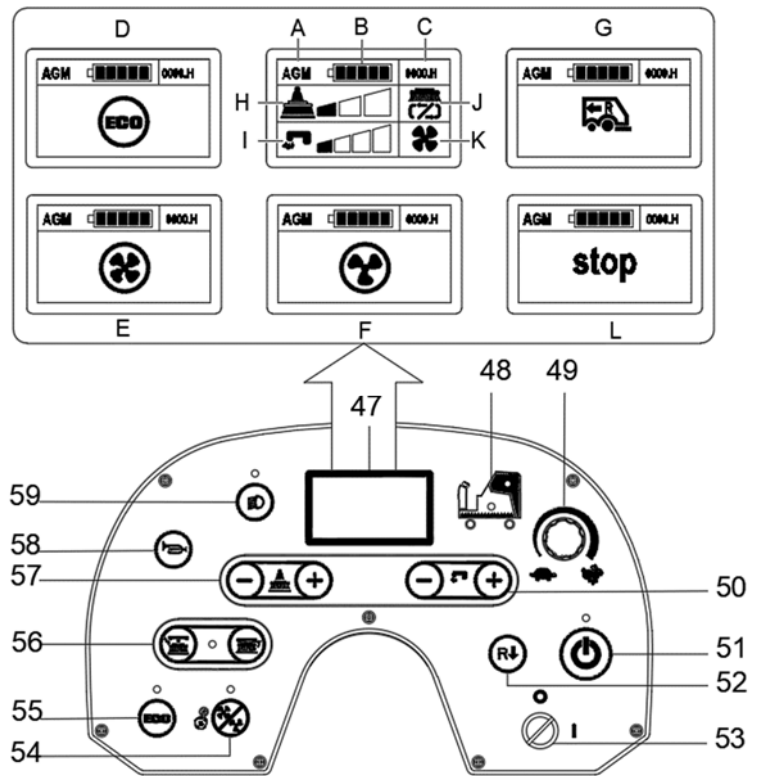


Figura 3

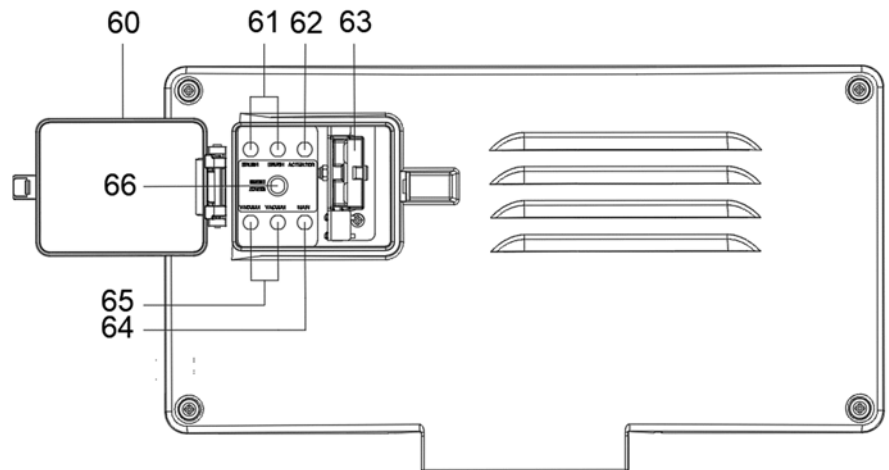


Figura 4

PARAMETRI TECNICI

Tipologia parametro	AS1050R
Voltaggio	36 V
Potenza nominale (INGRESSO)	125 A/4500 W
Grado di protezione IP	IP24
Capacità serbatoio soluzione detergente	200 L/53 gal.
Capacità serbatoio acqua di recupero	200 L/53 gal.
Larghezza lavaggio	980mm/35,58 poll.
Diametro spazzola/feltro	2 da 508 mm/2 da 20 poll.
Pressione spazzola/feltro (max)	90 kg/198 lb
Potenza motore spazzole (INGRESSO)	2 da 1000 Watt /2 da 1.3 CV
Velocità di rotazione spazzola in modalità normale	240 giri/min.
Velocità di rotazione spazzola in modalità ECO	175 giri/min.
Flusso soluzione detergente (max) per impostazione/minuto	(1,6/2,3/3,3/4,6) litri/0,42/0,61/0,87/1,22 gal.
Livello di pressione acustica (un motore aspirazione)	72 ± 3 dB (A)
Livello di pressione acustica (due motori aspirazione) (*)	75 ± 3 dB (A)
Livello pressione acustica in modalità ECO o in modalità silenziosa	69 ± 3 dB (A)
Potenza del motore di aspirazione	600 W/0,8 hp
Ricarica USB	5 V 2,4 A MAX.
Produttività (max)	7840 m ² /h/84389 ft ² /h
Velocità di Lavoro	0 – 8 km/0 – 5 miglia orari
Velocità in marcia avanti	0 – 8 km/0 – 5 miglia orari
Velocità in retromarcia	0 – 5 km/0 – 3,1 miglia orari
Potenza motore di trazione (INGRESSO)	1600 W/2,1 hp
Svolta passaggio min.	2650mm/104 poll.
Capacità di salita (max) trasporto	20%
Capacità di salita (max) lavoro	16%
Diametro ruote di trazione	340mm/13,4 poll.
Pressione specifica al suolo ruote di trazione	0,68 N/mm ²
Diametro ruota frontale	250 mm/10 poll.
Pressione specifica al suolo ruote anteriori	0,62 N/mm ²
Livello vibrazioni (max)	< 2,5 m/s ²
Dimensioni vano batterie senza vassoio (L x P x A)	(680x560x450) mm/26,7 x 22 x 17,7 pollici
Dimensioni vano batterie con vassoio (L x P x A) (*)	(665x550x430) mm/26,1 x 21,6 x 16,9 pollici
Lunghezza della macchina senza paraurti anteriore	1875mm/73,8 poll.
Larghezza macchina senza tergitoro	1077mm/42,4 poll.
Altezza macchina	1350 mm/53 poll.
Altezza macchina(Con tetto di protezione)	1955 mm/77 poll.
Peso della macchina con i serbatoi vuoti (senza batterie)	398 kg/853,6 lb
Peso totale macchina GVW (Gross Vehicle Weight)	870 kg/1914 lb
Peso totale macchina GVW (Gross Vehicle Weight) (Con tetto di protezione)	897 kg/1973 lb
Peso di spedizione	490 kg/1078 lb
Dimensioni imballaggio (L x P x A)	(2110 x 1220 x 1535 mm)/(83 x 48 x 60,4 pollici)

(*) : Opzionale

GUIDA OPERATIVA

**AVVERTENZA!**

In alcuni punti della macchina ci sono etichette adesive che indicano:

- PERICOLO!
- AVVERTENZA!
- ATTENZIONE!
- CONSULTAZIONE

Durante la lettura del presente manuale, l'operatore deve prestare attenzione ai simboli delle targhette. Non coprire le targhette per nessuna ragione e sostituirle immediatamente nel caso in cui vengano danneggiate.

VERIFICA/IMPOSTAZIONE DELLA BATTERIA SU MACCHINA NUOVA

**AVVERTENZA!**

I componenti elettrici della macchina possono subire gravi danni in caso di installazione o di collegamento non corretto delle batterie. Le batterie devono essere montate unicamente da personale qualificato. Impostare il tipo di batteria utilizzando la seguente procedura in base al tipo di batteria utilizzato (batterie WET o GEL/AGM/DIS/ENE). Prima dell'installazione controllare lo stato di integrità delle batterie. Scollegare il connettore delle batterie e la spina del caricatore delle batterie. Maneggiare le batterie con estrema cura. Montare i tappi di protezione dei terminali delle batterie forniti con la macchina.

**NOTA**

La macchina necessita di sei batterie da 6 V, collegate e installate nelle posizioni indicate in Figura 5.

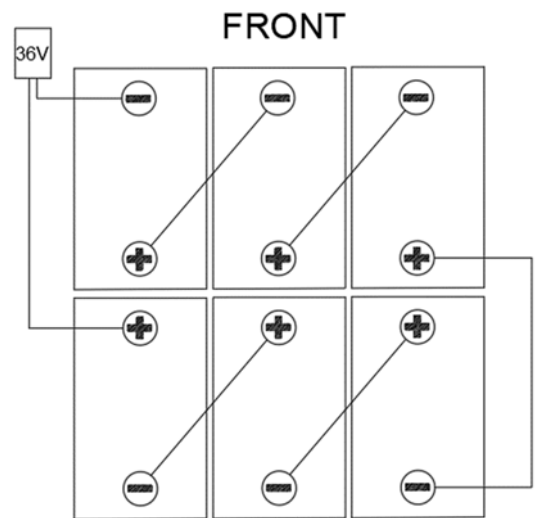


Figura 5

Batterie montate sulla macchina e pronte all'uso

1. Controllare che il connettore della batteria sia collegato.
2. Al primo utilizzo della macchina con batterie nuove, eseguire un ciclo di ricarica completa delle batterie (vedere procedura al capitolo Manutenzione).

Senza batterie

1. Acquistare le batterie adeguate (consultare il paragrafo "Dati tecnici"). Per la scelta e l'installazione della batteria, rivolgersi ai rivenditori di batterie qualificati.
2. Impostare il tipo di batteria utilizzando la procedura di seguito riportata.

INSTALLAZIONE DELLE BATTERIE E IMPOSTAZIONE DEL TIPO DI BATTERIE (WET/GEL/AGM/DIS/ENE)**Installazione delle batterie**

1. Aprire il chiavistello sinistro e destro (7, Figura 1).
2. Aprire il coperchio del serbatoio acqua di recupero (1, Figura 1) e verificare che il serbatoio acqua di recupero (8, Figura 8) sia vuoto; altrimenti svuotarlo con il tubo di scarico (38, Figura 2).
3. Richiudere il coperchio del serbatoio acqua di recupero (5, Figura 1)
4. Sollevare delicatamente il serbatoio acqua di recupero (8, Figura 1)
5. Scollegare il cavo del serbatoio dell'acqua di recupero e rimuovere l'intero gruppo del serbatoio dell'acqua di recupero.
6. Rimuovere una vite del cavo di supporto del serbatoio dell'acqua di recupero (31, Figura 2) e ruotare indietro.
7. Rimuovere le quattro viti poste sul fondo del serbatoio dell'acqua di recupero.
La macchina è dotata di cavi adeguati all'installazione di sei batterie da 6 V. Inserire le batterie con cura nello scomparto, quindi installarle correttamente come mostrato nella Figura 5. Sistemare la targhetta fissa della batteria correttamente.
8. Installare il cavo della batteria come mostrato in Figura 5, quindi serrare con cura il dado su ciascun terminale della batteria.

9. Collocare il cappuccio di protezione su ciascun terminale, quindi collegare il connettore della batteria alla macchina.
10. Montare l'intero gruppo del serbatoio dell'acqua di recupero nell'ordine inverso rispetto allo smontaggio.
11. Abbassare con cura il serbatoio dell'acqua di recupero.

Impostazione del tipo di batteria (WET/GEL/AGM/DIS/ENE)

Accedere per selezionare la modalità delle batterie

In base alla tipologia di batterie (WET/GEL/AGM/DIS/ENE), impostare la macchina nel modo seguente:

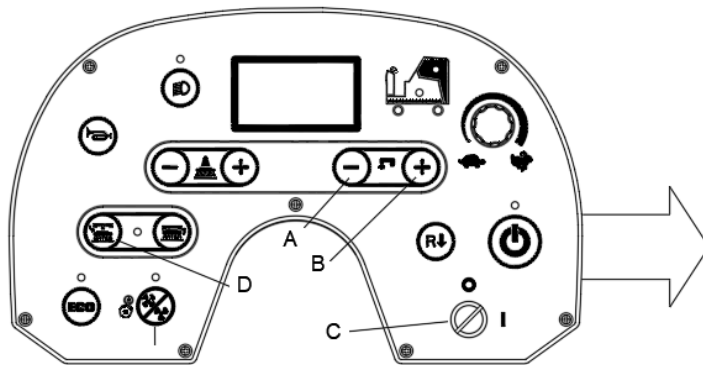
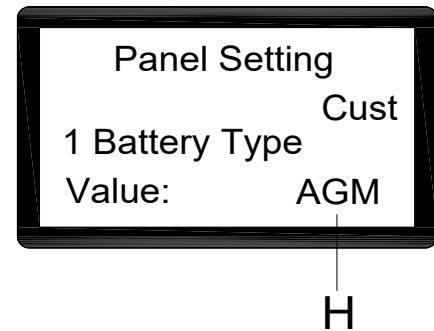


Figura 6

Access to select battery mode



1. Premere contemporaneamente il pulsante del flusso d'acqua "-" (A, Figura 6) e "+" (B, Figura 6).
2. Inserire la chiave di accensione (C, Figura 6) e portarla su "I".
3. Trascorsi alcuni secondi accedere alla schermata di selezione della modalità batteria (Figura 6).
4. Premere il pulsante del flusso d'acqua "-" (A, Figura 6) e "+" (B, Figura 6) per selezionare la modalità batteria (H, Figura 6).
5. Premere il pulsante di sgancio (D, Figura 6), Dopo 3 secondi viene visualizzato "Update OK" (Aggiornamento OK) che significa che l'impostazione è riuscita, riavviare la macchina. (C, Figura 6).

Ricarica delle batterie

Eseguire un ciclo di ricarica completa delle batterie (vedere la procedura al capitolo Manutenzione).

Esaurimento della batteria

Quando l'indicatore delle batterie indica pieno (G, Figura 7), le batterie sono completamente cariche. Se l'indicatore della batteria indica un livello basso (H, Figura 7), è necessario ricaricare le batterie. Trascorsi alcuni secondi dalla visualizzazione dell'indicatore di carica bassa della batteria, si spegne automaticamente il motore delle spazzole, mentre l'impianto di trazione rimane acceso. Portare immediatamente la macchina nella zona di ricarica designata.



Figura 7

INSTALLAZIONE E RIMOZIONE DELLA SPAZZOLA/PORTAFELTRO



NOTA

Installare le spazzole (A, Figura 8) o i portafeltro (B e C, Figura 8) a seconda del tipo di pavimento da pulire.



ATTENZIONE!

Prima dell'installazione o della rimozione di spazzole o portafeltro, assicurarsi che tutti gli interruttori della macchina siano in posizione OFF e che il tergicore sia sollevato dal pavimento. L'operatore deve indossare adeguati dispositivi di protezione personale come guanti, per ridurre il rischio di incidenti.

Procedere come segue:

INSTALLAZIONE:

1. Inserire la chiave di accensione (53, Figura 3) e portarla su "I". Sollevare la testata.
2. Posizionare le spazzole (A, Figura 8) o i portafeltro (B, Figura 8) sotto la testata. Utilizzare il fermo di installazione della spazzola (D, Figura 8) per aiutare a trovare la corretta posizione della spazzola/portafeltro.
3. Installare la spazzola/portafeltro premendo il pulsante a scatto della spazzola/portafeltro (F, Figura 8), la spazzola/portafeltro verrà installata automaticamente. Viene mostrato il senso di rotazione (Figura 8). La spia LED lampeggia.

RIMOZIONE:

1. Inserire la chiave di accensione (53, Figura 3) e portarla su "I". Accertarsi che la spazzola/portafeltro si trovi in posizione sollevata (IN ALTO). Rimuovere la spazzola/portafeltro premendo il pulsante di sgancio della spazzola/portafeltro (E, Figura 8), la spazzola/portafeltro si sgancia automaticamente. La spia LED rimane accesa fissa.

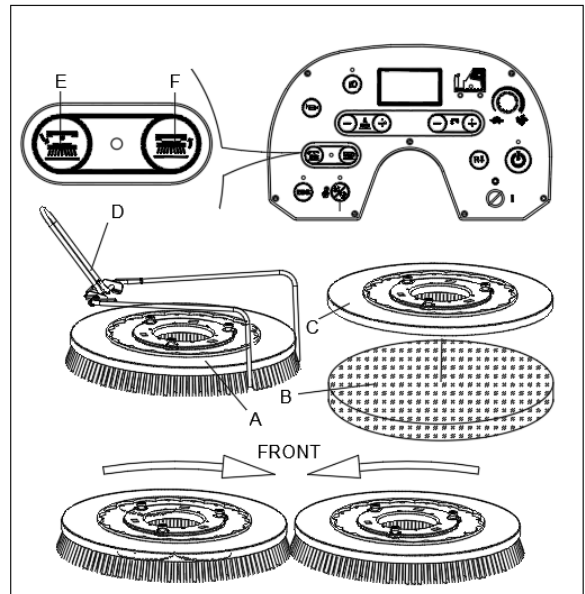


Figura 8

Se si preme il pulsante di spegnimento della spazzola e poi il pulsante di accensione, è necessario disinserire e reinserire l'accensione, quindi la macchina può funzionare di nuovo.

REGOLAZIONE DEL BILANCIAMENTO DEI PARASPRUZZI LATERALI

L'altezza dei paraspruzzi deve essere monitorata e regolata. Durante la pulizia con la macchina verificare le prestazioni dei paraspruzzi laterali.

- A. Se i paraspruzzi sono troppo alti, lo spazio tra il paraspruzzi (D) e il pavimento lascerà acqua sul pavimento durante le virate.
- B. Se i paraspruzzi sono troppo bassi, il paraspruzzi (D) si allontana eccessivamente, lasciando acqua durante le virate e riducendo la durata dei paraspruzzi.
- C. La regolazione corretta avviene quando i paraspruzzi toccano leggermente il pavimento dalla parte anteriore a quella posteriore dei paraspruzzi.

Procedere alla regolazione nel modo seguente:

1. Accertarsi che la testata sia in posizione sollevata (IN ALTO).
2. Allentare i dadi di ritenuta superiori (A) e smontare il gruppo paraspruzzi.
3. Regolare in alto/in basso i dadi di ritenuta inferiori (B).
4. Reinstallare il gruppo paraspruzzi e verificare la regolazione.
5. Ripetere i punti 3 e 4 come richiesto fino a quando la regolazione dei paraspruzzi è corretta.
6. Serrare i dadi di ritenuta superiori (A) per fissare la regolazione.
7. Ripetere la procedura sul paraspruzzi laterale opposto.

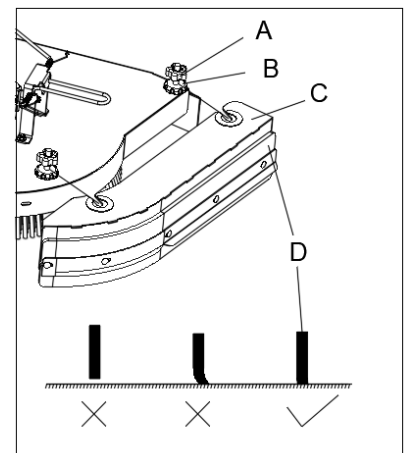


Figura 9

REGOLAZIONE DEL BILANCIAMENTO DEL TERGITORE

1. Installare il tergitoro e serrare i dadi (C, Figura 10), quindi collegare il tubo flessibile dell'aspirazione (B) al tergitoro.
2. Regolare il tergitoro mediante la manopola di regolazione del tergitoro (A).
 - a) In presenza di uno spazio tra il pavimento e la parte mediana della gomma del tergitoro posteriore (E), regolare la manopola (A) in senso orario (H) fino a quando tutte le sezioni della gomma del tergitoro posteriore sono bene a contatto con il pavimento e la gomma anteriore tocca leggermente il pavimento.
 - b) In presenza di uno spazio tra il pavimento e le due estremità della gomma posteriore (D ed F), regolare la manopola (A) in senso antiorario (G) fino a quando tutte le sezioni della gomma del tergitoro posteriore sono bene a contatto con il pavimento e la gomma anteriore tocca leggermente il pavimento.

Se necessario, regolare l'intera altezza del tergitoro regolando l'altezza della rotella (K).

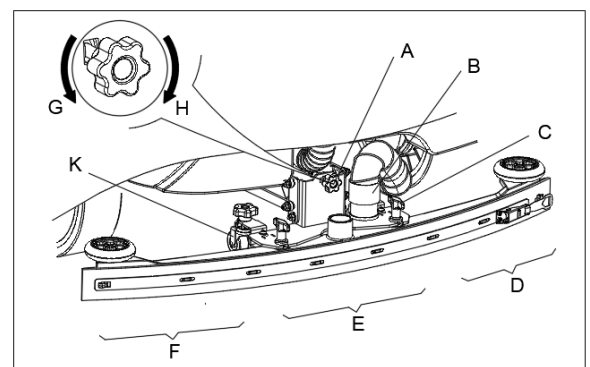


Figura 10

RIEMPIMENTO DEL SERBATOIO DELLA SOLUZIONE DETERGENTE

1. Aprire il coperchio di ingresso dell'acqua (A, Figura 11).
2. Riempire con acqua o con una soluzione detergente adatta al lavoro da eseguire attraverso l'ingresso dell'acqua con filtro.
La temperatura della soluzione detergente non deve superare $+104\text{ F }(+40^{\circ}\text{C})$.
3. Non riempire troppo il serbatoio, fare riferimento all'indicatore del livello dell'acqua (D) per il volume dell'acqua.



AVVERTENZA!

Usare solo detersivi a bassa schiuma e non infiammabili, appositi per macchine di pulizia automatiche.

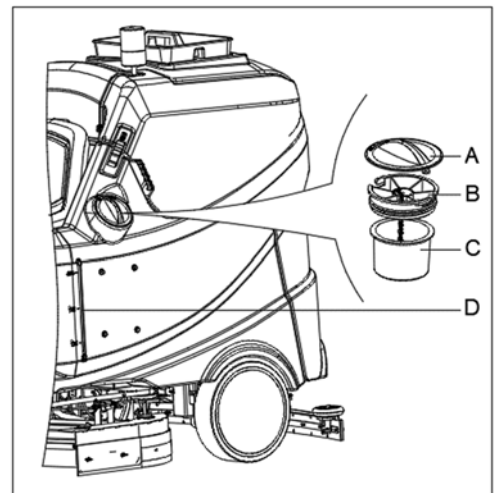


Figura 11

ISPEZIONE DEL MOTORE DI TRAZIONE E DEL FRENO MECCANICO

1. Ruotare la chiave di accensione (A Figura 12) su "I", sedersi sul sedile (C).
2. Abbassare il pedale di accelerazione (D) leggermente quindi rilasciarlo per verificare che è possibile manovrare e arrestare la macchina.
3. Per garantire la sicurezza, confermare che la macchina può essere arrestata immediatamente quando si preme il pulsante di emergenza (B). Ruotare il pulsante di emergenza per resettarlo.
4. Abbassare rapidamente il pedale del freno meccanico (F) per verificare se la macchina può essere arrestata immediatamente.

AVVERTENZA!

La capacità di esercizio in salita non deve superare il 16%. Quando si lavora in pendenza, deve mantenere i fermi del serbatoio (7 Figura 1) innestati. Per motivi di sicurezza, non fermarla mai in pendenza.



Quando si sale su una pendenza con inclinazione massima del 20%, regolare in anticipo il potenziometro di limitazione della velocità nella posizione di velocità massima. Spingere il pedale dell'acceleratore al massimo quando si percorre un tratto in salita.

Quando si lavora su una pendenza con inclinazione massima del 16%, regolare in anticipo il potenziometro di limitazione della velocità nella posizione di velocità massima. Se sul display è visualizzato "Error 4, Tra Overload", regolare la pressione della spazzola all'impostazione più bassa.

Se si riscontra che la velocità della macchina è sempre più lenta e vicina allo stato di arresto mentre si percorre un tratto in salita e sul display è visualizzato "Error 4, Tra Overload", rilasciare immediatamente il pedale dell'acceleratore e premere il freno meccanico.

Se "Error 4, Tra Overload" viene visualizzato mentre si percorre un tratto in salita, fermarsi immediatamente e premere il freno meccanico, spegnere il commutatore di accensione, quindi ruotare la chiave per riavviare e rinunciare all'operazione di salita. Regolare il potenziometro di limitazione della velocità sulla bassa velocità, quindi premere il pulsante indietro, rilasciare il freno meccanico, premere delicatamente l'acceleratore in modo che la macchina possa muoversi lentamente all'indietro fino a raggiungere un'inclinazione inferiore.

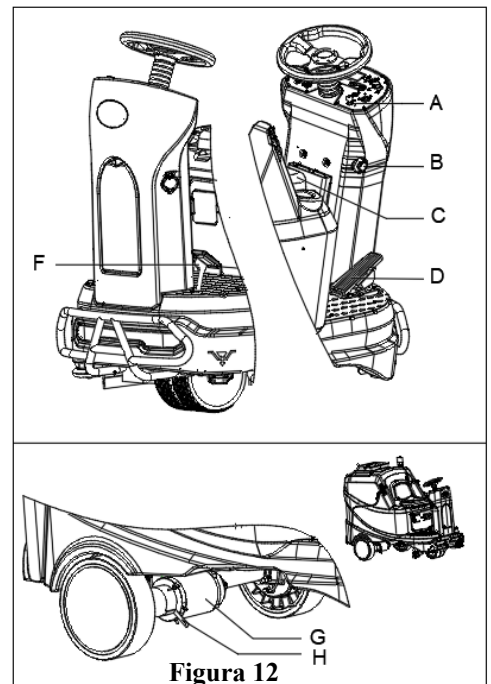


Figura 12



ATTENZIONE

Il freno del motore di trazione viene rilasciato quando il motore funziona normalmente, si blocca quando il motore è spento. In alcuni casi particolari, come durante l'imballaggio/disimballaggio della macchina, un guasto della macchina, ecc., potrebbe essere necessario spingere la macchina. Sul motore di trazione (G Figura 12) spingere verso il basso la maniglia del freno (H Figura 12), il freno della macchina viene rilasciato e la macchina può essere spostata. Dopo il completamento, riportare la maniglia verso l'alto, in modo che la macchina possa funzionare.

AVVIAMENTO E SPEGNIMENTO DELLA MACCHINA

Avviamento della macchina

1. Preparare la macchina come indicato nel paragrafo precedente.

2. Sedersi sul sedile (K, Figura 13), inserire la chiave di accensione (J, Figura 13) e portarla su "I". Controllare lo stato delle batterie dalla schermata del display. Se necessario, ricaricare le batterie (vedere la procedura nel capitolo Manutenzione).
3. Portare la macchina nella zona di lavoro.

La direzione avanti/indietro è controllabile tramite l'interruttore (H, Figura 13). È possibile regolare la velocità tramite il regolatore (E, Figura 13).

4. Premere il pulsante di avviamento unico (G, Figura 13) per avviare la macchina, il tergicore e le spazzole si abbassano automaticamente al pavimento e il motore di aspirazione inizia a funzionare.
5. Premere i pulsanti di regolazione del flusso della soluzione detergente (F, Figura 13) secondo necessità, in base al tipo di lavaggio da eseguire.
6. Abbassare il pedale dell'acceleratore (Q, Figura 13) e iniziare la pulizia.
7. È possibile ricaricare il cellulare o il tablet tramite la porta di ricarica USB (M, Figura 13) quando la chiave di accensione (J, Figura 13) viene ruotata su "I".
8. Premere il clacson (B, Figura 13) per allertare le persone, se necessario.
9. Se necessario, premere il pulsante di emergenza (N, Figura 13) per l'arresto in emergenza della macchina.
10. Se necessario premere il pulsante delle luci anteriori (C, Figura 13) per le zone buie o per avvertire i pedoni.
11. Se necessario, regolare il sedile (K, Figura 13) ruotando verso destra la maniglia situata a destra del sedile, quindi far scorrere il sedile nella posizione corretta.



NOTA

Il motore delle spazzole, il motore dell'aspirazione, il motore di trazione e del circuito di controllo sono protetti dalla protezione da sovraccarico (P, Figura 13). Quando si attiva la protezione, non ripristinarla immediatamente senza aver trovato la causa del problema e assicurarsi che il motore si raffreddi prima del ripristino.

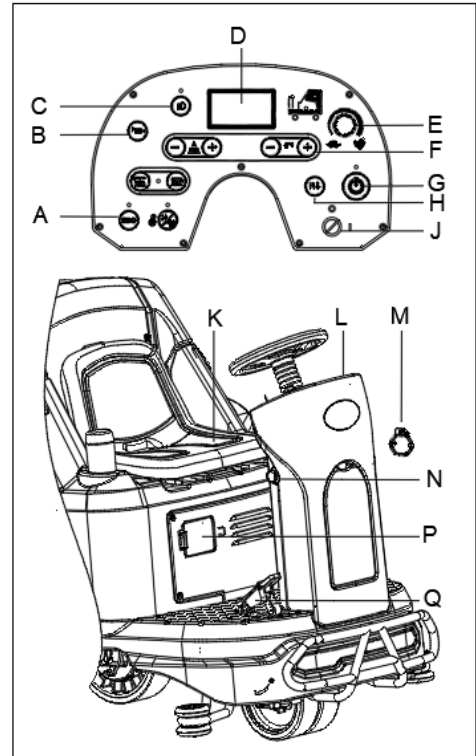


Figura 13

Arresto della macchina

12. Rilasciando il pedale dell'acceleratore (Q, Figura 13) la macchina interrompe il funzionamento.
13. Premere il pulsante di avviamento unico (G, Figura 13) per arrestare le spazzole e il motore di aspirazione. Le spazzole e il tergicore si sollevano automaticamente dal pavimento. Il sistema di aspirazione si spegnerà entro pochi secondi.
14. Portare la chiave di accensione su "0".
15. Assicurarsi che la macchina non possa muoversi autonomamente.

FUNZIONAMENTO DELLA MACCHINA (LAVAGGIO E ASCIUGATURA)

1. Avviare la macchina secondo le procedure illustrate nei precedenti paragrafi.
2. Iniziare la pulizia seguendo le procedure indicate nella sezione "Avviamento della macchina".
3. Se necessario, fermare la macchina per regolare i paraspruzzi laterali come indicato nella sezione "Regolazione del bilanciamento dei paraspruzzi laterali".
4. Se necessario, fermare la macchina per regolare il tergicore come indicato nella sezione "Regolazione del bilanciamento del tergicore".



NOTA

Per un corretto lavaggio/asciugatura dei pavimenti lungo le pareti, si consiglia di avvicinarsi alle pareti con il lato destro della macchina (Figura 14) come mostrato in figura.

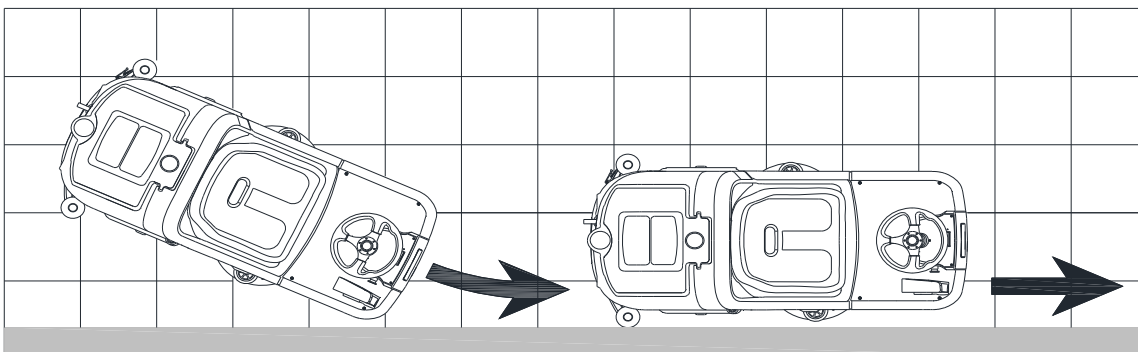


Figura 14

SVUOTAMENTO DEL SERBATOIO

Svuotamento del serbatoio acqua di recupero

Quando il display multifunzione (47, Figura 3) mostra ERROR24 e l'indicatore del pieno del serbatoio dell'acqua di recupero (48, Figura 3) è acceso, ciò indica che il serbatoio dell'acqua di recupero (C, Figura 15) è pieno e il motore di aspirazione non è più in grado di asciugare il pavimento. Svuotare il serbatoio dell'acqua di recupero come segue:

1. * Fermare la macchina.
2. Sollevare la testata spazzole/portafeltro e il tergitore premendo il pulsante di avviamento unico (51, Figura 3).
3. Portare la macchina nella zona di smaltimento designata.
4. Svuotare il serbatoio dell'acqua di recupero con il tubo flessibile (D, Figura 15). Quindi, sciacquare il serbatoio dell'acqua di recupero (C, Figura 15) con acqua pulita.



ATTENZIONE!

Quando si scaricano le acque reflue, mantenere alto il tubo di scarico e ripiegare la sezione superiore per evitare versamenti sull'operatore.

Svuotare il serbatoio della soluzione detergente/acqua pulita

1. Svuotare il serbatoio della soluzione detergente dal coperchio di uscita (A, Figura 15). A fine lavoro, sciacquare il serbatoio con acqua pulita.

DOPO L'USO DELLA MACCHINA

A fine lavoro, prima di riporre la macchina:

1. Rimuovere le spazzole/portafeltro premendo il pulsante di sgancio sinistro (56, Figura 3) e pulirle.
2. Svuotare i serbatoi (B e C, Figura 15) come indicato nel paragrafo precedente.
3. Eseguire le procedure di manutenzione quotidiana (vedere il capitolo Manutenzione).
4. Riporre la macchina in un luogo asciutto e pulito, con le spazzole/portafeltro e il tergitore sollevati o rimossi.
5. Utilizzare il supporto del coperchio del serbatoio dell'acqua di recupero per tenere il coperchio aperto. Ciò aiuterà a prevenire l'accumulo di odori all'interno.

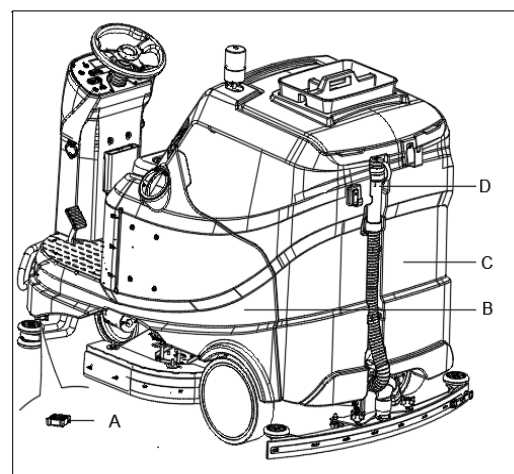


Figura 15

CONSERVAZIONE DELLA MACCHINA PER PERIODI PROLUNGATI DI INATTIVITÀ

Se la macchina non verrà usata per più di 30 giorni, procedere come segue:

1. Eseguire le procedure mostrate nel paragrafo "Dopo l'uso della macchina".
2. Scollegare il connettore della batteria.

PRIMO PERIODO D'USO

Dopo le prime 8 ore, verificare il fissaggio e la connessione delle parti della macchina per assicurarsi che siano salde e verificare che non ci siano visibili segni di usura o perdite.

MANUTENZIONE



AVVERTENZA!

Le procedure di manutenzione devono essere eseguite dopo che la macchina è stata spenta e il cavo del caricabatterie è stato scollegato. Inoltre, leggere attentamente i capitoli sulla sicurezza delle presenti istruzioni.

Tutte le procedure di manutenzione straordinaria o programmata devono essere eseguite da personale qualificato o da un Centro di assistenza autorizzato. Il presente manuale descrive solo le procedure di manutenzione generica e ordinaria.

Per le procedure di manutenzione che non sono riportate nella tabella del programma di manutenzione sottostante, contattare il nostro reparto di assistenza tecnica.

TABELLA DI MANUTENZIONE PROGRAMMATA

**ATTENZIONE!**

La procedura contrassegnata con (1) deve essere eseguita trascorse 8 ore dal primo utilizzo. La procedura contrassegnata con (2) deve essere effettuata dal Centro di assistenza qualificato, autorizzato dalla nostra società.

Procedura	Quotidiana, dopo ogni uso	Settimanale	Semestrale	Annuale
Ricarica delle batterie				
Pulizia del tergitore				
Pulizia di spazzola/portafeltro				
Pulizia del serbatoio				
Ispezione guarnizione del serbatoio				
Pulizia del vano di raccolta dei detriti				
Pulizia spazzole/portafeltro				
Pulizia del paraspruzzi				
Verifica e sostituzione delle gomme del tergitore.				
Pulizia del filtro soluzione detergente				
Pulizia del filtro di aspirazione				
Verifica livello del liquido batteria WET				
Ispezione del fissaggio di viti e bulloni			(1)	
Aggiungere olio lubrificante alle parti rotanti (come l'olio dei freni)			(1)	
Controllo o sostituzione carboncini del motore della spazzola				(2)
Controllo o sostituzione dei carboncini del motore aspirazione				(2)
Controllo o sostituzione carboncini del motore dell'impianto di trazione				(2)

IŽANGA**ATSARGIAI!**

Šiame greitojo paleidimo vadove pateikta tik nedidelė informacijos apie mašiną dalis.

Prašome vadovautis „GREITOJO PALEIDIMO VADOVU“, kuris tiekiamas kompaktiniame diske ir kurį perskaitysite naudodamiesi programa „Adobe® Reader®“.

**PASTABA**

Skliausteliuose nurodyti skaičiai atitinka mašinos aprašyme nurodytus elementus.

INSTRUKCIJOS PASKIRTIS IR TURINYS

Šioje instrukcijoje operatoriui pateikiama visa pagrindinė informacija apie mašiną, nurodomos jos techninės charakteristikos, aprašomas valdymas, saugojimas, atsarginės dalys, sauga ir pateikiama kita susijusi informacija.

Prieš vykdydami bet kokius darbus su mašina, būtinai perskaitykite šią mašinos naudojimo instrukciją. Iškilus klausimams ar neaiškumams dėl instrukcijoje pateiktos informacijos, susisieki su mūsų atstovais.

KAIP SAUGOTI ŠIĄ NAUDOJIMO INSTRUKCIJĄ

Naudojimo instrukciją laikykite netoli mašinos, apsauginiame įdėkle, apsaugotą nuo skysčių ir kitų ją pažeisti galinčių medžiagų.

ATITIKTIES DEKLARACIJA

Atitikties deklaracija patvirtina mašinos atitikimą galiojantiems ir jai taikomiems reikalavimams, ir yra tiekama kartu su mašina.

**PASTABA**

Atitikties deklaracijos kopijos tiekiamos kartu su kita mašinos dokumentacija.

PRIEDAI IR PRIEŽIŪRA

Visas būtinąsias naudojimo, priežiūros ir remonto procedūras turi vykdyti kvalifikuoti specialistai arba mūsų įmonės įgaliotasis remonto centras. Naudoti galima TIK originalias arba gamintojo patvirtintas atsargines dalis.

Jei jums reikia įsigyti kokių nors mašinos priedų arba atsarginių dalių, kreipkitės į mūsų klientų aptarnavimo skyrių.

PAKEITIMAI IR PATOBULINIMAI

Mes nepaliaujamai tobuliname savo gaminius, todėl pasiliekiame teisę keisti ir gerinti mašiną be išankstinio įspėjimo.

TAIKYMO SRITIS

Ši šveitimo mašina skirta komerciniam ir pramoniniam naudojimui. Šią mašiną galima naudoti ant lygių ir kietų grindų; ją valdyti gali tik kvalifikuotas operatorius, kuris privalo laikytis saugos nurodymų. Mašinos negalima naudoti lauko sąlygomis, ant kilimų ar šiurkščių grindų paviršių.

MAŠINOS IDENTIFIKAVIMAS

Mašinos serijos numeris ir modelio pavadinimas nurodyti mašinos vardinėje etiketėje.

Ši informacija naudinga. Kreipdamiesi dėl atsarginių dalių pasinaudokite toliau pateikta lentele, kurioje nurodykite mašinos identifikavimo duomenis.

MAŠINOS MODELIS.....
MAŠINOS SERIJOS NUMERIS.....

TRANSPORTAVIMAS IR IŠPAKAVIMAS

Transporto kompanijai atvežus mašiną patikrinkite jos pakuotę ir pačią mašiną, dėl komplektacijos ir galimų pažeidimų. Pastebėję bet kokius pažeidimus informuokite apie tai vežėją ir įforminkite šį faktą, kad turėtumėte teisę į kompensaciją.

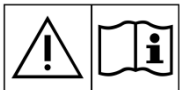
Išpakuodami mašiną griežtai laikykitės ant jos pakuotės pateiktų nurodymų.

Patikrinkite pakuotę ir įsitinkite, kad gavote visus toliau įvardytus mašinos elementus:

1. Techninė dokumentacija - Naudojimo instrukcija.
2. Akumulatoriaus prijungimo elementai.
3. Elektroninio akumulatoriaus įkroviklio (jei įdiegtas) instrukcija (*)

SAUGA

Toliau nurodyti simboliai įspėja apie potencialiai pavojingas situacijas. Įdėmiai perskaitykite šią informaciją ir imkitės visų būtinų žmonių ir turto apsaugos priemonių.

MATOMI MAŠINOS SIMBOLIAI**ĮSPĖJIMAS!**

Prieš imdamiesi bet kokių veiksmų, įdėmiai perskaitykite visą šios mašinos naudojimo instrukciją.

**ĮSPĖJIMAS!**

Neplaukite mašinos tiesiogine ir (arba) didelio spaudimo vandens srove.

**ĮSPĖJIMAS!**

Nenaudokite mašinos nuolydžiuose, statesniuose nei specifikacijoje nurodytas didžiausias leistinas nuolydis.

NAUDOJIMO INSTRUKCIJOJE NURODYTI SIMBOLIAI**PAVOJUS!**

Šis simbolis įspėja dėl atitinkamoje situacijoje operatoriui grėšiančio mirtino pavojaus.

**ĮSPĖJIMAS!**

Šis simbolis įspėja dėl atitinkamoje situacijoje žmonėms grėšiančio pavojaus.

**ATSARGIAI!**

Šis simbolis įspėja apie galimą pavojų ir apie susijusias svarbias arba naudingas funkcijas. Atkreipkite dėmesį į šiuo simboliu pažymėtus skyrius.

**PASTABA**

Šis simbolis nurodo susijusią svarbią arba naudingą informaciją.

**KONSULTACIJA**

Šis simbolis nurodo būtinybę, prieš imantis tolesnių veiksmų, perskaityti naudojimo instrukcijoje pateiktus atitinkamus nurodymus.

BENDRIEJI SAUGOS NURODYMAI

Toliau nurodyti specialieji išpėjimai informuojantys apie potencialius pavojus žmonėms ir mašinai.



PAVOJUS!

- Šią mašiną, vadovaudamiesi naudojimo instrukcija, gali naudoti tik išmokyti ir įgalioti darbuotojai.
- Prieš pradėdami vykdyti bet kokius valymo, priežiūros, remonto ar dalių keitimo darbus, įdėmiai perskaitykite visą šios mašinos naudojimo instrukciją ir nepamirškite IŠJUNGTI mašiną ir atjungti akumuliatorių.
- Nenaudokite mašinos šalia toksinių, pavojingų, degių ir (arba) sprogių medžiagų (miltelių, skysčių ar garų). Ši mašina nėra tinkama pavojingoms medžiagoms (milteliams) surinkti.
- Prieš dirbdami šalia elektrinių sistemų elementų, nusiimkite bet kokius metalinius papuošalus.
- Nedirbkite po pakelta ir saugiai stovais neparemta mašina.
- Įprastai švininiai (WET) akumuliatoriai gali išskirti lengvai užsidegančias dujas, todėl būtina pasirūpinti, kad šalia akumuliatorių nebūtų kibirkščių, liepsnos, degimo šaltinių ar intensyviai spinduliuojančių, šviečiančių ar degančių objektų.
- Įkraunant švininius (WET) akumuliatorius, gali išsiskirti sprogios vandenilio dujos. Būtina pasirūpinti, kad įkrovimo vieta būtų gerai vėdinama ir apsaugota nuo degimo šaltinių.



IŠPĖJIMAS!

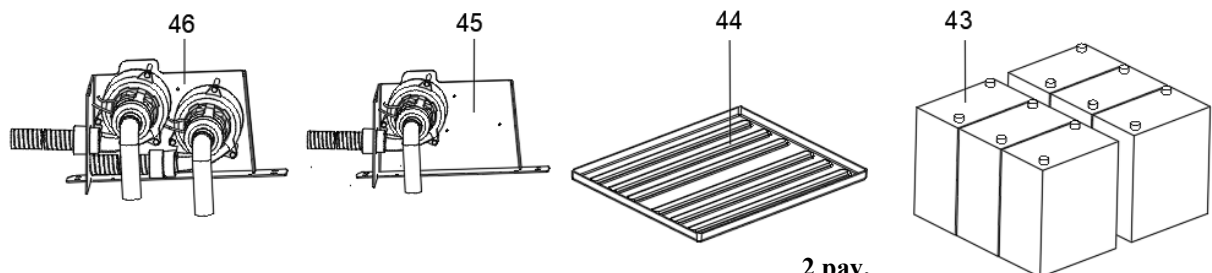
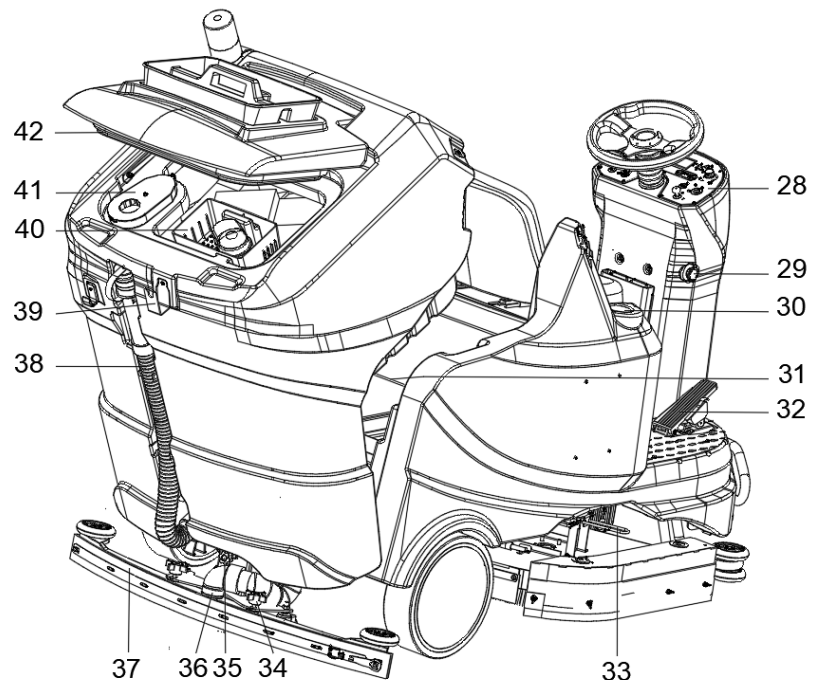
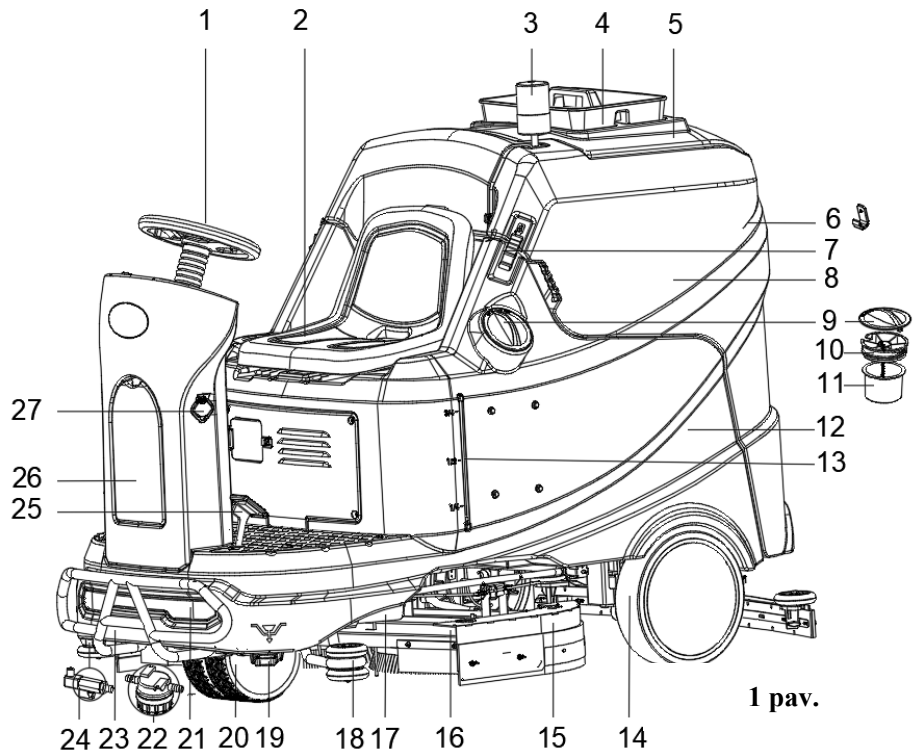
- Ši mašina yra KOMERCINĖS PASKIRTIES ir gali būti naudojama viešbučiuose, mokyklose, ligoninėse, gamyklose, parduotuvėse, biuruose ir kitose patalpose.
- Be priežiūros palikta mašina turi būti apsaugota nuo atsitiktinio judėjimo.
- Norint apsaugoti mašiną nuo nelegalaus jos naudojimo, būtina išjungti arba užblokuoti elektros maitinimo šaltinį – pavyzdžiui, ištraukti pagrindinio jungiklio arba užvedimo raktelį.
- Kiekvieną kartą prieš naudodami mašiną kruopščiai ją patikrinkite. Prieš naudodamiesi mašina patikrinkite, ar visi mašinos elementai tinkamai sumontuoti. Atsilaisvinę mašinos elementai gali kelti pavojų žmonėms ir aplinkiniam turtui.
- Niekada netraukite mašinos paėmę už akumuliatoriaus įkroviklio laido. Pasirūpinkite, kad mašinos laidas neeitu per uždaramą durų ar lango angą ir nesiliestų prie aštrių briaunų ar kampų. Pasirūpinkite, kad mašina nepervažiuotumėte per akumuliatoriaus įkroviklio laidą. Saugokite akumuliatoriaus įkroviklio laidą nuo šilumos šaltinių.
- Nebandykite įkrauti akumuliatoriaus, jei pažeistas jo laidas arba kištukas.
- Prieš palikdami mašiną be priežiūros, būtinai ją išjunkite, taip sumažinsite gaisro, elektros smūgio ir sužeidimų pavojų.
- Mašiną naudokite ir laikykite tik sausose patalpose. Mašiną naudoti lauko sąlygomis draudžiama.
- Mašinos sandėliavimo ir darbinės temperatūros diapazonas – nuo 0 °C iki +40 °C, oro drėgmė turi būti nuo 30 % iki 95 %.
- Nenaudokite mašinos nuolydžiuose, statesniuose nei specifikacijoje parodytas didžiausias leistinas nuolydis.
- Naudodami ir tvarkydami grindų valymo priemones laikykitės priemonių etiketėse pateiktų nurodymų ir naudokite atitinkamas apsaugines pirštines ir kitas priemones.
- Naudokite kartu su mašina tiekiamus arba instrukcijoje nurodytus šepetčius ir šveitimo padus. Naudodami kitus šepetčius arba šveitimo padus galite sukelti pavojų.
- Mašinos gedimo atveju patikrinkite, ar tinkamai atlikti mašinos priežiūros darbai. Jei reikia, pagalbos kreipkitės į įgaliojimą atstovą arba remonto centrą.
- Imkitės visų būtinų prevencinių priemonių, kad judančios mašinos dalys neįtrauktų jūsų ar kito asmens plaukų, papuošalų ir laisvų drabužių dalių.
- Labai dulkelioje aplinkoje mašinos nenaudokite.

- Neplaukite mašinos tiesiogine ir (arba) didelio spaudimo vandens srove ir (arba) koroziją sukeliančiomis priemonėmis.
- Būkite atsargūs ir su mašina neatsitrenkite į lentynas, pastolius ar kitus objektus, nuo kurių gali nukristi kokie nors objektai.
- Nestatykite ant mašinos jokių indų su skysčiais, naudokite specialiai tam skirtą laikiklį.
- Tam, kad nesugadintumėte grindų paviršiaus, pasirūpinkite, kad mašinai stovint vietoje šepėčiai ir (arba) šveitimo padai būtų išjungti.
- Gaisro atveju gesinimui naudokite sausų miltelių gesintuvą. Nenaudokite skysčiais užpildytų gesintuvų.
- Nebandykite nuimti ar pakeisti prie mašinos pritvirtintų etikečių.
- Nekeiskite mašinos saugos aptvarų ir tiksliai laikykitės instrukcijoje nurodytų priežiūros darbų.
- Jei mašiną planuojate transportuoti žemos temperatūros aplinkoje, atkreipkite dėmesį į toliau pateiktas pastabas. Vanduo gražinimo rezervuare ir žarnose gali užšalti ir rimtai pažeisti mašiną.
- Jei reikėtų pakeisti kokias nors mašinos dalis, atsargines ORIGINALIAS dalis užsisakykite iš įgaliotojo atstovo arba prekybininko.
- Jei mašina neveikia taip kaip reikia arba yra sugedusi, gražinkite ją į techninės priežiūros centrą.
- Jei norite užtikrinti tinkamą ir saugų mašinos naudojimą, pasirūpinkite, kad įgaliotas darbuotojas arba tarpininkas, arba prekybininkas laiku vykdytų šioje instrukcijoje numatytus techninės priežiūros darbus.
- Nebenaudojamą mašiną būtina priduoti specialiam atliekų surinkimo centre, nes mašinoje yra toksinių ir kenksmingų medžiagų (akumulatorius ir kt.). Žr. skyrių „Mašinos utilizavimas“.
- Ši mašina yra tik valymo įrenginys ir ji nėra skirta kitai paskirčiai.
- Pasirūpinkite, kad mašinos angos visuomet būtų švarios nuo dulkių, plaukų ar kitų objektų, galinčių trikdyti oro srautą. Jei nors viena mašinos anga yra užsikimšusi, mašinos nenaudokite.
- Mašiną naudokite tik gerai apšviestoje vietoje.
- Šią mašiną draudžiama naudoti vaikams ir asmenims neturintiems pakankamai darbo su tokia įranga patirties, ar turintiems fizinį, jutiminių ar protinių sutrikimų.
- Jei mašina naudojama šalia vaikų, būtina elgtis ypač atsargiai.
- Netoli mašinos esančius vaikus privalo prižiūrėti suaugusieji, kurie turi pasirūpinti, kad vaikai niekada nežaistų su mašina.
- Naudodami šią mašiną būkite atsargūs, nesužeiskite žmonių ir nepadarykite žalos aplinkiniams objektams.
- Valymo ir priežiūros darbus vaikams, be suaugusiųjų priežiūros, vykdyti draudžiama.
- Operatoriai turi būti tinkamai apmokyti naudotis šiomis mašinomis.
- Nenaudokite įrenginio be konstrukcijos, skirtos apsaugai nuo krentančių objektų (FOPS), tose vietose, kur jie gali nukristi ant operatoriaus.

MAŠINOS APRAŠYMAS

MAŠINOS KONSTRUKCIJA* - pasirenkama

1. Vairaratis
2. Sėdimas, reguliuojamas (su saugos jungikliu)
3. Perspėjimo lemputė
4. Komunalinių paslaugų dėžutė (*)
5. Gražinimo rezervuaro dangtis
6. Kablys
7. Fiksatorius (x2)
8. Gražinimo rezervuaras
9. Filtro dangtis
10. Filtro žarnos laikiklis
11. Filtro atrama
12. Tirpalo rezervuaras
13. Vandens lygio vamzdelis
14. Varantieji ratai (su mechaniniu stabdžiu)
15. Šoninės apsaugos nuo taškymosi
16. Šepečių mazgas
17. Siurblys
18. Bamberio ratai
19. Tirpalo bako išleidimo dangtis
20. Priekiniai ratai
21. Priekiniai žibintai
22. Tirpalo filtras
23. Priekinis bamperis
24. Tirpalo uždarymo vožtuvas
25. Mechaninio stabdžio pedalas
26. Vidinės atminties dangtis
27. USB įkrovimo prievadas
28. Valdymo pultas
29. Avarinis jungiklis
30. Puodelio laikiklis
31. Surinkimo bako atraminis kabelis
32. Akceleratoriaus pedalas
33. Šepečio/pado varomojo disko montavimo sustabdymas
34. Valytuvo rankenėlės
35. Valytuvo kampo reguliavimo rankenėlė
36. Valytuvo siurblio žarna
37. Valytuvai
38. Gražinamo vandens išpylimo žarna
39. Valytuvo kablys
40. Purvo surinkimo dėžutė
41. Įsiurbimo filtras
42. Rezervuaro dangčio tarpinė
43. Akumulatoriai (nėra)
44. Akumulatoriaus dėklas (*)
45. Siurbimo sistema
46. Dviguba vakuuminė sistema (*)

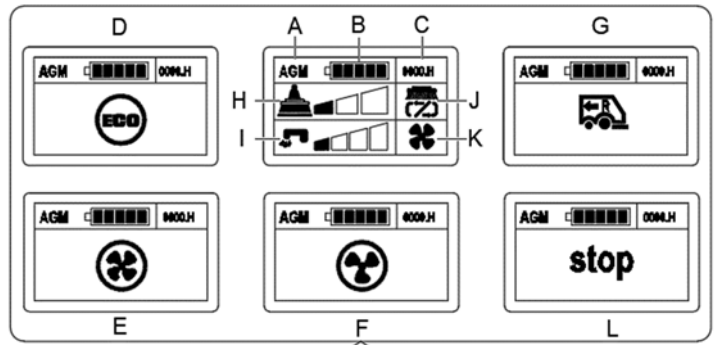


VALDYMO PULTAS (kaip parodyta)

47. Daugiafunkcinis ekranas

Rodomi elementai:

- A) Akumuliatoriaus tipas
- B) Akumuliatoriaus įkrovos lygis
- C) Darbo valandos
- D) ECO režimas
- E) Įprastas siurbimo režimas
- F) Tylusis siurbimo režimas
- G) Reversinis režimas
- H) Padidintas slėgis
- I) Valymo tirpalo srautas
- J) Šepečio naudojimo režimas
- K) Siurbimo režimas
- L) Sėdynės saugos jungiklis išjungtas



48. Prisipildė surinkimo bakas/tuščio tirpalo bako indikatorius

49. Greičio reguliavimo rankenėlė

50. Tirpalo srautą reguliuojantys mygtukai

51. Vieno paleidimo mygtuką

- Šviesos diodas įjungtas virš mygtuko - funkcija aktyvuota

- vandens sistema (2 lygis)

- minimalus slėgis (1 lygis)

- įprasta siurbimo sistema

52. Mygtukas "pirmyn/atgal"

53. Užvedimo raktelis (0=IĮ, I=IŠJ.)

54. Siurbimo sistemos reguliavimo mygtukas

- (palaikykite nuspaudę 1 sekundę, kad įjungtumėte)

- Šviesos diodas pastoviai įjungtas - įprastu režimu

- Šviesos diodas blyksėjimo - tyliu režimu

55. ECO režimo mygtukas

- Šviesos diodas įjungtas virš mygtuko - funkcija aktyvuota

- minimalus vandens srautas (1 lygis)

- minimalus slėgis (1 lygis)

- Tylusis siurbimo režimas

56. Šepečio/pado laikiklio spragtelėjimo įjungimas/išjungimas

- Šviesos diodas mirksi - spragtelėjimas aktyvuotas

57. Šepečio spaudimą reguliuojantys mygtukai

58. Garsinio signalo mygtukas

59. Priekinio žibinto mygtukas

60. Įkroviklio kištuko dangtelis

61. Šepečio variklių apsauga nuo perkrovos (30A)

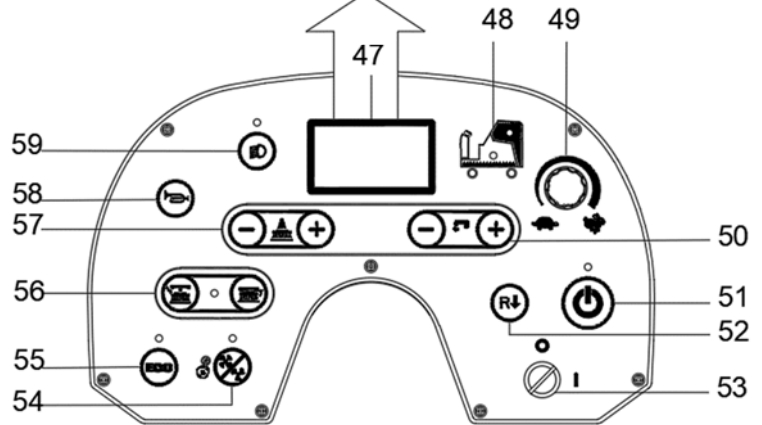
62. Šepečio kėlimo apsauga nuo perkrovos (3A)

63. Įkroviklio kištukas

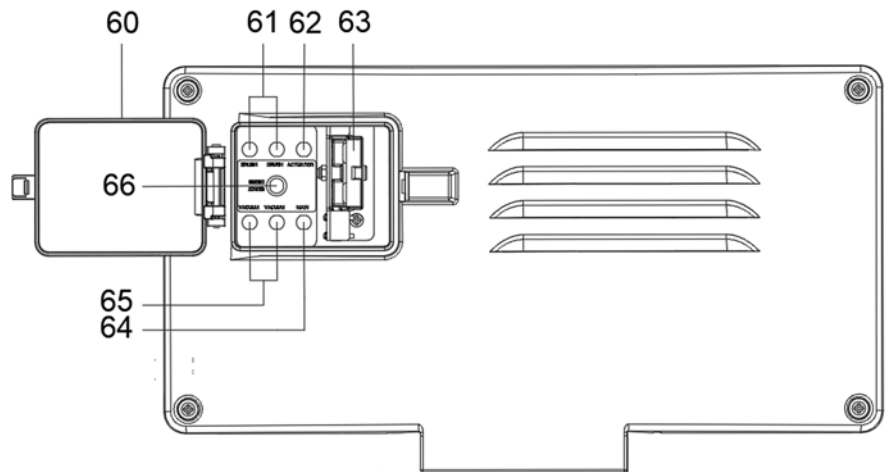
64. Pagrindinės valdymo grandinės apsauga nuo perkrovos (5A)

65. Vakuuminio variklio(-ių) apsauga nuo perkrovos (30A)

66. Valytuvo keltuvo apsauga nuo perkrovos (3A)



3 pav.



4 pav.

TECHNINIAI PARAMETRAI

Parametro tipas	AS1050R
Įtampa	36 V
Nominali galia (IVESTIS)	125A/4500W
IP apsaugos klasė	IP24
Tirpalo rezervuaro talpa	200 l / 53 gal.
Grąžinimo rezervuaro talpa	200 l / 53 gal.
Šveitimo plotis	980mm / 35,58 col.
Šepečio / šveitimo pado skersmuo	(508 mm x 2/20 col. x2)
Šepečio / šveitimo pado slėgis (maks.)	90 kg / 198 lbs.
Šepečio variklio galia (IVESTIS)	2 X 1000 W / 2 X 1,3 AG
Šepečio greitis pasirinkus įprastą režimą	240 aps./min.
Šepečio greitis pasirinkus ECO režimą	175 aps./min.
Nustatymą / minutę atitinkantis tirpalo srautas (maks.)	(1,6/2,3/3,3/4,6) litrai / 0,42/ 0,61/0,87/1,22galono
Garso slėgio lygis (vienas vakuuminis variklis)	72 ± 3 dB (A)
Garso slėgio lygis (du vakuuminiai varikliai) (*)	75 ± 3 dB (A)
Triukšmo lygis naudojant ECO arba tylųjį siurbimo režimą	69 ± 3 dB (A)
Siurblio variklio galia	600 W / 0,8 AG
USB įkrovimas	MAKS. 5 V 2,4 A
Našumas (maks.)	7840 m ² /val./84389 ft ² /val.
Darbinis greitis	0 - 8 km / 0 - 5 mph
Važiavimo į priekį greitis	0 - 8 km / 0 - 5 mph
Važiavimo atbulai greitis	0 - 5 km / 0 - 3,1 mph
Varančiojo variklio galia (IVESTIS)	1600 W / 2,1 AG
Min. apsisukimo skersmuo	2650mm / 104 col.
Transporto pakilimo pajėgumas (maks.)	20%
Darbinis pakilimo pajėgumas (maks.)	16%
Varomojo rato skersmuo	340mm / 13,4 col.
Grindis veikiantis varomojo rato spaudimas	0,68 N/mm ²
Priekinio rato skersmuo	250 mm / 10 col.
Grindis veikiantis priekinio rato spaudimas	0,62 N/mm ²
Rankenos virpėjimo lygis (maks.)	< 2,5 m/s ²
Akumuliatoriaus skyriaus matmenys be padėklo (ilgis x plotis x aukštis)	(680x560x450) mm / 26,7 x 22 x 17,7 col.
Akumuliatoriaus skyriaus matmenys su padėklu (ilgis x plotis x aukštis) (*)	(665x550x430) mm / 26,1 x 21,6 x 16,9 col.
Mašinos ilgis be priekinio bamperio	1875mm / 73,8 col.
Mašinos plotis be valytuvo	1077mm / 42,4 col.
Mašinos aukštis	1350 mm / 53 col.
Mašinos aukštis (Su viršutine apsauga)	1955 mm / 77 col.
Mašinos svoris su tuščiais rezervuarais (be akumuliatorių)	398 kg / 853,6 lbs.
Bendrasis mašinos svoris (GVW)	870 kg / 1914 lbs.
Bendrasis mašinos svoris (GVW) (Su viršutine apsauga)	897 kg / 1973 lbs.
Transportavimo svoris	490 kg / 1078 lbs.
Pakuotės matmenys (ilgis x plotis x aukštis)	(2110 x 1220 x 1535 mm) / (83 x 48 x 60,4 col.)

(*): Atskirai užsakomas priedas

NAUDOJIMO VADOVAS

**ĮSPĖJIMAS!**

Kai kuriose mašinos vietose rasite pritvirtintus išpėjamuosius lipdukus:

- PAVOJUS!
- ĮSPĖJIMAS!
- ATSARGIAI!
- KONSULTACIJA

Skaitydami šią naudojimo instrukciją atkreipkite dėmesį į išpėjamuosius lipdukus. Neuždenkite šių lipdukų jokiais aplinkybėmis, o pažeistus nedelsiant pakeiskite naujais.

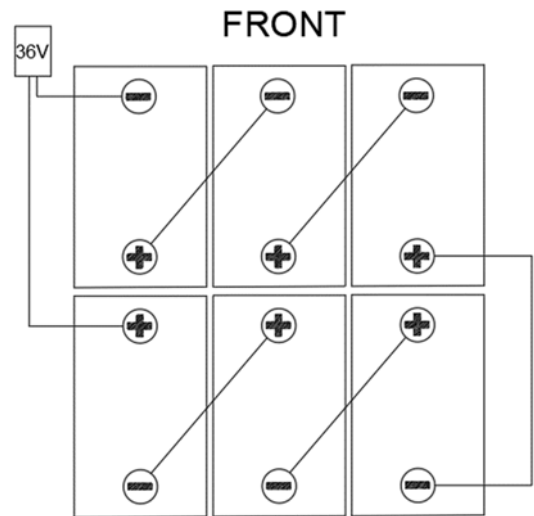
AKUMULIATORIAUS TIKRINIMAS / PAJUNGIMAS NAUJOJE MAŠINOJE

**ĮSPĖJIMAS!**

Netinkamai pajungus arba sumontavus akumuliatorius elektrinius mašinos elementus galima pažeisti. Akumuliatorius montuoti ir pajungti turi kvalifikuotas darbuotojas. Pagal naudojamų akumuliatorių tipą (WET arba GEL/AGM/DIS/ENE akumuliatoriai) nustatykite akumuliatoriaus tipą, atlikdami toliau nurodytą procedūrą. Prieš montuodami patikrinkite, ar akumuliatoriai nepažeisti. Atjunkite akumuliatoriaus jungtį ir akumuliatoriaus įkroviklio kištuką. Su akumuliatoriais elkitės labai atsargiai. Uždėkite kartu su mašina tiekiamą apsauginį akumuliatorių dangtelį.

**PASTABA**

Mašinai reikia šešių 6 V akumuliatorių, prijungtų ir įdėtų į padėtis, parodytas 5 pav.



5 pav.

Jei mašinoje akumuliatoriai jau sumontuoti

1. Pasirūpinkite, kad tinkamai pajungtas akumuliatoriaus kištukas.
2. Pirmą kartą naudodami mašiną su akumuliatoriais, pilnai įkraukite akumuliatorius (pilno įkrovimo ciklo procedūra aprašyta skyriuje „Priežiūra“).

Jei mašinoje akumuliatoriai nesumontuoti

1. Įsigykite tinkamus akumuliatorius (žr. skyrių „Techniniai duomenys“). Dėl informacijos apie akumuliatorių tipus ir montavimą, kreipkitės į akumuliatorių pardavėjus.
2. Nustatykite akumuliatoriaus tipo nuostatą atlikdami toliau aprašytą procedūrą.

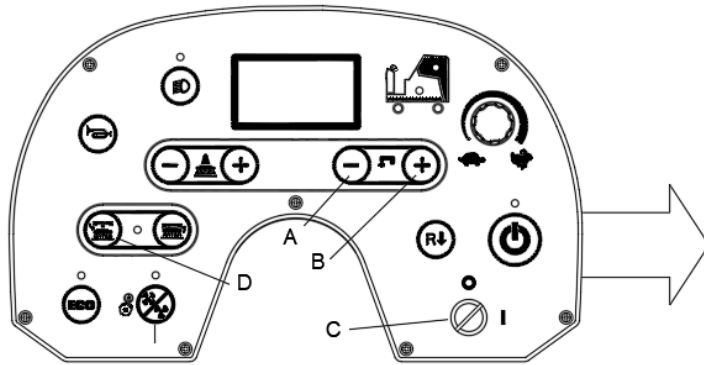
AKUMULIATORIŲ MONTAVIMAS IR TIPO NUSTATYMAS (WET /GEL/ AGM/ DIS/ ENE)**Akumuliatorių montavimas**

1. Atidarykite kairįjį ir dešinįjį sklėsčius (7, 1 pav.).
2. Atidarykite grąžinimo rezervuaro dangtį (5, 1 pav.) ir patikrinkite, ar grąžinimo rezervuaras (8, 1 pav.) tuščias; jei rezervuaras nėra tuščias, ištuštinkite jį naudodami išleidimo žarną (38, 2 pav.).
3. Uždarykite grąžinimo rezervuaro dangtį (5, 1 pav.)
4. Atsargiai pakelkite grąžinimo rezervuarą (8, 1 pav.)
5. Atjunkite grąžinimo rezervuaro kabelį ir nuimkite visą grąžinimo rezervuaro mazgą.
6. Išsukite vieną grąžinimo rezervuaro pasukamojo kabelio varžtą (31, 2 pav.) ir pasukite atgal.
7. Išsukite keturis grąžinimo rezervuaro apačioje esančius varžtus.
Mašinoje tiekiami kabeliai, tinkami sujungti šešis 6V akumuliatorius. Atsargiai įdėkite akumuliatorius į skyrelį ir tinkamai sujunkite kaip parodyta 5 pav. Tinkamai pritvirtinkite akumuliatoriaus lipduką.
8. Praveskite ir sujunkite akumuliatoriaus laidą (žr. 5 pav.), tada atsargiai priveržkite kiekvieno kontakto veržlę.

9. Ant kiekvieno kontakto uždėkite apsauginį dangtelį ir pajunkite akumuliatoriaus jungtį.
10. Surinkite visą grąžinimo rezervuaro mazgą atvirkštine išmontavimo tvarka.
11. Atsargiai nuleiskite grąžinimo rezervuarą.

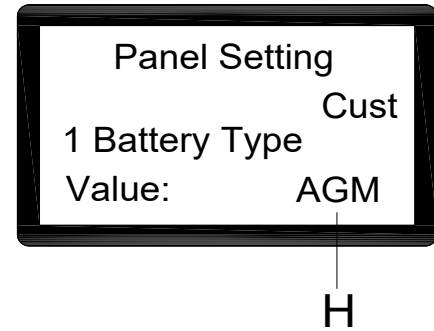
Akumuliatoriaus tipo nustatymas (WET/GEL/AGM/DIS/ENE) Akumuliatoriaus režimo pasirinkimas

Priklausomai nuo akumuliatorių tipo (WET/GEL/AGM/DIS/ENE), atlikite šiuos mašinos nustatymus:



6 pav.

Access to select battery mode



H

1. Vienu metu paspauskite vandens srauto mygtukus „-“ (A, 6 pav.) ir „+“ (B, 6 pav.).
2. Įkiškite užvedimo raktelį (C, 6 pav.) ir pasukite į padėtį „I“.
3. Po kelių sekundžių ekrane pasirinkite akumuliatoriaus režimą (6 pav.).
4. Paspauskite vandens srauto mygtukus „-“ (A, 6 pav.) ir „+“ (B, 6 pav.), kad pasirinktumėte akumuliatoriaus režimą (H, 6 pav.)
5. Paspauskite atleidimo mygtuką (D, 6 pav.). Jei po 3 sekundžių ekrane pasirodys užrašas „Update OK“ (atnaujinti pavyko), vadinasi režimą pasirinkti pavyko. Dabar galite iš naujo įjungti mašiną. (C, 6 pav.)

Akumuliatoriaus įkrovimas

Pilnai įkraukite akumuliatorius (procedūra aprašyta skyriuje „Priežiūra“).

Akumuliatoriaus išsikrovimas

Kai akumuliatorių simbolis bus pilnas (H, 7 pav.), reiškia, kad akumuliatoriai pilnai įkrauti. Akumuliatoriams išsikrovus (H, 7 pav.), juos būtina įkrauti. Akumuliatoriams pasiekus žemą įkrovimo lygį, po kelių sekundžių automatiškai išjungiamą šepetio variklio funkcija, tačiau važiavimo funkcija lieka aktyvi. Tokiu atveju nedelsiant nuvežkite mašiną iki artimiausios įkrovimo stotelės.



7 pav.

ŠEPEČIO / PADO LAIKIKLIO MONTAVIMAS IR IŠMONTAVIMAS



PASTABA

Priklausomai nuo grindų, kurias reikia išvalyti, sumontuokite šepetį (A, 8 pav.) arba šveitimo pado laikiklį (B ir C, 8 pav.).



ATSARGIAI!

Prieš montuodami ar išimdami šepetį arba šveitimo pado laikiklį pasirūpinkite, kad visi mašinos jungikliai būtų išjungti, o valytuvus pakeltas nuo grindų. Operatorius privalo turėti ir naudoti pavojų susižaloti mažinančias asmenines apsaugos priemones, pvz., apsaugines pirštines.

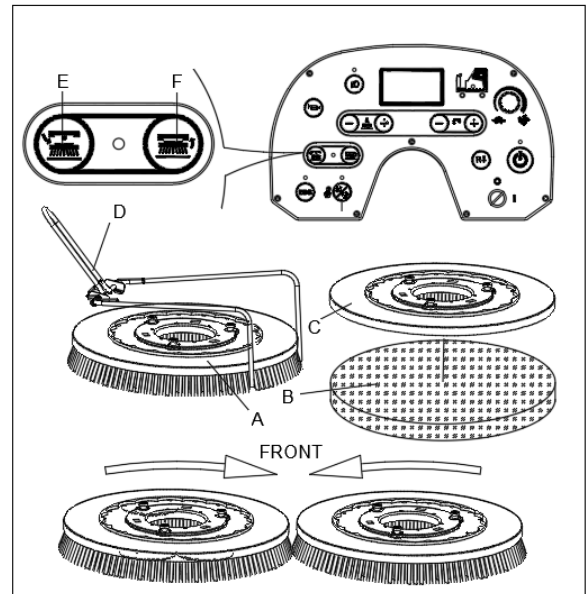
Atlikite šiuos veiksmus:

MONTAVIMAS:

- Įkiškite užvedimo raktelį (53, 3 pav.) ir pasukite jį į padėtį „I“. Pakelkite platformą.
- Sumontuokite šepetčius (A, 8 pav.) arba pado laikiklius (B, 8 pav.) po platforma. Naudokite šepetčio montavimo stabdiklį (D, 8 pav.), kad nustatytumėte tinkamą šepetčio/pado laikiklio padėtį.
- Norėdami sumontuoti šepetį arba šveitimo pado laikiklį, paspauskite šepetčio arba šveitimo pado laikiklio pajungimo mygtuką (F, 8 pav.), kad automatiškai sumontuotumėte. Rodoma sukimosi kryptis (8 pav.). Mirksės šviesos diodo indikatoriaus lemputė.

NUĖMIMAS:

- Įkiškite užvedimo raktelį (53, 3 pav.) ir pasukite jį į padėtį „I“. Patikrinkite, ar šepetys/pado laikiklis pakeltas (UP). Norėdami nuimti šepetį arba šveitimo pado laikiklį, paspauskite šepetčio arba šveitimo pado laikiklio atleidimo mygtuką (E, 8 pav.), kad automatiškai atleistumėte. Įsijungs šviesos diodo indikatoriaus lemputė bus pastovus.



8 pav.

Jei paspausite šepetčio išjungimo mygtuką, o tada – įjungimo, turite išjungti uždegimo raktą ir vėl jį įjungti, kad mašina vėl veiktų.

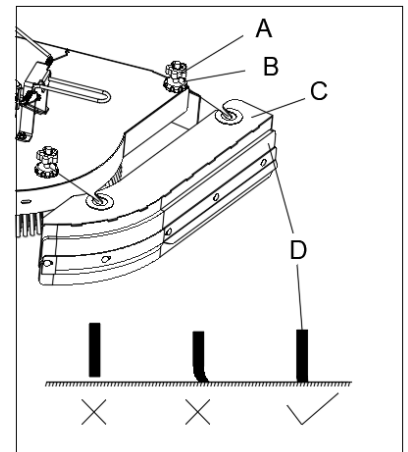
ŠONINIŲ APSAUGŲ NUO TAŠKYMOSI BALANSO REGULIAVIMAS

Apsaugos nuo taškymosi aukštį reikia stebėti ir reguliuoti. Valydami mašiną patikrinkite šoninių apsaugų nuo taškymosi veikimą.

- Jei apsaugos nuo taškymosi yra per aukštai, tarpas tarp apsaugos nuo taškymosi (D) ir grindų posūkių metu paliks vandenį ant grindų.
- Jei apsaugos nuo taškymosi yra per žemai, apsauga nuo taškymosi (D) per daug deformuosis, palikdama vandenį apsisukimo metu ir sutrumpindama apsaugos nuo taškymosi naudojimo laiką.
- Tinkamas suregulavimas atliekamas tada, kai apsaugos nuo taškymosi lengvai liečia grindis nuo priekinės iki užpakalinės apsaugos nuo taškymosi pusės.

Reguliavimo procedūra:

- Patikrinkite, ar platforma pakelta (UP).
- Atlaisvinkite viršutines laikančiąsias veržles (A) ir nuimkite apsaugos nuo taškymosi mazgą.
- Sureguliuokite apatines laikančiąsias veržles (B) aukštyn/žemyn.
- Vėl uždėkite apsaugos nuo taškymosi mazgą ir patikrinkite suregulavimą.
- Pakartokite 3. ir 4., kol apsaugos nuo taškymosi suregulavimas bus tinkamas.
- Priveržkite viršaus fiksavimo veržles (A), kad užfiksuotumėte reguliavimą.
- Pakartokite procedūrą su kitos pusės apsauga nuo taškymosi.

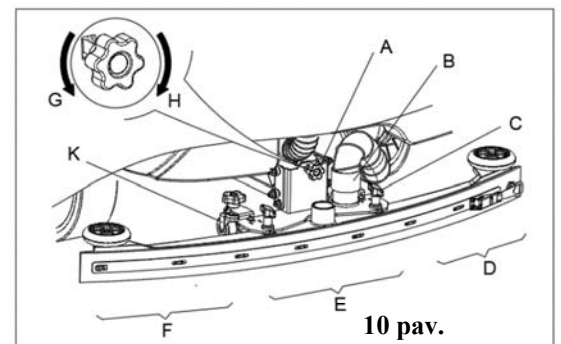


9 pav.

VALYTUVO BALANSO REGULIAVIMAS

- Sumontuokite valytuvą ir priveržkite veržles (C, 10 pav.), tada prie valytuvo pajunkite siurblio žarną (B).
- Naudodami valytuvo reguliavimo rankenėlę (A) sureguliuokite valytuvą.
 - Jei tarp grindų paviršiaus ir vidurinės galinės valytuvo mentės (E) sekcijos yra tarpas, sukite rankenėlę (A) prieš laikrodžio rodyklės kryptį (A) iki visos galinės valytuvo mentės sekcijos prisispaus prie grindų paviršiaus, o priekinė mentė tik prisilies prie grindų.
 - Jei tarp grindų paviršiaus ir abiejų kraštinių galinės valytuvo mentės (D ir F) sekcijų yra tarpas, sukite rankenėlę (A) laikrodžio rodyklės kryptimi (G) iki visos galinės valytuvo mentės sekcijos prisispaus prie grindų paviršiaus, o priekinė mentė tik prisilies prie grindų.

Jei naudojate frezą, sureguliuokite visą valytuvo aukštį reguliuodami ratukų (K) aukštį.



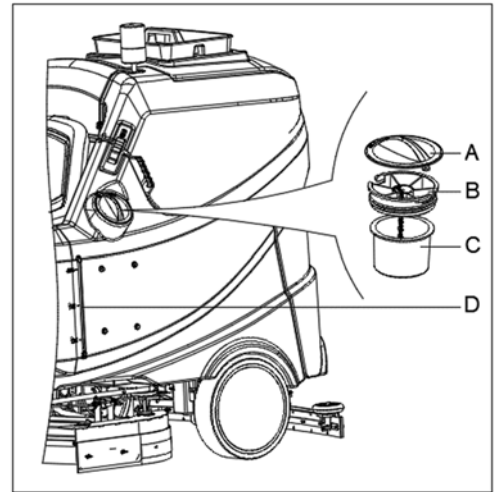
10 pav.

TIRPALO REZERVUARO UŽPILDYMAS

1. Atidarykite vandens įpylimo dangtį (A, 11 pav.).
2. Per vandens įpylimo angą su filtru įpilkite vandens arba darbu tinkamo tirpalo. Tirpalo temperatūra neturi viršyti +40 °C (+104 °F).
3. Neperpildykite rezervuaro, vandens ar tirpalo lygis neturi viršyti žymos (D).

**ĮSPĖJIMAS!**

Naudokite tik neputojančias ir nedegias plovimo priemones, skirtas automatinėms šveitimo mašinoms.



11 pav.

PAVAROS VARIKLIO IR MECHANINIŲ STABDŽIŲ PATIKRA

1. Pasukite uždegimo raktelį (A, 12 pav.) į padėtį „I“, atsisėskite ant sėdynės (C).
2. Nuspauskite akceleratoriaus pedalą (D), tada šiek tiek atleiskite, kad patikrintumėte, ar mašiną galima vairuoti pirmyn ir sustabdyti.
3. Norėdami užtikrinti saugumą, įsitikinkite, kad mašiną galima nedelsiant sustabdyti paspaudus avarinį mygtuką (B). Pasukite avarinį mygtuką, kad nustatytumėte jį iš naujo.
4. Greitai nuspauskite mechaninio stabdžio pedalą (F), kad patikrintumėte, ar mašiną galima nedelsiant sustabdyti.

**ĮSPĖJIMAS!**

Darbinis aukštėjimo pajėgumas neturi viršyti 16 %. Dirbdami ant šlaito, laikykite rezervuaro skląščius (7, 1 pav.) užfiksuotus. Saugumo sumetimais niekada nesustokite ant šlaito.

Kildami į šlaitą, kurio nuolydis ne didesnis kaip 20 %, iš anksto nustatykite greičio ribojimo potenciometrą į didžiausio greičio padėtį. Kildami į šlaitą nuspauskite akceleratoriaus pedalą iki galo.

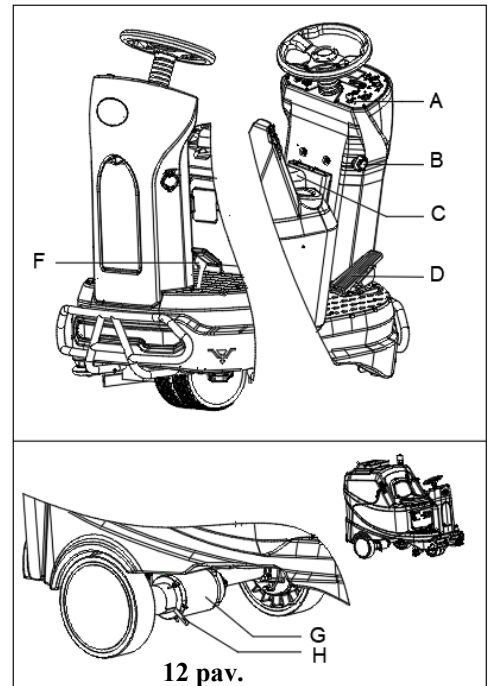
Valydami šlaitą, kurio nuolydis ne didesnis kaip 16 %, iš anksto nustatykite greičio ribojimo potenciometrą į didžiausio greičio padėtį. Jei ekrane rodoma „Error 4, Tra Overload“, nustatykite mažiausią šepetio spaudimo nuostatą.

Jei įkalnėje pastebite, kad mašinos greitis lėtėja ir ji netrukus sustos, o ekrane rodoma „Error 4, Tra Overload“, nedelsdami atleiskite akceleratoriaus pedalą ir uždėkite koją ant mechaninio stabdžio.

Jei kylant į įkalnę rodoma „Error 4, Tra Overload“, nedelsdami sustokite ir uždėkite koją ant mechaninio stabdžio, pasukite raktinį jungiklį, kad išjungtumėte mašiną, o tada vėl jį pasukite, kad įjungtumėte, ir nebekilkite į šlaitą. Nustatykite greičio ribojimo potenciometrą į lėto greičio padėtį, tada paspauskite atgalinio judėjimo mygtuką, atleiskite mechaninį stabdį, atsargiai uždėkite koją ant akceleratoriaus, kad mašina galėtų lėtai judėti atgal, kol bus pasiektas mažesnis nuolydis.

**ATSARGIAI**

Varančio variklio stabdys atleidžiamas, kai variklis veikia normaliai, jis užsifiksuoja, kai variklis išjungtas. Tam tikrais specialiais atvejais, pvz., mašinos pakavimo/išpakavimo, mašinos gedimo ir pan., gali reikėti stumti mašiną. Pavaros variklyje (G, 12 pav.) nuspauskite stabdžio rankeną (H, 12 pav.), atleiskite mašinos stabdį ir mašiną galėsite pajudinti. Baigę pastumkite rankeną atgal, kad mašina galėtų veikti.



12 pav.

MAŠINOS PALEIDIMAS IT STABDYMAS**Paleiskite mašiną.**

1. Paruoškite mašiną darbu taip, kaip aprašyta ankstesniame skyriuje.
2. Atsisėskite ant sėdynės (K, 13 pav.), įkiškite uždegimo raktelį (J, 13 pav.) ir pasukite į padėtį „I“. Ekrane patikrinkite akumuliatorių įkrovos lygį. Jei reikia, įkraukite akumuliatorius (procedūra aprašyta skyriuje „Priežiūra“).
3. Nuvairuokite mašiną į darbo vietą.

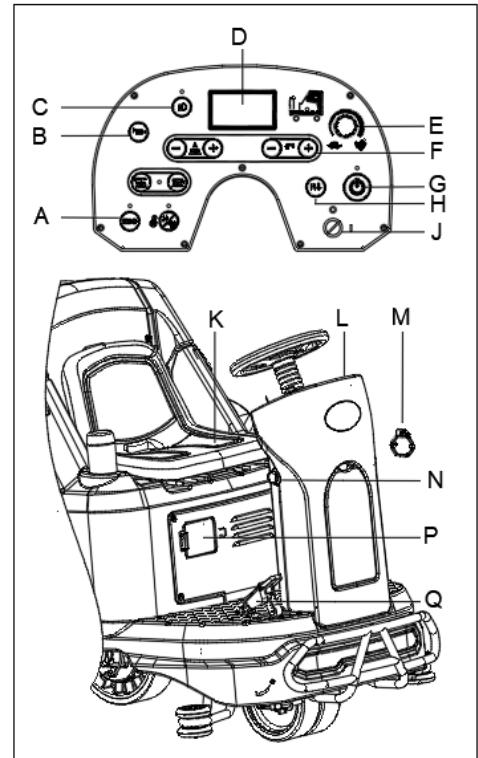
Judėjimo pirmyn/atgal kryptį galima valdyti jungikliu (H, 13 pav.). Važiavimo greitį galima reguliuoti greičio reguliatoriumi (E, 13 pav.).

4. Paspauskite Vieno paleidimo mygtuką (G, 13 pav.), kad įjungtumėte mašiną, valytuvus ir šepčiai automatiškai nuleidžiami ant grindų ir pradeda veikti siurbimo variklis.
5. Jei reikia, priklausomai nuo valymo užduoties, valdymo mygtukais (F, 13 pav.) keiskite tirpalo srautą.
6. Paspauskite akceleratoriaus pedalą (Q, 13 pav.) ir pradėkite valyti.
7. Galite įkrauti telefoną arba padėklą per USB įkrovimo prievadą (M, 13 pav.), kai uždegimo raktelis (J, 13 pav.) pasukamas į padėtį „I“.
8. Paspauskite garsinio signalo mygtuką (B, 13 pav.), kad prireikus išpėtųmėte žmones.
9. Jei reikia, paspauskite avarinio išjungimo mygtuką (N, 13 pav.).
10. Jei reikia, paspauskite priekinių žibintų mygtuką (C, 13 pav.), jei norite pamatyti tamsias sritis arba išpėti pėsčiuosius.
11. Jei reikia, sureguliuokite sėdynę (K, 13 pav.) pasukdami dešininę sėdynės dešinėje pusėje esančią rankenėlę, tada pastumkite sėdynę į tinkamą padėtį.



PASTABA

Šepčio variklis, siurbimo variklis, pavaros variklis ir valdymo grandinė apsaugoti perkrovos apsauga (P, 13 pav.). Kai suveikia perkrovos saugiklis, iš karto jo nenustatykite iš naujo nenustatę pagrindinės priežasties ir prieš nustatydami iš naujo įsitikinkite, kad variklis atvėso.



13 pav.

Sustabdykite mašiną.

12. Atleiskite akceleratoriaus pedalą (Q, 13 pav.), mašina nustos veikti.
13. Paspauskite Vieno paleidimo mygtuką (G, 13 pav.), kad sustabdytumėte šepčius ir siurbimo variklį. Šepčiai ir valytuvus automatiškai pakeliami nuo grindų. Siurbimo sistema išsijungs po kelių sekundžių.
14. Pasukite užvedimo raktelį į padėtį „0“.
15. Pasirūpinkite, kad mašina pati neriedėtų.

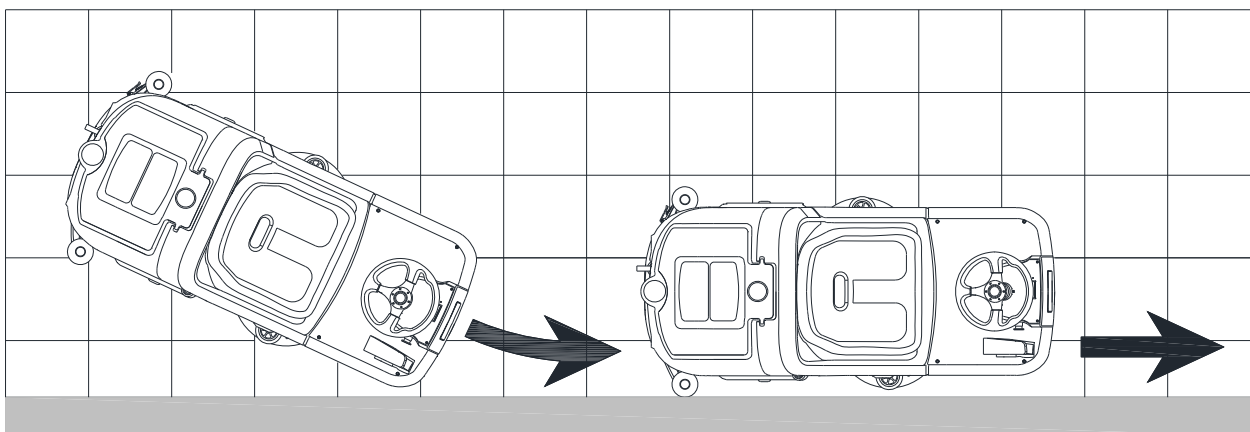
MAŠINOS VALDYMAS (ŠVEITIMAS IR DŽIOVINIMAS)

1. Užveskite mašiną pagal ankstesnių paragrafų procedūras.
2. Pradėkite valymą atlikdami skyriuje „Mašinos paleidimas“ aprašytas procedūras.
3. Jei reikia, sustabdykite mašiną, kad sureguliuotumėte šonines apsaugas nuo taškymosi pagal skyrių „Šoninės apsaugos nuo taškymosi pusiausvyros reguliavimas“.
4. Jei reikia, sustabdykite mašiną ir sureguliuokite valytuvą (žr. skyrių „Valytuvo balanso reguliavimas“).



PASTABA

Grindų šveitimas / džiovinimas sienų pakraščiuose. Arti prie sienų rekomenduojama privažiuoti dešiniąją mašinos pusę (14 pav.) kaip parodyta paveikslėlyje.



14 pav.

REZERVUARO IŠTUŠTINIMAS**Gražinamo vandens rezervuaro ištuštinimas**

Kai daugiafunkciniame ekrane (47, 3 pav.) rodoma ERROR24 ir įsijungia pilno gražinimo rezervuaro indikatorius (48, 3 pav.). Jis rodo, kad gražinimo rezervuaro (C, 15 pav.) pilnas, vakuuminis variklis nebegali išdžiovinti grindų. Ištuštinkite gražinimo rezervuarą atlikdami šiuos veiksmus:

1. Sustabdykite mašiną.
2. Paspauskite vieno paleidimo mygtuką pakelkite šepečio / šveitiklio pado laikiklio platformą (51, 3 pav.).
3. Nuvežkite mašiną iki specialiai skirtos atliekų išpylimo vietos.
4. Naudodami žarną (D, 15 pav.), ištuštinkite gražinamo vandens rezervuarą. Tada rezervuarą (C, 15 pav.) išskalaukite švaniu vandeniu.

**ATSARGIAI!**

Išleidami nuotekas laikykite išleidimo žarną aukštai ir užlenkite viršutinę dalį, kad jos neišlietumėte ant operatoriaus.

Tirpalo / švaraus vandens rezervuaro ištuštinimas

1. Atidarę išleidimo dangtelį (A, 15 pav.) ištuštinkite tirpalo rezervuarą. Po darbo, išskalaukite rezervuarą švaniu vandeniu.

PANAUDOJUS MAŠINĄ

Prieš palikdami mašiną po darbo, atlikite toliau nurodytus veiksmus.

1. Paspaudę kairįjį atleidimo mygtuką (56, 3 pav.) nuimkite šepečių / šveitimo padų laikiklius ir išvalykite juos.
2. Ištuštinkite rezervuarus (B ir C, 15 pav.), kaip aprašyta ankstesniuose skyriuose.
3. Atlikite kasdienes priežiūros procedūras (žr. skyrių „Priežiūra“).
4. Pakėlę šepečius / šveitimo padų laikiklius ir pakėlę arba nuėmę valytuvą, mašiną laikykite švarioje ir sausoje vietoje.
5. Norėdami išlaikyti dangtį atidarytą, naudokite gražinimo rezervuaro dangčio atramą. Taip išvengsite kvapų kaupimosi viduje.

MAŠINOS LAIKYMAS, JEI MAŠINA NENAUDOJAMA ILGĄ LAIKĄ

Jei mašinos ketinate nenaudoti 30 ar daugiau dienų, laikykitės toliau pateiktų nurodymų.

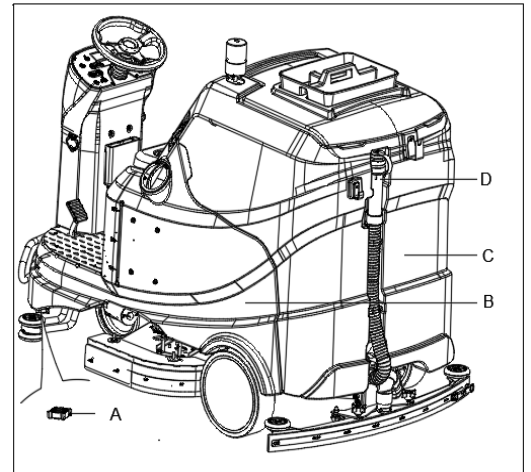
1. Atlikite procedūras aprašytas skyriuje „Panaudojus mašiną“.
2. Atjunkite akumulatoriaus jungtį.

PIRMASIS NAUDOJIMO LAIKOTARPIS

Po pirmųjų 8 darbo valandų patikrinkite mašinos dalių sujungimus ir tvirtinimus, taip pat pažiūrėkite, ar nesimato dalių susidėvėjimo ar skysčių pratekėjimo.

PRIEŽIŪRA**ĮSPĖJIMAS!**

Priežiūros procedūras būtina vykdyti išjungus mašiną ir atjungus akumulatoriaus įkrovimo laidą. Taip pat būtina atidžiai perskaityti šios instrukcijos saugaus darbo skyrius.



15 pav.

Visas suplanuotas arba priverstines priežiūros darbų procedūras turi vykdyti kvalifikuoti darbuotojai arba įgaliotasis remonto centras. Šioje naudojimo instrukcijoje aprašytos bendrosios ir standartinės priežiūros darbų procedūros.

Dėl kitų techninės priežiūros procedūrų, kurių nėra toliau pateiktoje techninės priežiūros grafiko lentelėje, susisiekite su mūsų techninės pagalbos skyriumi.

PRIEŽIŪROS DARBŲ GRAFIKAS



ATSARGIAI!

Pirmąją procedūrą (1) būtina atlikti praėjus 8 darbo valandoms, jei mašina naudojama pirmą kartą. Sekančia procedūrą (2) turi vykdyti kvalifikuoti mūsų įmonės remonto centro darbuotojai.

Procedūra	Kiekvieną dieną, kiekvieną kartą panaudojus	Kas savaitę	Kas pusę metų	Kas metus
Akumulatoriaus įkrovimas				
Valytuvo valymas				
Šepečio / šveitimo pado laikiklio valymas				
Rezervuaro valymas				
Rezervuaro tarpiklių juostų tikrinimas				
Purvo surinkimo dėžutės valymas				
Šepečio / šveitimo pado valymas				
Apsaugos nuo taškymosi valymas				
Valytuvo mentės tikrinimas ir keitimas				
Tirpalo filtro valymas				
Siurbimo filtro valymas				
WET akumulatoriaus skysčio lygio tikrinimas				
Varžtų ir veržlių užveržimo tikrinimas			(1)	
Įpilkite besisukančių dalių tepimo alyvos (kaip stabdžių alyva)			(1)	
Šepečio variklio anglinių šepetėlių tikrinimas ir keitimas				(2)
Siurblio variklio anglinių šepetėlių tikrinimas ir keitimas				(2)
Pavaros sistemos variklio anglinių šepetėlių tikrinimas ir keitimas				(2)

IEVADS**UZMANĪBU!**

Daži vispārīgi un detalizēti dati par mašīnām šajā rokasgrāmatā nav iekļauti. Lūdzu, skatiet PAMATA LIETOŠANAS INSTRUKCIJAS rokasgrāmatu piegādātajā kompaktdiskā izmantojot Adobe® Reader®.

**PIEZĪME**

Skaitļi iekavās attiecas uz komponentiem, kas redzami sadaļā Mašīnas apraksts.

ROKASGRĀMATAS MĒRĶIS UN SATURS

Šīs lietošanas instrukcijas mērķis ir sniegt operatoram visu pamatinformāciju un tehniskos parametrus par mašīnas darbību, mašīnas neaktivitāti, rezerves detaļām un drošības nosacījumiem utt.

Operatoriem un kvalificētiem tehniķiem, pirms ekspluatācijas uzsākšanas, jāizlasa Lietošanas instrukcijas rokasgrāmata. Sazinieties ar mūsu uzņēmumu, ja rodas šaubas par instrukciju interpretāciju vai papildu informāciju.

KĀ UZGLABĀT ŠO LIETOŠANAS INSTRUKCIJU

Lietošanas instrukcija jāglabā netālu no mašīnas, piemērotā korpusa iekšpusē, prom no šķidrumiem un citām vielām, kas to var sabojāt.

ATBILSTĪBAS DEKLARĀCIJA

Atbilstības deklarācija tiek piegādāta kopā ar mašīnu, un tā apliecina mašīnas atbilstību spēkā esošajai likumdošanai.

**PIEZĪME**

Orģinālās atbilstības deklarācijas kopijas tiek piegādātas kopā ar mašīnas dokumentāciju.

PIEDERUMI UN APKOPE

Visas nepieciešamās ekspluatācijas, apkopes un remonta procedūras jāveic kvalificētam personālam, mūsu uzņēmuma nozīmētam apkopes centram. Atļauts izmantot TIKAI oriģinālās vai apstiprinātās rezerves daļas un piederumus.

Sazinieties ar mūsu uzņēmuma klientu apkalpošanas dienestu, lai veiktu jebkādu apkopi vai piederumu vai rezerves daļu iegādi.

IZMAIŅAS UN UZLABOŠANA

Mēs esam apņēmušies nepārtraukti uzlabot savus produktus, un uzņēmums patur tiesības veikt izmaiņas mašīnā un uzlabojumus bez papildu informācijas.

IZMANTOŠANAS JOMA

Skruberis ir paredzēts komerciālai un rūpnieciskai izmantošanai. Tas ir piemērots gludu un cietu grīdu tīrīšanai, ja kvalificēts cilvēks to ekspluatē drošos apstākļos. Tas nav piemērots izmantošanai ārpus telpām, kā arī uz paklāju vai neapstrādātu grīdu tīrīšanai.

MAŠĪNAS IDENTIFIKĀCIJAS DATI

Mašīnas sērijas numurs un modeļa nosaukums ir norādīti uz sērijas etiķetes.

Šī informācija ir noderīga. Izmantojiet šo tabulu, lai pierakstītu mašīnas identifikācijas datus, kad pieprasāt mašīnai rezerves detaļas.

MAŠĪNAS MODELIS.....
MAŠĪNAS SĒRIJAS NUMURS.....

TRANSPORTS UN IEPAKOJUMS

Kad pārvadātājs piegādā mašīnu, pārlicinieties, ka iepakojums un mašīna ir vesela un nesabojāta. Ja tiek novēroti kādi bojājumi, pirms preču pieņemšanas informējiet pārvadātāju par bojājumiem, lai saglabātu tiesības uz zaudējumu atlīdzību.

Izsaiņojot mašīnu, stingri ievērojot instrukcijas uz iepakojuma.

Pārbaudiet iepakojumu, lai pārlicinātos, ka ir iekļautas šādas preces:

1. Tehniskā dokumentācija - lietošanas instrukcija.
2. Akumulatora savienojuma komponenti.
3. Elektroniskā akumulatora lādētāja rokasgrāmata (ja uzstādīta) (*)

DROŠĪBA

Šie simboli norāda uz potenciāli bīstamām situācijām. Vienmēr uzmanīgi izlasiet šo informāciju un veiciet visus nepieciešamos piesardzības pasākumus, lai aizsargātu cilvēkus un īpašumu.

UZ MAŠĪNAS REDZAMIE SIMBOLI**BRĪDINĀJUMS!**

Pirms mašīnas ekspluatācijas uzsākšanas izlasiet visas instrukcijas.

**BRĪDINĀJUMS!**

Nemazgājiet mašīnu zem spiediena vai ar tiešām ūdens strūklām.

**BRĪDINĀJUMS!**

Nelietojiet mašīnu darbam nogāzēs, kuru slīpums pārsniedz specifikāciju sadaļā noteikto..

SIMBOLI, KAS REDZAMI LIETOŠANAS INSTRUKCIJĀ**BĪSTAMI!**

Tas norāda uz bīstamu situāciju ar operatora nāves risku.

**BRĪDINĀJUMS!**

Tas norāda uz iespējamu traumu risku cilvēkiem.

**UZMANĪBU!**

Tas norāda uz piesardzību vai piezīmi, kas saistīta ar svarīgām vai noderīgām funkcijām. Pievērsiet uzmanību rindkopām, kuras apzīmētas ar šo simbolu.

**PIEZĪME**

Tas norāda uz piezīmi, kas saistīta ar svarīgām vai noderīgām funkcijām.

**KONSULTĀCIJA**

Tas norāda uz nepieciešamību pirms jebkuras procedūras veikšanas iepazīties ar Lietošanas instrukcijas rokasgrāmatu.

VISPĀRĪGĀS DROŠĪBAS INSTRUKCIJA

Zemāk ir parādīti īpaši brīdinājumi un piesardzības pasākumi, lai informētu par iespējamu kaitējumu cilvēkiem un mašīnām.

**BĪSTAMI!**

- Saskaņā ar rokasgrāmatu, ar šo mašīnu jāstrādā apmācītam un pilnvarotam personālam.
- Pirms tīrīšanas, apkopes, remonta vai nomaiņas veikšanas uzmanīgi izlasiet visas instrukcijas, pārliecinieties, ka mašīna ir **IZSLĒGTA** un ir atvienots akumulatora savienotājs.
- Nedarbiniet mašīnu toksisku, bīstamu, viegli uzliesmojošu un/vai sprādzienbīstamu pulveru, šķidrums vai tvaiku tuvumā. Šī mašīna nav piemērota bīstamu pulveru savākšanai.
- Nevalkājiet rotaslietas, strādājot tuvu elektriskajiem komponentiem.
- Nestrādājiet zem paceltās mašīnas, neatbalstot to ar drošības stendiem.
- Lietojot svina (WET) akumulatorus, normālā lietošanā tie var izdalīt viegli uzliesmojošu gāzi, tāpēc akumulatoru tuvumā nedrīkst būt dzirksteles, liesmas, smēķēšanas materiāli un izstarojoši, apgaismojoši un degoši priekšmeti.
- Uzlādējot svina (WET) baterijas, tās var izdalīt ūdeņraža gāzi, kas var izraisīt eksploziju. Jānodrošina, lai uzlādes vide būtu labi vēdināta un tajā nebūtu liesmu.

**BRĪDINĀJUMS!**

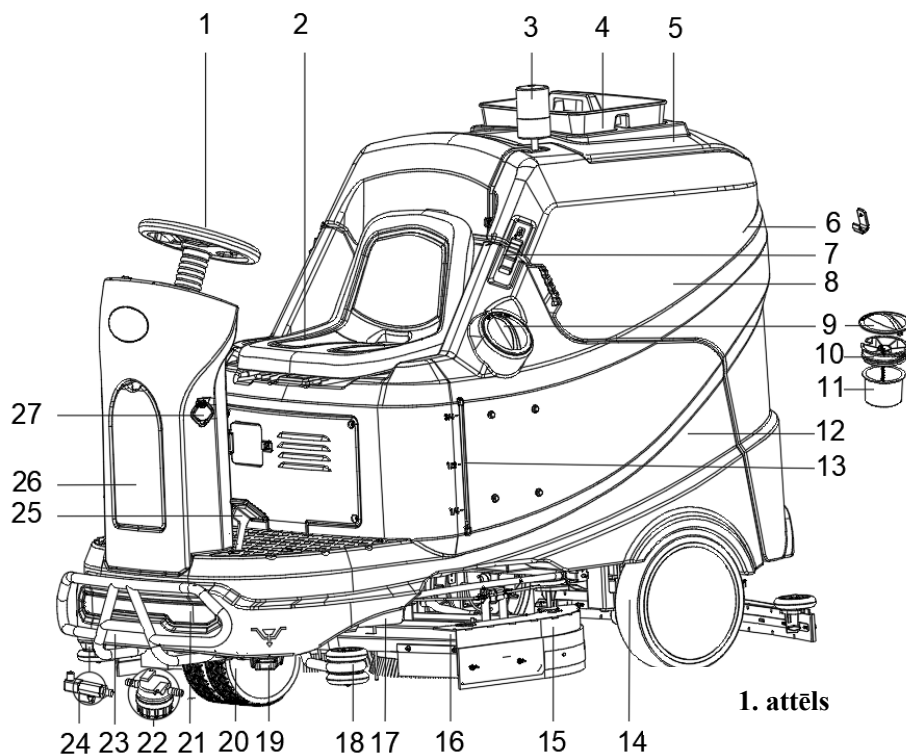
- Šī mašīna ir paredzēta **KOMERCIĀLAI LIETOŠANAI**, piemēram, viesnīcās, skolās, slimnīcās, rūpnīcās, veikalos, birojos un nomas uzņēmumos.
- Mašīnas, kuras atstāj bez uzraudzības, ir jānodrošina pret nejaušu pārvietošanos.
- Lai novērstu neatļautu mašīnas izmantošanu, enerģijas avotu izslēdz vai bloķē, piemēram, noņemot galvenā slēdža atslēgu vai aizdedzes atslēgu.
- Pirms katras lietošanas rūpīgi pārbaudiet mašīnu. Pirms lietošanas pārliecinieties, vai visas sastāvdaļas ir saliktas pareizi. Vaļīgās detaļas var radīt kaitējumu cilvēkiem un īpašumam.
- Nekad nepārvietojiet mašīnu, velkot aiz akumulatora lādētāja kabeli. Neizlaidiet kabeli caur aizvērtām durvīm un nevelciet kabeli ap asām malām vai stūriem. Nebrauciet ar mašīnu pāri akumulatora lādētāja kabelim. Turiet akumulatora lādētāja kabeli prom no apsildāmām virsmām.
- Neuzlādējiet akumulatorus, ja ir bojāts akumulatora lādētāja kabelis vai kontaktdakša.
- Lai samazinātu ugunsgrēka, elektriskās strāvas triecienu vai ievainojumu risku, pirms darba vietas atstāšanas pārliecinieties, ka mašīna ir izslēgta.
- Izmantojiet vai uzglabājiet mašīnu telpās sausos apstākļos. To nav atļauts izmantot ārpus telpām.
- Mašīnas uzglabāšanas un darba temperatūrai jābūt no 0° C līdz +40° C, gaisa mitrumam jābūt no 30% līdz 95%.
- Nelietojiet mašīnu nogāzēs ar slīpumu, kas pārsniedz norādītās specifikācijas.
- Izmantojot un rīkojoties ar grīdas tīrīšanas līdzekļiem, ievērojiet instrukcijas uz mazgāšanas līdzekļu pudeļu etiķetēm un valkājiet piemērotus cimdus un citas aizsargierīces.
- Izmantojiet suku vai spilventiņus, kas piegādāti kopā ar mašīnu vai definēti rokasgrāmatā. Citu suku vai spilventiņu lietošana var mazināt drošību.
- Mašīnas darbības traucējumu gadījumā pārliecinieties, ka tie nav radušies apkopes trūkuma dēļ. Ja nepieciešams, lūdziet palīdzību pilnvarotajam personālam vai pilnvarotajam servisa centram.
- Veiciet visus nepieciešamos piesardzības pasākumus, lai matus, rotaslietas un vaļīgās drēbes neieķertos mašīnas kustīgajās detaļās.
- Nelietojiet mašīnu īpaši putekļainās vietās.

- Nemazgājiet mašīnu zem spiediena vai ar tiešām ūdens strūkļām, vai ar kodīgām vielām.
- Neietricieties plauktos vai sastatnēs, it īpaši vietās, kur pastāv risks nokrist priekšmetiem.
- Nenovietojiet šķidrums tvertnes uz mašīnas, izmantojiet atbilstošo tvertņu turētāju.
- Lai nesabojātu grīdu, neļaujiet sukai/palīktnim darboties, kamēr mašīna stāv uz vietas.
- Ugunsgrēka gadījumā izmantojiet sauso ugunsdzēsšanas pulveri. Nelietojiet šķidros ugunsdzēsamos aparātus.
- Nenoņemiet un neizmainiet mašīnas uzlīmes.
- Neveiciet nekādas izmaiņas mašīnas drošības sargos un stingri ievērojiet plānotās apkopes instrukcijas.
- Mašīnas transportēšanas laikā pievērsiet īpašu uzmanību, kad temperatūra ir zemāka par sasalšanas temperatūru. Ūdens rekuperācijas tvertnē, un šļūtenēs, var sasalst un nopietni sabojāt mašīnu.
- Ja rezerves daļas ir jāmaina, pasūtiet ORIGINĀLĀS rezerves daļas pie pilnvarota izplatītāja vai mazumtirgotāja.
- Nododiet mašīnu servisa centrā, ja tā nedarbojas kā parasti vai ir bojāta.
- Lai nodrošinātu mašīnas pareizu un drošu darbību, pilnvarotajam personālam vai pilnvarotajam dīlerim vai mazumtirgotājam jāveic plānoto apkopi, kas norādīta šīs rokasgrāmatas attiecīgajā nodaļā.
- Mašīna ir pienācīgi jāiznīcina, jo tajā ir toksiski kaitīgi materiāli (akumulatori utt.), uz kuriem attiecas standarti, kas prasa iznīcināšanu īpašos centros (sk. nodaļu Metāllūžņi).
- Šī mašīna ir vienīgi tīrīšanas instruments, un nav paredzēta nekādiem citiem mērķiem,
- Vienmēr pārliecinieties, ka atverēs nav putekļu, matiņu un citu svešķermeņu, kas varētu aprūtināt gaisa plūsmu. Nelietojiet mašīnu, ja atveres ir aizsērējušas.
- Izmantojiet mašīnu tikai tad, ja ir nodrošināts atbilstošs apgaismojums.
- Šī mašīna nav paredzēta lietošanai personām (ieskaitot bērnus) ar ierobežotām fiziskām, maņu vai garīgajām spējām, vai pieredzes un zināšanu trūkumu.
- Ja to lieto bērnu tuvumā, nepieciešama īpaša uzmanība.
- Bērni jāuzrauga, lai viņi nespēlētos ar mašīnu.
- Šīs mašīnas lietošanas laikā uzmanieties, lai netraumētu cilvēkus vai nesabojātu priekšmetus.
- Tīrīšanu un apkopi bērni nedrīkst veikt bez uzraudzības.
- Operatoriem saņems atbilstošas instrukcijas par šo mašīnu lietošanu.
- Nelietojiet mašīnu bez krītošo priekšmetu aizsargkonstrukcijas (FOPS) vietās, kurās operatoru var skart krītoši priekšmeti.

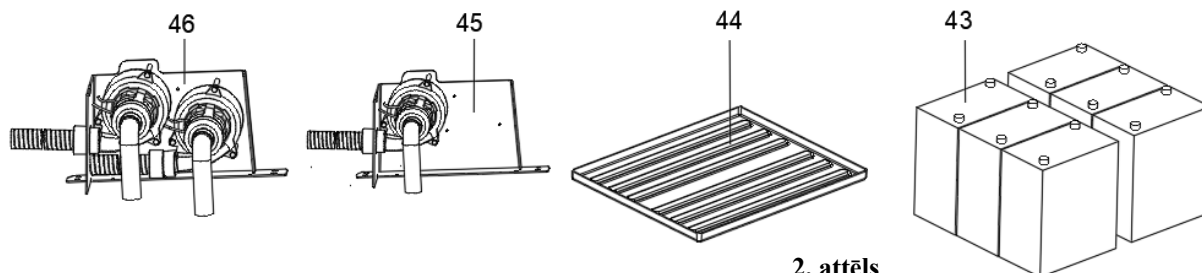
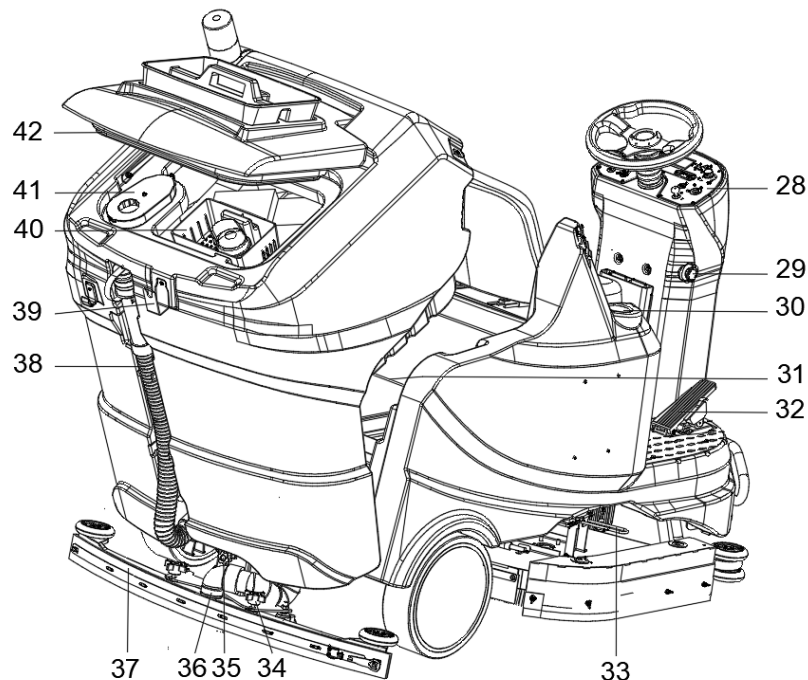
MAŠĪNAS APRAKSTS

MAŠĪNAS UZBŪVE* - izvēles

1. Stūre
2. Sēdeklis, regulējams (ar drošības slēdzi)
3. Signāllampīņa
4. Piederumu kaste (*)
5. Rekuperācijas tvertnes vāks
6. Āķis
7. Fiksators (x2)
8. Rekuperācijas tvertne
9. Filtra vāks
10. Filtra šļūtenes turētājs
11. Filtra atbalsts
12. Šķīduma tvertne
13. Ūdens līmeņa caurule
14. Braukšanas riteņi (ar mehānisko bremzi)
15. Sānu šļakatu aizsargi
16. Birstes mezgls
17. Sūknis
18. Bampera riteņi
19. Šķīduma tvertnes drenāžas pārsegs
20. Priekšējie riteņi
21. Priekšējais gaiss
22. Šķīduma filtrs
23. Priekšējais bamperis
24. Šķīduma noslēgvārsts
25. Mehāniskās bremzes pedālis
26. Iekšējās glabātuves vāks
27. USB uzlādes pieslēgvietā
28. Vadības panelis
29. Avārijas slēdzis
30. Glāziņu turētājs
31. Reģenerācijas tvertnes atbalsta kabelis
32. Akseleratora pedālis
33. Birstes/paliktņa piedziņas ierīces uzstādīšanas apturēšana
34. Skrāpja pogas
35. Skrāpja leņķa regulēšanas poga
36. Skrāpja vakuuma šļūtene
37. Skrāpis
38. Rekuperācijas ūdens novadīšanas šļūtene
39. Skrāpja āķis
40. Atkritumu savākšanas kaste
41. Sūkšanas ieplūdes filtrs
42. Tvertnes vāka blīve
43. Akumulatori (N/A)
44. Akumulatora paliktņi (*)
45. Vakuuma sistēma
46. Duālā vakuuma sistēma (*)



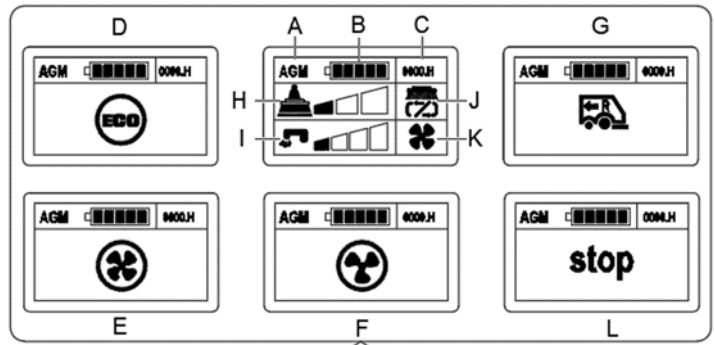
1. attēls



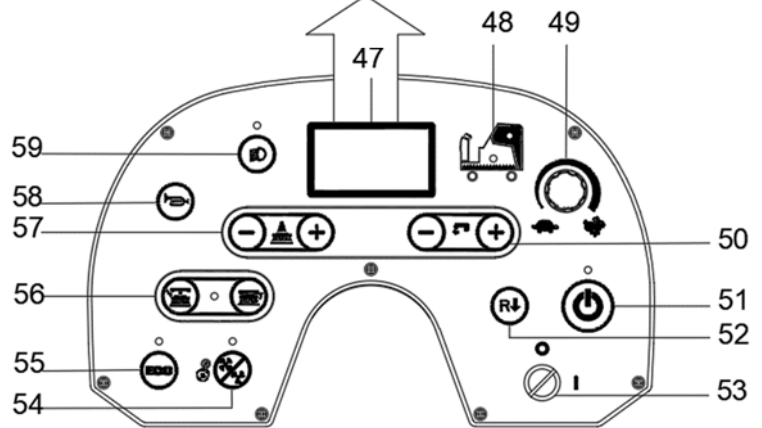
2. attēls

VADĪBAS PANELIS (kā parādīts attēlā)

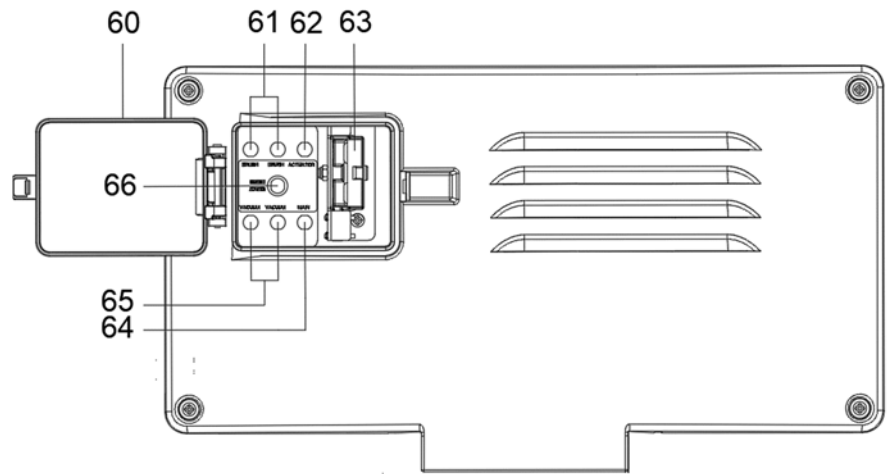
47. Daudzfunkciju displejs
 Parādītie vienumi:
 A) Akumulatora tips
 B) Akumulatora uzlādes līmenis
 C) Nostrādātās stundas
 D) EKO režīms
 E) Putekļsūkšanas normālais režīms
 F) Putekļsūkšanas klusais režīms
 G) Atpakaļgaitas režīms
 H) Aktīvs papildu spiediens
 I) Mazgāšanas līdzekļa šķīduma plūsmas daudzums
 J) Suku darba režīms
 K) Putekļsūkšanas režīms
 L) Sēdekļa drošības slēdzis izslēgts



48. Indikators Reģenerācija tvertne pilna/
 Šķīduma tvertne tukša
 49. Ātruma regulēšanas poga
 50. Šķīduma plūsmas regulēšanas pogas
 51. Palaišana ar vienu pogu
 LED virs pogas - funkcija ieslēgta
 ūdens sistēma (2. līmenis)
 spiediens minimāls (1. līmenis)
 putekļu sūkšanas sistēma kārtībā
 52. Poga "uz priekšu/atpakaļ"
 53. Aizdedzes atslēga (0=IESLĒGTS I=IZS-
 LĒGTS)
 54. Putekļu sūkšanas sistēmas regulēšanas
 poga
 (ieslēgšanai nospiediet pogu uz 1 sekundi)
 ·LED pastāvīgi ieslēgts - parastais režīms
 ·LED mirgo - klusais režīms
 55. EKO režīma poga
 ·LED virs pogas - funkcija ieslēgta
 ·minimālā ūdens plūsma (1. līmenis)
 ·spiediens minimāls (1. līmenis)
 ·Putekļu sūkšana klusuma režīmā
 56. Ar klikšķi uzliekams/noņemams su-
 kas/paliktņa turētājs
 Mirgojoša LED ieslēdzama uzklikšķinot
 57. Suku spiediena regulēšanas pogas
 58. Skaņas signāla poga
 59. Priekšējo gaismu poga
 60. Lādētāja spraudņa vāciņš
 61. Suku motoru pārslodzes aizsargi (30A)
 62. Suku pacelšanas pārslodzes aizsargs (3A)
 63. Lādētāja kontaktdakša
 64. Galvenās vadības ķēdes pārslodzes
 aizsargs (5A)
 65. Putekļu sūcēja motora(-u) pārslodzes
 aizsargs (30A)
 66. Skrāpja pacelšanas pārslodzes aizsargs
 (3A)



3. attēls



4. attēls

TEHNISKIE PARAMETRI

Parametru tips	AS1050R
Spriegums	36 V
Nominālā jauda (IEVADE)	125A/4500W
IP aizsardzības klase	IP24
Šķīduma tvertnes kapacitāte	200 l/53 galoni.
Rekuperācijas tvertnes kapacitāte	200 l/53 galoni.
Skrāpēšanas platums	980mm/35,58 collas
Sukas/paliktna diametrs	508 mm x 2 /20 collas x 2
Sukas/paliktn spiediens (maks.)	90 Kg / 198 mārciņas.
Suku motora jauda (IEVADE)	2 X 1000 vati / 2 X 1.3 ZS
Suku ātrums normālā režīmā	240 apgr/min
Suku ātrums EKO režīmā	175 apgr/min
Šķīduma plūsma (maks.) vienā iestatījumā/minūtē	(1,6/2,3/3,3/4,6) litri / 0,42/ 0,61/0,87/1,22 galoni
Skaņas spiediena līmenis (viens putekļu sūcēja motors)	72 ± 3 dB (A)
Skaņas spiediena līmenis (divi putekļu sūcēja motori) (*)	75 ± 3 dB (A)
Skaņas spiediena līmenis EKO režīmā vai klusuma režīmā	69 ± 3 dB (A)
Putekļsūkšanas motora jauda	600 W / 0,8 ZS
USB uzlāde	MAKS. 5 V 2,4 A
Produktivitāte (maks.)	7840 m ² /h/84389 pēdas ² /h
Darba ātrums	0 - 8 km / 0 - 5 jūdzes stundā
Braukšanas ātrums	0 - 8 km / 0 - 5 jūdzes stundā
Atpakaļgaitas ātrums	0 - 5 km / 0 - 3,1 jūdzes stundā
Piedzīšanas motora jauda (IEVADE)	1600 W / 2,1 ZS
Min. ejas pagrieziena leņķis	2650mm/104 collas
Kāpšanas spēja (maks.) braucot	20%
Kāpšanas spēja (maks.) darbā	16%
Velkošā riteņa diametrs	340mm/13,4 collas
Velkošā riteņa spiediens uz pamatni	0,68 N/mm ²
Priekšējā riteņa diametrs	250 mm/10 collas
Priekšējā riteņa spiediens uz pamatni	0,62 N/mm ²
Roktura vibrācijas līmenis (maks.)	< 2,5 m/s ²
Akumulatora nodalījuma izmērs bez pamatnes (G x P x A)	(680x560x450) mm / 26.7 x 22 x 17.7 collas
Akumulatora nodalījuma izmērs ar pamatni (G x P x A)	(665x550x430) mm / 26.1 x 21.6 x 16.9 collas
Mašīnas garums bez priekšējā bampera	1875mm/73,8 collas
Mašīnas platums bez skrāpja	1077mm/42,4 collas
Mašīnas augstums	1350 mm/53 collas
Mašīnas augstums (Ar virsējo aizsargu)	1955 mm/77 collas
Mašīnas svars ar tukšām tvertnēm (bez akumulatoriem)	398 Kg / 853,6 Lbs.
Pilna transportlīdzekļa masa (PTM)	870 Kg / 1914 Lbs.
Pilna transportlīdzekļa masa (PTM) (Ar virsējo aizsargu)	897 Kg / 1973 Lbs.
Piegādes svars	490 Kg / 1078 Lbs.
Iepakojšanas izmēri (G x P x A)	(2110 x 1220 x 1535 mm) / (83x 48 x 60,4 collas)

(*) : Papildus

LIETOŠANAS INSTRUKCIJA

**BRĪDINĀJUMS!**

Dažos mašīnas punktos ir dažas līmplāksnes, kas norāda:

- BĪSTAMI!
- BRĪDINĀJUMS!
- UZMANĪBU!
- KONSULTĀCIJA

Lasot šo rokasgrāmatu, operatoram jāpievērš uzmanību simboliem, kas norādīti uz plāksnēm. Nekāda iemesla dēļ neizklājiet šīs plāksnes un nekavējoties nomainiet tās, ja tās ir bojātas.

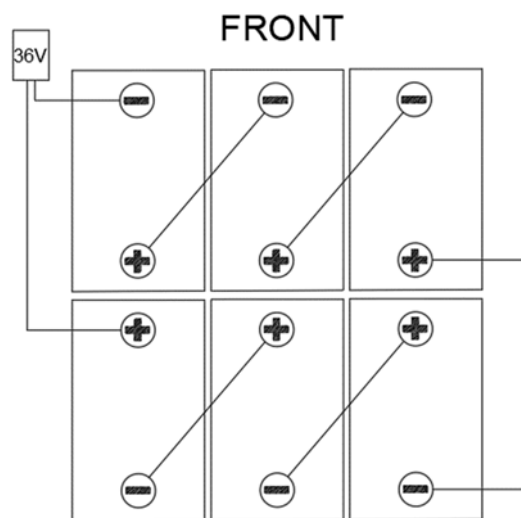
AKUMULATORU PĀRBAUDE/JAUNAS MAŠĪNAS IESTATĪŠANA

**BRĪDINĀJUMS!**

Mašīnas elektriskās detaļas var tikt nopietni bojātas, ja akumulatori ir nepareizi uzstādīti vai pievienoti. Akumulatorus drīkst uzstādīt tikai kvalificēts personāls. Iestatiet akumulatora veidu zemāk norādītajā kārtībā atbilstoši izmantoto akumulatoru tipam (WET vai GEL/AGM/DIS/ENE akumulatori). Pirms uzstādīšanas pārbaudiet, vai akumulatori nav bojāti. Atvienojiet akumulatora savienotāju un akumulatora lādētāja spraudni. Ar akumulatoriem rīkojieties ļoti uzmanīgi. Uzstādiet akumulatora spaiļu aizsardzības vāciņus, kas piegādāti kopā ar mašīnu.

**PIEZĪME**

Mašīnai nepieciešamai seši 6V akumulatori, kas pievienoti un uzstādīti 5. attēlā parādītajās pozīcijās.



5. attēls

Akumulatori mašīnai jau uzstādīti

1. Pārlicinieties, ka akumulatora savienotājs ir pievienots.
2. Pirmoreiz izmantojot mašīnu ar jauniem akumulatoriem, veiciet pilnu uzlādes ciklu (sk. nodaļu Apkope).

Bez akumulatoriem

1. Iegādājieties atbilstošus akumulatorus (sk. sadaļu "Tehniskie dati"). Lai izvēlētos un uzstādītu akumulatoru, sazinieties ar kvalificētiem akumulatoru mazumtirgotājiem.
2. Iestatiet akumulatora veida iestatījumu zemāk aprakstītajā kārtībā.

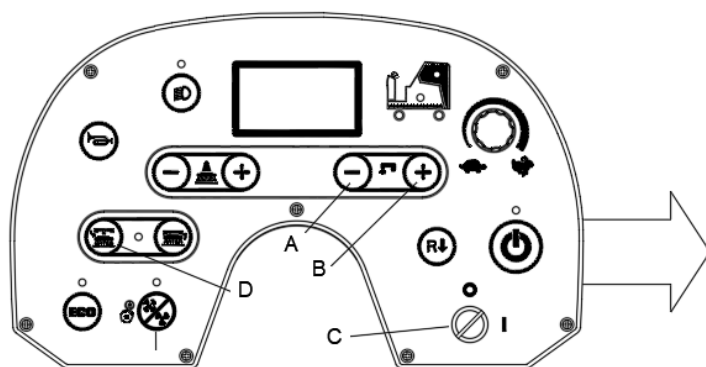
AKUMULATORU UZSTĀDĪŠANA UN AKUMULATORA VEIDA IESTATĪŠANA (WET/GEL/AGM/DIS/ENE)**Akumulatora uzstādīšana**

1. Atveriet kreiso un labo fiksatoru (1. attēls 7).
2. Atveriet rekuperācijas tvertnes vāku (5, 1. attēls) un pārbaudiet, vai rekuperācijas tvertne (8, 1. attēls) ir tukša, pretējā gadījumā iztukšojiet izmantojot noplūdes šļūteni.
3. Aizveriet rekuperācijas tvertnes vāku (5, 1. attēls).
4. Paceliet rekuperācijas tvertni (8, 1. attēls).
5. Atvienojiet reģenerācijas tvertnes vadu un noņemiet visu reģenerācijas tvertnes bloku.
6. Izskrūvējiet vienu reģenerācijas tvertnes pagriešanas vada skrūvi (2. 31. attēls) un pagrieziet atpakaļ.
7. Izskrūvējiet četras reģenerācijas tvertnes apakšā esošās skrūves.
Mašīna tiek piegādāta ar vadiem, kas ir piemēroti sešu 6 V akumulatoru uzstādīšanai. Uzmanīgi ievietojiet akumulatorus nodalījumā, pēc tam pareizi uzstādiet tos, kā parādīts 5. attēlā. Pareizi ievietojiet akumulatora stiprinājuma plāksni.
8. Izvadiet un uzstādiet akumulatora vadu, kā parādīts 5. attēlā, pēc tam rūpīgi pievelciet uzgriezni uz katra akumulatora termināļa.

9. Uzlieciet aizsargvāciņu katram terminālim, pēc tam pievienojiet akumulatora savienotāju pie mašīnas.
10. Salieciet visu rekuperācijas tvirtnes bloku demontāžas apgrieztā secībā.
11. Uzmanīgi nolaidiet rekuperācijas tvirtni.

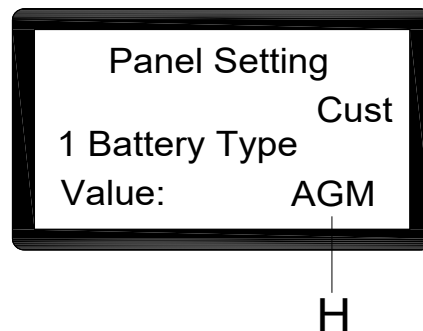
Akumulatora veida iestatījums (WET/GEL/AGM/DIS/ENE) Piekļuve akumulatora režīma izvēlei

Atkarībā no akumulatora veida (WET/GEL/AGM/DIS/ENE) iestatiet mašīnu šādi:



6. attēls

Access to select battery mode



H

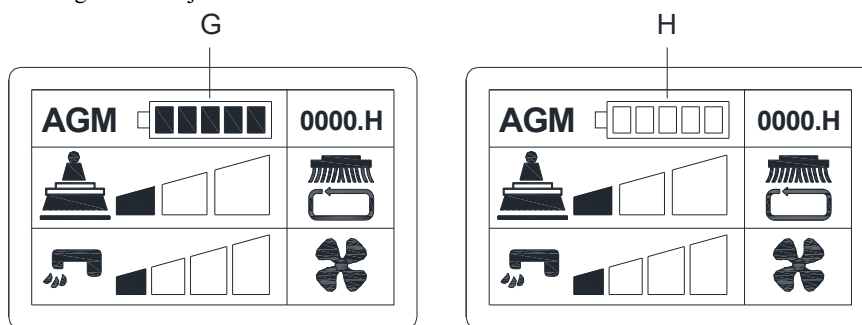
1. Vienlaikus nospiediet ūdens plūsmas pogu “-” (A, 6. attēls) un “+” (B, 6. attēls).
2. Ievietojiet aizdedzes atslēgu (C, 6. attēls) un tad pagrieziet to uz “I”.
3. Dažas sekundes vēlāk ieejiet akumulatora režīma izvēles ekrānā (6. attēls).
4. Nospiediet ūdens plūsmas pogu “-” (A, 6. attēls) un “+” (B, 6. attēls), lai izvēlētos akumulatora režīmu (H, 6. attēls).
5. Nospiediet atlaišanas pogu (D, 6. attēls), Pēc 3 sekundēm parādīsies “Update OK”, kas nozīmē, ka iestatīšana ir veikta; restartējiet mašīnu. (C, 6. attēls)

Akumulatora uzlāde

Pilnībā uzlādējiet akumulatorus (sk. nodaļu Apkope).

Akumulatora izlāde

Kad akumulatoru šablons ir pilns (G, 7. attēls), akumulatori ir pilnībā uzlādēti. Kad akumulatoru līmenis ir zems (H, 7. attēls), akumulatori ir jāuzlādē. Dažas sekundes pēc tam, kad parādījies zems akumulatora uzlādes līmenis, suku motori tiek automātiski izslēgti, kamēr piedziņas sistēma paliek ieslēgta. Nekavējoties brauciet ar mašīnu uz noteikto uzlādes vietu.



7. attēls

SUKU/PAKLIKŅU TURĒTĀJU UZSTĀDĪŠANA UN NOŅEMŠANA



PIEZĪME

Uzstādiet vai nu suku (A, 8. attēls), vai paliktņu turētāju (B un C, 8. attēls) atbilstoši tīrāmās grīdas veidam.



UZMANĪBU!

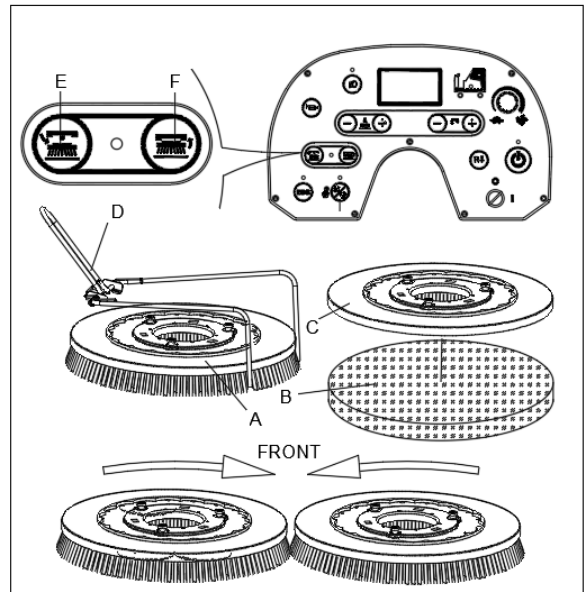
Pirms sukas vai paliktņa turētāja uzstādīšanas vai noņemšanas pārliecinieties, ka visi mehānismi ir izslēgtā stāvoklī un skrāpis ir pacelts no grīdas. Operatoram jābūt aprīkotam ar piemērotām personāla aizsardzības ierīcēm, piemēram, cimdiem, lai samazinātu negadījumu risku.

Rīkojieties šādi:**UZSTĀDĪŠANA:**

1. Ievietojiet aizdedzes atslēgu (53, 3. attēls) un pagrieziet to uz "I". Paceliet klāju.
2. Ievietojiet suku (A, 8. attēls) vai paliktņu turētājus (B, 8. attēls) zem klāja. Izmantojiet suku uzstādīšanas atduri (D, 8. attēls), lai atrastu pareizo suku/paliktņa turētāja stāvokli.
3. Uzstādiēt suku/paliktņu turētāju, nospiežot suku/paliktņa turētāja uzlikšanas pogu (F, 8. attēls), suka/paliktņa turētājs tiek uzstādīts automātiski. Attēlots rotācijas virziens (8. attēls). Mirgos LED gaismas indikators.

NOŅEMŠANA:

1. Ievietojiet aizdedzes atslēgu (53, 3. attēls) un pagrieziet to uz "I". Pārliecinieties, vai suka/paliktņa turētājs ir pacelts (UP). Noņemiet suku/paliktņu turētāju, nospiežot suku/paliktņa turētāja atbrīvošanas pogu (E, 8. attēls), suka/paliktņa turētājs tiek automātiski atbrīvots. LED gaismas indikators degs pastāvīgi.

**8. attēls**

Ja nospiežat suku noklikšķināšanas pogu un nospiediet ieklikšķināšanas pogu, jums jāizslēdz aizdedzes atslēga, pēc tam tā jāieslēdz, un tad mašīna var darboties vēlreiz.

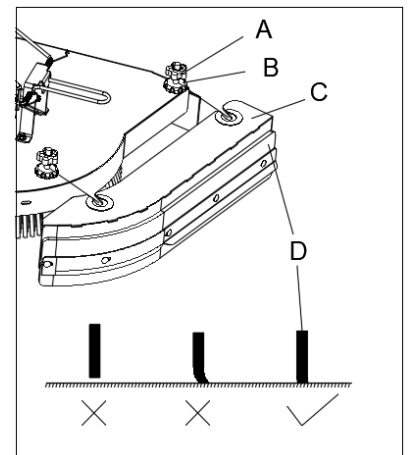
SĀNU ŠĻAKATU AIZSARGU LĪDZSVARA REGULĒŠANA

Jāuzrauga un jānoregulē šļakatu aizsargu augstums. Tīrot ar mašīnu, pārbaudiet sānu šļakatu aizsargu darbību.

- A. Ja šļakatu aizsargi ir pārāk augstu, atstarpe starp šļakatu aizsargu (D) un grīdu pagriezienu laikā atstās uz grīdas ūdeni.
- B. Ja šļakatu aizsargi ir pārāk zemu, šļakatu aizsargs (D) nolieksies pārāk tālu, atstājot ūdeni pagriezienos un saīsinot šļakatu aizsarga kalpošanas laiku.
- C. Pareizs regulējums ir tad, ja šļakatu aizsargi viegli pieskaras grīdai no šļakatu aizsarga priekšpusē līdz aizmugurei.

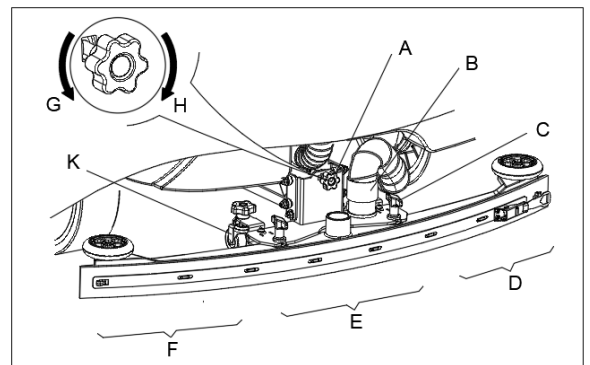
Regulēšanas procedūra ir šāda:

1. Pārliecinieties, ka platforma ir pacelta.
2. Atbrīvojiet augšējās noturošos uzgriežņus (A) un noņemiet šļakatu aizsargu.
3. Regulējiet apakšējās noturošos uzgriežņus (B) uz augšu/uz leju.
4. Uzlieciet atpakaļ šļakatu aizsargu un pārbaudiet noregulējumu.
5. Atkārtojiet 3. un 4. darbību pēc nepieciešamības, līdz šļakatu aizsarga regulējums ir pareizs.
6. Pievelciet augšējās noturošos uzgriežņus (A), lai nostiprinātu regulējumu.
7. Atkārtojiet šo procedūru ar otras puses šļakatu aizsargu.

**9. attēls****SKRĀPJA LĪDZSVARA REGULĒŠANA**

1. Uzstādiēt skrāpi un pievelciet uzgriežņus (C, 10. attēls), pēc tam pievienojiet putekļu sūkšanas šļūteni (B) pie skrāpja.
2. Noregulējiet skrāpi, izmantojot skrāpja regulēšanas rokturi (A).
 - a) Ja starp zemi un aizmugurējā skrāpja asmeņa (E) vidējo daļu ir atstarpe, noregulējiet to, pagriežot pogu (A) pulksteņa rādītāja kustības virzienā (H), līdz viss aizmugurējā skrāpja asmens labi saskaras ar zemi, bet priekšējais asmens pieskaras zemei tikai nedaudz.
 - b) Ja starp zemi un aizmugurējā skrāpja asmeņa abiem galiem (D un F) ir atstarpe, pagrieziet pogu (A) pretēji pulksteņa rādītāja kustības virzienam (G), līdz viss aizmugurējā skrāpja asmens labi saskaras ar zemi, bet priekšējais asmens pieskaras zemei tikai nedaudz.

Ja nepieciešams, noregulējiet visa skrāpja augstumu, regulējot ritenīša (K) augstumu.

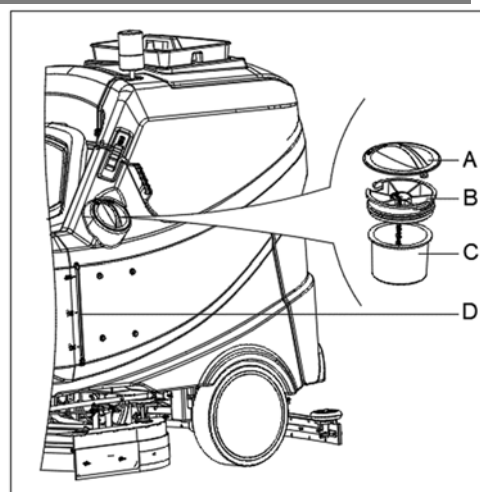
**10. attēls**

ŠĶĪDUMA TVERTNES PIEPILDĪŠANA

1. Atveriet ūdens ieplūdes vāku (A, 11. attēls).
2. Piepildiet tvertni ar ūdeni vai šķīdumu caur ūdens ieplūdes vietu, kas aprīkota ar filtru.
Šķīduma temperatūra nedrīkst pārsniegt + 40 °C (+ 104F).
3. Nepārpildiet tvertni, sekojiet līdz ūdens līmenim ūdens līmeņa indikatorā (D).

**BRĪDINĀJUMS!**

Izmantojiet tikai mazgāšanas līdzekļus ar mazu putu saturu, un neuzliesmojošus mazgāšanas līdzekļus, kas paredzēti automātiskai tīrīšanai.



11. attēls

PIEDZIŅAS MOTORA UN MEHĀNISKO BREMŽU PĀRBAUDE

1. Pagrieziet aizdedzes atslēgu (A, 12. attēls) stāvoklī "I", sēdiet uz sēdekļa (C).
2. Nedaudz nospiediet akceleratora pedāli (D) un pēc tam atlaidiet to, lai pārbaudītu, vai mašīnu var vadīt uz priekšu un apturēt.
3. Lai garantētu drošību, pārliecinieties, ka mašīnu var apturēt nekavējoties, nospiežot avārijas pogu (B). Pagrieziet avārijas pogu, lai to atiestatītu.
4. Ātri nospiediet mehānisko bremžu pedāli (F), lai pārbaudītu, vai mašīnu var nekavējoties apturēt.

**BRĪDINĀJUMS!**

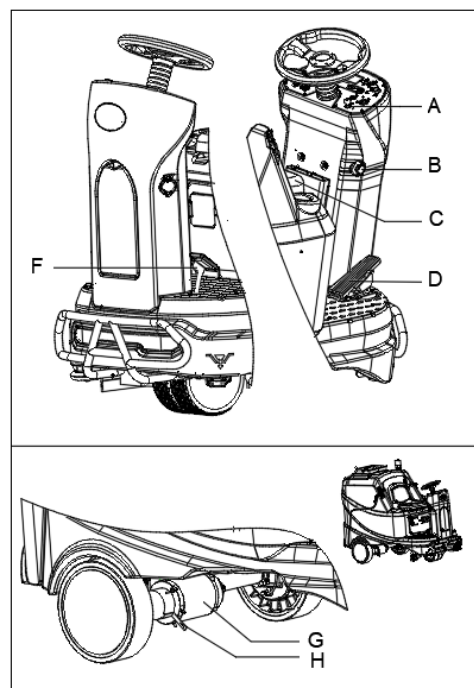
Darba pacēlums nedrīkst pārsniegt 16%. Strādājot uz nogāzes, tvertnes fiksatoriem (1. attēls 7) jābūt saslēgtiem. Drošības apsvērumu dēļ nekad neapturiet to uz nogāzes.

Braucot pa virsmu ar maksimālo slīpumu 20%, noregulējiet ātruma ierobežošanas potenciometru maksimālā ātruma pozīcijā jau iepriekš. Braucot pa slīpu virsmu, nospiediet akceleratora pedāli līdz tā maksimālajam stāvoklim.

Ja mazgājat slīpumā ar maksimālo slīpumu 16%, noregulējiet ātruma ierobežošanas potenciometru maksimālā ātruma pozīcijā jau iepriekš. Ja displejā redzams paziņojums "Error 4, Tra Overload", noregulējiet suku spiedienu uz zemāko iestatījumu.

Ja braucot augšup pa slīpu virsmu konstatējat, ka mašīnas ātrums kļūst lēnāks un tas ir tuvu apstāšanās stāvoklim, un displejā parādās uzraksts "Error 4, Tra Overload", nekavējoties atlaidiet gāzes pedāli un piespiediet mehānisko bremzi.

Ja braucot augšup pa slīpu virsmu redzams paziņojums "Error 4, Tra Overload", nekavējoties apstājieties un ieslēdziet mehānisko bremzi, izslēdziet atslēgas slēdzi un pēc tam ieslēdziet atslēgu, lai restartētu mašīnu un pārtrauktu virzīšanos augšup. Noregulējiet ātruma ierobežojuma potenciometru lēnā ātruma pozīcijā un pēc tam nospiediet atpakaļgaitas pogu, atlaidiet mehānisko bremzi, viegli piespiediet akceleratoru, lai mašīna varētu lēnām virzīties atpakaļ, līdz tiek sasniegta zemāka slīpuma pakāpe.



12. attēls

**UZMANĪBU**

Piedziņas motora bremze tiek atlaista, kad motors darbojas normāli, tā bloķējas, kad motors ir izslēgts. Dažos īpašos gadījumos, tādos kā mašīnas iepakošana/izsaiņošana, mašīnas kļūme u.c., mašīnu var būt nepieciešams stumt. Uz piedziņas motora (G, 12. attēls) nospiediet bremžu rokturi (H, 12. attēls) uz leju, mašīnas bremze tiek atlaista un mašīnu var pārvietot. Pēc pabeigšanas pastumiet rokturi atpakaļ uz augšu, lai mašīna varētu strādāt.

MAŠĪNAS IEDARBONĀŠANA UN APTURĒŠANA**Mašīnas iedarbināšana**

1. Sagatavojiet mašīnu, kā tas aprakstīts iepriekšējā rindkopā.
2. Apsēdieties sēdekli (K, 13. attēls), ievietojiet aizdedzes atslēgu (J, 13. attēls) un pagrieziet to pozīcijā "I". Displeja ekrānā pārbaudiet akumulatora stāvokli. Ja nepieciešams, pilnībā uzlādējiet akumulatorus (sk. nodaļu Apkope).
3. Brauciet ar mašīnu uz darba zonu.

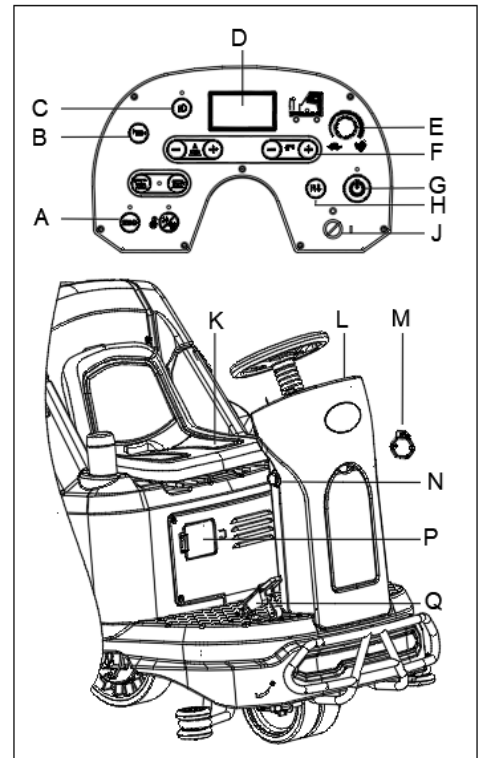
Virzienu uz priekšu/atpakaļ var kontrolēt ar slēdzi (H, 13. attēls). Braukšanas ātrumu var regulēt ar regulatoru (E, 13. attēls).

4. Nospiediet pogu palaišanai ar vienu pogu (G, 13. attēls), lai iedarbinātu mašīnu, tīrītājs un sukuks automātiski nolaižas uz grīdas un sāk darboties putekļu sūcēja motors.
5. Pēc vajadzības spiediet šķīduma plūsmas vadības pogas (F, 13. attēls) atkarībā no veicamās tīrīšanas veida.
6. Nospiediet akceleratora pedāli (Q, 13. attēls) un sāciet tīrīšanu.
7. Varat uzlādēt tālruni vai planšetdatoru, izmantojot USB uzlādes ligzdu (M, 13. attēls), kad aizdedzes atslēga (J, 13. attēls) ir pagriezta uz "I".
8. Nospiediet skaņas signāla pogu (B, 13. attēls), lai nepieciešamības gadījumā brīdinātu cilvēkus.
9. Ja nepieciešams, nospiediet avārijas pogu (N, 13. attēls), lai veiktu mašīnas avārijas apturēšanu.
10. Ja nepieciešams, nospiediet priekšējo gaismu pogu (C, 13. attēls), lai redzētu tumšas zonas vai brīdinātu gājējus.
11. Ja nepieciešams, noregulējiet sēdekli (K, 13. attēls), pagriežot pa labi rokturi sēdekļa labajā pusē, tad iebīdīet sēdekli pareizā stāvoklī.



PIEZĪME

Sukas motoru, putekļu sūcēja motoru, piedziņas motoru un vadības ķēdi aizsargā pārslodzes aizsargs (P, 13. attēls). Pārslodzes aizsargam nostrādājot, neatstatiet to uzreiz, ja nav noskaidrots pamatcēlonis, un pirms atiestatīšanas pārlicinieties, ka motors ir atdzisis.



13. attēls

Mašīnas apturēšana

12. Atlaidiet akceleratora pedāli (Q, 13. attēls), un mašīna pārstās darboties.
13. Nospiediet pogu palaišanai ar vienu pogu (G, 13. attēls), lai apturētu sukuks un putekļu sūcēja motoru. Sukuks un skrāpis tiek automātiski pacelti no grīdas. Putekļu sūkšanas sistēma izslēgsies pēc dažām sekundēm.
14. Pagrieziet aizdedzes atslēgu uz "0".
15. Pārlicinieties, ka mašīna nevar pārvietoties patstāvīgi.

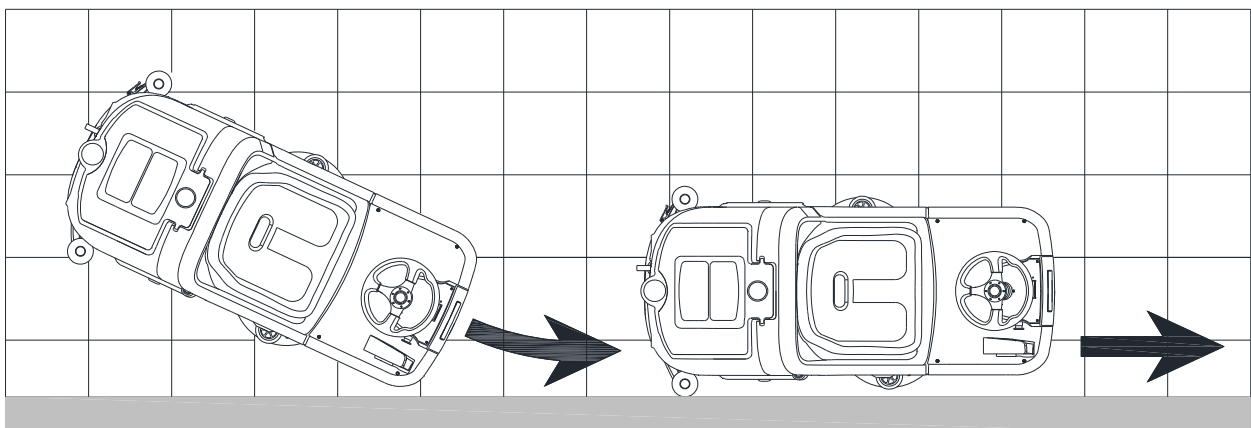
MAŠĪNAS LIETOŠANA (TĪRĪŠANA UN ŽĀVĒŠANA)

1. Iedarbiniet mašīnu, kā aprakstīts iepriekšējos punktos.
2. Sāciet tīrīšanu, izpildot sadaļā "Mašīnas iedarbināšana" aprakstītās procedūras.
3. Ja nepieciešams, apstādiniet mašīnu, lai noregulētu sānu šļakatu aizsargus atbilstoši sadaļai "Sānu šļakatu aizsargu līdzsvara regulēšana".
4. Ja nepieciešams, apstādiniet mašīnu, lai noregulētu skrāpi atbilstoši sadaļai "Skrāpja līdzsvara regulēšana".



PIEZĪME

Pareizai grīdu beršanai/žāvēšanai sienu malās. Ieteicams gar sienām iet ar mašīnas labo pusi (A un B, 14. attēls), kā parādīts attēlā.



14. attēls

TVERTNES IZTUKŠOŠANA

Reģenerācijas ūdens tvertnes iztukšošana

Kad daudzfunkciju displejā (47, 3. attēls) parādās ERROR24 un pilnas reģenerācijas tvertnes indikators (48, 3. attēls) ir ieslēgts. Tas norāda, ka reģenerācijas tvertne (C, 15. attēls) ir pilna, putekļu sūcēja motors vairs nevar nožāvēt grīdu. Iztukšojiet reģenerācijas tvertni šādi:

1. Apturiet mašīnu.
2. Paceliet sukas/paliktņu turētāja klāju un skrāpi, nospiežot pogu palaišanai ar vienu pogu (51, 3. attēls).
3. Nekavējoties brauciet ar mašīnu uz likvidācijas vietu.
4. Iztukšojiet reģenerācijas ūdens tvertni, izmantojot šļūteni (D, 15. attēls). Pēc tam izskalojiet tvertni (C, 15. attēls) ar tīru ūdeni.



UZMANĪBU!

Izlejot notekūdeņus, turiet drenāžas šļūteni augstu un atlokiet augšējo daļu, lai nepieļautu izšļakstīšanos uz operatora.

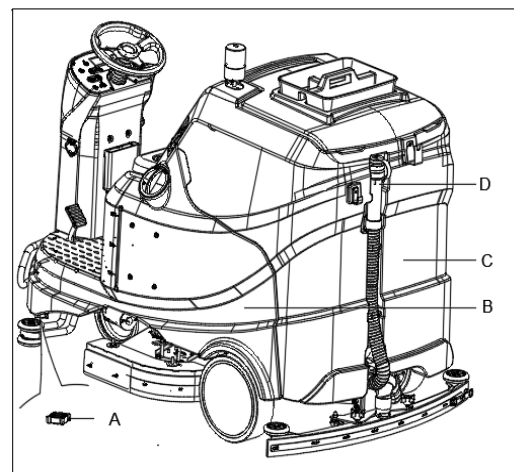
Šķīduma/tīrā ūdens tvertnes iztukšošana

1. Iztukšojiet šķīduma tvertni ar izplūdes vāku (A, 15. attēls). Pēc darba izskalojiet tvertni ar tīru ūdeni.

PĒC MAŠĪNAS LIETOŠANAS

Pēc darba, pirms atstājat mašīnu:

1. Noņemiet sukas/paliktņu turētājus, nospiežot atbrīvošanas pogu (56, 3. attēls), un notīriet tos.
2. Iztukšojiet tvertnes (B un C, 15. attēls), kā norādīts iepriekšējā nodaļā.
3. Veiciet ikdienas apkopes procedūras (sk. nodaļu Apkope).
4. Uzglabājiet mašīnu tīrā un sausā vietā, paceļot vai noņemot sukas/paliktņu turētājus un skrāpi.
5. Izmantojiet reģenerācijas tvertnes vāka balstu, lai turētu vāku atvērtu. Tas palīdzēs novērst smaku uzkrāšanos iekšpusē.



15. attēls

MAŠĪNAS UZGLABĀŠANA ILGAI DĪKSTĀVEI

Ja mašīna netiks lietota ilgāk par 30 dienām, rīkojieties šādi:

1. Veiciet procedūras, kas norādītas nodaļā Pēc mašīnas lietošanas.
2. Atvienojiet akumulatora savienotāju.

PIRMAIS LIETOŠANAS PERIODS

Pēc pirmajām 8 stundām pārbaudiet, vai mašīnas stiprinājumi un savienojošās daļas ir pareizi pievilktas, un pārbaudiet, vai redzamās daļas nav nodilušas un vai nav noplūdes.

APKOPE



BRĪDINĀJUMS!

Pēc mašīnas izslēgšanas un akumulatora lādētāja kabeļa atvienošanas jāveic apkopes procedūras. Turklāt uzmanīgi izlasiet rokasgrāmatā iekļautās nodaļas par drošību.

Visas plānotās vai ārkārtas tehniskās apkopes procedūras jāveic kvalificētam personālam vai pilnvarotam servisa centram. Šajā rokasgrāmatā aprakstītas tikai vispārīgās un ierastās apkopes procedūras.

Par citām apkopes procedūrām, kas nav norādītas tālāk esošajā apkopes grafika tabulā, lūdzu, sazinieties ar mūsu tehniskā atbalsta nodaļu.

PLĀNOTĀS APKOPES TABULA



UZMANĪBU!

Procedūra, kas apzīmēta ar (1), jāveic, kad mašīna izmantota pirmās 8 stundas. Procedūra, kas apzīmēta ar (2), jāveic servisa centram ko sertificējis mūsu uzņēmums.

Procedūra	Katru dienu, pēc katras lietošanas reizes	Katru nedēļu	Reizi sešos mēnešos	Reizi gadā
Akumulatora uzlāde				
Skrāpja tīrīšana				
Suku/palikņa turētāja tīrīšana				
Tvertnes tīrīšana				
Tvertnes blīvēšanas sloksnes pārbaude				
Atkritumu savākšanas kastes tīrīšana				
Sukas/palikņa tīrīšana				
Šļakatu aizsarga tīrīšana				
Skrāpja asmens pārbaude un nomaiņa				
Šķīduma filtra tīrīšana				
Sūkšanas iekļūdes filtra tīrīšana				
WET akumulatora šķidrums līmeņa pārbaude				
Skrūvju un uzgriežņu hermētiskuma pārbaude			(1)	
Pievienojiet smēreļļu rotējošām daļām (piemēram, bremžu eļļu)			(1)	
Sukas motora oglekļa sukas pārbaude vai nomaiņa				(2)
Putekļsūkšanas motora oglekļa sukas pārbaude vai nomaiņa				(2)
Piedziņas sistēmas motora oglekļa sukas pārbaude vai nomaiņa				(2)

INLEIDING



VOORZICHTIG!

Enige algemene en gedetailleerde informatie is niet opgenomen in deze handleiding.
Raadpleeg de SNELSTARTGIDS op de meegeleverde cd-rom die door Adobe® Reader® wordt gelezen.



OPMERKING

De cijfers tussen haakjes verwijzen naar de onderdelen weergegeven in het hoofdstuk over de Machinebeschrijving.

DOEL VAN DE GIDS EN INHOUD

In deze gebruiksaanwijzing vindt de gebruiker alle basisinformatie en technische kenmerken, de werking, de stilstand van de machine, reserveonderdelen en veiligheidsvoorwaarden, enz.

Alvorens enige procedure aan de machine uit te voeren, moeten de bedieners en gekwalificeerde technici de gebruiksaanwijzing lezen. Neem contact op met ons bedrijf in geval van twijfel over de interpretatie van de instructies of voor meer informatie.

HOE DEZE GEBRUIKSAANWIJZING TE BEWAREN VOOR GEBRUIK

De gebruiksaanwijzing moet worden bewaard in de buurt van de machine, in een geschikte tas, uit de buurt van vloeistoffen en andere stoffen die kunnen leiden tot schade aan het document.

VERKLARING VAN OVEREENSTEMMING

Verklaring van overeenstemming wordt geleverd met de machine en verklaart dat de machine in overeenstemming is met het geldende recht.



OPMERKING

De kopieën van de oorspronkelijke verklaring van overeenstemming worden geleverd samen met de machinedocumentatie.

ACCESSOIRES EN ONDERHOUD

Alle noodzakelijke gebruiks-, onderhouds- en reparatieprocedures moeten worden uitgevoerd door gekwalificeerd personeel, of door een door ons bedrijf aangewezen dienstcenter. ALLEEN geautoriseerde reserveonderdelen en accessoires mogen gebruikt worden.

Neem contact op met de klantendienst van ons bedrijf voor elke service of aankoop van accessoires of reserveonderdelen indien nodig.

VERANDERING EN VERBETERING

Wij zetten ons in voor de continue verbetering van onze producten, het bedrijf behoudt het recht om de machinewijzigingen en verbeteringen uit te voeren zonder dit bijkomend te moeten meedelen.

TOEPASSINGSGBIED

De scrubber wordt gebruikt voor commercieel en industrieel gebruik. De machine is geschikt voor het reinigen van een gladde en stevige vloer terwijl gebruikt door een gekwalificeerd personeel in veilige omstandigheden. De machine is niet geschikt voor gebruik buitenshuis, tapijten of reiniging van ruwe vloeren.

IDENTIFICATIEGEGEVENS VAN DE MACHINE

Het serienummer van de machine en de naam van het model zijn op het serielabel vermeld.

Deze informatie is nuttig. Gebruik de volgende tabel om de identificatiegegevens van de machine te noteren wanneer reserveonderdelen vereist worden voor de machine.

MODEL MACHINE.....
SERIENUMMER MACHINE.....

VERVOER EN UITPAKKEN

Wanneer de vervoerder de machine levert moet er gecontroleerd worden of de verpakking en de machine zijn onbeschadigd zijn. Indien enige schade wordt vastgesteld, moet de vervoerder hiervan op de hoogte gesteld worden voordat de goederen worden aanvaard om het recht op vergoeding voor schade te behouden.

Volg strikt de aanwijzingen op de verpakking bij het uitpakken van de machine.

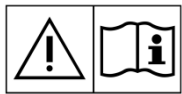
Controleer de verpakking om ervoor te zorgen de volgende items zijn opgenomen:

1. Technische documentatie - Gebruiksaanwijzing.
2. Componenten voor de aansluiting van de accu.
3. Handleiding van de acculader (indien geïnstalleerd) (*)

VEILIGHEID

De volgende symbolen wijzen op potentieel gevaarlijke situaties. Lees altijd deze informatie aandachtig en nemen alle nodige voorzorgsmaatregelen ter bescherming van mensen en bezittingen.

ZICHTBARE SYMBOLEN OP DE MACHINE



WAARSCHUWING!

Lees alle instructies zorgvuldig door voordat u enige actie uitvoert met de machine.



WAARSCHUWING!

Was de machine met directe of onder druk staande waterstralen.



WAARSCHUWING!

Gebruik de machine niet om te werken op hellingen groter dan aangegeven in het hoofdstuk met specificaties.

SYMBOLEN AANGEGEVEN OP DE GEBRUIKSAANWIJZING



GEVAAR!

Dit geeft aan dat een gevaarlijke situatie bestaat met risico op overlijden voor de gebruiker.



WAARSCHUWING!

Dit geeft aan dat er een potentieel risico bestaat op verwonding voor mensen.



VOORZICHTIG!

Dit geeft een waarschuwing of opmerking gerelateerd aan belangrijke of nuttige functies. Besteed aandacht aan de alinea's die voorzien zijn van dit symbool.



OPMERKING

Dit geeft een opmerking weer gerelateerd aan belangrijke of nuttige functies.



RAADPLEGEN

Dit geeft aan dat u de gebruiksaanwijzing moet raadplegen voordat u een procedure uitvoert.

ALGEMENE VEILIGHEIDSINSTRUCTIE

Specifieke waarschuwingen en waarschuwingen ter informatie over de potentiële verwondingen voor mensen en schade aan machines worden hieronder weergegeven.



GEVAAR!

- Deze machine moet worden bediend door opgeleide en geautoriseerde medewerkers volgens richtlijnen uit de handleiding.
- Voor elke reinigings-, onderhouds-, reparatie- of vervangingsprocedure moeten alle instructies aandachtig gelezen worden, controleer dat de machine **UITGESCHAKELD** is en verbreek het contact met de accuconnector.
- Gebruik de machine niet in de buurt van giftige, gevaarlijke, ontvlambare en/of explosieve poeders, vloeistoffen of damp. Deze machine is niet geschikt voor het verzamelen van gevaarlijke poeders.
- Draag geen sieraden bij het werken in de buurt van elektrische onderdelen.
- Werk niet onder de opgeheven machine zonder dat het ondersteund wordt met veiligheidssteunen.
- Bij het gebruik van loodzuuraccu's (NATTE type) kunnen deze ontvlambaar gas uitstoten bij normaal gebruik. Zorg ervoor dat vonken, vlammen, rokende, gloeiende en brandende materialen uit de buurt van de accu's worden gehouden.
- Bij het opladen van loodzuuraccu's (NATTE type) kan waterstofgas vrijkomen dat explosies kunnen veroorzaken. Zorg ervoor dat de oplaadruimte goed geventileerd is en dat er geen open vuur aanwezig is.



WAARSCHUWING!

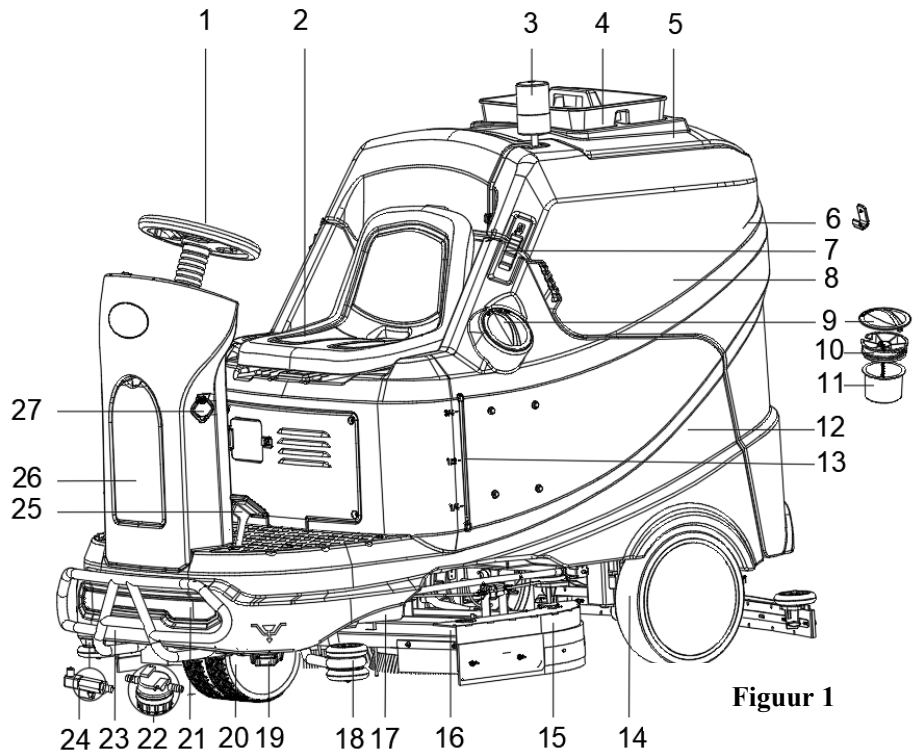
- Deze machine is bestemd voor **COMMERCIEEL GEBRUIK**, bijvoorbeeld in hotels, scholen, ziekenhuizen, fabrieken, winkels, kantoren en verhuurbedrijven.
- Machines die onbeheerd worden achtergelaten, moeten worden beveiligd tegen onbedoelde verplaatsing.
- Om onbevoegd gebruik van de machine te voorkomen, moet de stroombron worden uitgeschakeld of afgesloten, bijvoorbeeld door de sleutel van de hoofdschakelaar of de contactsleutel te verwijderen.
- Controleer de machine zorgvuldig vóór elk gebruik. Controleer voor gebruik of alle onderdelen goed gemonteerd zijn. Losse onderdelen kunnen schade aan personen en eigendommen veroorzaken.
- Verplaats de machine nooit door aan de oplaadkabel te trekken. Geleid de kabel nooit via een gesloten deur, scherpe randen of hoeken. Gebruik de machine niet met aangesloten oplaadkabel. Houd de oplaadkabel van de accu uit de buurt van hete oppervlakken.
- Laad de accu's niet op als de kabel van de acculader of de stekker beschadigd zijn.
- Om het risico van brand, elektrische schokken of letsels te beperken moet er gecontroleerd worden of de machine is uitgeschakeld.
- Gebruik of bewaar de machine binnenshuis in droge omstandigheden, het is niet toegestaan voor gebruik buitenshuis.
- De bedrijfstemperatuur voor gebruik en opslag moet liggen tussen 0 °C en + 40 °C, de vochtigheid van de lucht moet liggen tussen 30% - 95%.
- Gebruik de machine niet op hellingen groter dan aangegeven in de specificaties.
- Volg bij het gebruik en de behandeling van vloerreinigingsmiddelen de instructies op de etiketten van de wasmiddelflessen en draag geschikte handschoenen en andere beschermende middelen.
- Gebruik borstels en pads die bij de machine zijn geleverd of in de handleiding zijn aangegeven. Het gebruik van andere borstels of pads kan de veiligheid beperken.
- Bij storingen aan de machine dient u te controleren of dit eventueel te wijten is aan gebrekkig onderhoud. Indien nodig verzoek om bijstand van geautoriseerd personeel of een erkend Service Center.
- Neem alle nodige voorzorgsmaatregelen om te voorkomen dat haren, sieraden en losse kleren in de bewegende delen van de machine verstrikt raken.
- Gebruik de machine niet in bijzonder stoffige omgevingen.

- Was de machine met directe of onder druk staande waterstralen of corrosieve stoffen.
- Stoot niet tegen planken of steigers aan, vooral niet als er gevaar bestaat voor vallende voorwerpen.
- Plaats geen containers met vloeistoffen op de machine, gebruik de betreffende blikkenhouder.
- Om beschadiging van de vloer te voorkomen, mag u de borstel/pads niet laten werken terwijl de machine stilstaat.
- Gebruik in geval van brand een droge poederblusser. Gebruik geen vloeibare brandblussers.
- Verwijder of wijzig de etiketten van de machine niet.
- Knoei niet met de veiligheidsvoorzieningen van de machine en volg nauwkeurig de geplande onderhoudsinstructies.
- Let tijdens het transport van de machine op wanneer de temperatuur onder het vriespunt ligt. Het water in de vuilwatertank en in de slangen kan bevroren en ernstige schade aan de machine veroorzaken.
- Als reserveonderdelen moeten worden vervangen, bestel dan ORIGINELE-reserveonderdelen bij een erkende dealer of detailhandelaar.
- Breng de machine terug naar het Service Center als het niet naar behoren werkt of als het beschadigd is.
- Om een goede en veilige werking van de machine te garanderen, moet het geplande onderhoud dat in het desbetreffende hoofdstuk van deze handleiding wordt getoond, worden uitgevoerd door bevoegd personeel of een geautoriseerde dealer of detailhandelaar.
- De machine moet op de juiste wijze worden afgevoerd vanwege de aanwezigheid van giftige schadelijke materialen (accu's, enz.), die onderworpen zijn aan normen die in speciale centra moeten worden afgevoerd (zie hoofdstuk "Sloop").
- Deze machine is uitsluitend een reinigingsgereedschap en is niet bedoeld voor enig ander doel.
- Houd de openingen altijd vrij van stof, haren en andere vreemde voorwerpen die de luchtstroom kunnen verminderen. Gebruik de machine niet als de openingen zijn verstopt.
- Gebruik de machine alleen op plaatsen waar een goede verlichting aanwezig is.
- Deze machine is niet bedoeld voor gebruik door personen (inclusief kinderen) met verminderde fysieke, zintuiglijke of mentale capaciteiten, of door personen met gebrek aan ervaring en kennis.
- Bij gebruik in de buurt van kinderen dient u goed op te letten.
- Kinderen moeten onder toezicht staan om ervoor te zorgen dat ze niet met de machine spelen.
- Zorg ervoor dat u tijdens het gebruik van deze machine geen schade aan personen of voorwerpen veroorzaakt.
- Reiniging en onderhoud mogen niet zonder toezicht door kinderen worden uitgevoerd.
- De bedieners moeten adequaat worden geïnstrueerd over het gebruik van deze machines.
- Gebruik de machine niet zonder een constructie ter beveiliging tegen vallende voorwerpen (FOPS) in gebieden waar het waarschijnlijk is dat de bestuurder door vallende objecten wordt geraakt.

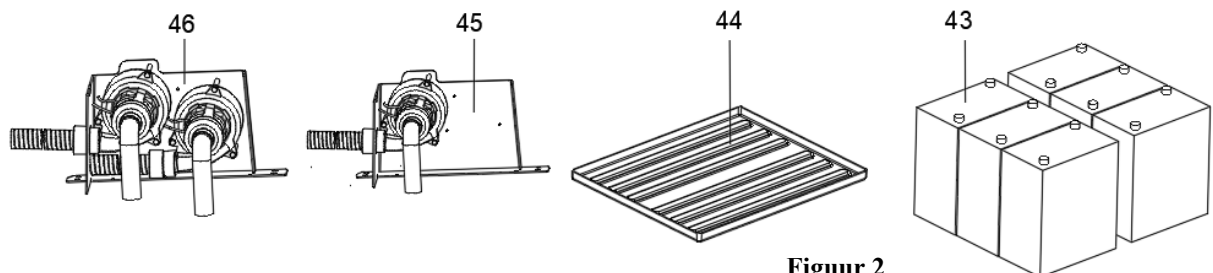
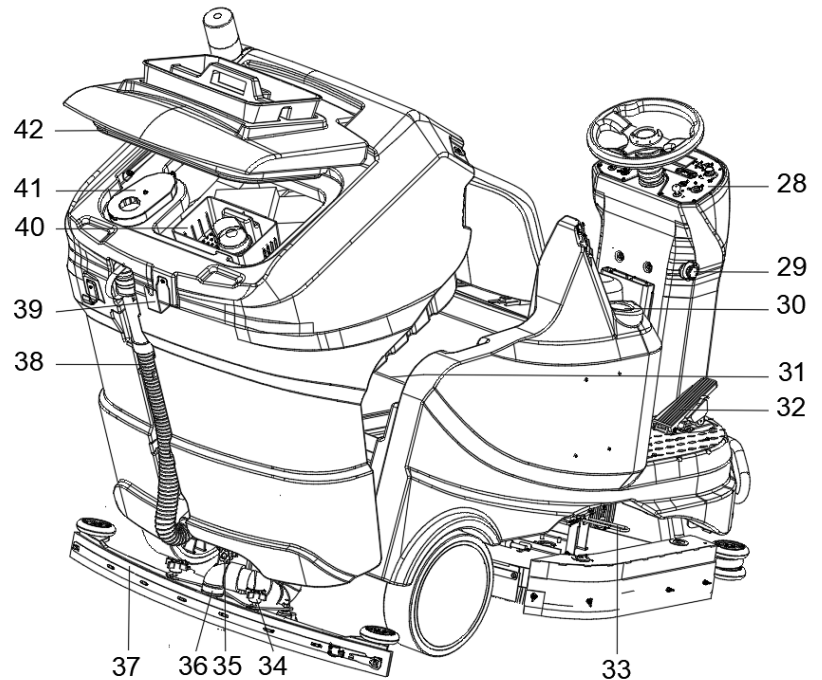
BESCHRIJVING VAN DE MACHINE

MACHINESTRUCTUUR* - optioneel

1. Stuurwiel
2. Stoel, verstelbaar (met veiligheidsschakelaar)
3. Waarschuwingslampje
4. Nutscaddy (*)
5. Deksel vuilwatertank
6. Haak
7. Vergrendeling (x2)
8. Vuilwatertank
9. Filterdeksel
10. Filter slanghouder
11. Filtersteun
12. Oplossingstank
13. Waterpeilbuis
14. Rijwielen (met mechanische rem)
15. Zijwaartse spatborden
16. Borstelsamenstel
17. Pomp
18. Stootwielen
19. Afvoerdeksel oplossingstank
20. Voorwielen
21. Voorlichten
22. Oplossingsfilter
23. Voorbumper
24. Afsluiter oplossing
25. Mechanische rempedaal
26. Interne opberghoes
27. USB-poort voor het opladen
28. Bedieningspaneel
29. Noodschakelaar
30. Bekerhouder
31. Steunkabel vuilwatertank
32. Versnellingspedaal
33. Installatiestop borstel/paddriver
34. Knoppen voor zuigmond
35. Hoekinstelknop zuigmond
36. Vacuümslang voor zuigmond
37. Zuigmond
38. Vuilwaterafvoerslang
39. Haak zuigmond
40. Afvalverzamelbox
41. Vacuüminlaatfilter
42. Tankklep pakking
43. Accu's (N.v.t.)
44. Accuvak (*)
45. Vacuümsysteem
46. Dubbel vacuümsysteem (*)



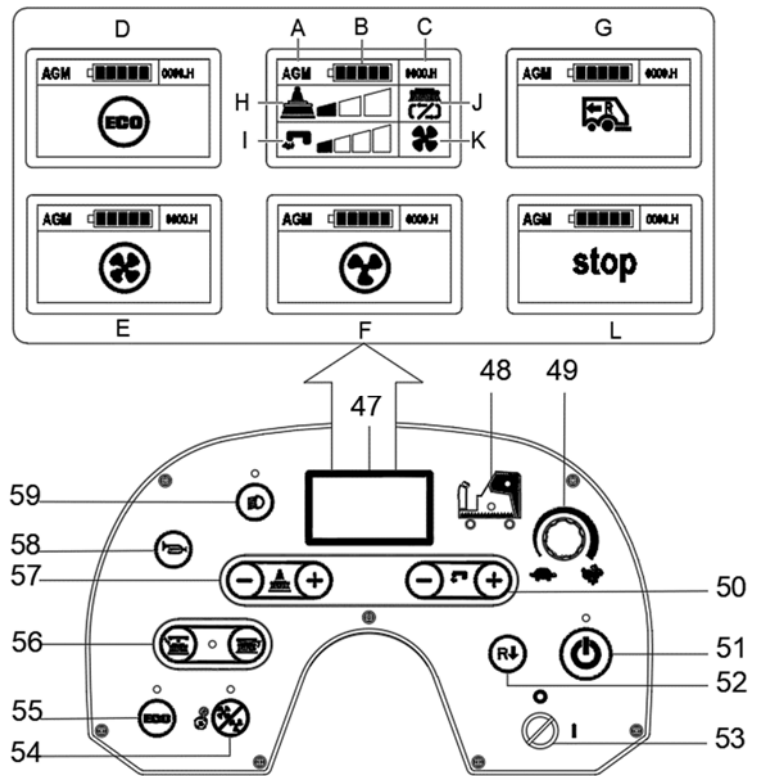
Figuur 1



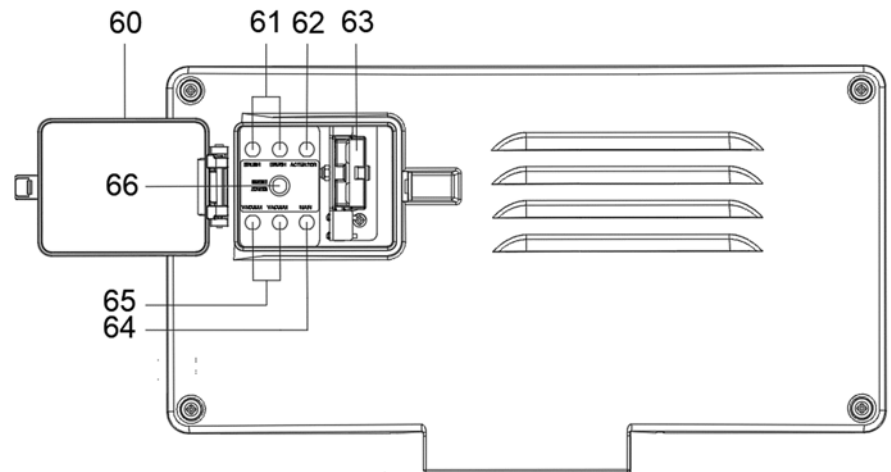
Figuur 2

BEDIENINGSBORD (zoals getoond)

- 47. Multifunctioneel display
Weergegeven items:
A) Type accu
B) Laadniveau van de accu
C) Gewerkte uren
D) ECO-modus
E) Vacuüm in normale modus
F) Vacuüm stille modus
G) Achteruit-modus
H) Extra druk actief
I) Debiet reinigingsmiddeloplossing
J) Borstel bedieningsmodus
K) Vacuüm modus
L) Veiligheidsschakelaar stoel uit
- 48. Vuilwatertank vol/indicator oplossingstank leeg
- 49. Snelheidsregelknop
- 50. Instelknop reinigingsmiddeloplossing
- 51. Startknop
·Led aan boven knop-functie geactiveerd
·watersysteem (niveau 2)
·druk op minimum (niveau 1)
·vacuümsysteem normaal
- 52. Vooruit/achteruit-knop
- 53. Contactsleutel (0=AAN I=UIT)
- 54. Instelknop vacuümsysteem (druk 1 seconde op de knop om te activeren)
·Led vast brandend-normale modus
·LED knippert - Stille modus
- 55. Toets ECO-modus
·Led aan boven knop-functie geactiveerd
·waterdebiet op minimum (niveau 1)
·druk op minimum (niveau 1)
·Vacuüm in stille modus
- 56. Borstel/padhouder klik op aan/uit
·LED Knippert-Klik op geactiveerd
- 57. Instelknoppen borsteldruk
- 58. Knop voor seinhoorn
- 59. Knop voorlicht
- 60. Bedekking laadstekker
- 61. Borstelmotoren overbelastingsbeschermer (30A)
- 62. Borstel heffen overbelastingsbeschermer (3A)
- 63. Laadstekker
- 64. Overbelastingsbeveiliging hoofdbesturingscircuit (5A)
- 65. Vacuümmotor(en) overbelastingsbeschermer (30A)
- 66. Overbelastingsbeveiliging zuigmond optillen (3A)



Figuur 3



Figuur 4

TECHNISCHE PARAMETERS

Type parameter	AS1050R
Spanning	36 V
Nominaal vermogen (INGANG)	125A/4500W
IP-klasse	IP24
Inhoud oplossingstank	200L / 53 Gal.
Inhoud vuilwatertank	200L / 53 Gal.
Schrobbreedte	980mm / 35.58 Inches
Diameter borstel/pad	508 mm x 2 / 20 Inches x 2
Borstel/pad druk (Max)	90 Kg / 198 Lbs.
Borstelmotorvermogen (INGANG)	2 X 1000 Watt / 2 X 1.3 HP
Borstelsnelheid in normale modus	240 TPM
Borstelsnelheid in ECO-modus	175 TPM
Oplossingsstroom (max.) per instelling/minuut	(1,6/2.3/3,3/4,6) Liter/0.42/0.61/0.87/1.22Gal
Geluidsdruk niveau (één vacuümmotor)	72 ± 3 dB (A)
Geluidsdruk niveau (twee vacuümmotoren) (*)	75 ± 3 dB (A)
Geluidsdruk niveau in de ECO-modus of in de stille modus	69 ± 3 dB (A)
Vacuüm motorvermogen	600 W / 0,8 HP
USB-oplader	5V 2.4A MAX.
Productiviteit (max.)	7840 m ² /h/84389 ft ² /h
Werksnelheid	0 – 8 Km / 0 – 5 mijlen per uur
Voorwaartse snelheid	0 – 8 Km / 0 – 5 mijlen per uur
Achteruitgangssnelheid	0 – 5 Km / 0 – 3,1 mijlen per uur
Aandrijfmotor vermogen (INGANG)	1600 W / 2,1 HP
Min. bocht	2650mm/104 Inches
Klimvermogen (max.) vervoer	20%
Klimvermogen (max.) werken	16%
Diameter aandrijf wiel	340mm / 13.4 Inches
Specifieke druk van het aandrijf wiel op de vloer	0,68 N/mm ²
Diameter van het voorwiel	250 mm / 10 Inches
Specifieke druk van het voorwiel op de vloer	0,62 N/mm ²
Handgreep trillingsniveau (max.)	< 2,5 m/s ²
Afmetingen accuhouder zonder vak (L x B x H)	(680x560x450) mm / 26,7 x 22 x 17,7 inches
Afmetingen accuhouder met vak (L x B x H) (*)	(665x550x430) mm / 26,1 x 21,6 x 16,9 Inches
Lengte machine zonder voorbumper	1875mm/73.8 Inches
Machinebreedte zonder zuigmond	1077mm/42.4 Inches
Machinehoogte	1350 mm / 53 Inches
Machinehoogte (Met overkapping)	1955 mm / 77 Inches
Machinewicht met lege tanks (zonder accu's)	398 Kg / 853.6 Lbs.
Maximum bruto voertuiggewicht (GVW)	870 Kg / 1914 Lbs.
Maximum bruto voertuiggewicht (GVW) (Met overkapping)	897 Kg / 1973 Lbs.
Verzendgewicht	490 Kg / 1078 Lbs.
Verpakkingsafmetingen (L x B x H)	(2110 x 1220 x 1535 mm) / (83 x 48 x 60,4 Inches)

(*) : Optioneel

WERKINGSGIDS

**WAARSCHUWING!**

Op sommige plaatsen op de machine zijn er zelfklevende plaatjes aangebracht die het volgende aangeven:

- GEVAAR!
- WAARSCHUWING!
- VOORZICHTIG!
- OVERLEG

Bij het lezen van deze handleiding moet de bediener rekening houden met de symbolen die op de platen staan. Bedek deze plaatjes niet voor welke reden dan ook niet en vervang deze onmiddellijk indien beschadigd.

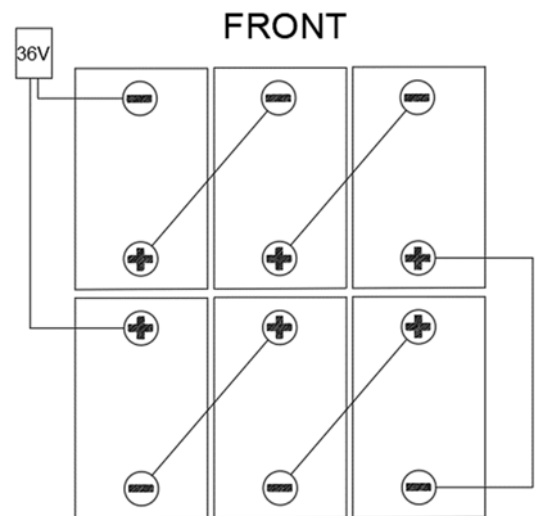
ACCU CONTROLE/INSTELLING OP EEN NIEUW TOESTEL

**WAARSCHUWING!**

De elektrische onderdelen van de machine kunnen ernstig worden beschadigd als de accu's verkeerd geïnstalleerd of aangesloten zijn. De accu's moeten door bevoegd onderhoudspersoneel worden geïnstalleerd. Stel het type accu in volgens de onderstaande procedure, afhankelijk van het gebruikte type accu (NAT of GEL/AGM/DIS/ENE-accu's). Controleer de accu's voor de installatie op beschadigingen. Ontkoppel de accu-connector en de aansluiting voor de acculader. Hanteer de accu's met de grootste zorg. Installeer de accu-terminalbeschermingafdekking verstrekt met de machine.

**OPMERKING**

De machine heeft zes 6V accu's nodig, aangesloten en geïnstalleerd in de posities weergegeven in Figuur 5.



Figuur 5

Accu's die al op de machine zijn geïnstalleerd

1. Zorg ervoor dat de accuconnector is aangesloten.
2. Wanneer u de machine voor het eerst gebruikt met nieuwe accu's, is u een volledige laadcyclus nodig (zie de procedure in het hoofdstuk Onderhoud).

Zonder accu's

1. Koop geschikte accu's (zie de paragraaf "Technische gegevens"). Neem voor de keuze en installatie van de accu's contact op met gekwalificeerde accuverkopers.
2. Stel de accutype-instelling in volgens de onderstaande procedure.

INSTALLATIE VAN DE ACCU EN ACCU TYPE-INSTELLING (NAT/ GEL / AGM/ DIS/ ENE)**Accu installeren**

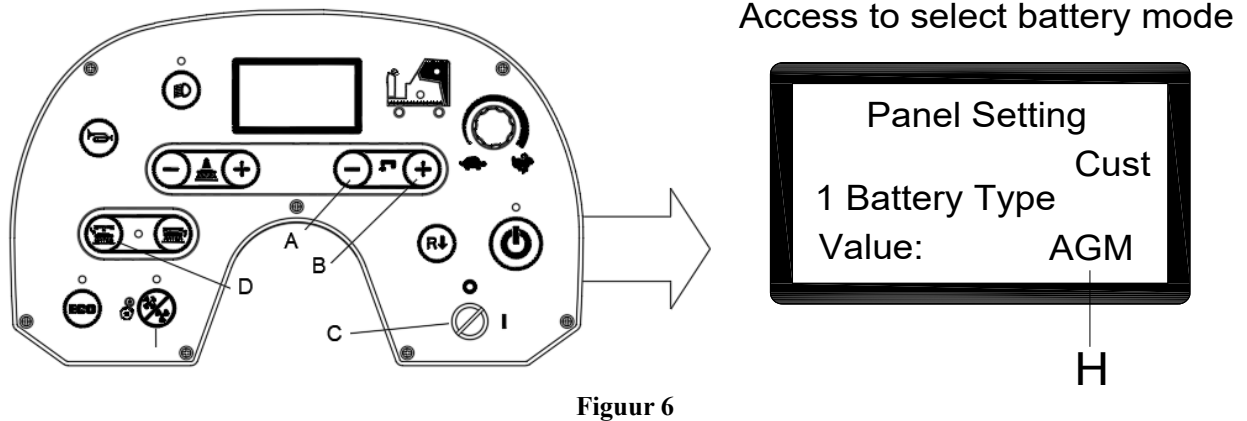
1. Open de linker en rechter vergrendelingen (7, Figuur 1).
2. Open het deksel van de vuilwatertank (1, Figuur 1) en controleer of de vuilwatertank (8, Figure 8) leeg is; anders moet deze met de afvoerslang worden geleegd. (38, Figuur 2).
3. Sluit het deksel van de vuilwatertank (5, Figuur 1).
4. Til de vuilwatertank (8, Figuur 1) voorzichtig omhoog.
5. Maak de kabel van de vuilwatertank los en verwijder de hele vuilwatertank.
6. Verwijder één schroef van de keerkabel van de vuilwatertank (31, Figuur 2) en draai terug.
7. Verwijder de vier schroeven van de vuilwatertank aan de onderkant.
De machine wordt geleverd met geschikte kabels voor het installeren van 6V accu's. Plaats de accu's voorzichtig in de houder en installeer ze dan correct zoals getoond in Figuur 5. Plaats de vaste plaat van de accu op de juiste wijze.
8. Leid en installeer de accukabel zoals aangegeven in Figuur 5 en draai vervolgens de moer van elke accuklem voorzichtig vast.

9. Plaats de beschermkap op elke klem en sluit vervolgens de accuconnector aan op de machine.
10. Monteer de hele vuilwatertank in de omgekeerde volgorde van de demontage.
11. Laat dan zorgvuldig de vuilwatertank zakken.

Instelling accutype (NAT/GEL/AGM/DIS/ENE)

Toegang tot selectie van het accutype

Afhankelijk van het type accu (WET/GEL/AGM/DIS/ENE), stelt u de machine als volgt in:



1. Druk tegelijkertijd op de watertoevoerknop "-" (A, Figuur 6) en "+" (B, Figuur 6).
2. Steek de contactsleutel (C, Figuur 6) in en draai deze naar "I".
3. Enkele seconden later komt u op het scherm voor het selecteren van het accutype (Figuur 6).
4. Druk op de watertoevoerknop "-" (A, Figuur 6) en "+" (B, Figuur 6) om het accutype te selecteren (H, Figuur 6)
5. Druk op de ontgrendelknop (D, Figuur 6), 3 seconden later verschijnt: "Update OK", ter bevestiging van de keuze, herstart de machine. (C, Figuur 6).

Opladen van de accu

Laad de accu's volledig op (zie de werkwijze in het hoofdstuk Onderhoud).

Ontladen accu's

Wanneer de laadindicator vol is (G, Figuur 7), zijn de accu's volledig opgeladen. Wanneer de laadindicator laag is (H, Figuur 7), moeten de accu's worden opgeladen. Enkele seconden nadat een laag niveau op de laadindicator is weergegeven, worden de borstelmotoren automatisch uitgeschakeld, terwijl het aandrijfsysteem ingeschakeld blijft. Rijd de machine onmiddellijk naar de aangewezen oplaadplaats.



INSTALLATIE EN VERWIJDERING BORSTEL/PADHOUDER



OPMERKING

Installeer ofwel borstel (A, Figuur 8) of de padhouder (B en C, Figuur 8) volgens het type vloer dat moet worden gereinigd.



VOORZICHTIG!

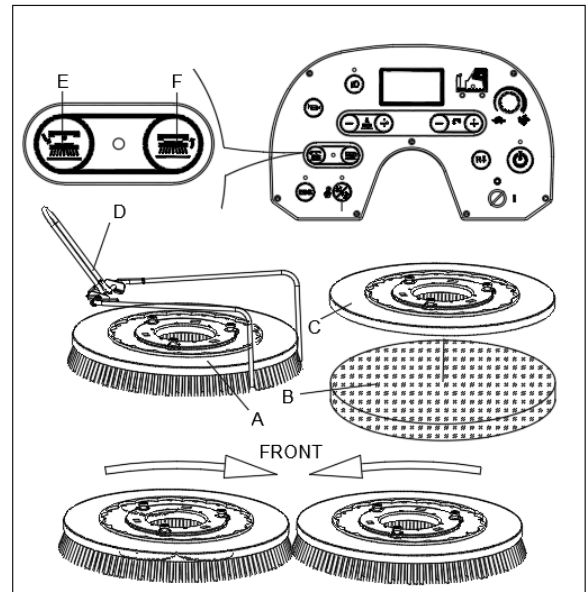
Voordat u de borstel of padhouder installeert of verwijdert, moet u zich ervan vergewissen dat alle schakelaars op de machine uitgeschakeld zijn en dat de zuigmond van de vloer is getild. De bediener moet uitgerust zijn met geschikte persoonlijke beschermingsmiddelen, zoals handschoenen, om de kans op ongelukken te beperken.

Ga als volgt te werk:**INSTALLEREN:**

1. Steek de contactsleutel (53, Figuur 3) in en draai deze naar "I". Til het dek op.
2. Plaats de borstels (A, Figuur 8) of de padhouder (B, Figuur 8) onder het dek. Gebruik de installatiestop van de borstel (D, Figuur 8) om de juiste positie van de borstel/padhouder te helpen vinden.
3. Installeer de borstel-/padhouder door op de knop borstel-/padhouder te drukken (F, Figuur 8), de borstel-/padhouder wordt automatisch geïnstalleerd. De draairichting wordt weergegeven (Figuur 8). Het LED-indicatielampje zal knipperen.

VERWIJDEREN:

1. Insert the Ignition key (53, Figure 3) Steek de contactsleutel (53, Figuur 3) in en draai deze naar "I". Zorg ervoor dat de borstel/padhouder omhoog staat. Verwijder de borstel-/padhouder door op de knop borstel-/padhouder te drukken (E, Figuur 8), de borstel-/padhouder wordt automatisch vrijgeven. Het LED-indicatielampje zal vast branden.

**Figuur 8**

Indien de borstel is uitgeschakeld en weer ingeschakeld moet de motor worden gestopt en weer gestart om verder te kunnen werken.

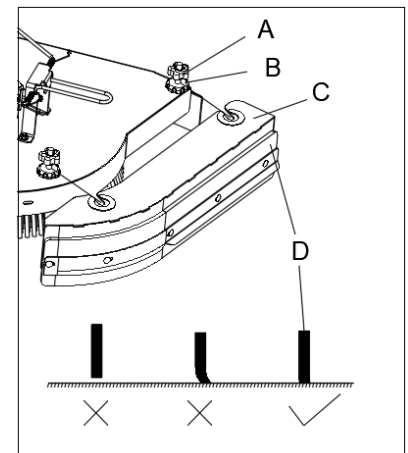
HET UITBALANCEREN VAN DE ZIJDELINGSE SPATBORDEN

De hoogte van de spatborden moet worden bewaakt en aangepast. Controleer tijdens het reinigen met de machine de prestaties van de zijdelingse spatborden.

- A. Als de spatborden te hoog zijn, zal de opening tussen de spatborden (D) en de vloer tijdens beurten water op de vloer laten.
- B. Als de spatborden te laag zijn, zal de spatborden (D) te ver afbuigen, waardoor water achterblijft tijdens beurten en de levensduur van de spatborden wordt verkort.
- C. Een goede afstelling is wanneer de spatborden voor en achter de vloer licht raken.

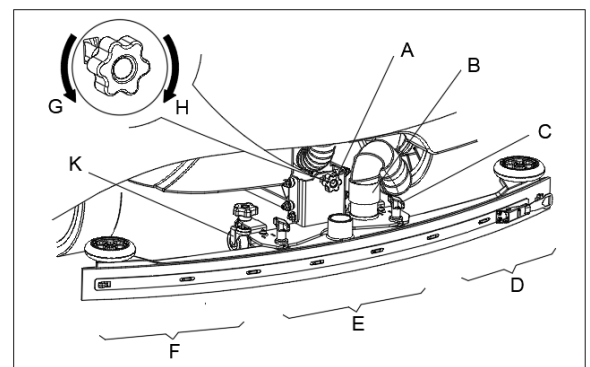
Stel de procedure als volgt in:

1. Zorg ervoor dat het dek omhoog staat.
2. Draai de bovenste borgmoeren los (A) en verwijder het spatbordsamenstel
3. Stel de onderste borgmoeren (B) omhoog/omlaag af.
4. Installeer de spatborden opnieuw en controleer de afstelling.
5. Herhaal 3. & 4 zoals vereist totdat de spatborden correct zijn afgesteld.
6. Draai de bovenste borgmoeren los (A) om de afstelling vast te zetten.
7. Herhaal de procedure aan het spatbord aan de andere kant.

**Figuur 9****DE ZUIGRUBBER BALANCEREN**

1. Installeer de zuigrubber en draai de moeren (C, Figuur 10), vast en sluit vervolgens de zuigslang (B) aan op de zuigmond.
2. Pas de zuigrubber aan door het aanpassen van de zuigrubberknop (A).
 - a) Als er een opening is tussen de grond en het middelste deel van het achterste rubberblad (E), stel dan de knop (A) rechtsonder in (H) totdat alle delen van de achterste rubberblad goed contact maken met de grond, en het voorste blad de grond licht raakt.
 - b) Als er een opening is tussen de grond en de beide uiteinden van het achterste rubberblad (D en F), stel dan de knop (A) linksom in (G) totdat alle delen van het achterste rubberblad goed contact maken met de grond, en het voorste blad de grond licht raakt.

Indien nodig, pas de hoogte van de gehele vloerwisser aan door de hoogte van het zwenkwiel (K) aan te passen.

**Figuur 10**

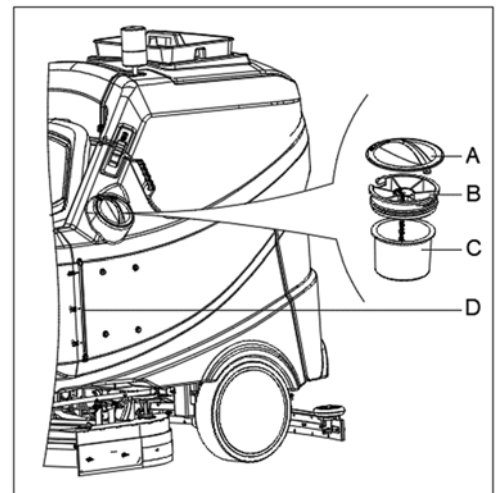
DE OPLOSTANK VULLEN

1. Open het waterinlaatdeksel (A, Figuur 11).
2. Vul met water of oplossing die geschikt is voor het werk via de waterinlaat met filter.
De oplossingstemperatuur mag zich niet boven + 104F (+40 °C) bevinden.
3. Vul de tank niet te vol, raadpleeg de waterpeilindicator (D) voor de hoeveelheid.



WAARSCHUWING!

Gebruik **alleen** laagschuimende en niet-ontvlambare reinigingsmiddelen, die bedoeld zijn voor automatische schrobzuigtoepassingen.



Figuur 11

INSPECTIE AANDRIJFMOTOR EN MECHANISCHE REM

1. Draai de contactsleutel (A, Figuur 12) naar "I", ga op de stoel (C) zitten.
2. Druk ietwat op het versnellingspedaal (D) en laat vervolgens los om te controleren of de machine bestuurd en gestopt kan worden.
3. Voor veiligheid moet u bevestigen dat de machine onmiddellijk kan worden gestopt door het indrukken van de noodknop (B). Draai de noodknop om deze opnieuw in te stellen.
4. Druk snel op het mechanische rempedaal (F) om te controleren of de machine onmiddellijk kan worden gestopt.



WAARSCHUWING!

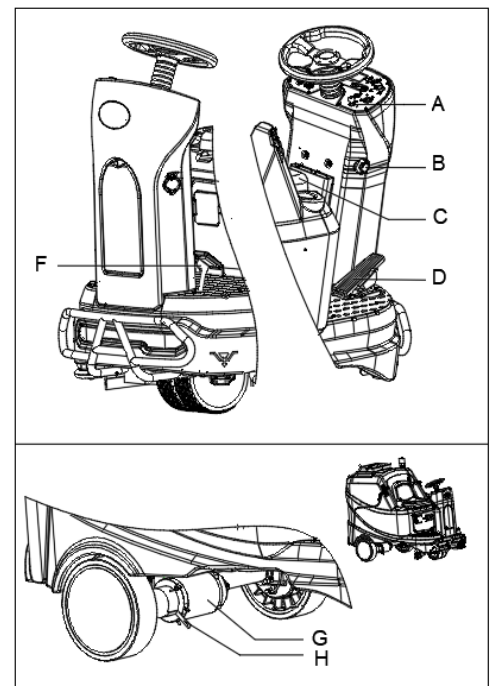
De klimcapaciteit mag niet hoger zijn dan 16%. Houd bij het werken op een helling de tankvergrendelingen (7 Figuur 1) ingeschakeld. Voor de veiligheid, nooit stoppen op een helling.

Als er bergopwaarts wordt gereden bij een hellingshoek van maximaal 20%, stel dan de potentiometer in op de hoogste snelheid. Druk het gaspedaal volledig in wanneer er bergopwaarts wordt gereden.

Als er op een helling van maximaal 16% wordt gewerkt, stel dan de potentiometer in op de hoogste snelheid. Als de waarschuwing "Error 4, Tra Overload" op het scherm wordt weergegeven, schakel dan de borsteldruk in de laagste stand.

Indien de machine vertraagt tot hij bijna stopt en de melding "Error 4, Tra Overload" wordt weergegeven, laat dan onmiddellijk het gaspedaal los en duw op de mechanische rem.

Als het scherm de waarschuwing "Error 4, Tra Overload" weergeeft terwijl er bergopwaarts wordt gereden, stop dan onmiddellijk en duw op de mechanische rem, draai de sleutel naar "off", start weer en klim niet verder. Stel de potentiometer in op een lagere snelheid en druk dan op de "achteruit"-knop, laat de mechanische rem los en duw voorzichtig het gaspedaal een beetje in zodat de machine langzaam achteruit kan bewegen naar een gebied met een kleinere hellingshoek.



Figuur 12

LET OP

De rem van de aandrijfmotor is vrij wanneer de motor normaal werkt, hij is vergrendeld wanneer de motor uitgeschakeld is. In sommige speciale gevallen, zoals het inpakken/uitpakken van de machine, machinefout enz., moet de machine mogelijk geduwd worden. Druk op de aandrijfmotor (G Figuur 12) op de remhendel (H Figuur 12), de machinerem wordt losgelaten en de machine kan worden verplaatst. Duw na voltooiing de hendel naar achteren, zodat de machine kan werken.



MACHINE START EN STOP

De machine starten

1. Bereid de machine voor zoals aangegeven in de vorige paragraaf.
2. Ga op de stoel (K, Figuur 13) zitten, steek de contactsleutel (J, Figuur 13) in en draai deze naar "I". Controleer de toestand van de accu's op het scherm. Laad de accu's zo nodig op (zie de procedure in het hoofdstuk Onderhoud).

3. Rijd de machine naar het werkgebied.

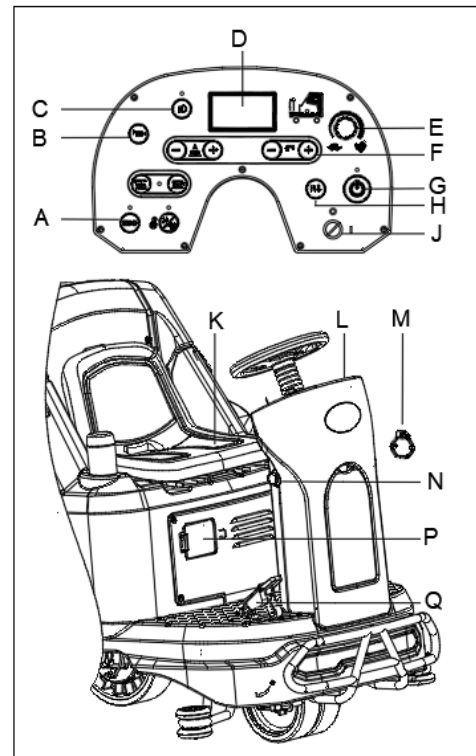
De voorwaartse/achterwaartse richting kan worden geregeld met de schakelaar (H, Figuur 13). De snelheid kan worden aangepast met de snelheidsregelaar (E, Figuur 13).

4. Druk op de startknop (G, Figuur 13) om de machine te starten, de vloerwisser en borstels worden automatisch omlaag gebracht en de vacuümmotor begint te werken.
5. Druk, afhankelijk van het type reiniging, op de knoppen voor de regeling van de vloeistofstroom (F, Figuur 13).
6. Trap het gaspedaal in (Q, Figuur 13) en begin met reinigen.
7. U kunt uw telefoon of pad opladen via de USB-oplaadpoort (M, Figuur 13) met de sleutelschakelaar (J, Figuur 13) in de "I" stand.
8. Druk op de seinhoornknop (B, Figuur 13) om mensen te waarschuwen wanneer nodig.
9. Indien nodig, druk op de noodknop (N, Figuur 13) voor een machine noodstop.
10. Druk indien nodig op de knop voor de koplampen (C, Figuur 13) voor donkere gebieden of om voetgangers te waarschuwen.
11. Indien nodig stelt u de stoel (K, Figuur 13) in door de hendel rechts van de stoel te draaien en de stoel vervolgens in de juiste stand te schuiven.



OPMERKING

De borstelmotor, vacuümmotor, aandrijfmotor en besturingscircuit worden beschermd door overbelastingsbeveiliging (P, Figuur 13). Wanneer een overbelastingsbeveiliging afgaat, reset deze dan niet onmiddellijk zonder de hoofdoorzaak te achterhalen, en zorg ervoor dat de motor is afgekoeld voordat u deze reset.



Figuur 13

De machine stoppen

12. Laat het gaspedaal los (Q, Figuur 13), de machine stopt.
13. Druk op de startknop (G, Figuur 13) om borstels en zuigmotor te stoppen. De borstels en vloerwisser worden automatisch van de vloer getild. Het vacuümsysteem gaat uit na enkele seconden.
14. Draai de contactsleutel op "0".
15. Zorg ervoor dat de machine niet vanzelf kan bewegen.

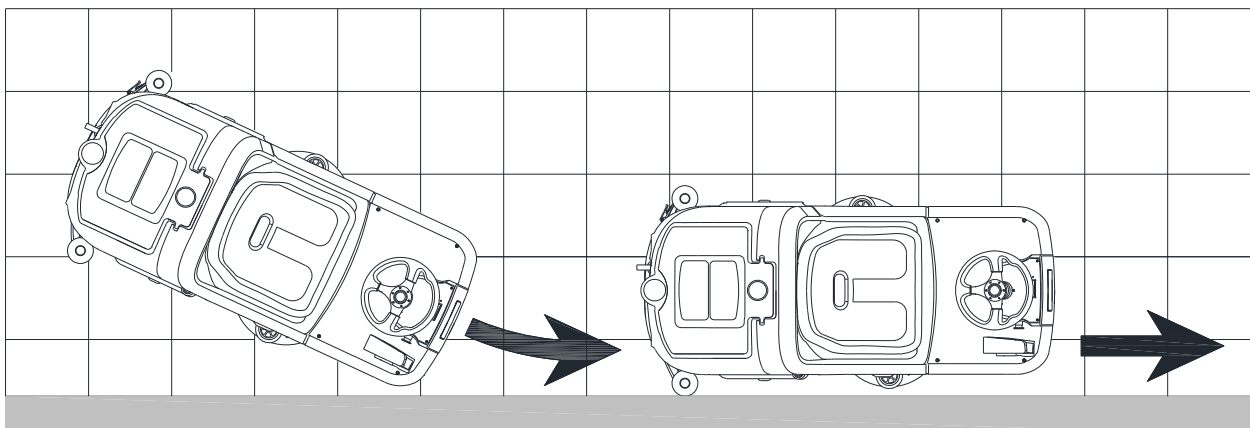
MACHINEGEBRUIK (SCHROBBEN EN DROGEN)

1. Start de machine volgens de procedures in de vorige hoofdstukken.
2. Begin te reinigen door de procedures in het hoofdstuk "Starten van de machine" te volgen.
3. Indien nodig, stop de machine om de zijwaartse spatborden af te stellen volgens het hoofdstuk "Aanpassing van de balans van de zijwaartse spatborden".
4. Indien nodig, stop de machine om de zuigmond af te stellen volgens het hoofdstuk "De zuigrubber uitbalanceren".



OPMERKING

Voor het correct schrobben/drogen van vloeren aan de zijkanten van de wanden. Het is raadzaam om met de rechterzijde van de machine (Figuur 14) in de buurt van de wanden te komen, zoals in de figuur is aangegeven.



Figuur 14

LEGEN VAN DE TANK

Legen van de vuilwatertank

Wanneer het multifunctionele display (47, Figuur 3) ERROR24 weergeeft en de indicator voor het vullen van de vuilwatertank (48, Figuur 3) is ingeschakeld. Het geeft aan dat de vuilwatertank (C, Figuur 15) vol is, de vacuüm motor kan de vloer niet langer drogen. Leeg de vuilwatertank als volgt:

1. Stop de machine.
2. Hef het borstel-/padhouder dek en de zuigmond op door op de startknop te drukken (51, Figuur 3).
3. Rijd de machine naar de aangewezen afvalverwerkingsruimte.
4. Leeg de vuilwatertank met de slang (D, Figuur 15). Spoel vervolgens de tank (C, Figuur 15) met schoon water.



VOORZICHTIG!

Houd bij het afvoeren van het afvalwater de afvoerslang hoog en vouw over het bovenste gedeelte om morsen op de bediener te voorkomen.

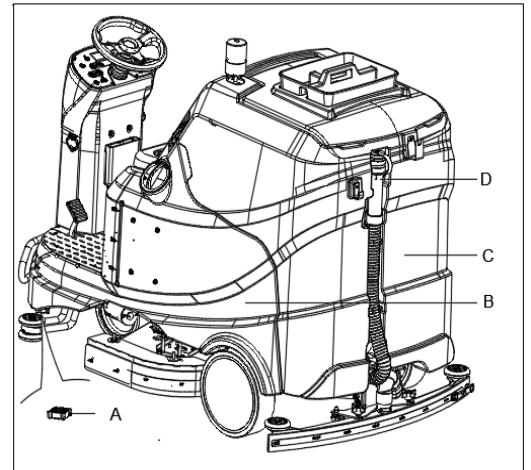
Legen van oplossing-/schoonwatertank

1. Leeg de oplossingstank met de uitlaatafdekking (A, Figuur 15). Spoel de tank na de werkzaamheden met schoon water.

NA HET GEBRUIK VAN DE MACHINE

Na het gebruik, vóór het verlaten van de machine:

1. Verwijder de borstels / pad-houders door op de ontgrendelingsknop (56, Figuur 3) links te drukken en reinig ze.
2. Leeg de tanks (B en C, Figuur 15) zoals aangegeven in de vorige paragraaf.
3. Voer de dagelijkse onderhoudsprocedures uit (zie het hoofdstuk Onderhoud).
4. Bewaar de machine op een schone en droge plaats, met de borstels / pad-houders en de zuigrubber opgetild of verwijderd.
5. Gebruik de dekselsteun van de vuilwatertank om het deksel open te houden. Hierdoor wordt voorkomen dat er binnen geurtjes ontstaan.



Figuur 15

OPSLAG VAN MACHINES BIJ LANGDURIGE STILSTAND

Als de machine voor meer dan 30 dagen niet gebruikt gaat worden, gaat u als volgt te werk:

1. Voer de procedures uit die zijn beschreven in de paragraaf "Na gebruik van de machine".
2. Koppel de accu-connector los.

EERSTE GEBRUIK

Na de eerste 8 uur, controleer de bevestiging van de machine en aansluitende delen op juiste bevestiging. Controleer ook de zichtbare onderdelen voor slijtage en lekkage.

ONDERHOUD



WAARSCHUWING!

Onderhoudsprocedures moeten worden uitgevoerd nadat de machine is uitgeschakeld en de kabel van de acculader is losgekoppeld. Lees bovendien de veiligheidsparagrafen in deze handleiding aandachtig door.

Alle geplande of buitengewone onderhoudsprocedures moeten worden uitgevoerd door gekwalificeerd personeel of een erkend Service Center. Deze handleiding beschrijft alleen de algemene en gewoonlijke onderhoudsprocedures.

Voor andere onderhoudsprocedures die niet in onderstaande tabel met onderhoudsschema's staan, kunt u contact opnemen met onze afdeling Technische ondersteuning.

GEPLANDE ONDERHOUDSTABEL

**VOORZICHTIG!**

De procedure gemarkeerd met (1) moet worden uitgevoerd wanneer de machine wordt gebruikt na 8 uur voor de eerste keer. De procedure gemarkeerd met (2) moet worden uitgevoerd door een Servicecenter dat gekwalificeerd is door ons bedrijf.

Procedure	Dagelijks, na elk gebruik	Wekelijks	Halfjaarlijks	Jaarlijks
Opladen van de accu				
Reinigen van de zuigmond				
Borstel / Padhouder schoonmaken				
Tankreiniging				
Inspectie tankafdichtingsstrip				
Afvalverzamelbox schoonmaken				
Borstel/pad schoonmaken				
Spatbord schoonmaken				
Zuigmondrubber controleren en vervangen				
Oplossingsfilter reinigen				
Vacuüminlaatfilter reinigen				
Controle vloeistofniveau NATTE accu				
Controle bevestiging schroef en moer			(1)	
Smeerolie toevoegen voor roterende onderdelen (zoals remolie)			(1)	
Controle of vervanging van de koolborstel van de borstelmotor				(2)
Controle of vervanging van de koolborstel van de vacuüm-motor				(2)
Controle of vervanging van de koolborstel van het aandrijfsysteem				(2)

INNLEDNING**FORSIKTIG!**

Ikke all generell og detaljert maskininformasjon er omhandlet i denne veiledningen. Se HURTIGSTARTGUIDE på medfølgende CD-ROM-leser av Adobe® Reader®.

**MERK**

Tallene i parentes viser til komponentene som er vist under "Maskinbeskrivelse".

FORMÅL OG INNHOLD

Formålet med denne bruksanvisningen er å gi operatøren med all grunnleggende informasjon og tekniske egenskaper, betjening, maskininaktivitet, reservedeler og sikre tilstander osv.

Før det utføres arbeid på maskinen, må operatør og kvalifisert teknisk personell nøye lese igjennom instruksene i denne håndboken. Ta kontakt med oss dersom du er i tvil om noe av informasjonen, eller for ytterligere informasjon.

SLIK OPPBEVARER DU BRUKSANVISNINGEN

Bruksanvisningen må oppbevares i nærheten av maskinen i en egnet mappe, borte fra væsker og andre stoffer som kan føre til at den blir ødelagt.

SAMSVARSERKLÆRING

Samsvarserklæringen leveres med maskinen og bekrefter at maskinen samsvarer med gjeldende forskrifter.

**MERK**

Kopi av den originale samsvarserklæringen leveres sammen med dokumentasjonen for maskinen.

TILBEHØR OG VEDLIKEHOLD

All bruk, vedlikehold og reparasjoner må utføres av kvalifisert personell, eller av et av våre servicesentre. Det skal KUN brukes godkjente reservedeler og tilbehør.

Ta kontakt med vår kundeservice for service eller kjøp av tilbehør og reservedeler.

ENDRINGER OG FORBEDRINGER

Vi tar sikte på kontinuerlig forbedring av våre produkter, og selskapet forbeholder seg retten til å foreta endringer og forbedringer på maskinen uten ytterligere informasjon.

BRUKSOMRÅDE

Gulvvaskeren er beregnet for kommersiell og industriell bruk. Den er laget for rengjøring av glatte og harde gulv, for bruk av kvalifisert personell i sikre omstendigheter. Den er ikke beregnet for utendørs bruk eller for rengjøring av tepper eller grovstrukturerte gulv.

IDENTIFIKASJONSDATA

Maskinens serienummer og modellnavn er merket på typeskiltet.

Her finnes nyttig informasjon. Skriv inn maskinens identifikasjonsdata i tabellen nedenfor, og bruk den når det skal bestilles reservedeler til maskinen.

MASKINMODELL.....
MASKINENS SERIENUMMER.....

TRANSPORT OG UTPAKKING

Ved levering av maskinen, må det sjekkes at emballasjen og maskinen er hel og uskadet. Hvis det observeres skade, informer transportøren om skaden før du aksepterer varene, for å forbeholde deg retten til kompensasjon for skaden.

Følg anvisningene for utpakking av maskinen når den skal pakkes ut.

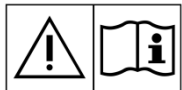
Sjekk at følgende elementer finnes i forpakningen:

1. Teknisk dokumentasjon - Bruksanvisning.
2. Batteritilkoblingskomponenter.
3. Elektronisk batteriladerhåndbok (hvis installert) (*)

SIKKERHET

Følgende symboler indikerer potensielt farlige situasjoner. Les alltid nøye gjennom denne informasjonen, og ta alle nødvendige forholdsregler for å beskytte personell og materiell.

SYMBOLER MERKET PÅ MASKINEN



ADVARSEL!

Les nøye gjennom alle instruksjonene før du tar i bruk maskinen.



ADVARSEL!

Ikke vask maskinen med direkte stråle eller høytrykksspyler.



ADVARSEL!

Ikke bruk maskinen i hellinger som overskrider det som er definert i spesifikasjonsavsnittet.

SYMBOLER SOM VISES PÅ BRUKSANVISNINGENN



FARE!

Indikerer en farlig situasjon som kan føre til dødsfall for operatøren.



ADVARSEL!

Indikerer en potensiell fare som kan føre til personskade.



FORSIKTIG!

Indikerer en advarsel eller en merknad knyttet til viktige eller nyttige funksjoner. Vær spesielt oppmerksom på avsnittene som er merket med dette symbolet.



MERK

Indikerer en en merknad knyttet til viktige eller nyttige funksjoner.



KONSULTASJON

Indikerer at det henvises til bruksanvisningen før det utføres noen prosedyre.

GENERELLE SIKKERHETSANVISNINGER

Nedenfor er det beskrevet spesifikke advarsler og forsiktighetsregler for å informere om potensielle skader på personer og maskin.

**FARE!**

- Denne maskinen skal kun brukes av kvalifisert og autorisert personell i henhold til informasjonen i håndboken.
- Før det gjøres noe som helst rengjøring, vedlikehold, reparasjoner eller utskiftninger, må alle instruksjoner leses nøye gjennom, slå av maskinen og koble fra batterikontakten.
- Ikke bruk maskinen i nærheten av giftige, farlige, brennbare og/eller eksplosive pulver, væsker eller damp. Denne maskinen er ikke egnet for oppsamling av farlig pulver.
- Ikke bruk smykker når du jobber i nærheten av elektriske komponenter.
- Ikke jobb under den løftede maskinen uten å støtte den med sikkerhetsstativer.
- Ved bruk av blybatterier (WET) kan disse avgi antennelig gass under normal bruk. Hold gnister, flammer, røykmaterialer og strålende, belysende og brennende elementer borte fra batteriene.
- Ved lading av blybatterier (WET) kan de stråle ut hydrogengass som kan forårsake eksplosjon. Sikre at lademiljøet er godt ventilert og på avstand fra flammer.

**ADVARSEL!**

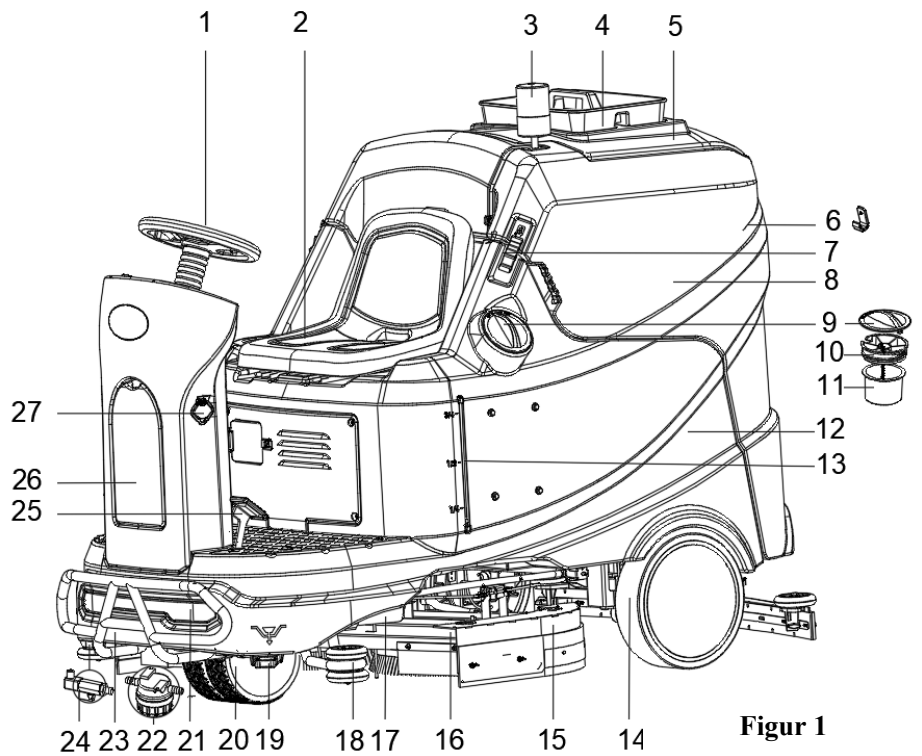
- Denne maskinen er beregnet til **KOMMERSIELL BRUK**, for eksempel i hoteller, skoler, sykehus, fabrikker, butikker, kontorer og leieforretninger.
- Maskiner som er uten tilsyn, må sikre mot utilsiktet bevegelse.
- For å forhindre uautorisert bruk av maskinen skal strømkilden slås av eller låses, for eksempel ved å fjerne nøkkelen fra hovedbryteren eller tenningsnøkkelen.
- Sjekk maskinen nøye før hver bruk. Påse at alle komponenter er riktig montert før bruk. Løse komponenter kan forårsake skade på personer og egenskaper.
- Flytt aldri maskinen ved å trekke i batteriladerkabelen. Ikke før kabelen gjennom en lukket dør eller vikle seg rundt skarpe kanter eller hjørner. Ikke kjør maskinen over batteriladerkabelen. Hold batteriladerkabelen på avstand fra oppvarmede overflater.
- Ikke lad batteriene hvis batteriladerkabelen eller pluggen er skadet.
- For å redusere risikoen for brann, elektrisk støt eller skade, se til at maskinen er av før du går.
- Bruk eller oppbevar maskinen innendørs i tørre omgivelser. Maskinen er ikke beregnet for utendørs bruk.
- Maskinens lagrings- og arbeidstemperatur må være mellom 0 °C og +40 °C, luftfuktigheten må være mellom 30 % og 95 %.
- Ikke bruk maskinen i hellinger som overskrider de viste spesifikasjonene.
- Ved bruk og håndtering av rengjøringsmidler for gulv, følg instruksjonene på etikettene på emballasjen for rengjøringsmidlene og bruk egnede hansker og beskyttelsesenheter.
- Bruk børster og pads som følger med maskinen eller som er definert i håndboken. Bruk av andre børster eller pads kan redusere sikkerheten.
- Ved maskinfeil må det sjekkes at feilen ikke har oppstått på grunn av manglende vedlikehold. Om nødvendig kan du be om hjelp fra autorisert personell eller et autorisert servicesenter.
- Ta alle nødvendige forholdsregler for å forhindre at hår, smykker og løse klær hektes fast i maskinens bevegelige deler.
- Ikke bruk maskinen på områder som er spesielt støvete.

- Ikke vask maskinen med direkte stråle eller høytrykksspyler eller med korrosive stoffer.
- Ikke støt mot hyller eller stativer, spesielt der det er fare for fallende gjenstander.
- Ikke sett væskebeholdere på maskinen, bruk relevant kanneholder.
- For å unngå skade på gulvet skal børste/puten ikke betjenes mens maskinen står stille.
- I tilfelle brann bruk et tørt pulverbrannslukkingsmiddel. Ikke bruk væskebrannslukkere.
- Ikke fjern eller modifier maskinens klistremerker.
- Ikke tukle med sikkerhetsdeksler og følg de planlagte vedlikeholdsinstruksjonene nøye.
- Vær spesielt oppmerksom under transport av maskinen når temperaturen er under frysepunktet. Vannet i gjenvinningstanken og i slangene kan fryse og forårsake alvorlig skade på maskinen.
- Hvis reservedeler må skiftes ut, bestill **ORIGINALE** reservedeler fra autoriserte forhandlere eller distributører.
- Returner maskinen til servicesenteret hvis den ikke fungerer som vanlig eller er skadet.
- For å sikre riktig og sikker drift av maskinen, må det fastsette vedlikeholdet som vises i relevant kapittel i denne håndboken utføres av det autoriserte personalet eller en autorisert forhandler.
- Maskinen må avfallshåndteres på riktig måte, da tilstedeværelsen av toksiske-skadelige materialer (batterier osv.), som er underlagt standarder som krever håndtering ved spesielle sentre (se kapittelet Skrotning).
- Denne maskinen er bare et rengjøringsverktøy, og er ikke beregnet til noe annet formål.
- Hold alltid åpningene fri for støv, hår og eventuelle fremmedlegemer som kan redusere luftstrømmen. Ikke bruk maskinen til åpningene er tilstoppet.
- Bruk kun maskinen der det finnes tilstrekkelig belysning.
- Denne maskinen er ikke beregnet for bruk av personer (inkludert barn) med reduserte fysiske, sensoriske eller mentale evner eller mangel på erfaring og kunnskap.
- Det er nødvendig med stor oppmerksomhet ved bruk i nærheten av barn.
- Barn bør være under tilsyn for å sikre at de ikke leker med denne maskinen.
- Ved bruk av denne maskinen må du påse å ikke skade personer eller gjenstander.
- Rengjøring og vedlikehold skal ikke utføres av barn uten tilsyn.
- Operatører skal instrueres tilstrekkelig om bruk av disse maskinene.
- Advarsel Ikke bruk maskinen uten FOPS (beskyttelsesstrukturer mot fallende gjenstander) i områder der det er sannsynlig at operatøren kan treffes av fallende gjenstander.

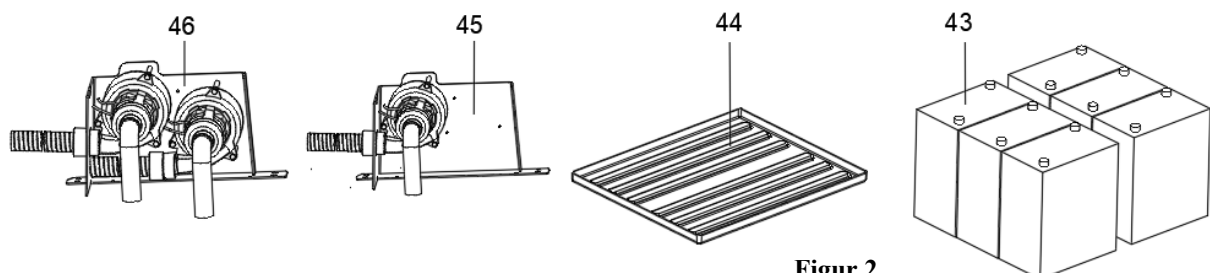
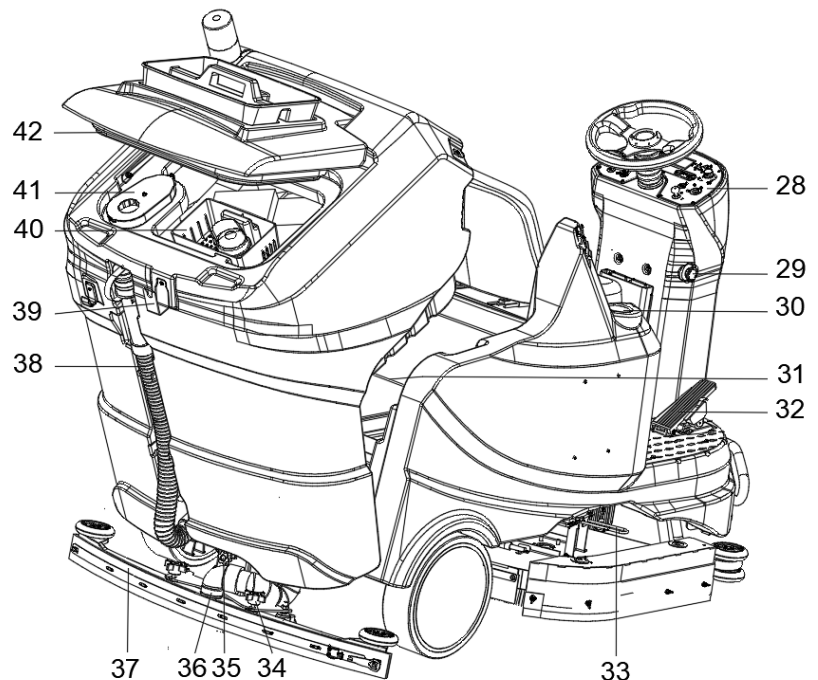
MASKINBESKRIVELSE

MASKINSTRUKTURE* - valgfritt

1. Ratt
2. Sete, justerbart (med sikkerhetsbryter)
3. Advarselslampe
4. Tilleggsaddy (*)
5. Lokk på oppsamlingstank
6. Krok
7. Lås (x2)
8. Oppsamlingstank
9. Filterdeksel
10. Filterslangeholder
11. Filterstøtte
12. Løsningstank
13. Vannivåslange
14. Drivhjul (med mekanisk brems)
15. Sidespissbeskyttere
16. Børstemontering
17. Pumpe
18. Støtfangerhjul
19. Spenningsstankens dreneringsdeksel
20. Framhjul
21. Framlykter
22. Løsningsfilter
23. Fremre støtfanger
24. Avstengningsventil for oppløsning
25. Mekanisk bremsepedal
26. Internt lagerdeksel
27. USB-ladeport
28. Betjeningspanel
29. Nødbryter
30. Koppholder
31. Oppsamlingstankens støttekabel
32. Gasspedal
33. Installasjonsstopp for børste-/putedriver
34. Nalknapper
35. Justeringsbryter for nalkvinkel
36. Sugslange til nal
37. Nal
38. Gjenvinningstømmeslange
39. Klemkrok
40. Smussoppsamler
41. Vakuuminntaksfilter
42. Tanklokkpakning
43. Batterier (I/R)
44. Batteribrett (*)
45. Støvsugersystem
46. Dobbelt vakuumsystem (*)



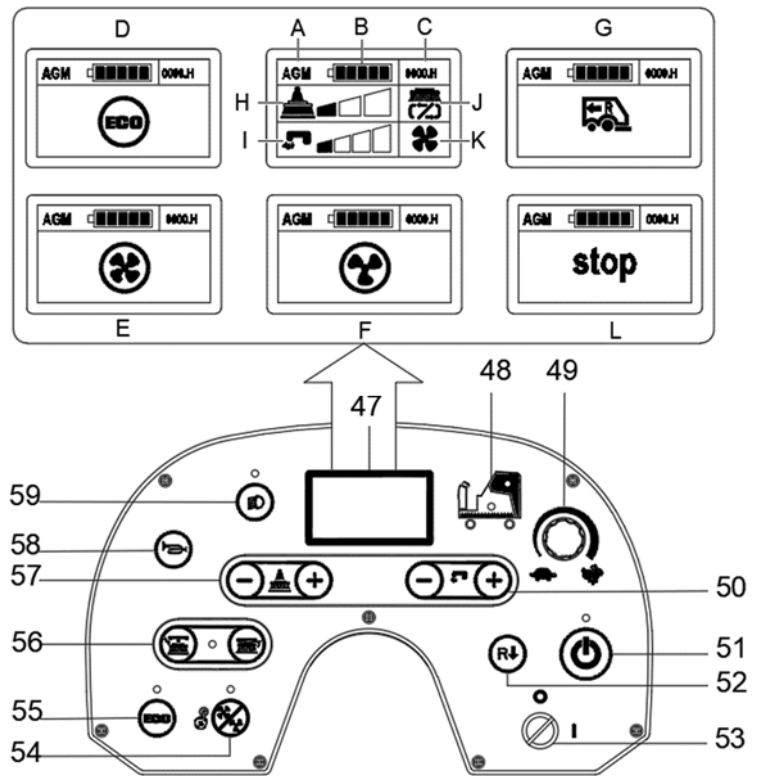
Figur 1



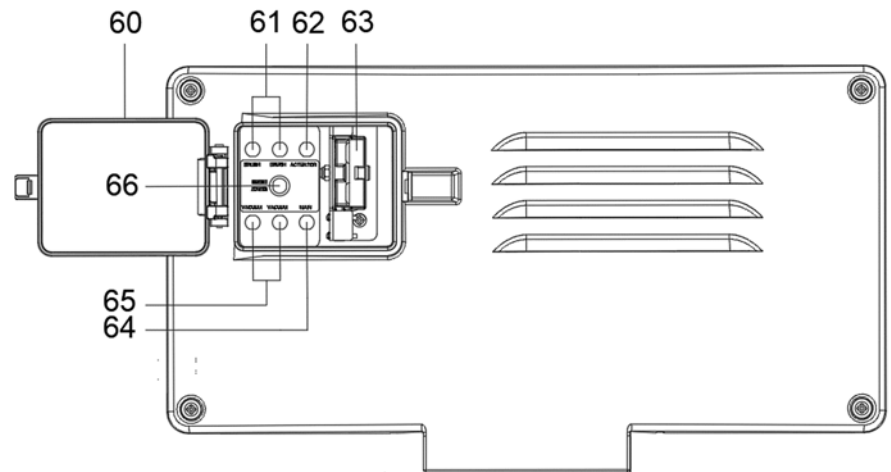
Figur 2

KONTROLLPANEL (som vist)

- 47. Flerfunksjonsdisplay
Viste elementer:
A) Batteritype
B) Batteriladenivå
C) Driftstimer
D) ECO-modus
E) Normal støvsugermodus
F) Lyddempningsmodus for støvsuger
G) Reversmodus
H) Ekstratrykk aktivt
I) Flytmengde rengjøringsmiddelløsning
J) Børstearbeidsmodus
K) Støvsugingsmodus
L) Setesikkerhetsbryter av
- 48. Oppsamlingstanken er full / løsningsstanken er tom-indikator
- 49. Hastighetsjusteringsknott
- 50. Justeringsknapp for løsningsflyt
- 51. Enknapps start
-LED på over-knappfunksjon aktivert
-vannsystem (nivå 2)
-trykk ved minimum (nivå 1)
-støvsugersystem normalt
- 52. Fremover-tilbake-knapp
- 53. Tenningsnøkkel (0=PÅ I=AV)
- 54. Støvsugersystemjusteringsknapp
(trykk på knappen i 1 sekund for aktivering)
-LED kontinuerlig på - Normal modus
-LED blinker - Stillemodus
- 55. ECO-modusknapp
-LED på over-knappfunksjon aktivert
-vannstrøm ved minimum (nivå 1)
-trykk ved minimum (nivå 1)
-Støvsuger er i stille modus
- 56. Pensel/puteholder klikk på/av
·LED Blinkende - Klikk på aktivert
- 57. Børstetrykkjusteringsknapper
- 58. Hornknapp
- 59. Framlysknapp
- 60. Deksel til laderplugg
- 61. Børstemotorer overbelastningsbeskyttelse (30 A)
- 62. Børsteløft overbelastningsbeskyttelse (3 A)
- 63. Laderplugg
- 64. Hovedkontrollkrets overbelastningsbeskyttelse (5 A)
- 65. Støvsugermotor(er) overbelastningsbeskyttelse (30 A)
- 66. Krangeløft overbelastningsbeskyttelse (3 A)



Figur 3



Figur 4

TEKNISKE DATA

Parametertype	AS1050R
Spenning	36 V
Nominell effekt (INNGANG)	125A/4500 W
IP-verneklasse	IP24
Løsningstankkapasitet	200L / 53 Gal.
Gjenvinningsstankkapasitet	200L / 53 Gal.
Skrubbebredde	980mm/35,58 tommer
Diameter på børste/pad	508 mm x 2 / 20 tommer x 2
Børste/pute-press (maks)	90 Kg / 198 Lbs.
Børstemotoreffekt (INNGANG)	2 X 1000 Watt / 2 X 1,3 HK
Kosthastighet i normal modus	240 O/MIN
Kosthastighet i ECO-modus	175 O/MIN
Løsningsflyt (maks) per innstilling/minutt	(1,6/2,3/3,3/4,6) liter / 0,42/0,61/0,87/1,22 gal
Lydtrykknivå (én støvsugermotor)	72 ± 3 dB (A)
Lydtrykknivå (to støvsugermotorer) (*)	75 ± 3 dB (A)
Lydtrykknivå i ECO-modus eller i stille modus	69 ± 3 dB (A)
Støvsugermotoreffekt	600 W / 0,8 hk
USB-lading	5 V 2,4 A MAKS.
Produktivitet (maks)	7840 m ² /t/84389 fot ² /t
Arbeidshastighet	0-8 km / 0-5 miles per time
Fremover hastighet	0-8 km / 0-5 miles per time
Revers hastighet	0-5 km / 0-3.1 miles per time
Drivmotoreffekt (INNGANG)	1600 W / 2,1 hk
Min. korridorvending	2650mm/104 tommer
Stigningsevne (maks) transport	20%
Stigningsevne (maks) drift	16%
Diameter på drivhjul	340mm/13,4 tommer
Spesifikt drivhjulstrykk på gulvet	0,68 N/mm ²
Diameter på fremhjul	250 mm/10 tommer
Spesifikt forhjulstrykk på gulvet	0,62 N/mm ²
Håndtakets vibrasjonsnivå (maks)	< 2,5 m/s ²
Batteriromstørrelse uten brett (L x B x H)	(680x560x450) mm / 26,7 x 22 x 17,7 tommer
Batteriromstørrelse med brett (L x B x H)	(665x550x430) mm / 26,1 x 21,6 x 16,9 tommer
Maskinlengde uten frontstøtfanger	1875mm/73,8 tommer
Maskinbredde uten nal	1077mm/42,4 tommer
Maskinhøyde	1350 mm/53 tommer
Maskinhøyde (Med vern over hodet)	1955 mm/77 tommer
Maskinvekt med tomme tanker (uten batterier)	398 Kg / 853,6 Lbs.
Brutto kjøretøysvekt (GVW)	870 Kg / 1914 Lbs.
Brutto kjøretøysvekt (GVW) (Med vern over hodet)	897 Kg / 1973 Lbs.
Forsendelsesvekt	490 Kg / 1078 Lbs.
Pakningsdimensjoner (L x B x H)	(2110 x 1220 x 1535 mm) / (83 x 48 x 60,4 tommer)

(*): Ekstraustyr

BRUKERVEILEDNING

**ADVARSEL!**

På maskinen finnes det klistremerker som angir:

- FARE!
- ADVARSEL!
- FORSIKTIG!
- MERK

Når denne håndboken gjennomgås, må det vies oppmerksomhet til symbolene på disse etikettene. Ikke dekk til etikettene, og skift dem umiddelbart ut dersom de blir skadet.

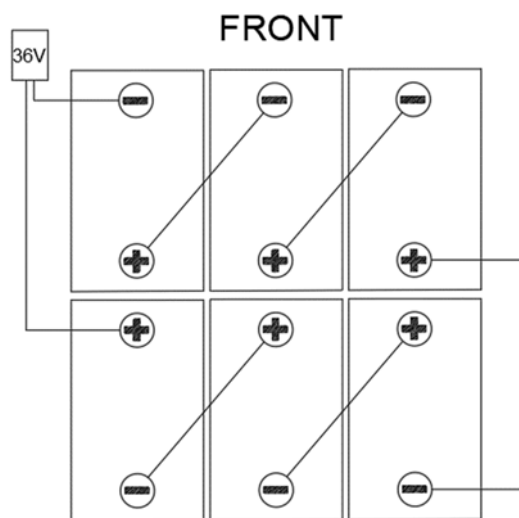
SJEKK/INNSTILLING AV BATTERIER PÅ NY MASKIN

**ADVARSEL!**

De elektriske komponentene i maskinen kan bli skadet hvis batteriene installeres eller tilkobles på feil måte. Batteriene må kun installeres av kvalifisert personell. Still inn batteritypen med prosedyren nedenfor iht. den benyttede batteritypen (WET- eller GEL/AGM/DIS/ENE-batterier). Sjekk batteriene for skader før installasjon. Koble fra batterikontakten og batteriladerens støpsel. Batteriene må håndteres med forsiktighet. Bruk terminalhettene som følger med maskinen til å beskytte batteriterminalene.

**MERK**

Maskinen krever seks 6 V batterier, tilkoblet og installert i posisjonene som vises i figur 5.



Figur 5

Batteriene er allerede installert på maskinen

1. Se til at batteristøpset er tilkoblet.
2. Når du først bruker maskinen med nye batterier, utfør en fullstendig ladesyklus (se prosedyren i kapitlet Vedlikehold).

Uten batterier

1. Kjøp passende batterier (se avsnittet "Tekniske data"). For valg og installasjon av batterier, kontakt kvalifiserte batteriforhandlere.
2. Angi batteritypeinnstillingen ved hjelp av prosedyren nedenfor.

BATTERIINNSTALLASJON OG BATTERITYPEINNSTILLING (WET/GEL/AGM/DIS/ENE)**Batteriinnstallasjon**

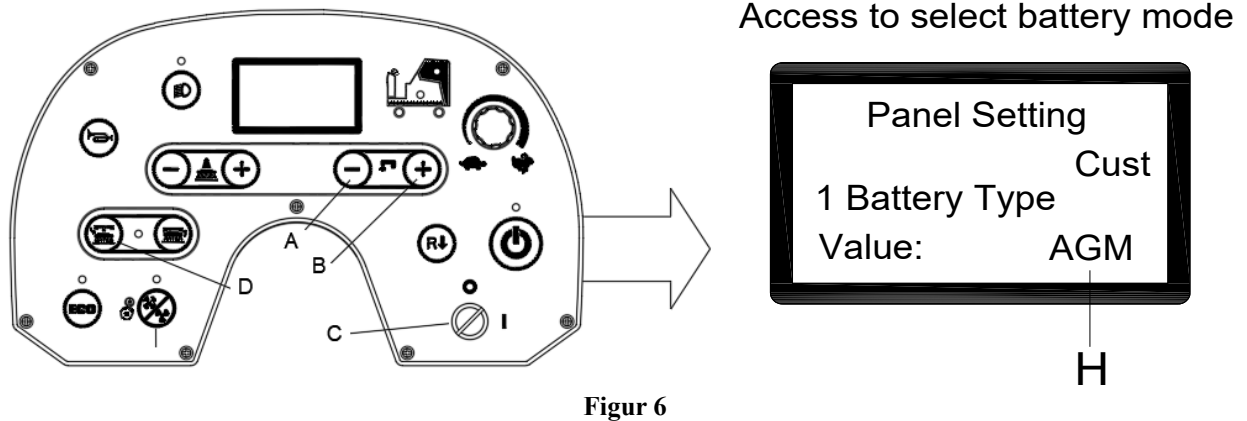
1. Åpne venstre og høyre låser (7, figur 1).
2. Åpne dekselet til oppsamlingstanklokket (5, figur 1) og kontroller at oppsamlingstanken (8, figur 1) er tom, hvis ikke tøm den med avløpsslangen (38, figur 2).
3. Lukk gjenvinningstanklokket (5, figur 1)
4. Løft gjenvinningstanken (8, figur 1)
5. Koble fra oppsamlingstankens kabel og fjern hele oppsamlingstanksmontasjen.
6. Fjern en skrue på oppsamlingstankens forsyningskabel (31, figur 2) og snu tilbake.
7. Fjern oppsamlingstankens fire skruer på bunnen av den.
Maskinen leveres med kabler som er egnet til å installere seks 6 V batterier. Legg batteriene forsiktig inn i huset, installer dem deretter riktig som vist i figur 5. Plasser batterifesteplaten på riktig måte.
8. Legg og installer batterikabelen slik som vist i figur 5, trekk deretter til mutteren på hver batteriterminal.

9. Plasser beskyttelseshetten på hver terminal, og koble deretter batterikontakten til maskinen.
10. Monter hele oppsamlingstankenheten i omvendt rekkefølge av demonteringen.
11. Senk forsiktig oppsamlingstanken.

Innstilling av batteritype (VÅT/GEL/AGM/DIS/ENE)

Få tilgang til å velge batterimodus

I henhold til typen batterier (WET/GEL/AGM/DIS/ENE), still inn maskinen som følger:



1. Trykk på vannstrømningsknappen «->» (A, Figur 6) og «+» (B, Figur 6) samtidig.
2. Sett inn tenningsnøkkelen (C, figur 6) og vend den til «I».
3. Flere sekunder senere gå inn til skjermen for å velge batterimodus (figur 6).
4. Trykk på vannstrømningsknappen «->» (A, Figur 6) og «+» (B, Figur 6) for å velge batterimodus (H, Figur 6).
5. Trykk på utløserknappen (D, figur 6), 3 sekunder senere vises «Oppdatering OK» betyr at innstillingen er vellykket. Start maskinen på nytt. (C, figur 6).

Batterilading

Lad batteriene fullstendig (se prosedyren i kapittelet Vedlikehold).

Batteriutladning

Når batterienes mønster er fullt (G, figur 7), er batteriene fulladet. Når batteriet er lavt (H, figur 7), må batteriene lages. Noen få sekunder etter at lavt batterimønster vises, slås børstemotorene automatisk av, mens drivsystemet holdes på. Kjør maskinen til det utnevnte gjenladingsområdet umiddelbart.



INSTALLASJON OG FJERNING AV BØRSTE- / PADHOLDER



MERK

Monter enten børsten (A, Figur 8) eller pad-holderen (B og C, Figur 8) i henhold til gulvtypen som skal rengjøres.



FORSIKTIG!

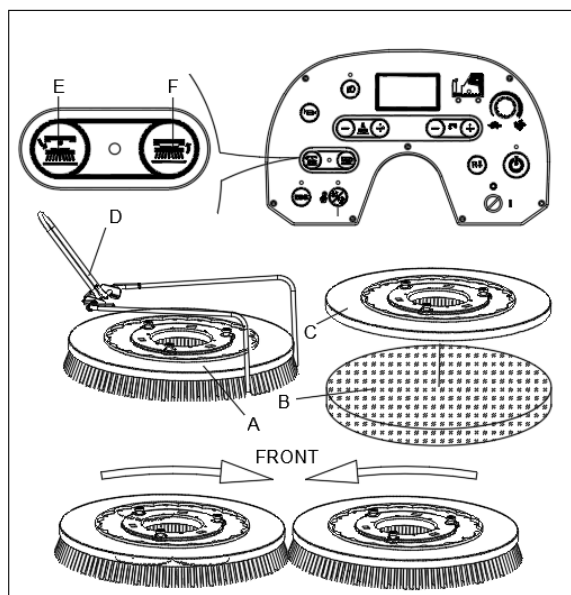
Før installasjon eller fjerning børste- eller puteholder, sørg for at alle brytere på maskinen er i av-stilling og nalen er løftet opp fra gulvet. Operatøren må være utstyrt med egnet personlig verneutstyr, som hansker, for å redusere risikoen for skade.

Gå frem som følger:**INSTALLASJON:**

1. Sett inn tenningsnøkkelen (53, figur 3) og vri den til «I». Løft dekket.
2. Plasser børstene (A, figur 8) eller puteholderne (B, Figur 8) under dekkelet. Bruk børsteinstallasjonsstoppen (D, Figur 8) for å hjelpe med å finne riktig børste-/puteholderposisjon.
3. Monter børste-/puteholderen ved å trykk på børste-/puteholderen på-knappen (8). Deretter blir børste-/puteholderen montert automatisk. Rotasjonsretningen vises (Figur 8). LED-indikatorlampen vil blinke.

FJERNING:

1. Sett inn tenningsnøkkelen (53, figur 3) og vri den til «I». Forsikre deg om at børsten/puteholderen står i hevet (OPP) stilling. For å fjerne børste-/puteholderen, trykk på frigivelsesknappen (E, figur 8) for børste-/puteholderen. Deretter blir børste-/puteholderen frigitt automatisk. LED-indikatorlampen vil være stødig.

**Figur 8**

Hvis du trykker på knappen for å slå av børsten og deretter på-knappen og trykker på klikk-på-knappen, må du slå av tenningsnøkkelen og slå den på, før maskinen kan fungere igjen.

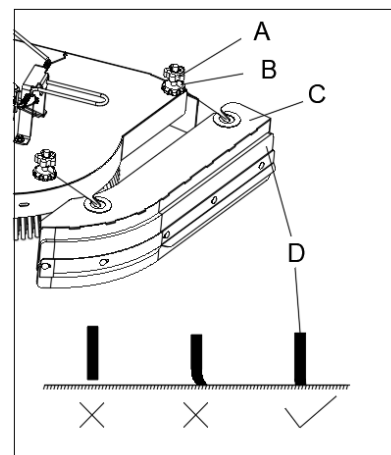
JUSTERE BALANSEN FOR SIDESPRUTSKJERMER

Høyden på sprutskjermen må overvåkes og justeres. Mens du rengjør med maskinen, må du kontrollere ytelsen til sidesprutskjermene.

- A. Hvis sprutskjermene er for høye, vil mellomrommet mellom sprutskjermen (D) og gulvet etterlate vann på gulvet under svinger.
- B. Hvis sprutskjermene er for lave, vil sprutskjermen (D) bøye seg for langt, etterlate vann under svinger og redusere levetiden til sprutskjermen.
- C. Riktig justering er når sprutskjermen lett berører gulvet fra forsiden til baksiden av sprutskjermen.

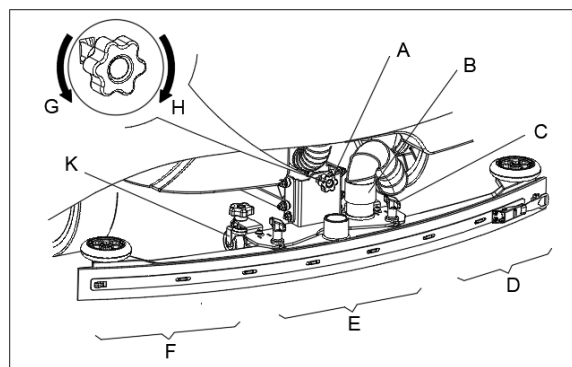
Justeringsprosedyre som følger:

1. Sikre at dekkelet står i hevet stilling (OPP).
2. Løsne de øverste holdemutterne (A), og fjern sprutskjermenheten.
3. Juster de nedre holdemutterne (B) opp/ned.
4. Monter sprutskjermen på nytt og kontroller justeringen.
5. Gjenta 3. og 4. etter behov inntil justeringen av sprutskjermen er riktig.
6. Stram toppfestemutterne (A) for å sikre justeringen.
7. Gjenta prosedyren på den andre sidesprutskjermen.

**Figur 9****JUSTERING AV BALANSEN TIL NALEN**

1. Monter nalen og skru til mutterne (C, figur 10), og koble deretter til vakuumslangen (B) til nalen.
2. Juster nalen med naljusteringsknotten (A).
 - a) Hvis det er et gap mellom gulvet og midtre del av bakre nalblad (E), juster bryteren (A) i motsatt klokkevisning (H) inntil alle avsnitt av bakre nalblad har god kontakt med gulvet, frontbladet berører gulvet lett.
 - b) Hvis det er et gap mellom gulvet og begge endene av den bakre nalen (D og F), juster skruen (A) med klokken (G) til alle deler av den bakre nalen er i god kontakt med gulvet, og slik at den fremre nalen så vidt berører gulvet.

Hvis nødvendig, juster hele nalhøyden ved å justere hjulhøyden (K).

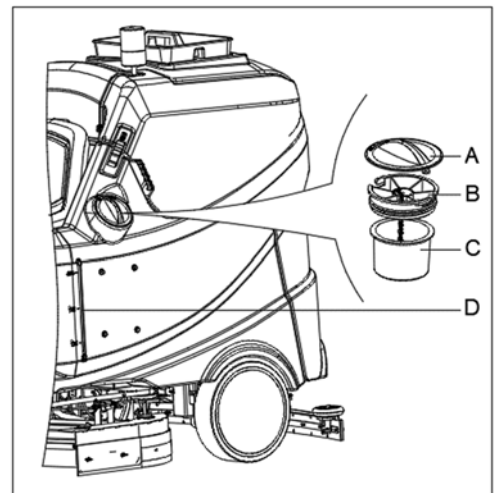
**Figur 10**

FYLLE LØSNINGSTANK

1. Åpne dekselet til vanninntaket (A, figur 11).
2. Fyll med vann eller løsning som egner seg til arbeidsytelse gjennom vanninntaket med filteret.
Løsningstemperaturen må ikke overskride +104F (+40 °C).
3. Ikke overfyll tanken, se vannivåindikatoren (D) for vannvolum.

**ADVARSEL!**

Bruk bare lavtskummende og ikke-brennbare rengjøringsmidler som er beregnet for gulvrensjøringsmaskiner.



Figur 11

INSPEKSJON AV DRIVMOTOR OG MEKANISK BREMSE

1. Vri tenningsnøkkelen (A Figur 12) til «I», sett deg på setet (C).
2. Trykk ned gasspedalen (D) litt og slipp den deretter for å sjekke om maskinen kan styres fremover og stoppes.
3. For å sikre sikkerheten, bekreft at maskinen kan stoppes umiddelbart når du trykker på nødknappen (B). Roter nødknappen for å tilbake stille den.
4. Trykk ned den mekaniske bremsepedalen (F) raskt for å sjekke om maskinen kan stoppes umiddelbart.

**ADVARSEL!**

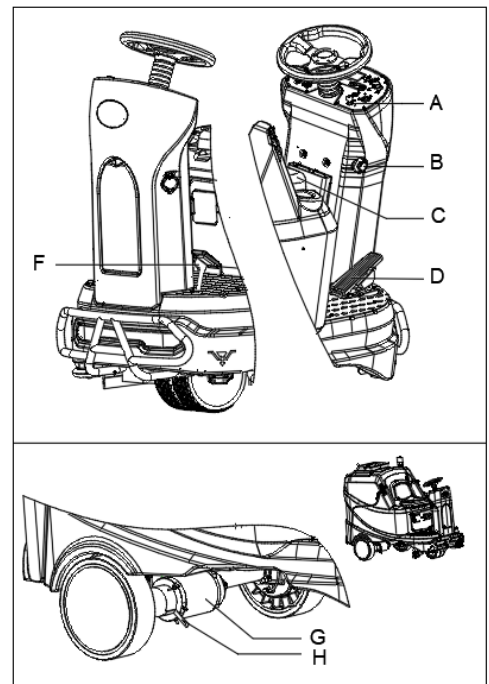
Arbeidsklatrekapasitet må ikke overskride 16 %. Når du arbeider i skråninger, må du holde tankens låser (7 Figur 1) tilkoblet. For sikkerhets skyld må du aldri stoppe den i skråninger.

Når du klatrer i en skråning med maksimalt 20% helling, justerer du det hastighetsbegrensende potensiometeret til maksimal hastighetsposisjon på forhånd. Skyv gasspedalen til maksimum mens du kjører i skråningen.

Hvis du skrubber i en skråning med maksimalt 16% helling, justerer du det hastighetsbegrensende potensiometeret til maksimal hastighetsposisjon på forhånd. Hvis displayet viser "Error 4, Tra Overload", juster børstetrykket til laveste innstilling.

Hvis du oppdager at maskinhastigheten blir langsommere og nærmer seg stopptilstanden mens du kjører oppover en skråning og "Error 4, Tra Overload" vises på displayet, slipper du gasspedalen umiddelbart og trækker på den mekaniske bremsen.

Hvis "Error 4, Tra Overload" vises mens du kjører i en skråning må du umiddelbart stoppe og trække på den mekaniske bremsen, vri nøkkelbryteren til av, og deretter vri nøkkelen for å starte på nytt og gi opp kjøringen i bakke. Juster hastighetsgrensepotensiometeret til en langsam hastighetsposisjon, og trykk deretter på tilbake-knappen, slipp den mekaniske bremsen, trakk forsiktig på gasspedalen slik at maskinen kan bevege seg langsomt bakover til en lavere helling er nådd.



Figur 12

**FORSIKTIG**

Bremsen på drivmotoren frigjøres når motoren fungerer normalt, den låses når motoren er av. I noen spesielle tilfeller, som maskinpakning-/oppakking, maskinfeil osv., kan det være nødvendig å skyve maskinen. På drivmotoren (G Figur 12) trykker du ned bremsehåndtaket (H Figur 12), maskinbremsen slippes og maskinen kan flyttes. Etter fullføring, skyv håndtaket tilbake, slik at maskinen kan fungere.

START OG STOPP AV MASKINEN**Start maskinen**

1. Klargjør maskinen som beskrevet i forrige avsnitt.
2. Sett deg på setet (K, figur 13), sett inn tenningsnøkkelen (J, figur 13) og vri den til «I». Kontroller batteristatus fra displayskjermen. Ved behov batteriene (se prosedyren i kapittelet Vedlikehold).
3. Kjører maskinen til arbeidsområdet.

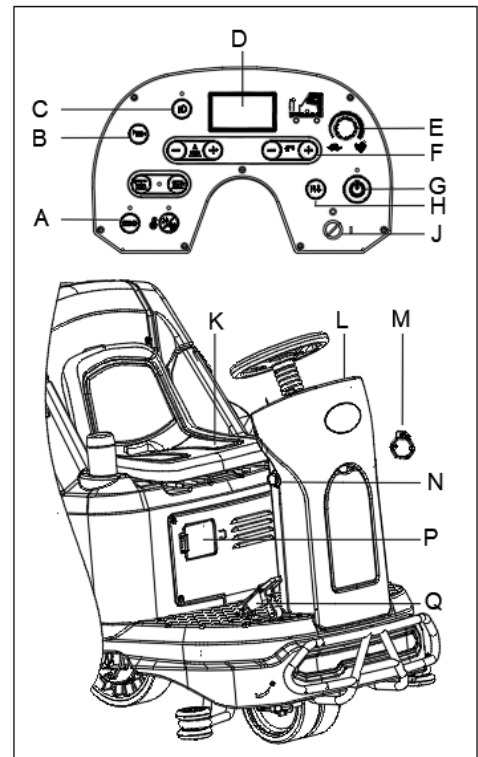
Fremover/revers-retningen kan styres med bryteren (H, figur 13). Kjørehastigheten kan justeres med justeringsenheten (E, figur 13).

4. Trykk på Enknapps start (G, Figur 13) for å starte maskinen, klemmen og børstene senkes automatisk til gulvet, og vakuummotoren begynner å virke.
5. Trykk løsningsflytkontrollknappene (F, figur 13) etter behov, avhengig av typen av rengjøring som skal utføres.
6. Trykk ned gasspedalen (Q, figur 13), og begynn rengjøringen.
7. Du kan lade telefonen eller puten gjennom USB-ladeporten (M, figur 13) når tenningsnøkkelen (J, figur 13) vris til «I».
8. Trykk på hornknappen (B, figur 13) for å advare folk når det er nødvendig.
9. Om nødvendig, trykk på nødknappen (N, figur 13) for maskinens nødstop.
10. Om nødvendig, trykk på frontlysknappen (C, figur 13) for mørke områder eller for å advare fotgjengere.
11. Om nødvendig justerer du setet (K, figur 13) ved å vri håndtaket til høyre for setet, og skyv deretter setet til riktig stilling.



MERK

Børstemotoren, vakuummotoren, drivmotoren og kontrollkretsen er beskyttet av overbelastningsbeskyttelse (P, figur 13). Når en overbelastningsbeskyttelse utløses, må du ikke tilbake stille den umiddelbart uten å finne rotårsaken, og sørg for at motoren har kjølt seg ned før tilbakestilling.



Figur 13

Stopp maskinen

12. Slipp gasspedalen (Q, figur 13), maskinen stopper.
13. Trykk på Enknapps start (G, Figur 13) for å stoppe børster og støvsugermotor. Børstene og nalen løftes automatisk fra gulvet. Støvsugersystemet slås av etter noen få sekunder.
14. Vri tenningsnøkkelen til «0».
15. Sørg for at maskinen ikke kan bevege seg utilsiktet.

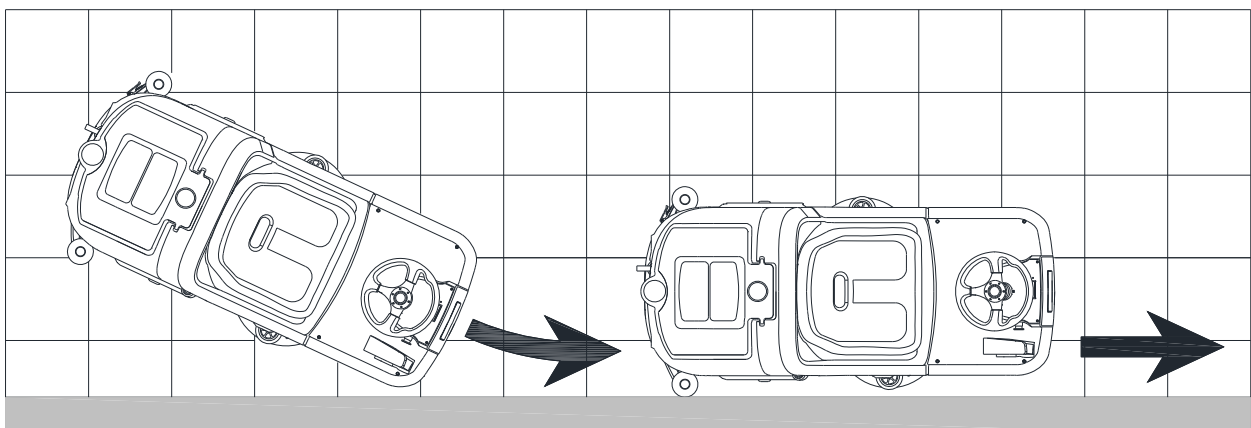
MASKINDRIFT (SKRUBBING OG TØRKING)

1. Start maskinen iht. prosedyrene i forrige paragraf.
2. Start rengjøringen ved å følge prosedyrene i avsnittet «Starte maskinen».
3. Hvis nødvendig, stopp maskinen for å justere sidesprutskjermene iht. avsnittet «Justere balansen til sidesprutskjermene».
4. Stopp eventuelt maskinen og juster nalen i henhold til avsnittet «Justere nalbalansen».



MERK

For riktig skrubbing/tørrking av gulv på siden av veggene. Det anbefales å la maskinen gå med høyre side mot veggen, som vist på figuren (Figur 14).



Figur 14

TØMMING AV TANK

Tømming av oppsamlingstank

Når multifunksjonsdisplayet (47, figur 3) viser ERROR24 og indikatoren for full oppsamlingstank (48, Figur 3) er slått på. Det indikerer at oppsamlingstanken (C, Figur 15) er full, støvsugermotoren kan ikke lenger tørke gulvet. Tøm oppsamlingstanken med følgende trinn:

1. Stopp maskinen.
2. Løft børste-/puteholderdekket og nalen ved å trykke på enknapps start (51, figur 3).
3. Kjør maskinen til et sted den kan tømmes.
4. Tøm oppsamlingstanken med slangen (D, figur 15). Skyll deretter tanken (C, figur 15) med rent vann.



FORSIKTIG!

Når du tømmer avløpsvannet, hold avløpsslangen høyt, og brett over toppdelen for å unngå å søle på operatøren.

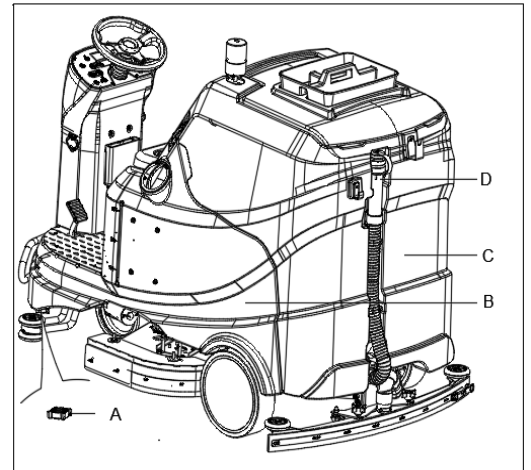
Tømming av vaskemiddel-/rentvannstank

1. Tøm gjenvinningsvannstanken med utgangsdekslet (A, figur 15). Skyll tanken med rent vann når arbeidet er ferdig.

ETTER BRUK AV MASKINEN

Etter arbeidet er ferdig, før du forlater maskinen:

1. Fjern børste-/puteholderne ved å trykke på frigivelsesknappen (56, figur 3) og rengjør dem.
2. Tøm tankene (B og C, figur 15) slik som vist i forrige avsnitt.
3. Gjennomfør daglig vedlikehold (se delen som omhandler vedlikehold).
4. Sett maskinen til lagring på et rent og tørt sted, med børste/pad-holderen og nalen vippet opp eller fjernet.
5. Bruk oppsamlingstankens lokkestøtte for å holde lokket åpent. Dette vil bidra til å hindre at lukt bygger seg opp på innsiden.



Figur 15

MASKINOPPBEVARING VED LANG INAKTIVITET

Hvis maskinen ikke skal brukes på 30 dager eller mer, gjør følgende:

1. Gjennomfør trinnene som beskrevet under "Etter bruk av maskinen".
2. Koble fra batterikontakten.

FØRSTE DRIFTSPERIODE

Etter de første 8 driftstimene må stramheten maskinens festeanordninger og forbindelsesdeler sjekkes, samt at synlige deler må sjekkes for slitasje og lekkasje.

VEDLIKEHOLD



ADVARSEL!

Vedlikehold må utføres etter at maskinen er slått av og batteriladerkabelen er frakoblet. I tillegg må du lese nøye gjennom sikkerhetsinstruksene.

Alle planlagte eller ekstraordinære vedlikeholdsprosedyrer må utføres av kvalifisert personell eller et autorisert servicesenter. Denne håndboken beskriver kun de generelle og vanlige vedlikeholdsprosedyrene.

For andre vedlikeholdsprosedyrer som ikke er i tabellen under vedlikeholdsplanen, ta kontakt med vår tekniske supportavdeling.

VEDLIKEHOLDSPLAN

**FORSIKTIG!**

Prosedyrene som er merket med (1) må utføres når maskinen har vært brukt i 8 timer for første gang. Prosedyrene som er merket med (2) gjøres av et servicesenter som er godkjent av oss.

Prosedyre	Daglig, etter hver bruk	Ukentlig	Halvårlig	Årlig
Batterilading				
Rengjøring av nal				
Rengjøring av børste/pad-holder				
Tankrengjøring				
Inspeksjon av tankpakkingsremmen				
Rengjøring av smussoppsamleren				
Børste-/puterengjøring				
Sprutvernrengjøring				
Kontroll og utskifting av nalblad				
Løsningsfilterrengjøring				
Støvsugningsfilterrengjøring				
Sjekk av væsknivå på våtbatteri				
Sjekk av stramheten på skruer og mutre			(1)	
Tilsett smøreolje for roterende deler (som bremseolje)			(1)	
Kontroll eller utskifting av børstemotorkarbonbørste				(2)
Kontroll eller utskifting av støvsugermotorkarbonbørste				(2)
Kontroll eller utskifting av drivsystemmotorkarbonbørste				(2)

WPROWADZENIE**PRZESTROGA!**

Instrukcja nie zawiera niektórych ogólnych i szczegółowych informacji.

Prosimy o przeczytanie SKRÓCONEJ INSTRUKCJI URUCHAMIANIA dostarczonej na płycie CD-ROM, korzystając z programu Adobe® Reader®.

**UWAGA**

Liczby w nawiasach odnoszą się do elementów pokazanych w rozdziale Opis maszyny.

CEL I ZAWARTOŚĆ PRZEWODNIKA

Celem niniejszej instrukcji jest przekazanie operatorowi wszystkich podstawowych informacji i charakterystyk technicznych dotyczących sposobu obsługi, postępowania z maszyną nieużywaną, części zamiennych, warunków bezpieczeństwa itp.

Przed przystąpieniem do jakichkolwiek czynności przy maszynie operatorzy i wykwalifikowani technicy muszą przeczytać uważnie instrukcję obsługi. W razie jakichkolwiek wątpliwości dotyczących interpretacji instrukcji lub potrzeby uzyskania informacji dodatkowych należy się skontaktować z naszą firmą.

SPOSÓB PRZECHOWYWANIA NINIEJSZEJ INSTRUKCJI OBSŁUGI

Instrukcję obsługi należy przechowywać w pobliżu maszyny, w odpowiednim schowku, zabezpieczoną przed płynami i innymi substancjami, które mogłyby ją zniszczyć.

DEKLARACJA ZGODNOŚCI

Deklaracja zgodności dołączona do urządzenia potwierdza zgodność maszyny z obowiązującymi przepisami.

**UWAGA**

Do dokumentacji maszyny dołączono dwa oryginalne egzemplarze deklaracji zgodności.

AKCESORIA I KONSERWACJA

Czynności obsługowe, konserwacyjne i naprawy może prowadzić tylko wykwalifikowany personel albo punkt serwisowy wyznaczony przez naszą firmę. Należy używać TYLKO oryginalnych części zamiennych i akcesoriów.

W celu uzyskania serwisu lub nabycia akcesoriów bądź części zamiennych, prosimy o kontakt z naszym centrum obsługi klienta.

ZMIANY I MODERNIZACJE

Nasza firma stale doskonali swoje produkty i zastrzega sobie prawo do wprowadzania zmian i modernizacji bez dodatkowego informowania o tym.

ZASTOSOWANIE

Szczotka nadaje się do użytku komercyjnego i przemysłowego. Służy ona do czyszczenia gładkich i twardych podłóg i musi być obsługiwana przez wykwalifikowany personel, w bezpiecznym otoczeniu. Nie nadaje się do użytkowania na zewnątrz, ani do czyszczenia wykładzin lub podłóg o szorstkiej powierzchni.

DANE IDENTYFIKACYJNE MASZYNY

Model oraz numer seryjny urządzenia znajduje się na tabliczce znamionowej.

To ważne informacje. Prosimy w tabeli poniżej wpisać te dane, bo będą potrzebne przy zamawianiu części zamiennych.

MODEL MASZYNY.....
NUMER SERYJNY MASZYNY.....

TRANSPORT I ODPAKOWANIE

Po dotarciu urządzenia na miejsce, sprawdzić czy opakowanie i maszyna nie uległy uszkodzeniu w czasie transportu. W przypadku stwierdzenia jakichkolwiek uszkodzeń, prosimy o zgłoszenie tego przewoźnikowi oraz o zastrzeżenie sobie prawa do rekompensaty przed przyjęciem towaru.

Podczas odpakowywania maszyny, ściśle przestrzegać zaleceń znajdujących się na opakowaniu.

Sprawdzić czy opakowanie zawiera:

1. Dokumentacja techniczna - Instrukcja użytkownika.
2. Elementy podłączeniowe akumulatora.
3. Instrukcja elektronicznego prostownika do akumulatorów (jeżeli występuje) (*)

BEZPIECZEŃSTWO

Poniższe symbole wskazują na potencjalne niebezpieczeństwo. Zawsze czytać tak oznakowane informacje i przedsięwziąć wszelkie środki ostrożności w celu ochrony ludzi i mienia.

SYMBOLE NA URZĄDZENIU**OSTRZEŻENIE!**

Uważnie przeczytać instrukcje przed wykonaniem jakiegokolwiek czynności na urządzeniu.

**OSTRZEŻENIE!**

Nie myć urządzenia bezpośrednio wodą ani strumieniem wody pod ciśnieniem.

**OSTRZEŻENIE!**

Nie używać maszyny do pracy na pochyłościach o nachyleniu większym niż określono w specyfikacji.

SYMBOLE WYSTĘPUJĄCE W INSTRUKCJI OBSŁUGI**NIEBEZPIECZEŃSTWO!**

Wskazuje na wystąpienie niebezpiecznej sytuacji, śmiertelnie zagrażającej operatorowi.

**OSTRZEŻENIE!**

Wskazuje na potencjalne ryzyko powstania uszczerbku na zdrowiu ludzi.

**PRZESTROGA!**

Wskazuje na ostrzeżenie lub informację dotyczącą ważnej lub użytecznej funkcji. Zwracać uwagę na akapity z tym znakiem w tekście.

**UWAGA**

Wskazuje na informację dotyczącą jakiejś ważnej lub użytecznej funkcji.

**SPRAWDZIĆ**

Wskazuje na konieczność zajrzenia do Instrukcji użytkownika przed wykonaniem czynności.

OGÓLNA INSTRUKCJA BHP

Poniżej przedstawiono specyficzne ostrzeżenia informujące o możliwości doznania uszczerbku na zdrowiu lub uszkodzenia maszyny.

**NIEBEZPIECZEŃSTWO!**

- Maszynę może obsługiwać tylko przeszkolony i upoważniony personel, zgodnie z wytycznymi tej instrukcji.
- Przed przystąpieniem do jakiegokolwiek procedury czyszczenia, konserwacji, naprawy lub wymiany, należy uważnie przeczytać instrukcje, sprawdzić czy maszyna jest wyłączona i odłączona od akumulatora.
- Nie używać maszyny w miejscach, gdzie znajdują się toksyczne, niebezpieczne, łatwopalne i/lub wybuchowe materiały sypkie, ciecze lub opary. Urządzenie nie nadaje się do zbierania niebezpiecznych pyłów.
- Pracując przy podzespołach elektrycznych, nie należy nosić biżuterii.
- Nie należy pracować pod podniesioną maszyną, jeśli nie jest ona w bezpieczny sposób podparta.
- Jeżeli stosuje się akumulatory kwasowe mokre, które w normalnych warunkach eksploatacji wydzielają palny gaz, należy je trzymać z dala od iskier, otwartego ognia, materiałów wydzielających dym, przedmiotów promieniujących, świecących i palących się.
- Akumulatory kwasowe mokre w czasie ładowania mogą wydzielać wybuchowy, gazowy wodór. Ładowanie musi być wykonywane w dobrze wentylowanym miejscu, z dala od otwartego ognia.

**OSTRZEŻENIE!**

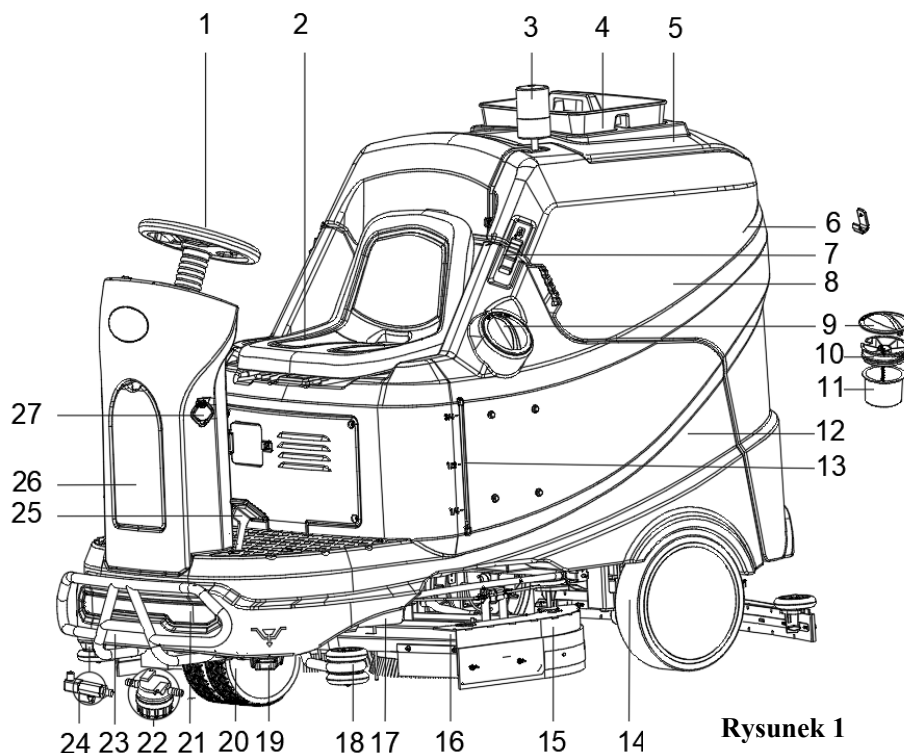
- Maszyna jest przeznaczona do UŻYTKU KOMERCYJNEGO, np. w hotelach, szkołach, szpitalach, zakładach przemysłowych, sklepach, biurach czy wypożyczalniach.
- W przypadku pozostawiania maszyny bez nadzoru należy ją zabezpieczyć przed przypadkowym poruszeniem się.
- Aby zapobiec użyciu maszyny bez zezwolenia, należy odłączać lub blokować zasilanie, na przykład wyjmując klucz z głównego wyłącznika lub ze stacyjki.
- Przed każdym użyciem dokładnie sprawdzać stan maszyny. Przed użyciem sprawdzić czy dobrze poskładano wszystkie części. Elementy poluzowane mogą spowodować obrażenia ciała i szkody materialne.
- Nie przemieszczać maszyny ciągnąc za kabel ładowarki. Nie przekładać kabla przez szczelinę w drzwiach ani wokół ostrych krawędzi lub narożników. Nie najeżdżać maszyną na kabel ładowarki. Trzymać kabel ładowarki z dala od rozgrzanych powierzchni.
- Nie ładować akumulatorów, jeśli kabel lub wtyczka ładowarki jest uszkodzona.
- Aby ograniczyć ryzyko wystąpienia pożaru, porażenia elektrycznego lub obrażeń, przed opuszczeniem maszyny należy się upewnić, że jest ona wyłączona.
- Maszynę należy użytkować i przechowywać wewnątrz pomieszczeń, w warunkach suchych. Użytkowanie na zewnątrz jest niedozwolone.
- Temperatura pracy oraz przechowania maszyny musi mieścić się w zakresie od 0°C do +40°C, a wilgotność powietrza w zakresie od 30% do 95%.
- Nie używać maszyny na pochyłościach o nachyleniu większym niż określono w specyfikacji.
- W przypadku stosowania detergentów do podłóg, przestrzegać instrukcji podanych na etykietach umieszczonych na pojemnikach z tymi środkami oraz nosić odpowiednie rękawice i inne zabezpieczenia.
- Używać szczotek i poduszek dostarczanych wraz z maszyną lub wymienionych w instrukcji. Inne szczotki lub pady mogą obniżyć bezpieczeństwo.
- W przypadku nieprawidłowego działania maszyny, należy upewnić się, że nie jest to spowodowane brakiem konserwacji. W razie konieczności, zwrócić się o pomoc do upoważnionego personelu lub autoryzowanego punktu serwisowego.
- Należy przedsięwziąć wszelkie środki ostrożności, aby zapobiec zahaczeniu się włosów, biżuterii lub luźnych ubrań o ruchome części maszyny.
- Nie używać maszyny w miejscach szczególnie zapyłonych.

- Nie myć urządzenia strumieniem wody pod ciśnieniem ani przy użyciu substancji żrących.
- Nie uderzać w regały i rusztowania, zwłaszcza jeżeli istnieje ryzyko spadnięcia z nich przedmiotów.
- Nie kłaść pojemników z płynami na maszynie; używać odpowiednich uchwytów na pojemniki.
- Aby nie uszkodzić podłogi, nie uruchamiać szczotki/pada w stojącej maszynie.
- W przypadku pożaru stosować gaśnice proszkowe. Nie stosować gaśnic płynowych.
- Nie usuwać ani nie zmieniać etykiet umieszczonych na maszynie.
- Nie naruszać elementów zabezpieczających maszynę i ściśle przestrzegać instrukcji przeglądów planowych.
- Zachowywać szczególną ostrożność podczas transportowania maszyny w temperaturach poniżej zera. Woda w zbiorniku zwrotnym lub węzłach mogłaby zamarznąć i spowodować poważne uszkodzenia maszyny.
- Jeżeli potrzebne są części zamienne, należy zamawiać ORYGINALNE części u autoryzowanych agentów lub sprzedawców.
- Jeżeli maszyna jest uszkodzona lub nie działa tak jak powinna, należy zwrócić ją do autoryzowanego punktu serwisowego.
- Aby zapewnić prawidłowe i bezpieczne działanie maszyny, należy przeprowadzać okresowe przeglądy techniczne opisane w stosownym rozdziale niniejszej instrukcji, które muszą być wykonywane tylko przez uprawnionych pracowników lub autoryzowanych agentów bądź sprzedawców.
- Z powodu obecności materiałów toksycznych i szkodliwych (akumulatory itp.), które zgodnie z obowiązującymi normami wymagają utylizacji w specjalnych ośrodkach, maszynę należy poddać właściwej utylizacji (patrz rozdział poświęcony złomowaniu).
- Maszyna służy wyłącznie do czyszczenia. Nie należy korzystać z niej w żadnym innym celu.
- Chronić otwory przed pyłem, włosami i innymi ciałami obcymi, które mogą ograniczyć przepływ powietrza. Nie używać urządzenia, w którym otwory zostały zaczopowane.
- Z maszyny można korzystać tylko przy odpowiednim oświetleniu.
- Maszyna nie jest przeznaczona do użytku przez osoby (w tym dzieci) o obniżonych zdolnościach fizycznych, czuciowych lub umysłowych albo bez odpowiedniego doświadczenia i wiedzy.
- Należy zwracać baczność uwagę na dzieci znajdujące się w pobliżu miejsca pracy.
- Dzieci należy pilnować, aby nie używały maszyny do zabawy.
- Podczas użytkowania maszyny uważać, by nie spowodować uszczerbku na zdrowiu ludzi ani szkód materialnych.
- Czyszczenie i konserwacja nie powinny być wykonywane przez dzieci bez nadzoru.
- Operator musi być odpowiednio przeszkolony z korzystania z tego typu maszyn.
- Na obszarach, na których występuje prawdopodobieństwo zranienia operatora przez spadające obiekty nie wolno posługiwać się maszyną, która nie jest wyposażona w kabinę bezpieczną typu FOPS (zabezpieczoną przed spadającymi obiektami).

OPIS URZĄDZENIA

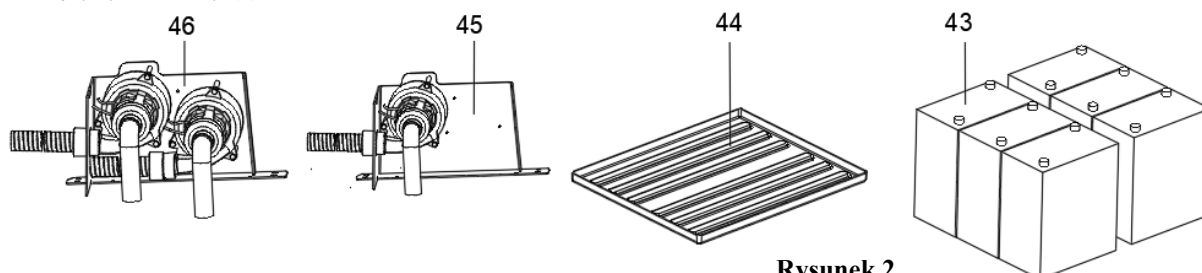
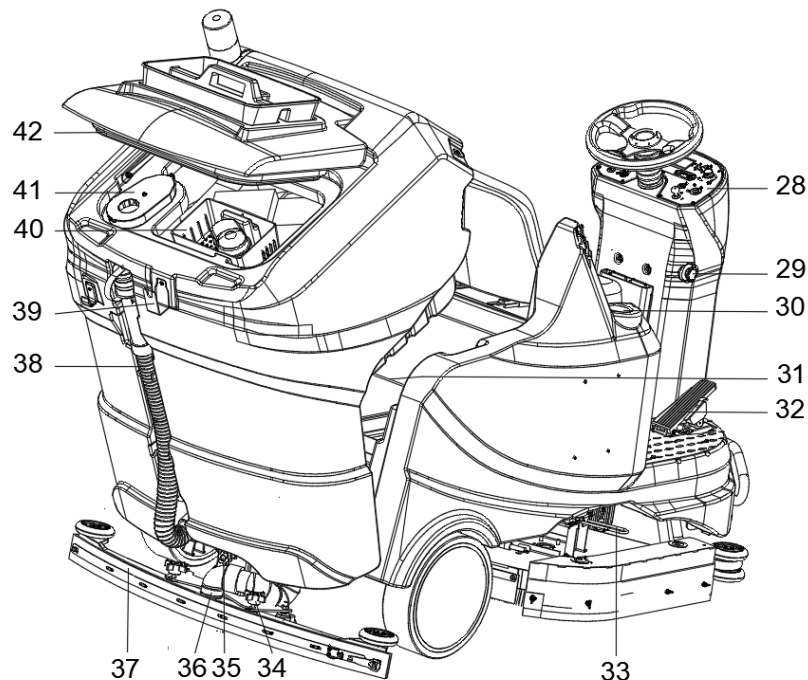
KONSTRUKCJA MASZYNY* - opcjonalnie

1. Kierownica
2. Siedzenie, regulowane (z wyłącznikiem bezpieczeństwa)
3. Lampka ostrzegawcza
4. Pojazd użytkowy (*)
5. Pokrywa zbiornika zwrotnego
6. Hak
7. Zamek (x2)
8. Zbiornik zwrotny
9. Osłona filtra
10. Uchwyt węża filtra
11. Podpora filtra
12. Zbiornik na roztwór
13. Rurka poziomego wody
14. Koła napędowe (z hamulcem mechanicznym)
15. Boczne osłony przeciwbryzgowe
16. Montaż szczotek
17. Pompa
18. Koła zderzaka
19. Pokrywa spustowa zbiornika roztworu
20. Przednie koła
21. Przednie światła
22. Filtr roztworu
23. Zderzak przedni
24. Zawór odcinający roztworu
25. Pedał hamulca mechanicznego
26. Wewnętrzna pokrywa magazynowa
27. Port ładowarki USB
28. Panel sterowania
29. Wyłącznik awaryjny
30. Uchwyt na kubek
31. Przewód wsporczy zbiornika zwrotnego
32. Pedał przyspieszenia
33. Zatrzymanie instalacji sterownika szczotki/pada
34. Pokrętła zgarniaka
35. Pokrętło regulacji kąta zgarniaka
36. Wąż podciśnieniowy zgarniaka
37. Zgarniak
38. Wąż spustowy odzysku wody
39. Hak zgarniaka
40. Pojemnik na odpady
41. Filtr wlotowy podciśnienia
42. Uszczelka pokrywy zbiornika
43. Akumulatory (nie dotyczy)
44. Półka akumulatora (*)
45. System ssący
46. Podwójny system ssący (*)



Rysunek 1

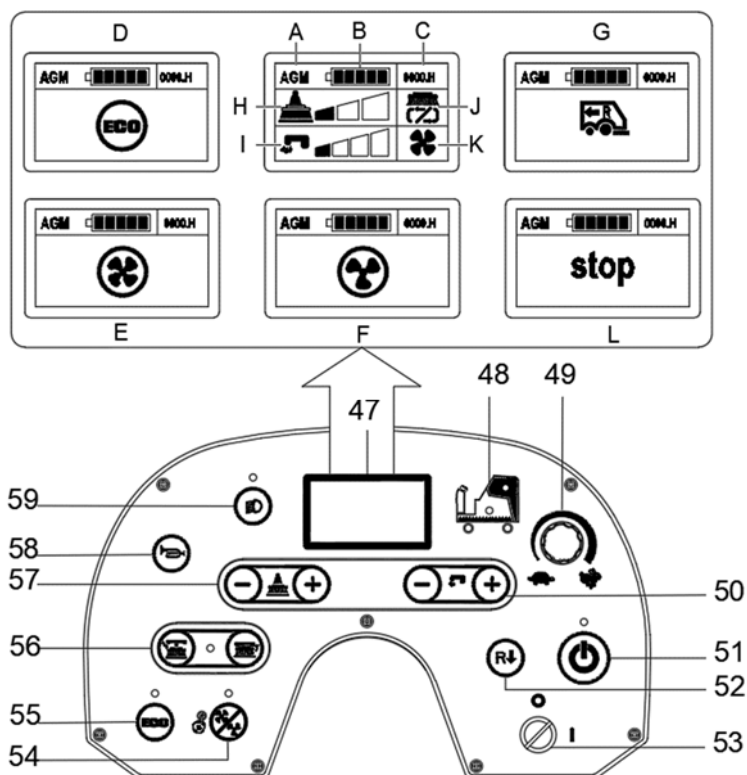
28. Panel sterowania
29. Wyłącznik awaryjny
30. Uchwyt na kubek
31. Przewód wsporczy zbiornika zwrotnego
32. Pedał przyspieszenia
33. Zatrzymanie instalacji sterownika szczotki/pada
34. Pokrętła zgarniaka
35. Pokrętło regulacji kąta zgarniaka
36. Wąż podciśnieniowy zgarniaka
37. Zgarniak
38. Wąż spustowy odzysku wody
39. Hak zgarniaka
40. Pojemnik na odpady
41. Filtr wlotowy podciśnienia
42. Uszczelka pokrywy zbiornika
43. Akumulatory (nie dotyczy)
44. Półka akumulatora (*)
45. System ssący
46. Podwójny system ssący (*)



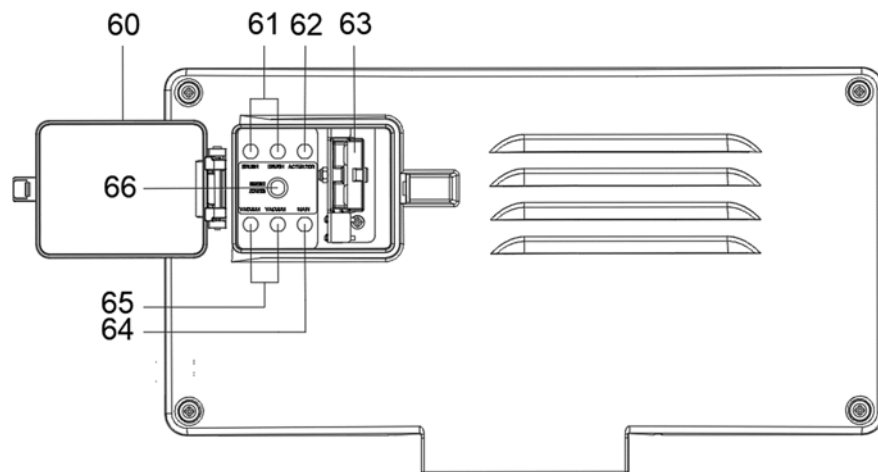
Rysunek 2

PANEL STEROWANIA (jak przedstawiono)

47. Wyświetlacz wielofunkcyjny
Wyświetlane pozycje:
A) Typ akumulatora
B) Poziom naładowania akumulatora
C) Godziny pracy
D) Tryb ECO
E) Odkurzanie – tryb normalny
F) Odkurzanie – tryb cichy
G) Tryb cofania
H) Włączony dodatkowy docisk
I) Ilość przepływu roztworu detergentu
J) Tryb pracy szczotki
K) Tryb odkurzania
L) Przełącznik bezpieczeństwa siedzenia wyl.
48. Wskaźnik pełnego zbiornika zwrotnego / pustego zbiornika roztworu
49. Pokrętko regulacji prędkości
50. Przyciski regulacji przepływu roztworu
51. Przycisk uruchamiania
· Świeci dioda LED na przyciskiem - funkcja aktywna
· system wodny (poziom 2)
· minimalne ciśnienie (poziom 1)
· system ssący normalny
52. Przycisk do przodu - do tyłu
53. Kluczyk zapłonowy (0=WŁ. I=WYŁ.)
54. Przycisk regulacji systemu ssącego (aby włączyć, nacisnąć przycisk na 1 sekundę)
· Dioda LED świeci ciągle - tryb zwykły
· Miganie diody LED - tryb cichy
55. Przycisk trybu ECO
· Świeci dioda LED na przyciskiem - funkcja aktywna
· minimalny przepływ wody (poziom 1)
· minimalne ciśnienie (poziom 1)
· Odkurzanie w trybie cichym
56. Uchwyt szczotki/pada kliknięcie wł./wyl.
· Migająca dioda LED - kliknięcie włączone
57. Przyciski regulacji docisku szczotki
58. Przycisk klaksonu
59. Przycisk światła przedniego
60. Pokrywa wtyczki ładowarki
61. Ochrona silnika szczotki przed przeciążeniem (30A)
62. Ochrona podnośnika szczotki przed przeciążeniem (3A)
63. Wtyczka ładowarki
64. Ochrona głównego obwodu sterowania przed przeciążeniem (5A)
65. Ochrona silników ssawy przed przeciążeniem (30A)
66. Ochrona podnośnika zgarniaka przed przeciążeniem (3A)



Rysunek 3



Rysunek 4

PARAMETRY TECHNICZNE

Rodzaj parametru	AS1050R
Napięcie	36 V
Moc znamionowa (WEJŚCIE)	125A/4500W
Stopień ochrony IP	IP24
Pojemność zbiornika roztworu	200 l / 53 Gal.
Pojemność zbiornika zwrotnego	200 l / 53 Gal.
Szerokość szorowania	980mm/35,58 cala
Srednica szczotki/pada	508 mm x 2 / 20 cali x 2
Nacisk szczotki/pada (maks.)	90 kg / 198 lbs
Moc silnika szczotki (WEJŚCIE)	2 x 1000 watów / 2 x 1,3 HP
Prędkość szczotki w trybie normalnym	240 obr./min
Prędkość szczotki w trybie ECO	175 obr./min
Przepływ roztworu (maks.) w zależności od ustawienia/minutę	(1,6/2,3/3,3/4,6) litry / 0,42/0,61/0,87/1,22 Gal
Poziom ciśnienia akustycznego (jeden silnik ssawy)	72 ±3 dB(A)
Poziom ciśnienia akustycznego (dwa silniki ssawy) (*)	75 ±3 dB(A)
Poziom ciśnienia akustycznego w trybie ECO lub w trybie cichym	69 ±3 dB(A)
Moc silnika odkurzania	600 W/0,8 KM
Ładowanie USB	5 V 2,4 A MAKS.
Wydajność (maks.)	7840 m ² /h/84389 st ² /h
Prędkość robocza	0 – 8 km / 0 – 5 mil na godzinę
Prędkość do przodu	0 – 8 km / 0 – 5 mil na godzinę
Prędkość cofania	0 – 5 km / 0 – 3,1 mil na godzinę
Moc silnika napędowego (WEJŚCIE)	1600 W/2,1 KM
Min. zakręt korytarza	2650mm/104 cali
Zdolność pokonywania wzniesienia (maks.) w transporcie	20%
Robocza zdolność pokonywania wzniesienia (maks.)	16%
Średnica koła napędowego	340mm/13,4 cala
Nacisk koła napędowego na podłoże	0,68 N/mm ²
Średnica przedniego koła	250 mm/10 cala
Nacisk koła przedniego na podłoże	0,62 N/mm ²
Poziom drgań kierownicy (maks.)	< 2,5 m/s ²
Wielkość komory na akumulator bez półki (dł. x szer. x wys.)	(680x560x450) mm / 26,7 x 22 x 17,7 cali
Wielkość komory na akumulator z półką (dł. x szer. x wys.) (*)	(665x550x430) mm / 26,1 x 21,6 x 16,9 cali
Długość maszyny bez zderzaka przedniego	1875mm/73,8 cali
Szerokość maszyny bez zgarniaka	1077mm/42,4 cali
Wysokość maszyny	1350 mm/53 cala
Wysokość maszyny (Z osłoną górną)	1955 mm/77 cala
Masa maszyny z pustymi zbiornikami (bez akumulatorów)	398 kg / 853,6 funtów
Masa pojazdu gotowego do jazdy	870 kg / 1914 funtów
Masa pojazdu gotowego do jazdy (Z osłoną górną)	897 kg / 1973 funtów
Masa wysyłkowa	490 kg / 1078 funtów
Wymiary opakowania (dł. x szer. x wys.)	(2110 x 1220 x 1535 mm) / (83 x 48 x 60,4 cali)

(*) : opcja

SPOSÓB UŻYCIA

**OSTRZEŻENIE!**

- Na niektórych częściach maszyny znajdują się naklejki wskazujące na:
- NIEBEZPIECZEŃSTWO!
 - OSTRZEŻENIE!
 - PRZESTROGA!
 - SPRAWDZIĆ

W trakcie czytania instrukcji, operator winien zwracać uwagę na symbole przedstawione na naklejkach. W żadnym wypadku nie wolno tych naklejek zasłaniać, a w przypadku uszkodzenia – natychmiast wymienić.

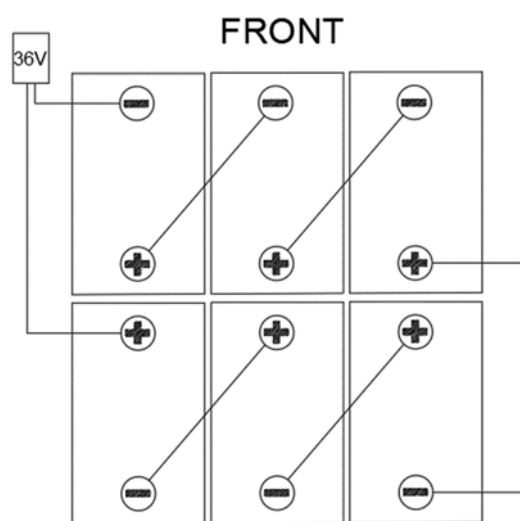
INSTALACJA I USTAWIENIE AKUMULATORÓW W NOWYM URZĄDZENIU

**OSTRZEŻENIE!**

Elementy elektryczne urządzenia mogą ulec poważnemu uszkodzeniu jeśli akumulatory zostaną nieprawidłowo zainstalowane albo podłączone. Tylko wykwalifikowany personel może instalować akumulatory. Ustalić typ akumulatora za pomocą poniższej procedury zgodnie z typem używanego akumulatora (akumulatory MOKRE lub żelowe/AGM/DIS/ENE). Przed montażem akumulatorów sprawdzić, czy nie są one uszkodzone. Rozłączyć łącznik akumulatorów i wtyczkę ładowarki. Bardzo ostrożnie obchodzić się z akumulatorami. Założyć nakrywki ochronne przyłączy akumulatorów, dołączone do urządzenia.

**UWAGA**

Maszyna wymaga sześciu akumulatorów 6V, podłączonych i zainstalowanych w pozycjach przedstawionych na rysunku 5.



Rysunek 5

Akumulatory już zainstalowane w maszynie

1. Sprawdzić, czy złącze akumulatora jest podłączone.
2. Przy pierwszym użyciu maszyny z nowymi akumulatorami należy wykonać pełny cykl ładowania (patrz procedura w rozdziale poświęconym konserwacji).

Bez akumulatorów

1. Kupić odpowiednie akumulatory (patrz akapit „Dane techniczne”). W sprawie wyboru i instalacji akumulatorów należy skontaktować się z wykwalifikowanymi sprzedawcami akumulatorów.
2. Ustalić ustawienie typu akumulatora za pomocą poniższej procedury.

INSTALACJA I USTAWIENIE TYPU AKUMULATORA (MOKRY/ŻELOWY/AGM/DIS/ENE)**Montaż akumulatora**

1. Otworzyć lewe i prawe zatrzaski (7, rysunek 1).
2. Otworzyć pokrywę zbiornika zwrotnego (5, rysunek 1) i sprawdzić czy zbiornik zwrotny (8, rysunek 1) jest pusty – jeśli nie, opróżnić go przez wąż spustowy (38, rysunek 2).
3. Zamknąć pokrywę zbiornika zwrotnego (5, rysunek 1)
4. Ostrożnie podnieść zbiornik zwrotny (8, rysunek 1)
5. Odłączyć przewód zbiornika zwrotnego i wymontować cały zespół zbiornika.
6. Wykręcić jedną śrubę przewodu wspomagającego zbiornika zwrotnego (31, rysunek 2) i odwrócić.
7. Odkręcić cztery śruby znajdujące się u dołu zbiornika zwrotnego.

Maszyna jest dostarczana z przewodami przystosowanymi do montażu sześciu akumulatorów 6 V. Ostrożnie umieścić akumulatory w komorze, po czym prawidłowo je zamontować jak przedstawiono na rysunku 5. Prawidłowo ustawić płytę mocowania akumulatorów.

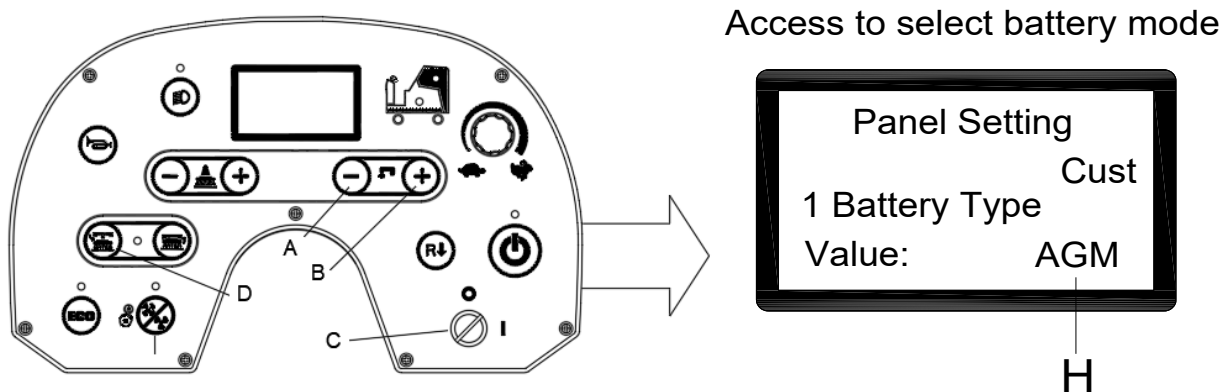
8. Ułożyć i zamontować przewód akumulatora zgodnie z rysunkiem 5, a następnie ostrożnie dokręcić nakrętki wszystkich zacisków akumulatora.

9. Założyć kołpak ochronny na każdy zacisk, a następnie podłączyć złącze akumulatora do maszyny.
10. Zamontować cały zespół zbiornika zwrotnego w kolejności odwrotnej do demontażu.
11. Ostrożnie obniżyć zbiornik zwrotny.

Ustawienie typu akumulatora (MOKRY/ŻELOWY/AGM/DIS/ENE)

Dostęp do trybu wyboru akumulatora

W zależności od typu akumulatorów (MOKRE/ŻELOWE/AGM/DIS/ENE), ustawić maszynę jak niżej:



Rysunek 6

1. Równocześnie nacisnąć przycisk „-” (A rysunek 6) i „+” (B rysunek 6) przepływu wody.
2. Włożyć kluczyk zapłonowy (C rysunek 6) i ustawić w położeniu „I”.
3. Poczekać kilkanaście sekund i wejść na ekran wyboru trybu akumulatora (rysunek 6).
4. Nacisnąć przycisk „-” (A, rysunek 6) i „+” (B, rysunek 6) przepływu wody, aby wybrać tryb akumulatora (H, rysunek 6).
5. Nacisnąć przycisk zwalniania (D, rysunek 6). Po 3 sekundach pojawia się komunikat „Update OK” co oznacza powodzenie, uruchomić maszynę ponownie. (C, rysunek 6).

Ładowanie akumulatorów

Całkowicie naładować akumulatory (patrz procedura w rozdziale „Konserwacja”).

Rozładowanie akumulatorów

Kiedy wskaźnik akumulatora jest wypełniony całkowicie (G, rysunek 7), akumulatory są w pełni naładowane. Kiedy symbol akumulatora wypełniony w niewielkim stopniu (H, rysunek 7), akumulatory należy naładować. Kilka sekund po pojawieniu się wskaźnika niskiego poziomu naładowania akumulatorów silniki szczotki wyłączają się automatycznie, ale system napędu pozostaje włączony. Natychmiast dojechać maszyną do ustalonego miejsca ładowania.



Rysunek 7

INSTALACJA I DEMONTAŻ UCHWYTU SZCZOTKI/PADA



UWAGA

Zależnie od podłogi, jaka ma być czyszczona, do urządzenia montuje się szczotkę (A, rysunek 8), albo uchwyt pada (B i C, rysunek 8).



PRZESTROGA!

Przed montażem lub demontażem szczotki lub uchwytu poduszki sprawdzić, czy są wyłączone wszystkie przelączniki na maszynie, a zgarniak jest uniesiony nad podłogę. Aby zmniejszyć ryzyko wypadku, operator musi być wyposażony w stosowne środki ochrony indywidualnej, np. rękawice,

Postępować w następujący sposób:

MONTAŻ:

1. Włożyć kluczyk zapłonowy (53, rysunek 3) i ustawić w położeniu „I”. Podnieść talerz.
2. Umieścić szczotki (A, rysunek 8) lub uchwyty pada (B, rysunek 8) pod podstawą. Użyć ogranicznika instalacji szczotek (D, rysunek 8), aby pomóc w znalezieniu właściwego położenia uchwyty szczotki/pada.
3. Zainstalować uchwyty szczotki/pada przez naciśnięcie przycisku uchwyty szczotki/pada (F, rysunek 8), uchwyty szczotki/pada zostanie zainstalowany automatycznie. Kierunek obrotu został przedstawiony (rysunek 8). Wskaźnik świetlny LED będzie migał.

DEMONTAŻ:

1. Włożyć kluczyk zapłonowy (53, rysunek 3) i ustawić w położeniu „I”. Upewnić się, że uchwyty szczotki/pada jest ustawiony w pozycji podniesionej (GÓRA). Zdemontować uchwyty szczotki/pada naciskając przycisk zwalnający uchwyty szczotki/pada (E, rysunek 8), uchwyty szczotki/pada zostanie zwolniony automatycznie. Wskaźnik świetlny LED będzie świecił ciągle.



Rysunek 8

Jeśli naciśniesz przycisk wyłączania szczotki oraz włączania, musisz wyłączyć kluczyk zapłonu, a następnie go włączyć i wtedy maszyna może ponownie pracować.

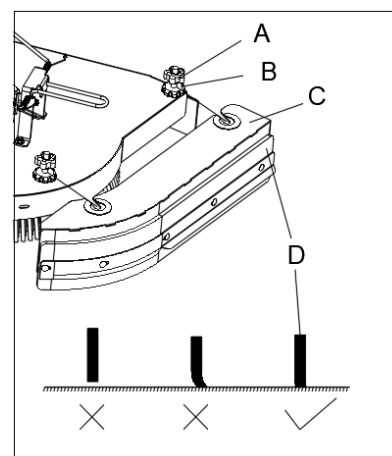
REGULACJA RÓWNOWAGI BOCZNYCH OSŁON PRZECIWBRYZGOWYCH

Wysokość osłony przeciwbryzgowej musi być monitorowana i regulowana. Podczas czyszczenia za pomocą maszyny należy sprawdzić działanie bocznych osłon przeciwbryzgowych.

- A. Jeśli osłony przeciwbryzgowie są zbyt wysokie, odstęp między osłoną przeciwbryzgową (D) a podłożem spowoduje wyciekanie wody na podłoże podczas obracania.
- B. Jeśli osłony przeciwbryzgowie są zbyt niskie, osłona przeciwbryzgową (D) odchyli się zbyt daleko powodując wyciekanie wody podczas obracania i skracając okres eksploatacji osłony przeciwbryzgowej.
- C. Osłony przeciwbryzgowie są prawidłowo wyregulowane, gdy delikatnie dotykają podłoża od przodu do tyłu osłony przeciwbryzgowej.

Procedura regulacji jest następująca:

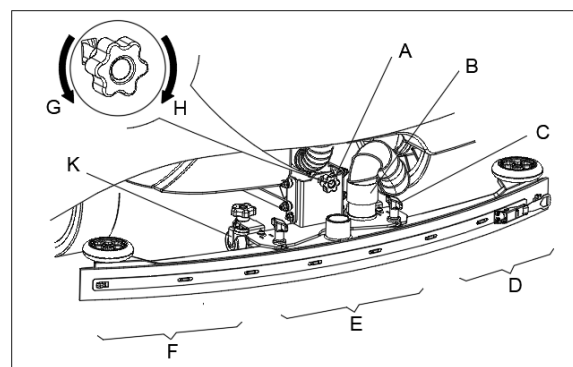
1. Upewnić się, że podstawa znajduje się w pozycji podniesionej (GÓRA).
2. Poluzować górne nakrętki mocujące (A) i wymontować zespół osłony przeciwbryzgowej.
3. Wyregulować dolne nakrętki zabezpieczające (B) w górę/w dół.
4. Ponownie zamontować zespół osłony przeciwbryzgowej i sprawdzić regulację.
5. Powtórzyć 3. i 4. w razie potrzeby, aby uzyskać prawidłową regulację osłony przeciwbryzgowej.
6. Dokręcić górne nakrętki zabezpieczające (A), aby zabezpieczyć regulację.
7. Powtórzyć procedurę na drugiej stronie osłony przeciwbryzgowej.



Rysunek 9

REGULACJA RÓWNOWAGI ZGARNIAKA

1. Zamontować zgarniak i dokręcić nakrętki (C, rysunek 10), a następnie podłączyć wąż podciśnieniowy (B) do zgarniaka.
2. Wyregulować zgarniak za pomocą pokrętki regulacji zgarniaka (A).
 - a) Jeżeli środkowy odcinek tylnego pióra zgarniaka (E) nie styka się z podłogą, obracać pokrętkę (A) zgodnie z ruchem wskazówek zegara (H) do momentu, aż wszystkie odcinki tylnego pióra zgarniaka dobrze zetkną się z podłogą. Przednie pióro ma tylko lekko dotykać podłogi.
 - b) Jeżeli obydwa odcinki końcowe tylnego pióra zgarniaka (D i F) nie stykają się z podłogą, obracać pokrętkę (A) w kierunku przeciwnym do ruchu wskazówek zegara (G) do momentu, aż wszystkie odcinki tylnego pióra zgarniaka dobrze zetkną się z podłogą. Przednie pióro ma tylko lekko dotykać podłogi.



Rysunek 10

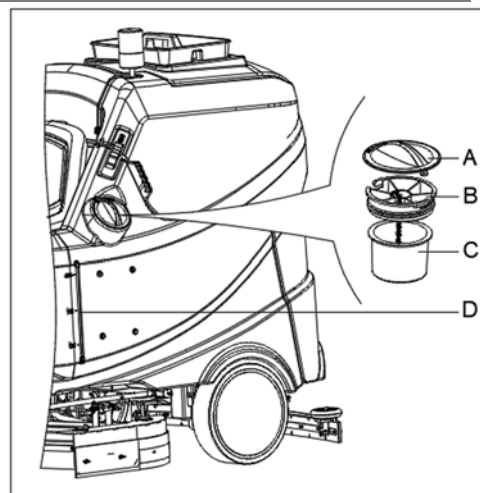
W razie potrzeby wyregulować całą wysokość zgarniaka za pomocą regulacji wysokości kółka (K).

NAPEŁNIANIE ZBIORNIKA ROZTWORU

1. Otworzyć pokrywę wlotu wody (A, rysunek 11).
2. Napęlnić wodą lub roztworem, stosownie do pracy, przez wlot wody z filtrem. Temperatura roztworu nie może przekraczać +104F (+40°C).
3. Nie przepęlniać zbiornika, sprawdzić wskaźnik poziomu wody (D) dla objętości wody.

**OSTRZEŻENIE!**

Stosować detergenty przeznaczone do automatycznych urządzeń myjących – niskopięniące i niepalne.



Rysunek 11

KONTROLA SILNIKA NAPĘDOWEGO I HAMULCA MECHANICZNEGO

1. Przekręcić kluczyk zapłonowy (A rysunek 12) w położenie „I” i usiąść na siedzeniu (C).
4. Lekko nacisnąć pedał przyspieszenia (D), a następnie puścić, sprawdzając jazdę do przodu i zatrzymanie maszyny.
5. W celu zapewnienia bezpieczeństwa należy potwierdzić, że maszynę można zatrzymać natychmiast po naciśnięciu wyłącznika awaryjnego (B). Zresetuj wyłącznik awaryjny - obracając go.
6. Szybko wcisnąć pedał hamulca mechanicznego (F), aby sprawdzić, czy maszynę można natychmiast zatrzymać.

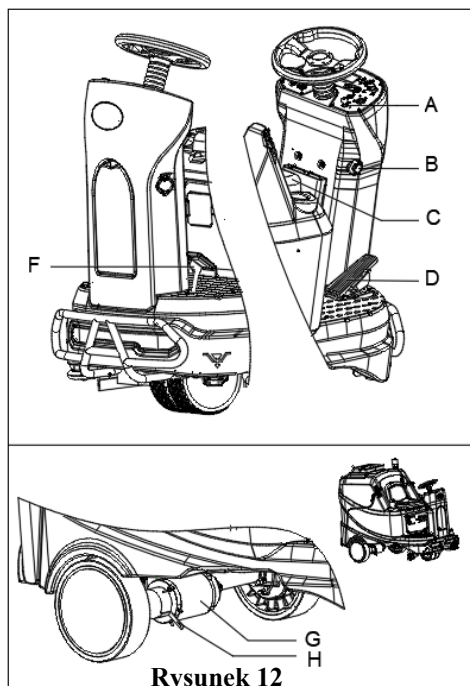
**OSTRZEŻENIE!**

Robocza zdolność pokonywania wzniesienia nie może przekraczać 16%. Podczas pracy na pochyłości zatraski zbiornika (7 rysunek 1) muszą być zamocowane. Ze względów bezpieczeństwa nigdy nie zatrzymuj go na zboczu.

Podczas wspinania się na zbocze o maksymalnym nachyleniu 20% należy z wyprzedzeniem ustawić potencjometr ograniczający prędkość w położeniu maksymalnej prędkości. Wciśnij pedał przyspieszenia do maksimum podczas wspinania się po zboczu.

W przypadku szorowania po skarpie o maksymalnym nachyleniu 16% należy z wyprzedzeniem ustawić potencjometr ograniczający prędkość w położeniu maksymalnej prędkości. Jeśli na wyświetlaczu pojawi się komunikat „Error 4, Tra Overload”, wyreguluj ciśnienie szczotki do najniższego ustawienia.

W przypadku stwierdzenia, że prędkość maszyny staje się wolniejsza i zbliża się do stanu zatrzymania w trakcie wchodzenia na stok, a na wyświetlaczu pojawi się komunikat „Error 4, Tra Overload”, natychmiast zwolnij pedał przyspieszenia i naciśnij hamulec mechaniczny.



Rysunek 12

Jeśli w trakcie wchodzenia na zbocze wyświetlony zostanie komunikat „Error 4, Tra Overload”, natychmiast zatrzymaj się i naciśnij hamulec mechaniczny, przestaw kluczyk w położenie wyłączenia, a następnie przekręć go, aby ponownie uruchomić i zrezygnować z operacji wchodzenia. Wyreguluj potencjometr ograniczenia prędkości do położenia wolnej prędkości, a następnie naciśnij przycisk wstecz, zwolnij hamulec mechaniczny, delikatnie naciśnij pedał przyspieszenia, aby maszyna mogła powoli poruszać się do tyłu, aż do osiągnięcia niższego nachylenia.

**UWAGA!**

Hamulec silnika napędowego jest zwolniony w trakcie normalnej pracy silnika - blokuje wtedy, kiedy silnik przestaje działać. W niektórych szczególnych przypadkach, takich jak pakowanie/rozpakowywanie maszyny, usterka maszyny itp., maszyna może wymagać popchnięcia. Na silniku napędowym (G rysunek 12) popchnąć w dół uchwyt hamulca (H rysunek 12), hamulec maszyny zostaje zwolniony i można przesunąć maszynę. Po zakończeniu popchnąć uchwyt z powrotem do góry, aby maszyna mogła pracować.

URUCHAMIANIE I ZATRZYMYWANIE URZĄDZENIA**Uruchomić maszynę**

1. Przygotować maszynę do uruchomienia zgodnie z instrukcjami z poprzedniego rozdziału.

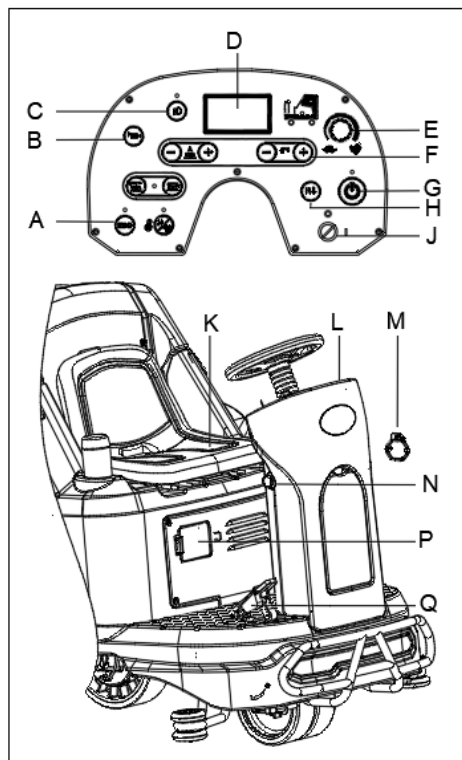
2. Usiąść na siedzeniu (K, rysunek 13), włożyć kluczyk zapłonowy (J, rysunek 13) i obrócić go w położenie „I”. Na wyświetlaczu sprawdzić stan akumulatorów. W razie potrzeby naładować akumulatory (patrz procedura w rozdziale „Konserwacja”).
3. Dojechać maszyną do miejsca pracy.
Kierunek jazdy do przodu/do tyłu można regulować za pomocą przełącznika (H, rysunek 13). Szybkość jazdy reguluje się regulatorem (E, rysunek 13).
4. Nacisnąć przycisk uruchamiania (G, rysunek 13), aby uruchomić maszynę, zgarniak i szczotki są automatycznie opuszczane na podłoże i silnik ssawy zaczyna działać.
5. Naciskać przyciski sterowania przepływem roztworu (F, rysunek 13) stosownie do potrzeb w zależności od planowanego rodzaju czyszczenia.
6. Nacisnąć pedał przyspieszenia (Q, rysunek 13) i rozpocząć czyszczenie.
7. Kiedy kluczyk zapłonowy (J, rysunek 13) znajduje się w położeniu „I”, wtedy można naładować telefon lub pada przez port ładowarki USB (M, rysunek 13).
8. Nacisnąć przycisk klaksonu (B, rysunek 13), aby w razie potrzeby ostrzec osoby.
9. W razie potrzeby nacisnąć wyłącznik awaryjny (N, rysunek 13), aby awaryjnie zatrzymać maszynę.
10. W razie potrzeby nacisnąć przycisk świateł przednich (C, rysunek 13), aby oświetlić ciemne miejsca lub ostrzec pieszych.
11. W razie potrzeby wyregulować siedzenie (K, rysunek 13), przekręcając uchwyt w prawo po prawej stronie siedzenia, a następnie przesunąć siedzenie do właściwej pozycji.

**UWAGA**

Silnik szczotki, silnik ssawy, silnik napędowy i obwód sterowania są chronione zabezpieczeniem przeciążeniowym (P, rysunek 13). Gdy wyłącznik przeciążeniowy zadziała, nie resetować go natychmiast bez ustalenia przyczyny źródłowej i upewnić się, że silnik ostygł przed resetem.

Zatrzymać maszynę

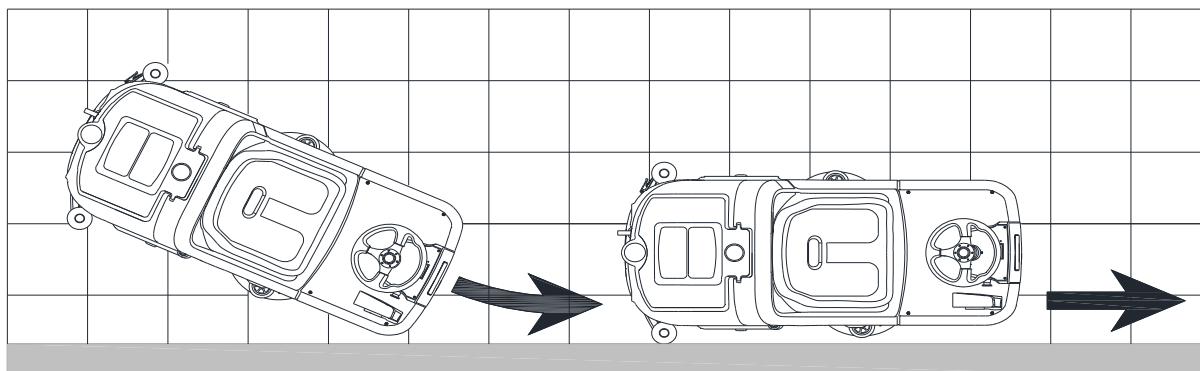
12. Zwolnić pedał przyspieszenia (Q, rysunek 13), maszyna zatrzymuje się.
13. Nacisnąć przycisk uruchamiania (G, rysunek 13), aby zatrzymać szczotki i silnik ssawy. Szczotki i zgarniak są automatycznie podnoszone z podłoża. System ssący wyłączy się po kilku sekundach.
14. Ustawić kluczyk zapłonowy w położenie „0”.
15. Upewnić się, że maszyna nie może ruszyć samodzielnie.

**Rysunek 13****EKSPLOATACJA URZĄDZENIA (CZYSZCZENIE SZCZOTKĄ I SUSZENIE)**

1. Uruchomić urządzenie zgodnie z opisem w poprzednim akapicie.
2. Rozpocząć czyszczenie przestrzegając procedur z rozdziału „Uruchamianie maszyny”.
3. W razie potrzeby, zatrzymać maszynę, aby wyregulować boczne osłony przeciwbryzgowe zgodnie z opisem w rozdziale „Regulacja równowagi bocznych osłon przeciwbryzgowych”.
4. W razie potrzeby, zatrzymać maszynę i wyregulować zgarniak zgodnie z opisem w rozdziale „Regulacja równowagi zgarniaka”.

**UWAGA**

Aby zapewnić prawidłowe zamiatanie/osuszenie podłóg na styku ze ścianami, sugeruje się, aby przejeżdżać blisko ściany prawą stroną maszyny (rysunek 14), tak jak przedstawiono na rysunku.

**Rysunek 14**

OPRÓŻNIANIE ZBIORNIKA

Opróżnianie zbiornika odzysku wody

Gdy na wyświetlaczu wielofunkcyjnym (47, rysunek 3) pojawi się BŁĄD24 i zapali się wskaźnik zapelnienia zbiornika zwrotnego (48, rysunek 3). Wskazuje to, że zbiornik zwrotny (C, rysunek 15) jest pełny, silnik ssawy nie może dłużej suszyć podłoża. Opróżnić zbiornik zwrotny w następujący sposób:

1. Zatrzymać urządzenie.
2. Podnieść podstawę uchwyty szczotki/pada i zgarniak naciskając przycisk uruchamiania (51, rysunek 3).
3. Dojechać maszyną do ustalonego miejsca opróżniania.
4. Opróżnić zbiornik zwrotny przy użyciu węża (F, rysunek 15). Następnie, wypłukać zbiornik (C, rysunek 15) czystą wodą.



PRZESTROGA!

Podczas spuszczenia ścieków należy trzymać wąż spustowy wysoko i złożyć go nad górną częścią, aby uniknąć rozlania na operatora.

Opróżnianie zbiornika na roztwór / czystą wodę

1. Opróżnić zbiornik roztworu przez pokrywę wylotu (A, rysunek 15). Na koniec pracy przepłukać zbiornik czystą wodą.

PO ZAKOŃCZENIU PRACY

Po zakończeniu pracy, przed pozostawieniem urządzenia:

1. Zdemontować uchwyt szczotki/pada naciskając lewy przycisk zwalniania (56, rysunek 3) i wyczyścić je.
2. Opróżnić zbiorniki (B i C, rysunek 15) zgodnie z opisem w poprzedniego rozdziałach.
3. Wykonać codzienne czynności konserwacyjne (zobacz rozdział „Konserwacja”).
4. Pozostawić maszynę w czystym i suchym miejscu, z podniesionymi lub zdemontowanymi szczotkami/uchwyty poduszek i zgarniakami.
5. Użyć wspornika pokrywy zbiornika zwrotnego, aby utrzymać pokrywę otwartą. Zapobiegnie to gromadzeniu się w środku zapachów.

DŁUGOTERMINOWE PRZECHOWYWANIE MASZINY

Jeśli urządzenie nie będzie eksploatowane przez ponad 30 dni, wykonać co następuje:

1. Wykonać czynności opisane w punkcie „Po zakończeniu pracy”.
2. Rozłączyć złącze akumulatorów.

PIERWSZE UŻYCIE

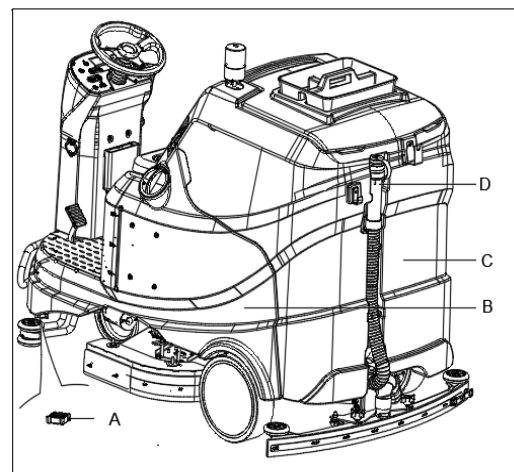
Po 8 godzinach pracy urządzenia sprawdzić szczelność mocowań i połączeń oraz czy nie ma śladów zużycia albo nieszczelności.

KONSERWACJA



OSTRZEŻENIE!

Konserwacje wykonuje się na wyłączonym urządzeniu oraz przy rozłączonym kablu ładowania akumulatorów. Dodatkowo, należy dokładnie przeczytać rozdział o bezpieczeństwie w tej instrukcji.



Rysunek 15

Planowane przeglądy oraz naprawy może prowadzić tylko wykwalifikowany personel albo serwisanci z autoryzowanego punktu serwisowego. W niniejszym podręczniku opisano tylko najłatwiejsze i najczęściej przeprowadzane czynności konserwacyjne.

W przypadku innych procedur konserwacji, które nie są wymienione w poniższej tabeli harmonogramu konserwacji, należy skontaktować się z naszym Działem Wsparcia Technicznego.

HARMONOGRAM PRZEGLĄDÓW

**PRZESTROGA!**

Procedurę oznaczoną (1) należy wykonać po pierwszych 8 godzinach eksploatacji. Procedurę oznaczoną (2) może wykonać tylko punkt serwisowy, autoryzowany przez naszą firmę.

Procedura	Codziennie, po każdym użyciu	Co tydzień	Co pół roku	Co rok
Ładowanie akumulatorów				
Czyszczenie ssawy				
Czyszczenie szczotki/uchwyty pada				
Czyszczenie zbiornika				
Kontrola listwy uszczelniającej zbiornika				
Czyszczenie pojemnika na odpady				
Czyszczenie szczotki/pada				
Czyszczenie osłony przeciwbryzgowej				
Kontrola i wymiana piór ssawy				
Czyszczenie filtra roztworu				
Czyszczenie filtra wlotowego podciśnienia				
Kontrola poziomu płynu w akumulatorach mokrych				
Kontrola dokręcenia śrub i nakrętek			(1)	
Smarowanie części obracających się (jak olej hamulcowy)			(1)	
Sprawdzenie lub wymiana szczotek węglowych silnika szczotki				(2)
Sprawdzenie lub wymiana szczotek węglowych silnika odkurzania				(2)
Kontrola lub wymiana szczotek węglowych silnika napędowego				(2)

INTRODUÇÃO



CUIDADO!

Alguma informação geral e detalhada da máquina não está incluída neste guia.

Consultar o Manual do GUIA DE INICIAÇÃO RÁPIDA fornecido com o CD-ROM para leitura no Adobe® Reader®.



NOTA

Os números em parêntesis referem-se aos componentes mostrados no capítulo da Descrição da Máquina.

FINALIDADE E CONTEÚDOS DO GUIA

O objetivo desta instrução de utilização é de fornecer ao operador todas as informações básicas e características técnicas, operação, inatividade da máquina, peças sobressalentes e condições de segurança etc.

Antes de realizar qualquer procedimento na máquina, os operadores e técnicos qualificados devem ler as Instruções do Manual de Utilização. Contacte a nossa empresa em caso de dúvidas sobre a interpretação das instruções ou para mais informação.

COMO MANTER ESTAS INSTRUÇÕES DE UTILIZAÇÃO

As instruções de utilização e manutenção devem ser guardadas próximo da máquina, dentro do seu estojo, protegidas de líquidos e tudo mais que possa deteriorar o seu estado de legibilidade.

DECLARAÇÃO DE CONFORMIDADE

A Declaração de Conformidade é fornecida juntamente com a máquina e certifica-a sobre o cumprimento das leis.



NOTA

São fornecidas cópias da declaração de conformidade original juntamente com a documentação da máquina.

ACESSÓRIOS E MANUTENÇÃO

Todos os procedimentos de operação, manutenção e reparação devem ser realizados por pessoal qualificado, ou pelo centro de assistência nomeado pela nossa empresa. SÓ devem ser utilizadas peças de substituição e acessórios autorizados.

Contacte no nosso apoio ao cliente para qualquer tipo de assistência ou compra de acessórios ou peças de substituição, se necessário.

ALTERAÇÃO E MELHORAMENTO

Estamos comprometidos com a melhoria contínua dos nossos produtos e a empresa reserva-se o direito de efetuar alterações e melhorias na máquina sem informações adicionais.

ÂMBITO DE APLICAÇÃO

A esfregadeira destina-se ao uso comercial e industrial. É adequada para limpar pavimentos suaves e sólidos, operado por pessoas qualificadas em circunstâncias seguras. Não pode ser utilizada para limpeza no exterior, em tapetes nem em chão relativamente áspero.

DADOS DE IDENTIFICAÇÃO DA MÁQUINA

O número de série da máquina e o nome do modelo situam-se na etiqueta de série.

Esta informação é útil. Utilize a tabela seguinte para apontar os dados de identificação da máquina quando pedir as peças de substituição para a máquina.

MODELO DA MÁQUINA.....
NÚMERO DE SÉRIE DA MÁQUINA.....

TRANSPORTE E DESEMBALAGEM

Quando a transportadora entregar a máquina, certifique-se que a embalagem e a máquina estão completas e sem danos. Se for observado algum dano, informar o transportador do dano antes da aceitação da mercadoria, para reservar o direito de compensação pelo dano. Siga atentamente as instruções da embalagem quando desembalar a máquina.

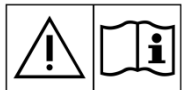
Verifique a embalagem para se assegurar que os itens seguintes estão todos incluídos:

1. Documentação técnica - Instruções de utilização.
2. Componentes de conexão da bateria.
3. Manual do carregador de bateria eletrónica (se instalado) (*)

SEGURANÇA

Os símbolos seguintes indicam potenciais situações perigosas. Leia atentamente esta informação e siga as precauções necessárias para proteger as pessoas e propriedade à sua volta.

SÍMBOLOS VISÍVEIS NA MÁQUINA



ATENÇÃO!

Leia atentamente todas as instruções antes de realizar qualquer operação na máquina.



ATENÇÃO!

Não lave a máquina com jactos de água directos ou pressurizados.



ATENÇÃO!

Não utilize a máquina em rampas com um gradiente que exceda o definido na secção de especificações..

SÍMBOLOS QUE APARECEM NAS INSTRUÇÕES DE UTILIZAÇÃO



PERIGO!

Indica uma situação perigosa com risco de morte para o operador.



ATENÇÃO!

Indica um risco de ferimento potencial para pessoas.



CUIDADO!

Indica cuidados, ou notificação relacionados com funções importantes ou úteis. Preste atenção aos parágrafos marcados por este símbolo.



NOTA

Indica uma notificação relacionada com funções importantes ou úteis.



CONSULTA

Indica a necessidade de consulta do manual de Instruções de Utilização antes de realizar qualquer procedimento.

INSTRUÇÕES DE SEGURANÇA IMPORTANTES

Avisos e cuidados específicos a informar sobre danos potenciais a pessoas e à máquina são exibidos abaixo.



PERIGO!

- Esta máquina deve ser operada por pessoal treinado e autorizado de acordo com as instruções do manual.
- Antes de realizar qualquer procedimento de limpeza, manutenção, reparação ou substituição, leia atentamente todas as instruções, assegure-se que define a máquina para OFF e desliga a bateria do conector.
- Não opere a máquina perto de pós, líquidos ou vapores tóxicos, perigosos, inflamáveis e/ou explosivos. Esta máquina não se adequa para recolha de pós perigosos.
- Não utilize jóias quando trabalhar perto de componentes eléctricos.
- Não trabalhe sob a máquina levantada, sem os suportes de elevação fixos de segurança adequados.
- Quando utilizar baterias de chumbo (WET), estas podem emitir gás inflamável durante a utilização normal. Deve manter faíscas, chamas e materiais para fumar, assim como itens irradiantes, iluminados e em chamas longe das baterias.
- Quando carregar as baterias de chumbo (WET), estas podem emitir gás de hidrogénio que poderá ser explosivo. Assegure-se que o ambiente de carregamento está bem ventilado e longe de chamas.



ATENÇÃO!

- Esta máquina é destinada ao USO COMERCIAL, por exemplo, em hotéis, escolas, hospitais, fábricas, lojas, escritórios e empresas de aluguer.
- As máquinas deixadas sem vigilância devem ser protegidas contra os movimentos não intencionais.
- Para impedir a utilização não autorizada da máquina, a fonte de alimentação deve ser desligada ou bloqueada, por exemplo, através da remoção da chave do interruptor principal ou da chave de ignição.
- Inspeccione atentamente a máquina antes de cada utilização. Assegure-se que todos os componentes estão bem montados antes de utilizar. Os componentes frouxos podem causar danos a pessoas e propriedades.
- Nunca mova a máquina puxando pelo cabo de carregamento da bateria. Não passar o cabo trilhado em portas fechadas, ou enrolar o cabo à volta de beiras e cantos afiados. Não deixe que a máquina passe por cima do cabo do carregador da bateria. Mantenha o cabo do carregador da bateria longe de superfícies quentes.
- Não carregue as baterias caso o cabo ou ficha do carregador estiverem danificados.
- Para reduzir o risco de incêndio, choque eléctrico ou ferimentos, certifique-se que a máquina está desligada antes de sair.
- Utilize ou armazene a máquina no interior em ambientes secos. Não é permitida a utilização no exterior.
- As temperaturas de armazenamento e funcionamento da máquina devem ser entre 0 °C e +40 °C e a humidade do ar deve ser entre 30% e 95%.
- Não utilize a máquina em superfícies cujo gradiente seja superior àquele indicado.
- Quando utilizar ou manusear detergentes de limpeza de chão, siga as instruções nas etiquetas da garrafa dos detergentes e utilize luvas e outros dispositivos de protecção.
- Utilize as escovas e esponjas fornecidas com a máquina ou como definido no manual. A utilização de outras escovas ou esponjas podem reduzir a segurança.
- No caso de se verificarem anomalias no funcionamento da máquina, certifique-se de que não se devem à falta de manutenção periódica. Se necessário, peça assistência a pessoal autorizado ou a um Centro de Assistência autorizado.
- Tome as devidas precauções de modo que cabelos, jóias, partes das roupas soltas não fiquem presas nas partes em movimento da máquina.
- Não utilize a máquina em espaços particularmente poeirentos.

- Não lave a máquina com jactos de água directos ou pressurizados, ou com substâncias corrosivas.
- Não encoste a estantes ou andaimes, principalmente se existir o perigo de queda de objectos.
- Não pose recipientes com líquidos na máquina, utilize a base específica porta-copos e porta-latas.
- Para evitar danos no chão, não deixe a escova/esponja a funcionar enquanto a máquina estiver parada.
- Em caso de incêndio, utilize um extintor de incêndio em pó seco. Não utilize extintores de incêndio líquidos.
- Não retire nem modifique as etiquetas da máquina.
- Não adultere as protecções da máquina e siga atentamente as instruções de manutenção programada atentamente.
- Preste atenção durante o transporte da máquina em condições abaixo da temperatura de congelamento. A água no tanque de recuperação e nas mangueiras pode congelar e causar danos sérios à máquina.
- Se precisar de substituir alguma peça, compre peças de substituição **ORIGINAIS** de Revendedores ou Lojas Autorizadas.
- Devolva a máquina ao Centro de Assistência se não funcionar normalmente ou se estiver danificada.
- Para assegurar a operação adequada e segura, a manutenção programada mostrada no capítulo relevante deste Manual, deve ser realizada por pessoal autorizado ou concessionário ou retalhistas autorizados.
- A máquina deve ser eliminada correctamente uma vez que contém materiais tóxicos e perigosos (baterias, etc.) que estão sujeitos aos padrões que requerem eliminação em centros especiais (consulte o capítulo Demolição).
- Esta máquina é apenas uma ferramenta de limpeza e não se destina a nenhuns outros objetivos.
- Mantenha as aberturas da máquina livres de pó, fios, pelos e qualquer outro corpo estranho que possa reduzir o fluxo de ar. Não utilize a máquina que as aberturas estiverem entupidas.
- Utilize a máquina unicamente em áreas suficientemente iluminadas.
- Esta máquina não deve ser utilizada por crianças ou por pessoas com diminuição das capacidades físicas, sensoriais ou mentais ou com falta de experiência e conhecimentos.
- Preste em particular atenção quando a utilizar com crianças por perto.
- As crianças devem ser monitorizadas, para garantir que não brincam com a máquina.
- Durante a utilização da máquina, preste atenção para garantir a segurança das outras pessoas e dos objectos.
- A limpeza e a manutenção levadas a cabo pelo utilizador não devem ser feitas por crianças sem supervisão.
- Os operadores devem ser instruídos adequadamente sobre a utilização destas máquinas.
- Não use a máquina sem uma estrutura protetora contra objetos que possam cair (FOPS) em áreas onde é provável que o operador seja atingido por tais objetos.

DESCRIÇÃO DA MÁQUINA

ESTRUTURA DA MÁQUINA* - opcional

1. Volante
2. Seat, ajustável (com interruptor de segurança)
3. Luz de advertência
4. Caddy utilitário (*)
5. Tapa do tanque de recuperação
6. Gancho
7. Trava (x2)
8. Tanque de recuperação
9. Tapa do filtro
10. Suporte da mangueira filtro
11. Suporte do filtro
12. Tanque de solução
13. Tubo de nível de água
14. Rodas motrizes (Com travão mecânico)
15. Protetores contra respingos lat.
16. Conjunto de escovas
17. Bomba
18. Rodas de batente
19. Tapa de drenagem do tanque de solução
20. Rodas dianteiras
21. Luzes dianteiras
22. Filtro da solução
23. Para-choques frontal
24. Válvula de corte da solução
25. Pedal do travão mecânico
26. Tapa de armazenamento interna
27. Porta de carregamento USB

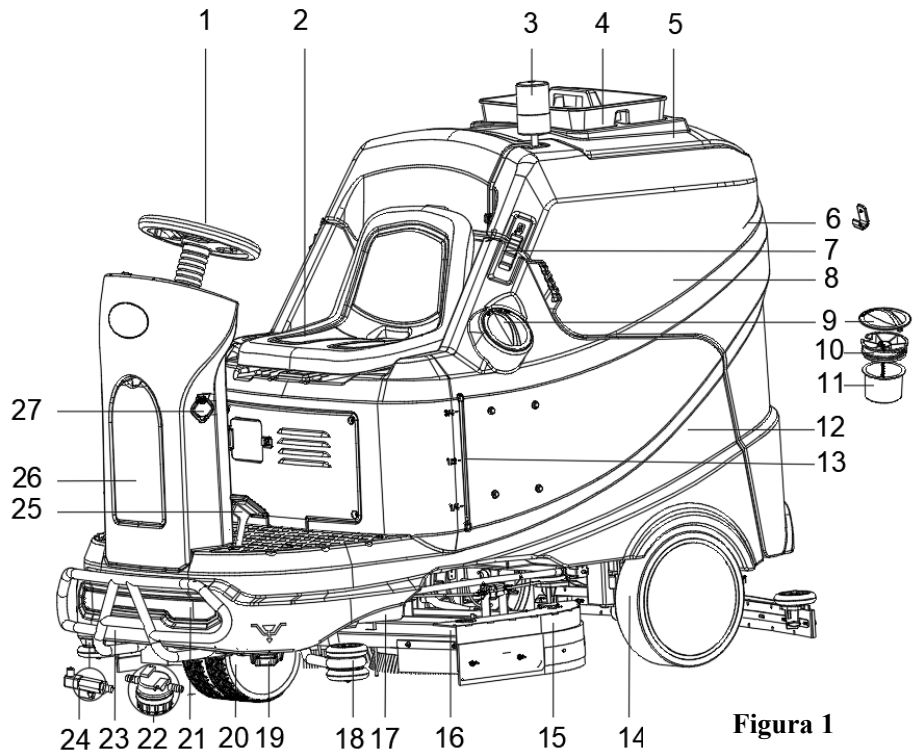


Figura 1

28. Painel de controlo
29. Interruptor de emergência
30. Suporte do copo
31. Cabo de suporte do tanque de recup.
32. Pedal do acelerador
33. Parada de instalação do controlador da escova/almofada
34. Botões do limpador
35. Manipulo para a regulação do ângulo do limpador
36. Tubo de aspiração do limpador
37. Limpador
38. Tubo de descarga da água de recup.
39. Gancho do rodo
40. Caixa de recolha de detritos
41. Filtro de admissão de aspiração
42. Vedação da capa do tanque
43. Baterias (N/A)
44. Bandeja da bateria (*)
45. Sistema de aspiração
46. Sistema de vácuo duplo (*)

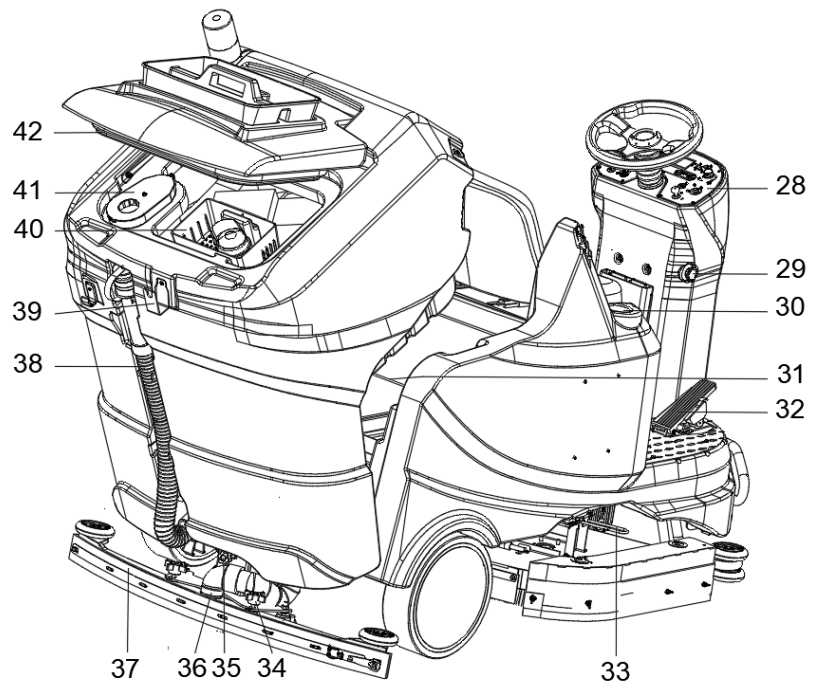
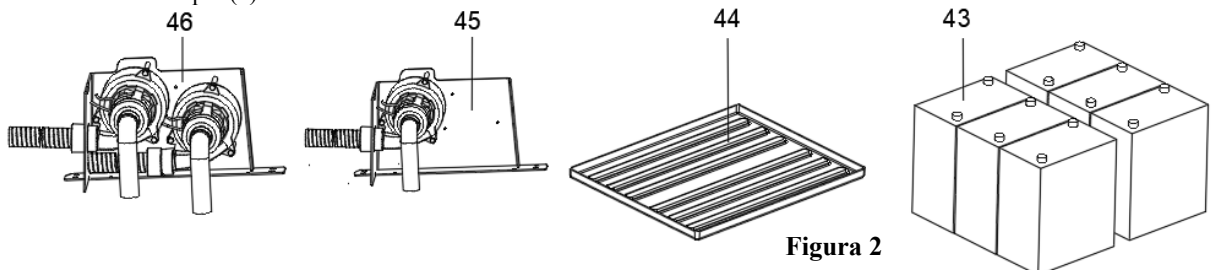


Figura 2

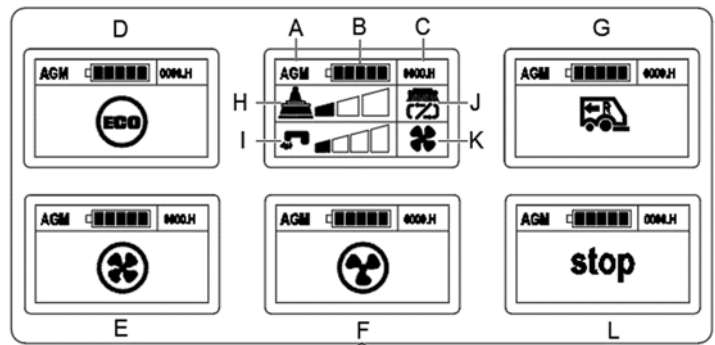


PAINEL DE CONTROLO (como exibido)

47. Visor multifuncional

Itens exibidos:

- A) Tipo de bateria
- B) Nível de carga da bateria
- C) Horas de trabalho
- D) Modo ECO
- E) Modo normal de aspiração
- F) Modo de silêncio de aspiração
- G) Modo reverso
- H) Pressão extra ativa
- I) Quantidade do fluxo da solução detergente
- J) Modo trabalho com escova
- K) Modo de aspiração
- L) Interruptor de segurança do banco desligado



48. Tanque de recuperação cheio/indicador de tanque de solução vazio

49. Manípulo de ajuste da velocidade

50. Botões de ajuste do fluxo de solução

51. Botão de iniciar

- LED no botão acima ligado-função ativada
- sistema de água (nível 2)
- pressão no mínimo (nível 1)
- sistema de aspiração normal

52. Botão de marcha-atrás para frente

53. Chave de ignição (0=LIGADO 1=DESLIGADO)

54. Botão de ajuste do sistema de aspiração (prima o botão 1 segundo para activar)

- LED aceso fixo -modo normal
- LED intermitente - Modo Silencioso

55. Botão de modo ECO

- LED no botão acima ligado-função ativada
- Fluxo de água no mínimo (nível 1)
- pressão no mínimo (nível 1)
- Aspiração no modo silencioso

56. Pincel/pad-holder clique on/off

- LED intermitente - Clique em activado

57. Botões de ajuste da pressão da escova

58. Botão da buzina

59. Botão da luz frontal

60. Capa da ficha de carregamento

61. Protetores de sobrecarga dos motores da escova (30A)

62. Protetor de sobrecarga do elevador da escova (3A)

63. Ficha de carregamento

64. Protetor de sobrecarga do circuito de controlo principal (5A)

65. Protetores de sobrecarga motor(es) de aspiração (30A)

66. Protetor de sobrecarga de elevação Squeegee (3A)

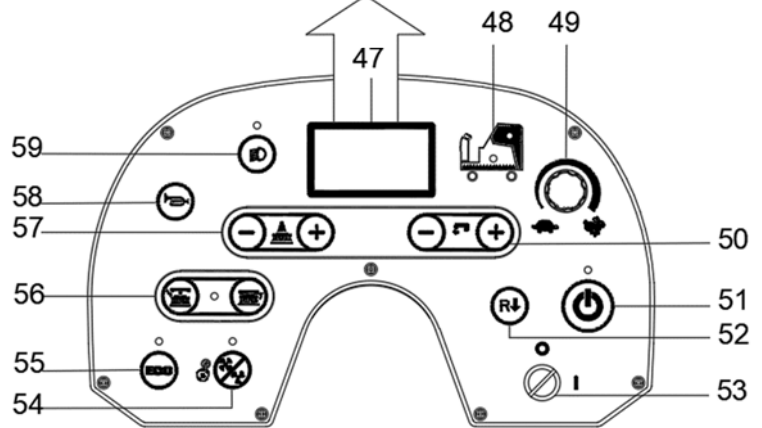


Figura 3

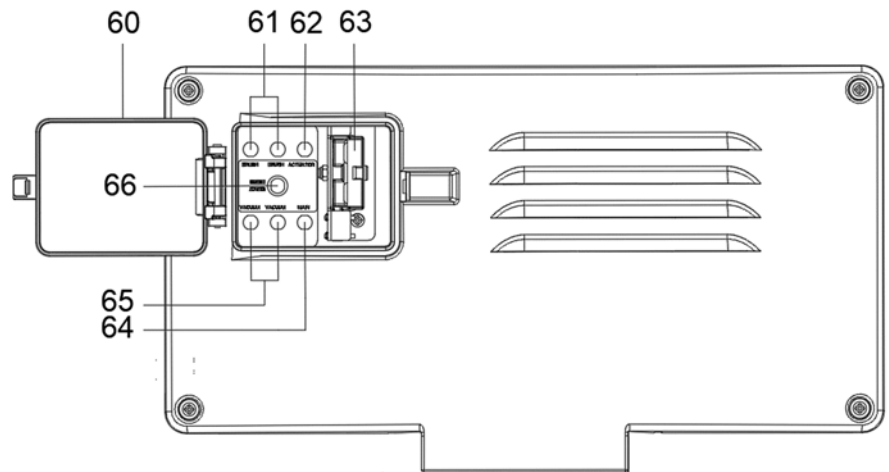


Figura 4

PARÂMETROS TÉCNICOS

Parâmetro de tipo	AS1050R
Voltagem	36 V
Potência nominal (ENTRADA)	125A/4500W
Classe de proteção IP	IP24
Capacidade do reservatório da solução detergente	200L / 53 Gal.
Capacidade do reservatório da água de recuperação	200L / 53 Gal.
Largura de lavagem	980mm / 35,58 Polegadas
Diâmetro da escova/feltro	508 mm x 2 /20 polegadas x 2
Pressão da escova/esponja (máx.)	90 Kg /198 Lbs.
Energia do motor da escova (ENTRADA)	2 X 1000 Watt / 2 X 1.3 HP
Velocidade da escova no modo normal	240 RPM
Velocidade da escova no modo ECO	175 RPM
Fluxo da solução (máx.) por configuração/minuto	(1.6/2.3/3.3/4.6) Litros / 0.42/0.61/0.87/1.22Gal
Nível de pressão sonora (um motor de vácuo)	72 ± 3 dB (A)
Nível de pressão sonora (dois motores de vácuo) (*)	75 ± 3 dB (A)
Nível de pressão sonora no modo ECO ou no modo silencioso	69 ± 3 dB (A)
Energia do motor de aspiração	600 W / 0,8 HP
Carregamento USB	5V 2,4A MÁX.
Produtividade (máx)	7840 m ² /h/84389 pés ² /h
Velocidade de funcionamento	0 - 8 Km / 0 - 5 milhas por hora
Velocidade de avanço	0 - 8 Km / 0 - 5 milhas por hora
Velocidade de marcha-atrás	0 - 5 Km / 0 - 3,1 milhas por hora
Energia do motor de condução (ENTRADA)	1600 W / 2,1 HP
Viragem mín. do corredor	2650mm/104 Polegadas
Capacidade de escalada (máx) de transporte	20%
Capacidade de escalada (máx) de trabalho	16%
Diâmetro da roda motriz	340mm / 13,4 Polegadas
Pressão específica das rodas motrizes no piso	0,68 N/mm ²
Diâmetro da roda frontal	250 mm / 10 Polegadas
Pressão específica das rodas dianteiras no piso	0,62 N/mm ²
Nível da Vibração da alça (máx)	< 2,5 m/s ²
Tamanho do compartimento da bateria sem bandeja (C x L x A)	(680x560x450) mm / 26,7 x 22 x 17,7 polegadas
Tamanho do compartimento da bateria com carregador (C x L x A) (*)	(665x550x430) mm / 26,1 x 21,6 x 16,9 polegadas
Comprimento da máquina sem pára-choques dianteiro	1875mm/73,8 Polegadas
Largura da máquina sem limpador	1077mm/42,4 Polegadas
Altura do equipamento	1350 mm / 53 Polegadas
Altura do equipamento (Com proteção superior)	1955 mm / 77 Polegadas
Peso da máquina com tanques vazios (sem baterias)	398 Kg / 853,6 Lbs.
Peso veículo bruto (GVW)	870 Kg / 1914 Lbs.
Peso veículo bruto (GVW) (Com proteção superior)	897 Kg / 1973 Lbs.
Peso na entrega	490 Kg / 1078 Lbs.
Dimensões da embalagem (C x L x A)	(2110 x 1220 x 1535 mm) / (83x 48 x 60,4 Inches)

(*): Opcional

GUIA DE OPERAÇÃO



ATENÇÃO!

Em alguns pontos da máquina, existem algumas placas adesivas que indicam:

- PERIGO!
- ATENÇÃO!
- CUIDADO!
- CONSULTA

Ao ler este Manual, o operador deve ter atenção aos símbolos mostrados nas placas. Não cubra estas placas de forma alguma e substitua-as se forem danificadas.

VERIFICAÇÃO/DEFINIÇÃO DE BATERIAS NUMA MÁQUINA NOVA



ATENÇÃO!

Os componentes eléctricos da máquina podem ser seriamente danificados caso as baterias estejam instaladas ou ligadas incorrectamente. As baterias devem ser instaladas unicamente por pessoal qualificado. Defina o tipo de bateria com o procedimento abaixo, segundo o tipo de baterias utilizadas (baterias de CHUMBO ou ao GEL/AGM/DIS/ENE). Inspeccione as baterias antes da instalação para verificar que não estejam danificadas. Desligue o conector da bateria e a ficha do carregador. Manuseie as baterias com cuidado. Instale as capas de protecção de terminal das baterias fornecidas com a máquina.



NOTA

A máquina requer seis baterias de 6V, conectadas e instaladas nas posições mostradas na Figura 5.

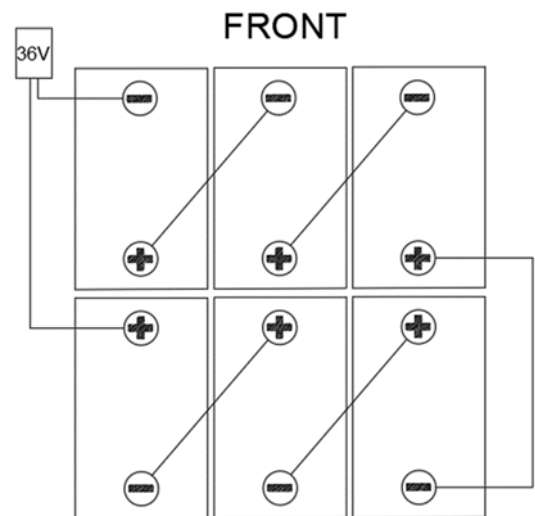


Figura 5

Baterias montadas na máquina e prontas para a utilização

1. Certifique-se de que o conector das baterias está ligado.
2. Ao utilizar a máquina pela primeira vez com baterias novas, executar um ciclo de carregamento completo (consultar o procedimento no capítulo Manutenção).

Sem baterias

1. Compre as baterias adequadas (ver o parágrafo “Características Técnicas”). Para escolha e instalação da bateria, contacte os Revendedores de baterias qualificados.
2. Defina a configuração do tipo de bateria usando o procedimento abaixo.

INSTALAÇÃO DA BATERIA E DEFINIÇÃO DO TIPO DE BATERIA (WET/ GEL/AGM/IDS / ENE)

Instalação da bateria

1. Abra as travas esquerda e direita (7, Figura 1).
2. Abra a tampa do tanque de recuperação (5, Figura 1) e verifique se o tanque de recuperação (8) está vazio; se não estiver, esvazie-o com a mangueira de drenagem (38, Figura 2).
3. Fechar a tampa do tanque de recuperação (5, Figura 1).
4. Levantar o tanque de recuperação (8, Figura 1).
5. Desconecte o cabo do tanque de recuperação e remova todo o conjunto do tanque de recuperação.
6. Remova um parafuso do cabo de giro do tanque de recuperação (31, Figura 2) e volte.
7. Remova os quatro parafusos do tanque de recuperação na parte inferior.
A máquina é fornecida com cabos adequados para instalar 6 baterias de 6V. Coloque cuidadosamente as baterias no compartimento e instale-as corretamente como mostrado na Figura 5. Colocar a placa fixa da bateria corretamente.
8. Encaminhe e instale o cabo da bateria como mostrado na Figura 5, e aperte a porca em cada terminal da bateria.

9. Coloque a capa de proteção em cada terminal e ligue o conector da bateria à máquina
10. Monte todo o conjunto do tanque de recuperação na ordem inversa em relação à desmontagem.
11. Baixe cuidadosamente o tanque de recuperação.

Configuração do tipo de bateria (MOLHADO/GEL/AGM/DIS/ENE)

Acesso para a seleção do modo de bateria

De acordo com o tipo de bateria (WET/GEL/AGM/DIS/ENE), configurar a máquina da seguinte maneira:

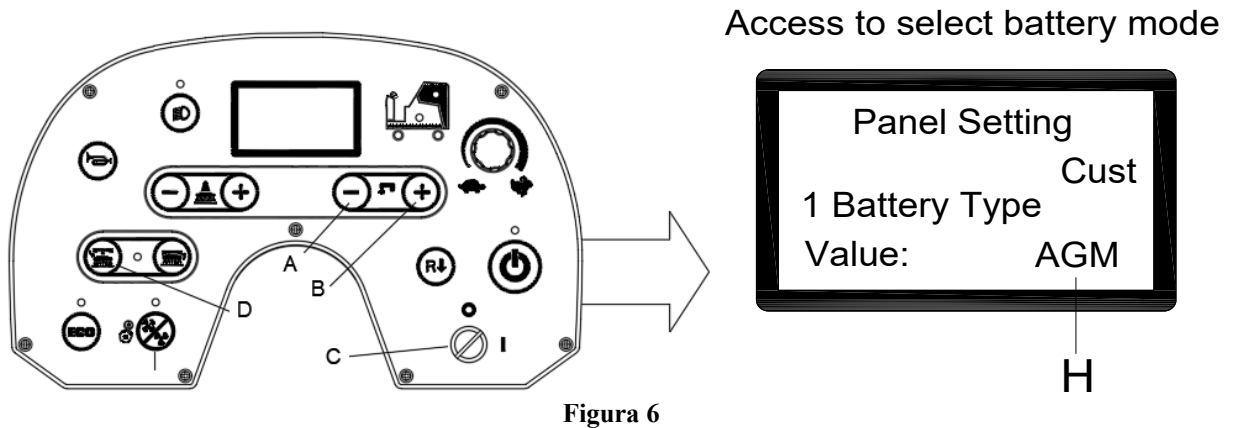


Figura 6

1. Pressione o botão de fluxo de água "-" (A, Figura 6) e "+" (B, Figura 6) ao mesmo tempo.
2. Introduza a chave de ignição (C, Figura 6) e posicione-a em "I".
3. Alguns segundos depois, entrar no ecrã de seleção do modo de bateria (Figura 6).
4. Pressione os botões de fluxo de água "-" (A, Figura 6) e "+" (B, Figura 6) para selecionar o modo de bateria (H, Figura 6).
5. Pressione o botão de libertação (D, Figura 6), 3 segundos depois é visualizado "Atualização OK" que significa que a configuração foi bem-sucedida; reiniciar a máquina. (C, Figura 6).

Carregamento da bateria

Carregar totalmente as baterias (ver o procedimento no capítulo da Manutenção).

Descarga da bateria

Quando o indicador das baterias está cheio (G, Figura 7), as baterias estão totalmente carregadas. Quando o padrão das baterias está baixo (H, Figura 7), as pilhas devem ser carregadas. Alguns segundos depois do indicador da bateria fraca ser exibido, os motores de escovas são desligados automaticamente enquanto o sistema de acionamento permanece ligado. Coloque imediatamente a máquina na área designada para o carregamento das baterias.



Figura 7

REMOÇÃO E INSTALAÇÃO DO SUPORTE DE ESCOVA/ESPONJA



NOTA

Instale o suporte da escova (A, Figura 8) ou esponja (B e C, Figura 8) de acordo com o tipo de chão a ser limpo.



CUIDADO!

Antes de instalar ou remoção do suporte da esponja ou escova, certificar-se que todos os interruptores da máquina estão na posição off e o limpador levantado do chão. O operador deve estar equipado com dispositivos de protecção pessoal adequados, como luvas, para reduzir o risco de acidentes.

Proceda como o descrito abaixo:

INSTALAÇÃO:

1. introduza a chave de ignição (53, Figura 3) e posicione-a em “I”. Levantar o convés.
2. Posicione as escovas (A, Figura 8) ou porta-escovas (B, Figura 8) debaixo do convés. Utilize o batente de instalação da escova (D, Figura 8) para ajudar a encontrar a posição correta do suporte da escova/almofada.
3. Intale o suporte da esponja/escova pressionando o botão de pressão do suporte da esponja/escova (F, Figura 8), o suporte da esponja/escova irá ser automaticamente instalado. A direção de rotação é mostrada (Figura 8). A luz indicadora LED piscará.

REMOÇÃO:

1. Introduza a chave de ignição (53, Figura 3) e posicione-a em “I”. Certifique-se de que a escova/suporte de almofada esteja na posição elevada (PARA CIMA). Remova o suporte da esponja/escova pressionando o botão de libertação do suporte da esponja/escova (E, Figura 8), o suporte da esponja/escova irá ser automaticamente removida. A luz indicadora LED irá ficar firme.

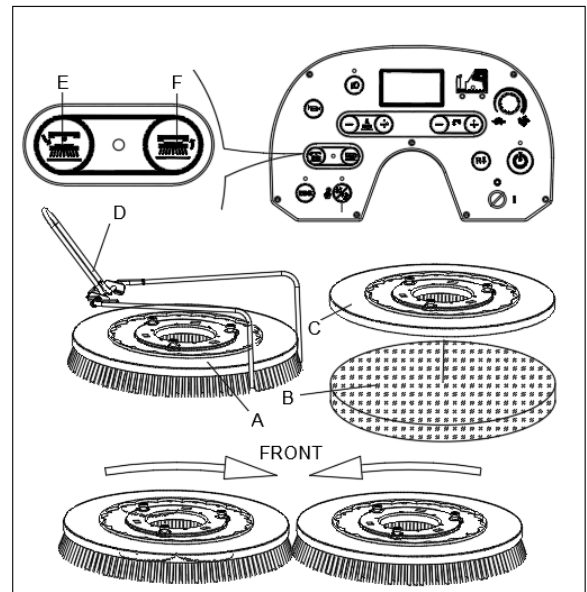


Figura 8

Se pressionar o botão de clique de ativação e desativação da escova, deve desligar a chave de ignição e, em seguida, ligá-la; a máquina pode funcionar novamente.

AJUSTE DO EQUILÍBRIO DOS ESPALHADORES LATERAIS

A altura do protetor de salpicos precisa de ser monitorizada e ajustada. Durante a limpeza com a máquina, verifique o desempenho dos respingos laterais.

- A. Se os respingos forem muito altos, o espaço entre o respingo (D) e o chão deixará água no chão durante as curvas.
- B. Se os respingos estiverem muito baixos, o respingo de proteção (D) desviará muito, deixando água durante as voltas e reduzindo a vida útil do respingo de proteção.
- C. O ajuste adequado é quando os respingos tocam levemente o chão da frente para a parte traseira do respingo.

Procedimento de ajustamento da seguinte forma:

1. Certifique-se de que a plataforma esteja na posição elevada (PARA CIMA).
2. Desaperte as porcas de retenção superiores (A) e remova o conjunto do protetor de respingos.
3. Ajuste as porcas de retenção inferiores (B) para cima/para baixo.
4. Reinstale o conjunto do respingo e verifique o ajuste.
5. Repetir 3. & 4. conforme necessário até que o ajuste do respingo esteja correto.
6. Aperte as porcas de retenção de topo (A) para garantir o ajuste.
7. Repita o procedimento no outro lado do protetor contra respingos.

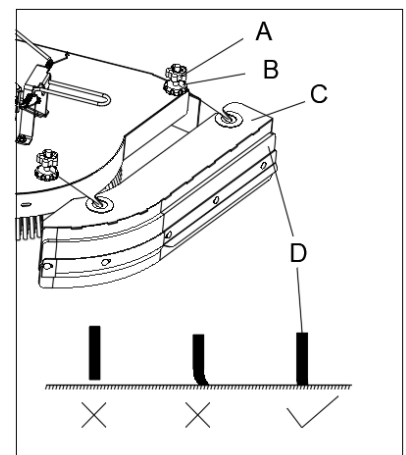


Figura 9

AJUSTE DO EQUILÍBRIO DO LIMPADOR

1. Instalar o limpador e aperte as porcas (C, Figura 10), e ligue a mangueira de aspiração (B) ao limpador.
2. Ajuste o limpador através do manopla de ajuste do limpador (A).
 - a) Se existir um espaço entre o chão e a secção do meio da lâmina do limpador traseiro (E), ajuste o botão (A) no sentido horário (H) até todas as secções da lâmina do limpador traseiro estarem em contacto com o chão e a lâmina frontal tocar ligeiramente no chão.
 - b) Se existir um espaço entre o chão e as secções do fim da lâmina traseira (D e F), ajuste o botão (A) no sentido anti-horário (G) até todas as secções da lâmina do limpador traseira estarem em contacto com o chão e a lâmina frontal tocar ligeiramente no chão.

Se necessário, ajuste toda a altura do rodízio ajustando a altura da roda de rodízio (K).

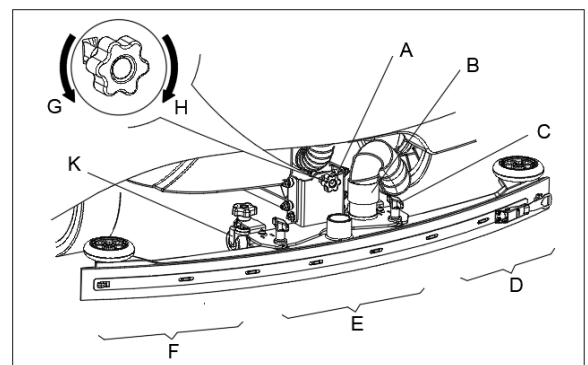


Figura 10

ENCHA O TANQUE DE SOLUÇÃO

1. Abra a tampa de entrada de água (A, Figura 11).
2. Encha com água ou solução adequada através da entrada de água com filtro. A temperatura da solução não pode exceder +104F (+40°C).
3. Não encha o tanque em demasia; consulte o volume de água no indicador do nível de água (D).



ATENÇÃO!

Unicamente utilize detergentes não inflamáveis, que façam pouca espuma e que sejam adequados para aplicações em escovas automáticas.

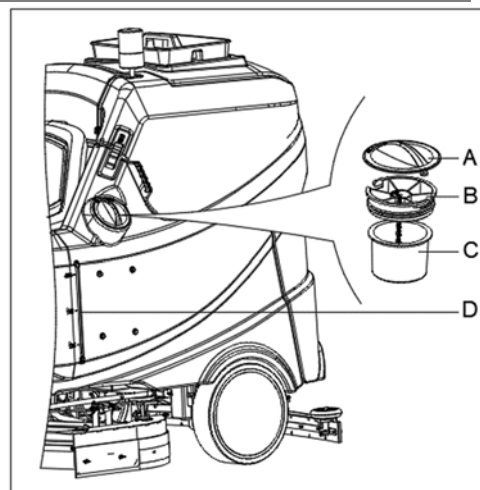


Figura 11

INSPEÇÃO DO MOTOR DE ACCIONAMENTO E DO TRAVÃO MECÂNICO

1. Rode a chave de ignição (A, Figura 12) para "I", sente-se no banco (C).
2. Solte ligeiramente o pedal de aceleração (D) e solte-o para verificar se a máquina pode ser conduzida para a frente e parada.
3. Para assegurar a segurança, confirme se a máquina pode ser parada imediatamente ao pressionar o botão de emergência (B). Rode o botão de emergência para reiniciar.
4. Pressione o pedal do travão mecânico (F) rapidamente para verificar se a máquina pode ser parada imediatamente.



ATENÇÃO!

A capacidade de escalada de trabalho não deve exceder 16%. Ao trabalhar em talude, deve manter as travas do tanque (7 Figura 1) engatadas. Por segurança, nunca o pare em declive.

Ao subir uma rampa com inclinação máxima de 20%, ajuste com antecedência o potenciômetro limitador de velocidade para a posição de velocidade máxima. Pressione o pedal do acelerador ao máximo enquanto sobe a rampa.

Se esfregar numa rampa com inclinação máxima de 16%, ajuste com antecedência o potenciômetro limitador de velocidade para a posição de velocidade máxima. Se no visor estiver escrito "Error 4, Tra Overload", ajuste a pressão da escova para a configuração mais baixa.

Se achar que a velocidade da máquina está a ficar mais lenta e próxima do estado de paragem no processo de subida de uma rampa e aparecer "Error 4, Tra Overload" no visor, solte o pedal do acelerador imediatamente e pise no travão mecânico.

Se o for exibido o "Error 4, Tra Overload" no processo de subida de uma rampa, pare imediatamente e pise no travão mecânico, desligue o interruptor de chave e, em seguida, ligue a chave para reiniciar e desistir da operação de subida. Ajuste o potenciômetro limitador de velocidade para uma posição de velocidade lenta e, em seguida, pressione o botão de recuar, solte o travão mecânico, pise suavemente no acelerador para que a máquina possa mover-se lentamente para trás até atingir uma inclinação mais baixa.

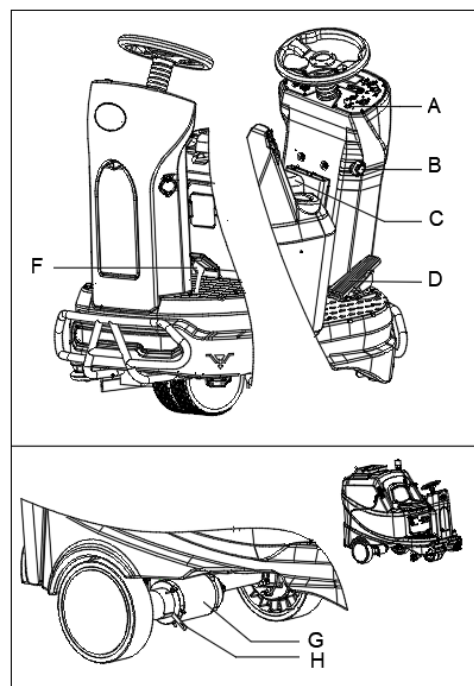


Figura 12



CUIDADO

O travão do motor de ignição é desengatado quando o motor funcionar normalmente. Só bloqueia quando o motor estiver desligado. Em alguns casos especiais, como empacotamento/desempacotamento da máquina, falha da máquina, etc., a máquina pode precisar ser empurrada. No motor de accionamento (Figura G 12) empurre para baixo a alça do freio (Figura H 12), o freio da máquina é liberado e a máquina pode ser movida. Após a conclusão, empurre a alça para trás, para que a máquina possa funcionar.

INICIAR E PARAR A MÁQUINA

Ligar a máquina

1. Prepare a máquina como previsto no parágrafo anterior.
2. Sente-se no assento (K, Figura 13), insira a chave de ignição (J, Figura 13) e gire-a para "I". Controlar o estado das baterias no ecrã de exibição. Se necessário, coloque as baterias a carregar (ver procedimento no capítulo Manutenção).
3. Conduzir a máquina na área de trabalho.

A direção para frente/para trás pode ser controlada com o interruptor (H, Figura 13). A velocidade pode ser regulada com o regulador (E, Figura 13).

4. Pressione o botão One-Start (G, Figura 13) para ligar a máquina, o rodo e as escovas são baixados para o chão automaticamente e o motor de vácuo começa a funcionar.
5. Coloque os botões de regulação do fluxo (F, Figura 13) da solução detergente na posição considerada mais adequada, conforme o tipo de lavagem a ser executada.
6. Prima o pedal do acelerador (Q, Figura 13) e comece a limpar.
7. Pode carregar o seu telefone ou pad através da porta de carregamento USB (M, Figura 13) quando a chave de ignição (J, Figura 13) estiver girada em "I".
8. Pressione o botão de sirene (B, Figura 13) para avisar as pessoas quando necessário.
9. Se necessário, pressione o botão de emergência (N, Figura 13) para a paragem de emergência da máquina.
10. Se necessário, prima o botão das luzes dianteiras (C, Figura 13) para áreas escuras ou para avisar os peões.
11. Se necessário, ajustar o banco (K, Figura 13) rodando a pega para a direita à direita do banco e, em seguida, deslizar o banco para a posição correcta.



NOTA

O motor da escova, o motor de vácuo, o motor de accionamento e o circuito de controlo estão protegidos por um protector de sobrecarga (P, Figura 13). Quando um protector de sobrecarga disparar, não o reinicie imediatamente sem descobrir a causa raiz e certifique-se de que o motor arrefeceu antes de reiniciar.

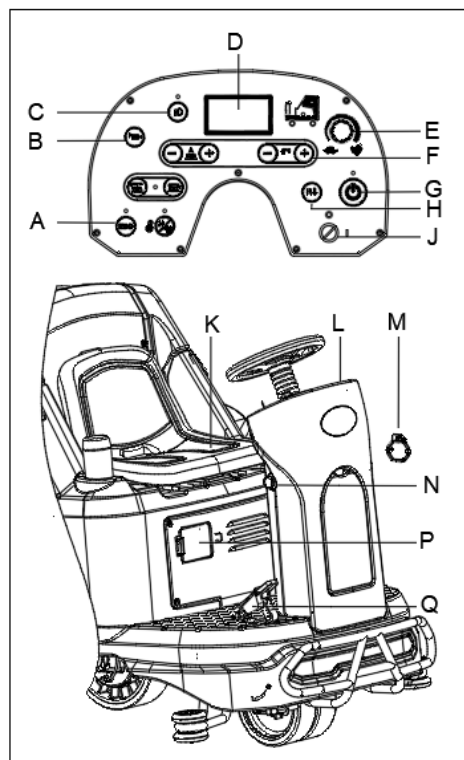


Figura 13

Parar a máquina

12. Solte o pedal do acelerador (Q, Figura 13), a máquina para de funcionar.
13. Pressione o botão One-Start (G, Figura 13) para parar as escovas e o motor de vácuo. As escovas e rodo são levantados do piso automaticamente. O sistema de aspiração irá desligar-se após alguns segundos.
14. Coloque a chave de ignição em "0".
15. Verifique que a máquina não pode mover-se sozinha.

OPERAÇÃO DA MÁQUINA (ESFREGAR E SECAR)

1. Inicie a máquina de acordo com os procedimentos dos parágrafos anteriores.
2. Comece a limpeza seguindo os procedimentos na secção Iniciar a máquina.
3. Se necessário, pare a máquina para ajustar os protetores laterais contra respingos de acordo com a secção "Ajustar o equilíbrio dos protetores laterais contra respingos".
4. Se necessário, pare a máquina para ajustar o squeegee de acordo com a secção "Ajustar o equilíbrio do squeegee".



NOTA

Para uma lavagem/secagem corretas dos pisos nas laterais das paredes. Sugere-se aproximar-se das paredes com o lado direito da máquina (Figura 14), como mostrado na figura.

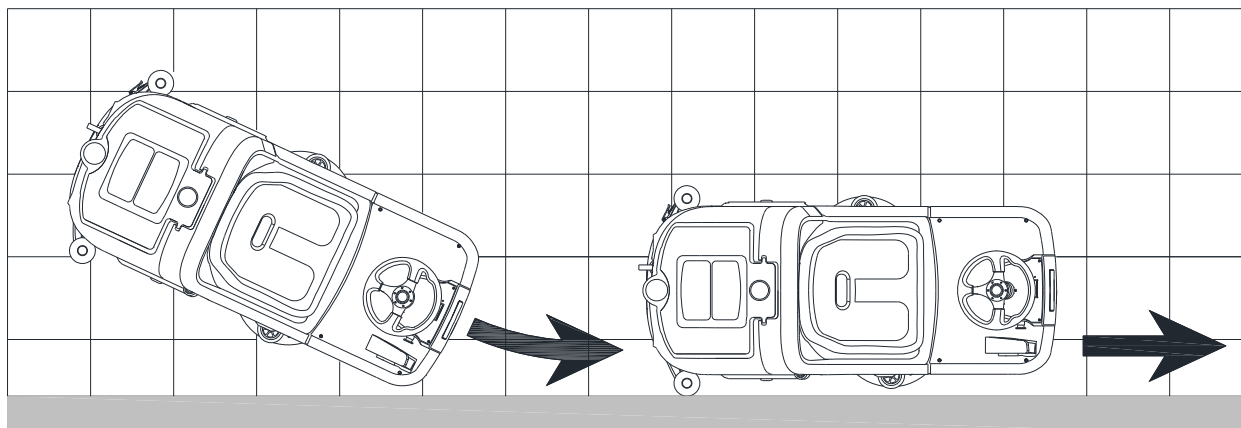


Figura 14

ESVAZIAMENTO DO TANQUE

Esvaziar o tanque de água de recuperação

Quando o visor multifunções (47, Figura 3) mostra ERROR24 e o indicador de tanque de recuperação cheio (48, Figura 3) é ligado. Indica que o tanque de recuperação (C, Figura 15) está cheio, o motor a vácuo não pode mais secar o piso. Esvazie o tanque de recuperação conforme as seguintes etapas:

1. Parar a máquina.
2. Levante a cabeça do porta-escovas/porta-feltro e o limpador premindo o botão de iniciar (51, Figura 3).
3. Conduza para a área de eliminação recomendada.
4. Esvazie o reservatório da água de recuperação com a mangueira (D, Figura 15). De seguida, limpe o tanque (C, Figura 15) com água limpa.



CUIDADO!

Ao drenar as águas residuais, mantenha a mangueira de drenagem alta e dobre sobre a seção superior para evitar derramar sobre o operador.

Esvaziar o tanque de solução/água limpa

1. Esvazie o tanque de solução através da saída (A, Figura 15). Quando terminar, limpe o tanque com água limpa.

DEPOIS DE UTILIZAR A MÁQUINA

Antes de guardar a máquina quando terminar de operar:

1. Remover os suportes das escovas/esponjas pressionando o esquerda botão de libertação esquerdo (56, Figura 3) e limpá-los.
2. Esvaziar os tanques (B e C, Figura 15) como mostrado no parágrafo anterior.
3. Realize os procedimentos de manutenção (consulte capítulo de Manutenção).
4. Armazene a máquina num local limpo e seco, com os suportes de escovas/esponjas e limpador levantados ou desmontados.
5. Utilize o suporte da tampa do depósito de recuperação para manter a tampa aberta. Isto ajudará a evitar que os odores se acumulem no interior.

ARMAZENAMENTO DA MÁQUINA DURANTE LONGA INATIVIDADE

Se a máquina não for ser utilizada durante mais de 30 dias, realize o seguinte:

1. Realize os procedimentos mostrados no parágrafo Após Utilizar a Máquina.
2. Desligue o conector de baterias.

PRIMEIRO PERÍODO DE UTILIZAÇÃO

Após as primeiras 8 horas, verifique se as peças de ligação estão bem apertadas e procure por desgaste e vazamento nas peças visíveis.

MANUTENÇÃO



ATENÇÃO!

Os procedimentos de manutenção devem ser realizados com a máquina desligada e o cabo de carregamento desligado. Em adição, leia atentamente os capítulos de segurança destas instruções.

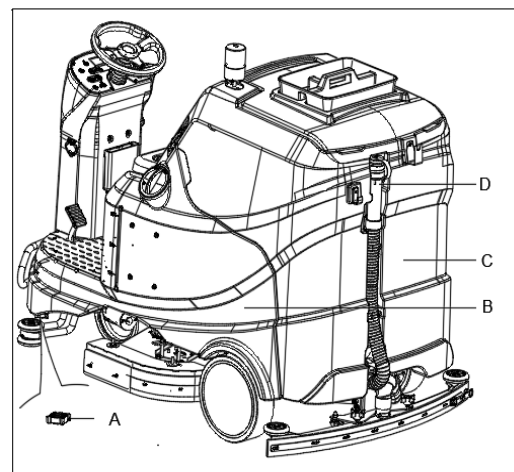


Figura 15

Todos os procedimentos de manutenção programados ou extraordinários devem ser realizados por técnicos profissionais ou um Centro de Assistência autorizado. Este manual só descreve os procedimentos de manutenção mais comuns e gerais.

Para outros procedimentos de manutenção que não estejam na tabela abaixo do cronograma de manutenção, entre em contato com o nosso Departamento de Suporte Técnico.

TABELA DE MANUTENÇÃO PROGRAMADA



CUIDADO!

O procedimento marcado com (1) deve ser realizado quando a máquina é utilizada após 8 horas pela primeira vez. O procedimento marcado com (2) deve ser realizado por um Centro de Assistência qualificado pela nossa empresa.

Procedimento	Diariamente, após cada utilização	Semanalmente	Semi anualmente	Anualmente
Carregamento da bateria				
Limpeza do limpador				
Limpeza do suporte da esponja/escova				
Limpeza do tanque				
Inspecção da fita da gaxeta do tanque				
Limpeza da caixa de recolha de detritos				
Limpeza da escova/esponja				
Limpeza do guarda lamas				
Verificação e substituição da lâmina do limpador				
Limpeza do filtro da solução detergente				
Limpeza do filtro de admissão de aspiração				
Inspecção do nível de fluído da bateria WET				
Inspecção do aperto dos parafusos e porcas			(1)	
Adicionar óleo de lubrificação nas peças rotativas (como óleo de travagem)			(1)	
Verificação ou substituição de escova de carbono de motor da escova				(2)
Verificação ou substituição de escova de carbono de motor de aspiração				(2)
Controlo ou substituição dos carvões do motor do sistema de tracção				(2)

INTRODUCERE**ATENȚIE!**

Anumite date generale și informații despre mașină nu sunt incluse în acest ghid.

Vă rugăm consultați manualul GHID PENTRU PORNIRE RAPIDĂ, furnizat pe un CD-ROM care se citește cu Adobe® Reader®.

**NOTĂ**

Numerele din paranteze se referă la componentele arătate la capitolul Descrierea mașinii.

CONȚINUTUL ȘI SCOPUL GHIDULUI

Scopul acestor instrucțiuni de utilizare este să furnizeze operatorului toate informațiile esențiale și caracteristicile tehnice privind modul de operare, starea de inactivitate a mașinii, piesele de schimb, condițiile de siguranță etc.

Înainte de a executa o procedură la mașină, operatorii și tehnicienii calificați trebuie să citească Manualul cu instrucțiunile de utilizare. Contactați compania noastră în cazul în care aveți nelămuriri cu privire la interpretarea instrucțiunilor sau pentru orice alte informații.

CUM SE PĂSTREAZĂ ACESTE INSTRUCȚIUNI DE UTILIZARE

Instrucțiunile de utilizare trebuie păstrate în vecinătatea mașinii, într-o casetă corespunzătoare, ferite de lichide sau de alte substanțe ce pot cauza deteriorarea lor.

DECLARAȚIE DE CONFORMITATE

Declarația de conformitate se furnizează odată cu mașina și certifică faptul că mașina e conformă cu legislația în vigoare.

**NOTĂ**

Împreună cu documentația mașinii se dau copii ale declarației de conformitate originale.

ACCESORII ȘI ÎNTREȚINERE

Toate procedurile de operare, întreținere și reparație trebuie executate de personal calificat sau de compania noastră la centrul service desemnat. Se vor utiliza NUMAI piese de schimb autorizate.

Contactați centrul de service clienți al companiei noastre pentru orice operație de service sau pentru achiziționarea de accesorii sau piese de schimb, dacă este necesar.

SCHIMBARE ȘI ÎMBUNĂTĂȚIRE

Noi suntem angajați într-un proces continuu de îmbunătățire a produselor noastre și ne rezervăm dreptul de a schimba și îmbunătăți mașina fără informare suplimentară.

SCOPUL APLICAȚIEI

Mașina de rașchetare are aplicații în domeniul industrial și comercial. Este potrivită pentru curățenia suprafețelor lustruite și a pardoselilor solide, fiind utilizată de o persoană calificată, în condiții de siguranță. Nu este potrivită pentru utilizarea în spații exterioare și nici pentru curățenia covoarelor sau a pardoselilor rugoase.

DATE DE IDENTIFICARE A MAȘINII

Denumirea modelului și numărul de serie al mașinii sunt marcate pe eticheta de serie.

Aceste informații sunt utile. Utilizați următorul tabel pentru a nota datele de identificare a mașinii atunci când se face cerere de ofertă pentru piese de schimb pentru mașină.

MODEL MAȘINĂ.....
NUMĂR DE SERIE MAȘINĂ.....

TRANSPORT ȘI DESPACHETARE

Când transportatorul a adus mașina, asigurați-vă că atât ambalajul cât și mașina sunt nedeteriorate și întregi. Dacă se observă daune, informați transportatorul cu privire la acestea înainte de a accepta mărfurile, pentru a vă rezerva dreptul de compensare a daunelor.

Urmați instrucțiunile de despachetare cu strictețe atunci când despachetați mașina.

Verificați ambalajul pentru a vă asigura că există următoarele:

1. Documentație tehnică - Instrucțiuni de utilizare.
2. Componente de conectare a bateriei.
3. Manualul încărcătorului de baterie electronic (dacă este instalat) (*)

NORME DE PROTECȚIE

Următoarele simboluri indică situații potențial periculoase. Citiți întotdeauna aceste informații cu atenție și luați toate măsurile de prevenire pentru protecția personalului și a proprietății.

SIMBOLURI VIZIBILE PE MAȘINĂ**AVERTIZARE!**

Citiți cu atenție toate instrucțiunile înainte de a executa o operațiune cu mașina.

**AVERTIZARE!**

Nu spălați mașina sub jet direct de apă sau cu apă sub presiune.

**AVERTIZARE!**

Nu utilizați mașina pe suprafețe în pantă cu unghi mai mare decât cel prevăzut în secțiunea de specificații.

SIMBOLURI CARE APAR ÎN INSTRUCȚIUNILE DE UTILIZARE**PERICOL!**

Indică o situație periculoasă cu risc de moarte pentru operator.

**AVERTIZARE!**

Indică un potențial risc de rănire a persoanelor.

**ATENȚIE!**

Indică o atenționare sau observație cu privire la funcții importante sau de ajutor. Dați atenție deosebită paragrafelor marcate cu acest simbol.

**NOTĂ**

Indică o observație cu privire la funcții importante sau de ajutor.

**CONSULTARE**

Indică necesitatea de a consulta Instrucțiunile de utilizare înainte de executarea unei proceduri.

INSTRUCȚIUNI GENERALE DE PROTECȚIE

Atenționările specifice pentru a se aduce la cunoștință riscul de defectare a mașinii sau de rănire a persoanelor.



PERICOL!

- Această mașină trebuie operată de personal autorizat și instruit în conformitate cu instrucțiunile din manual.
- Înainte de a executa o operație de curățenie, întreținere, reparație sau înlocuire, citiți toate instrucțiunile cu atenție; asigurați-vă că ați oprit mașina și că ați deconectat bateria.
- Nu operați mașina în apropierea lichidelor, prafurilor sau vaporilor toxici, periculoși, inflamabili sau explozivi. Această mașină nu este potrivită pentru strângerea pudrelor periculoase.
- Nu purtați bijuterii când lucrați în vecinătatea componentelor electrice.
- Nu lucrați sub mașinile ridicate fără ca acestea să fie sprijinite pe standuri de protecție.
- Dacă folosiți baterii cu plumb (WET), acestea pot emite gaze inflamabile în condiții normale de lucru și trebuie ferite de scântei, flăcări deschise, materiale fumigene, iradiante, iluminante și arzătoare.
- La încărcarea bateriilor cu plumb (WET) acestea pot emite gaz de hidrogen ceea ce poate cauza explozie. Trebuie să se asigure faptul că mediul de încărcare este bine ventilat și ferit de flăcări.



AVERTIZARE!

- Această mașină este concepută pentru UZ COMERCIAL, de exemplu, în hoteluri, școli, spitale, fabrici, magazine, birouri și agenți comerciali din domeniul închirierilor.
- Mașinile lăsate nesupravegheate trebuie să fie blocate împotriva mișcării neintenționate.
- Pentru a preveni utilizarea neautorizată a mașinii, sursa de alimentare trebuie să fie oprită sau blocată, de exemplu, prin scoaterea cheii întrerupătorului principal sau a cheii de contact.
- Verificați cu atenție mașina înainte de fiecare utilizare. Asigurați-vă că toate componentele au fost bine asamblate înainte de utilizare. Componentele slăbite pot cauza avarierea mașinii și rănirea persoanelor.
- Nu deplasați niciodată mașina trăgând de cablul încărcătorului bateriei. Nu treceți cablul printr-o ușă închisă și nu îl înfășurați în jurul unor margini sau colțuri ascuțite. Nu treceți cu mașina peste cablul de încărcare al bateriei. Feriți cablul încărcătorului de suprafețe încălzite.
- Nu încărcați bateriile dacă ștecherul sau cablul încărcătorului sunt defecte.
- Pentru reducerea riscului de incendiu, de electrocutare sau rănire, asigurați-vă că mașina este oprită înainte de plecare.
- Utilizați și depozitați mașina în spații închise, pe suprafețe uscate; este interzisă utilizarea ei în exterior.
- Temperatura de lucru și de depozitare a mașinii trebuie să fie între 0 °C și +40 °C, umiditatea aerului trebuie să fie de 30 %-95 %.
- Nu utilizați mașina pe suprafețe în pantă cu unghi mai mare decât în specificațiile date.
- Când utilizați și manipulați detergenți pentru curățare, urmați instrucțiunile de pe etichetele ambalajelor de detergent și purtați mănuși corespunzătoare și alte echipamente de protecție.
- Utilizați periile și materialele textile furnizate cu mașina sau de tipul prevăzut în manual. Utilizarea altor tipuri de perie sau materiale textile pot duce la diminuarea protecției.
- În caz de funcționare defectuoasă a mașinii, asigurați-vă că aceasta nu se datorează întreținerii necorespunzătoare. Dacă este necesar, solicitați asistență din partea personalului autorizat sau de la un centru service autorizat.
- Luați toate măsurile de precauție pentru a preveni prinderea părului, a bijuteriilor și a hainelor largi în piesele în mișcare ale mașinii.
- Nu utilizați mașina în zone cu foarte mult praf.

- Nu spălați mașina cu jet direct de apă sau cu apă sub presiune și nici cu substanțe corozive.
- Nu tamponați mașina de rafturi sau de schele, mai ales dacă există riscul de cădere a diferitelor obiecte.
- Nu puneți pe mașină recipiente cu lichid, utilizați suportul dedicat pentru acestea.
- Pentru evitarea degradării podelei, nu lăsați peria în funcționare în timp ce mașina staționează.
- În caz de incendiu, utilizați un extingtor cu praf. A nu se utiliza extincitoare cu lichid.
- A nu se îndepărta sau modifica etichetele de pe mașină.
- Mențineți în permanență elementele de protecție ale mașinii în bună stare de funcționare și respectați instrucțiunile de mentenanță programată cu scrupulozitate.
- Transportul mașinii când temperaturile sunt sub punctul de îngheț se va face cu atenție. Apa din rezervorul de recuperare și din furtunuri poate îngheța și cauza defecțiuni grave ale mașinii.
- Dacă trebuie înlocuite piesele de schimb, comandați piese de schimb ORIGINALE de la reprezentanți comerciali autorizați.
- Returnați mașina la centrul de service dacă aceasta nu funcționează în mod normal sau este în stare de avarie.
- Pentru a vă asigura de funcționarea în condiții adecvate și de siguranță a mașinii, operațiunile de întreținere programată indicate în capitolul relevant ale acestui manual trebuie să se execute de către personal autorizat sau de un centru service.
- Mașina se va dezafecta în mod corespunzător, deoarece conține substanțe dăunătoare (baterii, etc.), care se supun prevederilor standardelor ce impun dezafectarea în centre speciale (vedeți capitolul Dezafectare).
- Această mașină este doar un instrument de curățare și nu este destinată altor scopuri.
- A se menține întotdeauna orificiile neînfundate cu păr, praf sau alte corpuri străine, care ar putea reduce debitul de aer. A nu se utiliza mașina dacă orificiile ei sunt înfundate.
- A se utiliza mașina numai în locuri iluminate în mod corespunzător.
- Această mașină nu este concepută pentru utilizarea de către persoane (inclusiv copii) cu capacități fizice, senzoriale sau mentale reduse sau cu lipsă de experiență și cunoștințe.
- Este necesară atenție deosebită în cazul utilizării în preajma copiilor.
- Copiii vor fi supravegheați să nu se joace cu mașina.
- În timpul funcționării mașinii, aveți grijă să nu cauzați rănirea persoanelor sau deteriorarea obiectelor din jur.
- Curățarea și întreținerea efectuată de către utilizator nu trebuie să fie efectuate de copii nesupravegheați.
- Operatorii vor instruiți în mod corespunzător cu privire la utilizarea acestor mașini.
- Nu folosiți mașina fără o structură de protecție împotriva obiectelor aflate în cădere (FOPS) în zonele în care este probabil ca operatorul să fie lovit de obiecte aflate în cădere.

DESCRIEREA MAȘINII

STRUCTURA MAȘINII* - opțional

1. Volan
2. Scaun, reglabil
(cu comutator de siguranță)
3. Lumină de avertizare
4. Cutie scule (*)
5. Capacul rezervorului apei recuperate
6. Cârlig
7. Încuietoare (x2)
8. Rezervor apă recuperată
9. Capac filtru
10. Suport furtun filtrare
11. Suport filtru
12. Rezervor soluție
13. Tub nivel de apă
14. Roți de tracțiune
(cu frâna mecanică)
15. Dispozitive de protecție laterală
împotriva stropirii
16. Ansamblul periei
17. Pompă
18. Roți bară de protecție
19. Capacul de golire al rezervorului
de soluție
20. Roți frontale
21. Lumini față
22. Filtru soluție
23. Bară de protecție față
24. Supapă de închidere soluție
25. Pedală de frână mecanică
26. Capac depozitare internă
27. Port USB de încărcare
28. Panou de comandă
29. Comutator de urgență
30. Suport pahar
31. Cablu suport rezervor de recuperare
32. Pedală de accelerație
33. Oprire instalare driver perie/lavetă
34. Butoane racletă
35. Buton de ajustare unghi racletă
36. Furtun de aspirare racletă
37. Racletă
38. Furtun de scurgere apă recuperată
39. Cârlig racletă
40. Cutie de colectare gunoi
41. Filtrul de admisie a aspiratorului
42. Garnitură de etanșare capac rezervor
43. Baterii (N/D)
44. Tavă baterie (*)
45. Sistem de aspirare
46. Sistem de aspirare dublu (*)

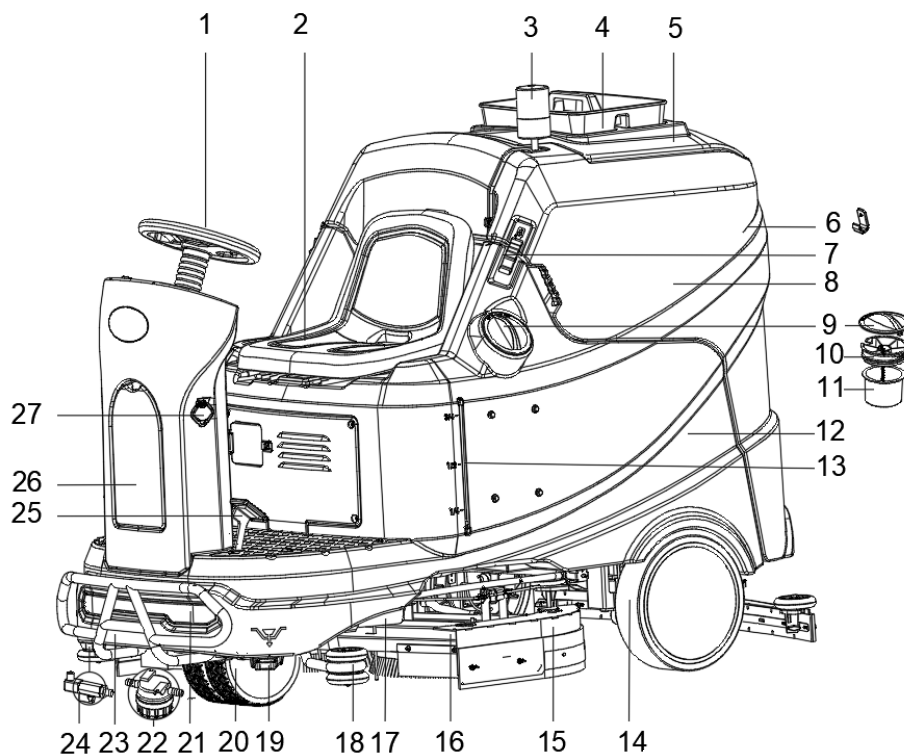


Figura 1

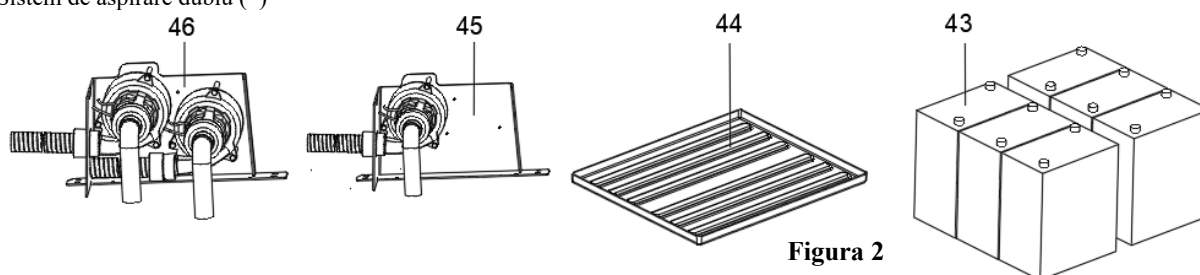
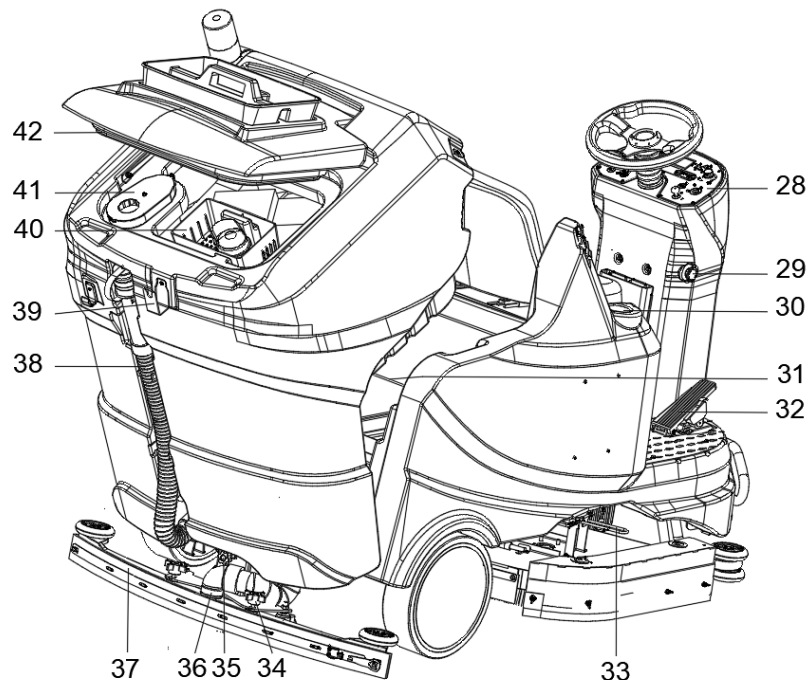


Figura 2

PANOU DE CONTROL (ca în imagine)

47. Afişaj multifuncţional
Elemente afişate:
A) Tip de baterie
B) Nivel de încărcare baterie
C) Ore lucrate
D) Mod ECO
E) Mod de aspirare normal
F) Mod de aspirare silenţios
G) Mod marşarier
H) Extra-presiune activă
I) Debit soluţie de detergent
J) Mod de funcţionare perie
K) Mod aspirare
L) Întrerupător de siguranţă scaun oprit
48. Indicator rezervor de recuperare plin/rezervor soluţie gol
49. Buton ajustare viteză
50. Buton de ajustare debit soluţie
51. Pornire cu un singur buton
·LED pe butonul de deasupra - funcţie activată
·sistem de apă (nivel 2)
·presiune la minimum (nivel 1)
·sistem de aspirare normal
52. Buton înainte - înapoi
53. Cheie de contact (0=PORNIT I=OPRIT)
54. Buton de reglare a sistemului de aspirare (apăsăţi butonul timp de 1 secundă, pentru a activa)
·LED aprins – mod normal
·LED intermitent - Mod silenţios
55. Buton mod ECO
·LED pe butonul de deasupra - funcţie activată
·debit de apă la minimum (nivel 1)
·presiune la minimum (nivel 1)
·Aspirare în modul silenţios
56. Clic pornit/oprit perie/suport lavetă
·LED intermitent -Clic pe activat
57. Buton de ajustare presiune perie
58. Buton claxon
59. Buton lumină faţă
60. Capac ştecher încărcător
61. Protecţii suprasarcină motor perie (30A)
62. Protecţie suprasarcină ridicare perie (3A)
63. Ştecher încărcător
64. Protecţie la suprasarcină circuit de control principal (5A)
65. Protecţie suprasarcină motor/motoare aspirator (30A)
66. Protecţie suprasarcină pentru ridicarea racletei (3A)

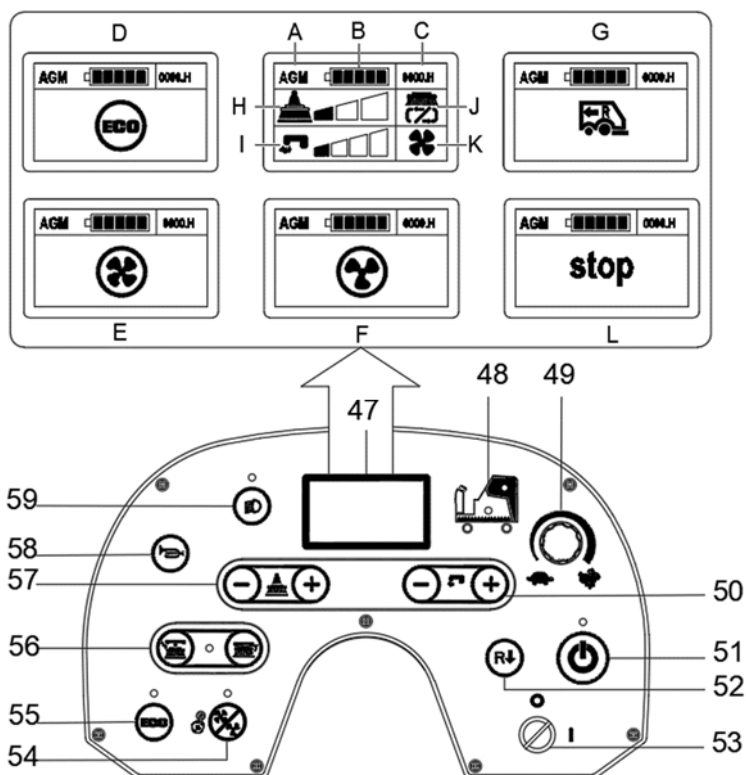


Figura 3

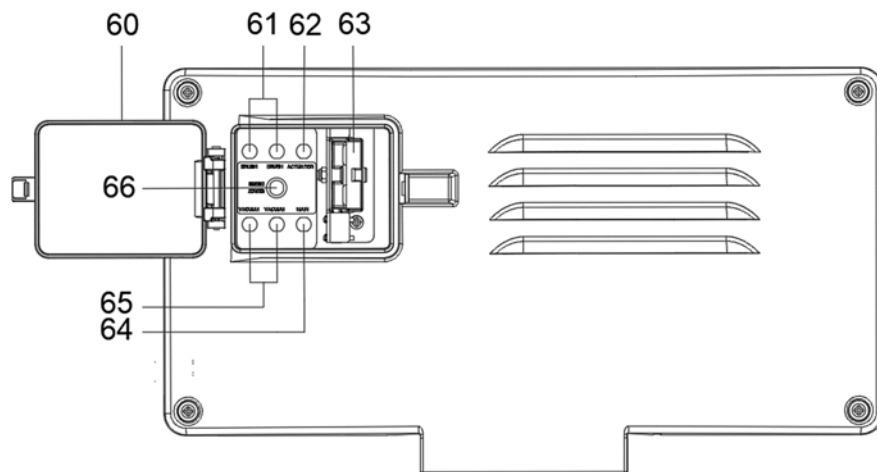


Figura 4

PARAMETRII TEHNICI

Tip de parametru	AS1050R
Tensiune	36 V
Putere nominală (INTRARE)	125A/4500W
Clasă de protecție IP	IP24
Capacitate rezervor soluție	200L / 53 Gal.
Capacitate rezervor apă recuperată	200L / 53 Gal.
Lățime frecare	980mm/35,58 țoli
Diametru perie/lavetă	508 mm 2/ 20 țoli x 2
Presiune perie/lavetă (max.)	90 kg / 198 livre
Putere motor perie (INTRARE)	2 x 1000 wați/2 x 1,3 CP
Viteză perie în modul normal	240 rpm
Viteză perie în modul ECO	175 rpm
Debit soluție (max.) per setare/minut	(1.6/2.3/3.3/4.6) Litri/0.42/0.61/0.87/1.22Gal
Nivelul presiunii acustice (un motor de aspirare)	72 ± 3 dB(A)
Nivelul presiunii acustice (două motoare de aspirare) (*)	75 ± 3 dB(A)
Nivel de presiune sonoră în modul ECO sau modul silențios	69 ± 3 dB(A)
Putere motor aspirare	600 W/0,8 CP
Încărcare USB	MAX. 5V 2.4A
Productivitate (max.)	7840 m ² /h/84389 ft ² /h
Viteză de lucru	0 – 8 km/ 0 – 5 mile pe oră
Viteză de deplasare înainte	0 – 8 Km / 0 – 5 mile pe oră
Viteză de deplasare în marșarier	0 – 5 Km / 0 – 3,1 Mile pe 3 oră
Putere motor tracțiune (INTRARE)	1600 W/2,1 CP
Spațiu minim pentru întoarcere	2650mm/104 țoli
Capacitate de urcare transport (max.)	20%
Capacitate de urcare funcționare (max.)	16%
Diametru roată de tracțiune	340mm/13,4 țoli
Presiune specifică a roții de tracțiune pe podea	0,68 N/mm ²
Diametru roată frontală	250 mm/10 țoli
Presiune specifică a roții față pe podea	0,62 N/mm ²
Nivel vibrații mâner (max.)	< 2,5 m/s ²
Dimensiune compartiment baterie (fără tavă) (L x l x h)	(680x560x450) mm/26,7 x 22 x 17,7 țoli
Dimensiuni compartiment baterie cu tavă (L x l x h) (*)	(665x550x430) mm/26,1 x 21,6 x 16,9 țoli
Lungimea mașinii fără bara de protecție din față	1875mm/73,8 țoli
Lățime mașină fără racletă	1077mm/42,4 țoli
Înălțime mașină	1350 mm/53 țoli
Înălțime mașină (Cu protecție suspendată)	1955 mm/77 țoli
Greutate mașină cu rezervoarele goale (fără baterii)	398 kg / 853,6 livre
Greutate brută vehicul (GVW)	870 Kg / 1914 Livre
Greutate brută vehicul (GVW) (Cu protecție suspendată)	897 Kg / 1973 Livre
Greutate transport	490 Kg / 1078 Livre
Dimensiuni ambalare (L x l x h)	(2110 x 1220 x 1535 mm) / (83x 48 x 60,4 țoli)

(*) : Opțional

GHID DE FUNCȚIONARE

**AVERTIZARE!**

Pe anumite puncte ale mașinii sunt lipite plăcuțe cu mențiunile:

- PERICOL!
- AVERTIZARE!
- ATENȚIE!
- CONSULTARE

După citirea acestui manual, operatorul trebuie să dea o atenție deosebită acestor simboluri indicate pe plăcuțe. Nu acoperiți în niciun caz aceste plăcuțe și înlocuiți-le imediat în caz de deteriorare.

VERIFICARE/SETARE BATERII PE O NOUĂ MAȘINĂ

**AVERTIZARE!**

Componentele electrice ale mașinii pot fi grav avariate dacă bateriile sunt instalate sau conectate incorect. Bateriile trebuie instalate numai de către personal calificat. Setări tipul bateriei conform procedurii de mai jos în funcție de tipul de baterii utilizate (baterii WET sau GEL/AGM/DIS/ENE). Înainte de instalare, verificați ca bateriile să nu fie deteriorate. Deconectați conectorul bateriei și ștecărul încărcătorului. Manipulați bateriile cu multă atenție. Instalați capacele de protecție ale bornelor bateriilor furnizate odată cu mașina.

**NOTĂ**

Mașina necesită șase baterii de 6V, conectate și instalate în pozițiile arătate în Figura 5.

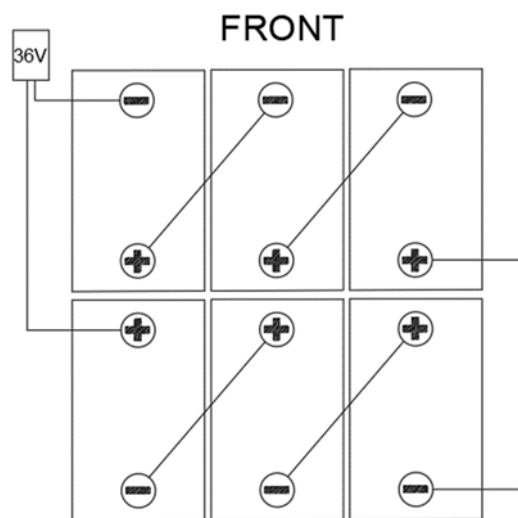


Figura 5

Baterii instalate deja pe mașină

1. Asigurați-vă că conectorul bateriei este conectat.
2. Când utilizați mașina pentru prima dată cu baterii noi, efectuați un ciclu complet de încărcare (consultați procedura de la capitolul Întreținere).

Fără baterii

1. Cumpărați baterii adecvate (a se vedea paragraful „Date tehnice”). Pentru alegerea și instalarea bateriilor, apălați la distribuitorii calificați de baterii.
2. Setări setarea tipului de baterie utilizând procedura de mai jos.

INSTALAREA BATERIILOR ȘI SETAREA TIPULUI DE BATERIE (WET/ GEL/ AGM/DIS/ENE)**Instalarea bateriei**

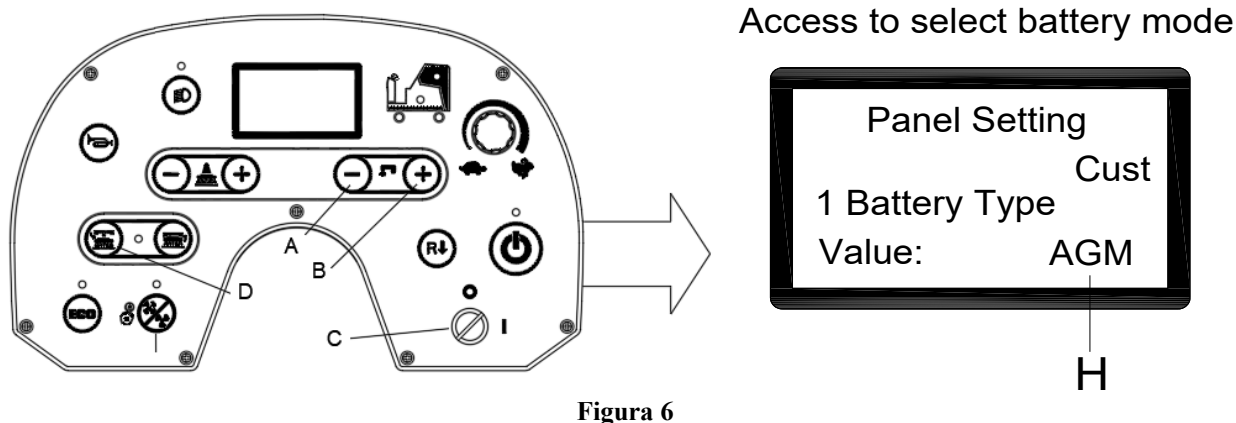
1. Deschideți încuietorile din stânga și din dreapta (7, Figura 1).
2. Deschideți capacul rezervorului de recuperare (5 Figura 1) și verificați ca rezervorul de recuperare (8 Figura 1) să fie gol; dacă nu este; goliți-l cu ajutorul furtunului de scurgere (38 Figura 2).
3. Închideți capacul rezervorului de apă recuperată (5, Figura 1).
4. Ridicați rezervorul de apă recuperată (8, Figura 1).
5. Deconectați cablul rezervorului de recuperare și scoateți întregul ansamblu al rezervorului de recuperare.
6. Scoateți un șurub al cablului de întoarcere al rezervorului de recuperare (31, Figura 2) și îndepărtați rezervorul.
7. Scoateți cele patru șuruburi de pe fundul rezervorului de recuperare.
Mașina este furnizată cu cabluri potrivite pentru instalarea a șase baterii de 6V. Puneți cu atenție bateriile în compartimentul lor și instalați-le corect conform Figurii 5. Amplasați placa fixată pe baterii corect.
8. Ghidați și instalați cablul bateriei ca în Figura 5, apoi strângeți cu grijă piulița de la fiecare bornă a bateriei.

9. Puneți capacul de protecție pe fiecare bornă, apoi conectați conectorul bateriei la mașină.
10. Asamblați ansamblul rezervorului de recuperare în ordinea inversă dezasamblării.
11. Coborâți cu grijă rezervorul de recuperare.

Setarea tipului de baterie (WET/GEL/AGM/DIS/ENE)

Acces pentru selectarea modului bateriei

În funcție de tipul de baterii utilizate (WET/GEL/AGM/DIS/ENE), setați mașina după cum urmează:



1. Apăsați simultan butoanele pentru debit de apă "-" (A, Figura 6) și "+" (B, Figura 6).
2. Inserați cheia de contact (C, Figura 6) și rotiți-o la poziția „I”.
3. După câteva secunde, accesați ecranul de selectare a modului bateriei (Figura 6).
4. Apăsați butoanele pentru debit de apă "-" (A, Figura 6) și "+" (B, Figura 6) pentru a selecta modul baterie (H, Figura 6).
5. Apăsați butonul de eliberare (A, Figura 6). Dacă după 3 secunde se afișează „Actualizare OK”, înseamnă că setarea a fost efectuată cu succes; reporniți mașina. (C, Figura 6).

Încărcare baterie

Încărcați bateriile complet (consultați procedura de la capitolul Întreținere).

Descărcarea bateriilor

Când indicatorul bateriei este plin (H, Figura 7), bateriile sunt încărcate complet. Când indicatorul bateriei este gol (H, Figura 7), bateriile trebuie să fie încărcate. După câteva secunde de la apariția indicatorului de nivel scăzut al bateriei, motoarele periei se opresc automat, în timp ce sistemul motor rămâne pornit. Deplasați mașina imediat la locul destinat reîncărcării bateriei.



INSTALAREA ȘI ÎNDEPĂRTAREA PERIEI/SUPPORTULUI LAVETEI



NOTĂ

Instalați peria (A, Figura 8) sau suportul de lavetă (B și C, Figura 8) în funcție de tipul de podea ce urmează a fi curățată.



ATENȚIE!

Înainte de instalarea sau îndepărtarea periei sau a suportului de lavetă, asigurați-vă că toate comutatoarele mașinii sunt pe poziția oprită și că raclata este ridicată de la podea. Operatorul trebuie să fie echipat cu echipament de protecție adecvat, precum mănuși, care are menirea de a reduce riscurile de accidentare.

Procedați după cum urmează:**INSTALARE:**

1. Inserați cheia de contact (53, Figura 3) și rotiți-o la poziția „I”. Ridicați puntea.
2. Poziționați periele (A, Figura 8) sau suporturile de lavetă (B, Figura 8) sub punte. Utilizați opritorul de instalare a periei (D, Figura 8) pentru a ajuta la găsierea poziției corecte a periei/suportului lavetei.
3. Instalați peria/suportul de lavetă apăsând butonul de activare a periei /suportului de lavetă (F, Figura 8); peria/suportul de lavetă va fi instalat(ă) automat. Direcția de rotație este indicată (Figura 8). Indicatorul luminos LED va pâlpâi.

ÎNDEPĂRTARE:

1. Inserați cheia de contact (53, Figura 3) și rotiți-o la poziția „I”. Asigurați-vă că peria/suportul lavetei este în poziție ridicată (SUS). Îndepărtați peria/suportul de lavetă apăsând butonul de eliberare a periei /suportului de lavetă, (F, Figura 8); peria/suportul de lavetă va fi eliminat(ă) automat. Indicatorul luminos LED va fi aprins.

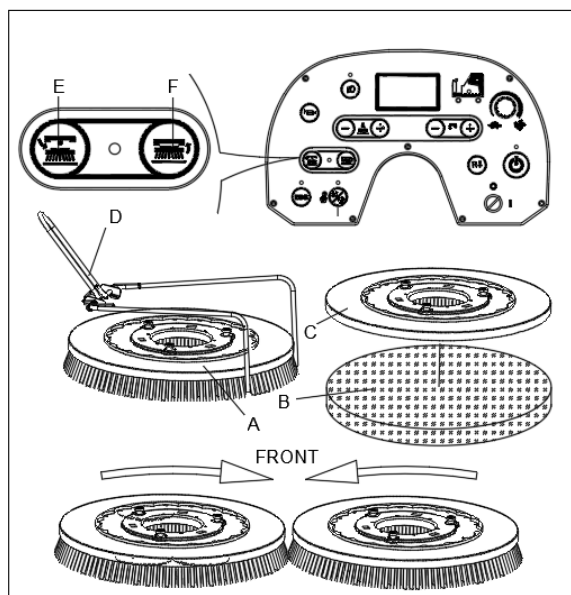


Figura 8

Dacă apăsați butonul de oprire perie și apăsați apoi butonul de pornire, trebuie să scoateți cheia de contact, apoi introduceți-o din nou, mașina poate funcționa din nou.

AJUSTAREA ECHILIBRULUI DISPOZITIVELOR DE PROTECȚIE LATERALĂ ÎMPOTRIVA STROPirii

Înălțimea apărătorii de stropire trebuie monitorizată și ajustată. În timpul curățării cu mașina, verificați performanța apărătorilor laterale de stropire.

- A. Dacă apărătorii de stropire sunt prea sus, spațiul dintre apărătoarea de stropire (D) și podea va lăsa apă pe podea în timpul turelor.
- B. Dacă apărătorii de stropire sunt prea jos, apărătoarea de stropire (D) se va abate prea mult, lăsând apă în timpul turelor și reducând durata de viață a apărătoarei de stropire.
- C. Ajustarea corectă este atunci când apărătorii de stropire ating ușor podeaua de la partea din față la partea din spate a apărătorii de stropire.

Procedura de ajustare după cum urmează:

1. Asigurați-vă că puntea este în poziție ridicată (SUS).
2. Slăbiți piulițele de fixare superioare (A) și scoateți ansamblul apărătorilor de stropire.
3. Reglați piulițele de fixare inferioare (B) sus/jos.
4. Reinstalați ansamblul de apărătorii de stropire și verificați reglajul.
5. Repetați 3. și 4 după cum este necesar, până când ajustarea apărătorii de stropire este corectă.
6. Strângeți piulițele de fixare superioare (A) pentru a fixa reglajul.
7. Repetați procedura pe cealaltă parte.

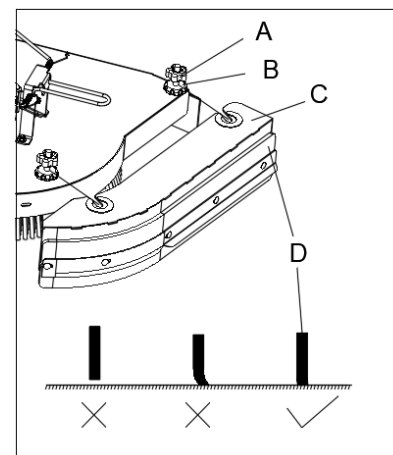


Figura 9

AJUSTAREA RACLETEI

1. Instalați racleta și strângeți piulițele (C, Figura 10), apoi conectați furtunul de aspirare (G) la racletă.
2. Ajustați racleta cu ajutorul mânerului de ajustare (A).
 - a) Dacă este un spațiu gol între podea și secțiunea din mijloc a lamei racletei din spate (E), ajustați butonul (A) în sensul acelor de ceasornic (H) până când toate secțiunile lamei racletei din spate a racletei sunt în contact ferm cu solul, iar lama din față atinge ușor solul.
 - b) Dacă este un spațiu gol între podea și ambele capete ale lamei din spate (D și F) ajustați butonul (A) în sensul invers acelor de ceasornic (G), până când toate secțiunile lamei racletei din spate sunt în contact ferm cu solul, iar lama din față atinge ușor solul.

Dacă este necesar, reglați întreaga înălțime a racletei reglând înălțimea roții (K).

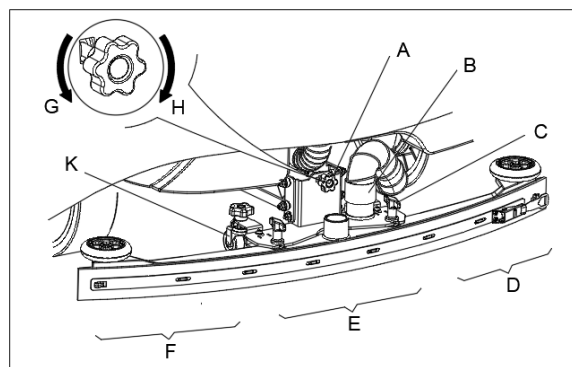


Figura 10

UMPLEREA REZERVORULUI DE SOLUȚIE

1. Deschideți capacul intrării pentru apă (A, Figura 11).
2. Umpleți cu apă sau soluție potrivită pentru executarea lucrării, prin intrarea pentru apă prevăzută cu filtru.
Temperatura soluției nu trebuie să depășească +104F (+40°C).
3. Nu umpleți excesiv rezervorul, consultați indicatorul nivelului volumului de apă (D).

**AVERTIZARE!**

Utilizați numai detergenți neinflamabili cu grad de spumare redus, destinați aplicațiilor de rașchetare.

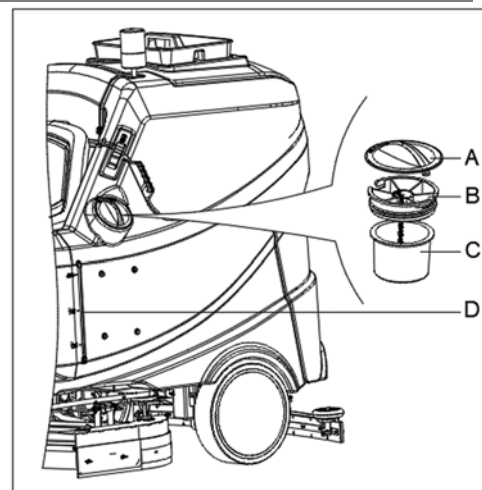


Figura 11

INSPECȚIA MOTORULUI DE TRACȚIUNE ȘI A FRÂNEI MECANICE

1. Aduceți cheia de contact (A Figura 12) la "I", așezați-vă pe scaun (C).
2. Apăsați ușor pedala de accelerație (D) și eliberați-o pentru a verifica dacă mașina poate fi condusă în direcția înainte și oprită.
3. Pentru a asigura securitatea, confirmați dacă mașina poate fi oprită imediat prin apăsarea butonului de urgență (B). Rotiți butonul de avarie pentru a-l reseta.
4. Apăsați pedala de frână mecanică (F) rapid pentru a verifica dacă mașina poate fi oprită imediat.

AVERTIZARE!

Capacitatea de urcare în timpul funcționării nu trebuie să depășească 16%. Când lucrați în pantă, trebuie să mențineți încuietorile rezervorului (7 Figura 1) cuplate. Pentru siguranță, nu opriți niciodată mașina în pantă.



Atunci când urcați o pantă cu înclinație maximă de 20%, reglați în avans potențiometrul de limitare a vitezei în poziția de viteză maximă. Apăsați pedala de accelerație până la capătul cursei în timp ce urcați panta.

Atunci când realizați o rașchetare pe o pantă cu înclinație maximă de 16%, reglați în avans potențiometrul de limitare a vitezei în poziția de viteză maximă. Dacă pe afișaj apare „Error 4, Tra Overload”, reglați presiunea periei la cea mai joasă setare.

Dacă observați că viteza mașinii este din ce în ce mai mică și mai aproape de starea de oprire în timpul urcării pe o pantă și „Error 4, Tra Overload” este afișat pe afișaj, eliberați imediat pedala de accelerație și călcați pe frâna mecanică.

Dacă „Error 4, Tra Overload” este afișat în timpul urcării pe o pantă, opriți imediat și apăsați pe frâna mecanică, rotiți comutatorul cu cheie la oprit și apoi deplasați cheia în

poziția pornit pentru a reporni și a renunța la operațiunea de urcare. Reglați potențiometrul limitei de viteză într-o poziție de viteză redusă, apoi apăsați butonul spre înapoi, eliberați frâna mecanică, călcați ușor pe pedala de accelerație, astfel încât mașina să se poată deplasa încet spre înapoi până când se atinge o înclinație mai mică.

**ATENȚIE!**

Frâna motorului de tracțiune este eliberată când motorul funcționează în mod normal, ea se blochează atunci când motorul se oprește din funcționare. În unele cazuri speciale, cum ar fi ambalarea/despachetarea mașinii, defecțiunea mașinii etc., mașina poate avea nevoie să fie împinsă. Pe motorul de tracțiune (G Figura 12) împingeți mânerul frânei (H Figura 12), frâna mașinii este eliberată, iar mașina poate fi deplasată. După finalizare, împingeți mânerul înapoi, astfel încât mașina să poată funcționa.

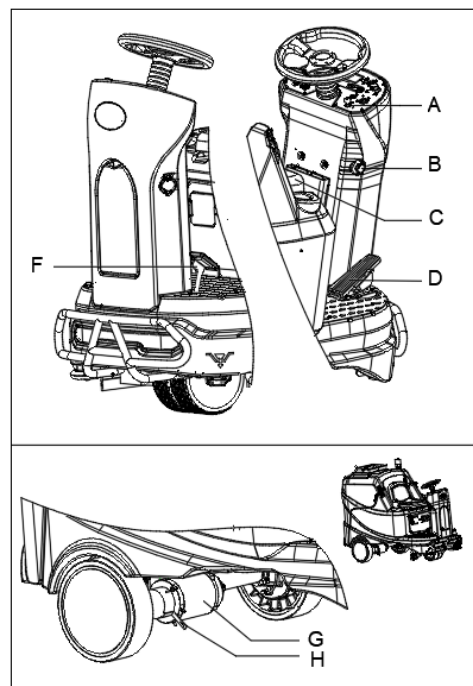


Figura 12

PORNIREA ȘI OPRIREA MAȘINII**Pornirea mașinii**

1. Pregătiți mașina așa cum s-a arătat în paragraful anterior.
2. Așezați-vă pe scaun (K, Figura 13), introduceți cheia de contact (J, Figura 13) și rotiți-o în poziția "I". Verificați starea bateriilor pe afișaj. Dacă este necesar, încărcați bateriile complet (consultați procedura de la capitolul Întreținere).

3. Conduceți mașina la zona de lucru.

Direcția înainte/înapoi poate fi controlată cu ajutorul comutatorului (H, Figura 13). Viteza deplasării înainte poate fi ajustată cu ajutorul (E, Figura 13).

4. Apăsăți butonul pentru pornirea cu un singur buton (G, Figura 13) pentru a porni mașina, racleta și periile sunt coborâte automat pe podea și motorul de aspirare începe să funcționeze.
5. Apăsăți butoanele de control debit soluție (F, Figura 13) după cum este necesar, în funcție de tipul de curățare ce urmează a se executa.
6. Apăsăți pedala de accelerație (Q, Figura 13) și începeți curățarea.
7. Puteți să vă încărcați telefonul sau tableta utilizând portul USB de încărcare (M, Figura 13) când cheia de contact (J, Figura 13) este pe poziția "I".
8. Apăsăți claxonul (B, Figura 13) pentru a avertiza persoanele în caz de necesitate.
9. Dacă este necesar, apăsați butonul de urgență (N, Figura 13) pentru oprirea mașinii în caz de urgență.
10. Dacă este necesar, apăsați butonul luminilor frontale (C, Figura 13) pentru zonele întunecate sau pentru a avertiza pietonii.
11. Dacă este necesar, reglați scaunul (K, Figura 13) rotind mânerul din dreapta scaunului, apoi glisați scaunul în poziția corectă.



NOTĂ

Motorul periei, motorul de vid, motorul de acționare și circuitul de control sunt protejate de un protector de suprasarcină (P, Figura 13). Când un protector de suprasarcină se declanșează, nu îl resetați imediat fără a afla cauza principală și asigurați-vă că motorul s-a răcit înainte de resetare.

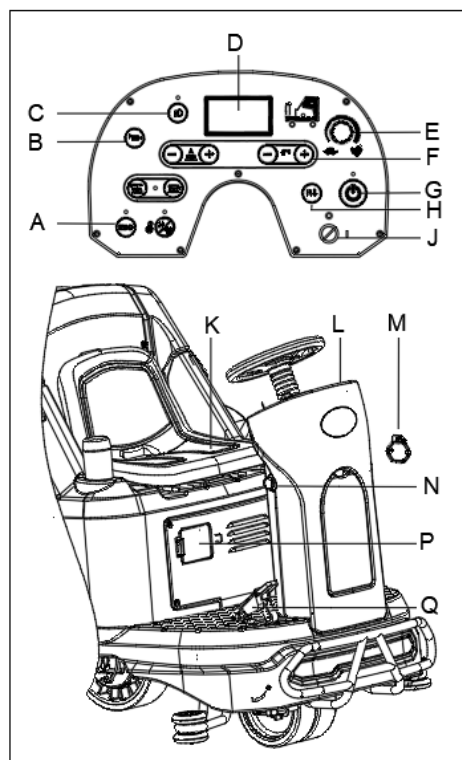


Figura 13

Oprii mașina

12. Eliberați pedala de accelerație (Q, Figura 13), mașina se oprește din funcționare.
13. Apăsăți butonul de pornire (G, Figura 13) pentru a opri periile și motorul aspiratorului. Periile și racleta sunt ridicate automat de pe podea. Sistemul de aspirare se oprește după câteva secunde.
14. Rotiți cheia de contact la poziția „0”.
15. Asigurați-vă că mașina nu se deplasează singură.

OPERAREA MAȘINII (FRECARE ȘI USCARE)

1. Porniți mașina conform procedurilor din paragrafele anterioare.
2. Începeți curățarea aplicând procedurile de la paragraful "Pornirea mașinii".
3. Dacă este necesar, oprii mașina pentru a ajusta dispozitivele de protecție laterală împotriva stropirii conform secțiunii "Ajustarea echilibrului apărătorilor de stropire".
4. Dacă este necesar, oprii mașina pentru a ajusta racleta, conform secțiunii "Ajustarea echilibrului racletei".



NOTĂ

Pentru frecarea/uscarea corectă a podelelor în apropierea pereților. Se recomandă să mergeți pe lângă pereți cu partea dreaptă a mașinii (Figura 14) cum se arată în figură.

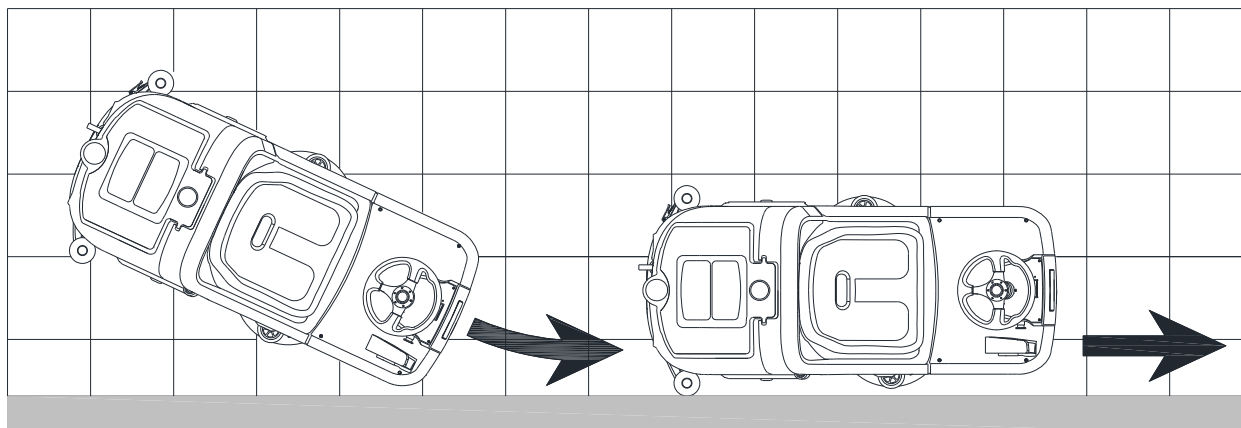


Figura 14

GOLIREA REZERVORULUI

Golirea rezervorului de apă recuperată

Când afișajul multifuncțional (47, Figura 3) indică ERROR24 și indicatorul complet al rezervorului de recuperare (48, Figura 3) este pornit. Indică faptul că rezervorul de recuperare (C, Figura 15) este plin, motorul de aspirare nu mai poate usca podeaua. Goliți rezervorul de recuperare după cum urmează:

1. Opriți mașina.
2. Ridicați puntea periei/suportului de lavetă și racleta prin apăsarea butonului de pornire (51, Figura 3).
3. Deplasați mașina la locul destinat golirii murdăriei.
4. Goliți rezervorul de apă recuperată cu ajutorul furtunului (D, Figura 15). Apoi, clătiți rezervorul (C, Figura 15) cu apă curată.



ATENȚIE!

Când goliți apa uzată, țineți furtunul de scurgere ridicat și pliați-l peste secțiunea superioară pentru a evita vărșarea pe operator.

Golirea rezervorului de soluție/apă curată

1. Goliți rezervorul de soluție prin capacul de evacuare (A, Figura 15). După executarea lucrării, clătiți rezervorul cu apă curată.

DUPĂ UTILIZAREA MAȘINII

După executarea lucrării, înainte de a depozita mașina:

1. Îndepărtați periile/suporturile de lavetă prin apăsarea butonului de eliberare din stânga (56, Figura 3) și curățați-le.
2. Goliți rezervoarele (B și C, Figura 15) cum s-a arătat în paragraful anterior.
3. Executați operațiile de întreținere zilnică (a se vedea capitolul Întreținere).
4. Depozitați mașina într-un loc curat și uscat, cu periile/suporturile de lavetă și racleta ridicate sau îndepărtate.
5. Utilizați suportul capacului rezervorului de recuperare pentru a menține capacul deschis. Aceasta va ajuta la prevenirea acumulării mirosurilor în interior.

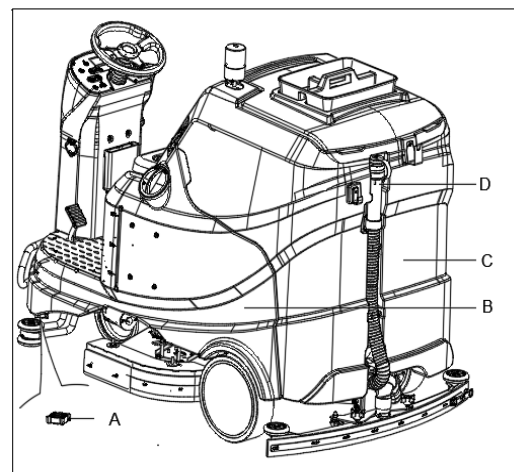


Figura 15

DEPOZITAREA MAȘINII ÎN TIMPUL INACTIVITĂȚII PRELUNGITE

Dacă mașina nu se va folosi o perioadă mai mare de 30 de zile, procedați după cum urmează:

1. Executați procedurile din paragraful „După utilizarea mașinii”.
2. Deconectați conectorul bateriei.

PRIMA PERIOADĂ DE UTILIZARE

După primele 8 ore, verificați elementele de prindere ale mașinii și racordurile care trebuie să fie bine strânse, și verificați ca părțile vizibile să nu prezinte urme de uzură sau scurgere.

ÎNTREȚINERE



AVERTIZARE!

Procedurile de mentenanță trebuie executate după ce mașina a fost oprită și cablul de încărcare a fost deconectat. În plus, citiți cu atenție capitolele dedicate securității, din manual.

Toate procedurile de mentenanță programate sau extraordinare, trebuie executate de personal calificat sau de un centru service autorizat. În acest manual se descriu doar procedurile generale și comune de întreținere.

Pentru alte proceduri de întreținere care nu sunt în tabelul de mai jos al programului de întreținere, vă rugăm să contactați Departamentul nostru de asistență tehnică.

TABEL ÎNTREȚINERE PROGRAMATĂ



ATENȚIE!

Procedura marcată cu (1) trebuie executată când mașina a fost utilizată timp de 8 ore pentru prima dată. Procedura marcată cu (2) trebuie executată de un centru de service autorizat de compania noastră.

Procedură	Zilnic, după fiecare utilizare	Săptămâna l	Bianual	anual
Încărcare baterie				
Curățare racletă				
Curățare suport perie/material textil				
Curățare rezervor				
Inspectare garnitură etanșare rezervor				
Curățare cutie de colectare gunoi				
Curățarea periei/lavetei				
Curățare apărătoare anti-stropire				
Verificare și înlocuire lamă racletă				
Curățarea filtrului soluției				
Curățarea filtrului de admisie a aspiratorului				
Verificare nivel de fluid baterie WET				
Inspectare înșurubare șuruburi și piulițe			(1)	
Adăugați ulei lubrifiant la părțile în mișcare (ulei de frână)			(1)	
Verificare sau înlocuire perie de carbon motor perie				(2)
Verificare sau înlocuire perie de carbon motor aspirare				(2)
Verificare sau înlocuire perie de carbon motor tractor				(2)

ВВЕДЕНИЕ**ВНИМАНИЕ!**

Некоторая общая и подробная информация о машине не входит в данное руководство. Пожалуйста, см. РУКОВОДСТВО ПО НАЧАЛУ РАБОТЫ на прилагаемом компакт-диске, читаемом Adobe® Reader®.

**ПРИМЕЧАНИЕ.**

Цифры в скобках относятся к компонентам, показанным в главе «Описание машины».

ЦЕЛЬ РУКОВОДСТВА И СОДЕРЖАНИЕ

Целью данной инструкции по применению является предоставление оператору всей основной информации, сведений о технических характеристиках, эксплуатации, бездействии машины, техническом обслуживании, запасных частях и условиях безопасности и т. д.

Перед выполнением любой процедуры на машине операторы и квалифицированные специалисты должны прочитать инструкцию по применению. Обращайтесь в нашу компанию, в случае сомнений, касающихся толкования инструкций или за любой дополнительной информацией.

КАК ХРАНИТЬ ДАННУЮ ИНСТРУКЦИЮ ПО ПРИМЕНЕНИЮ

Инструкция по применению должна храниться рядом с машиной, в пригодном ящике, подальше от жидкостей и других веществ, которые могут вызвать какие-либо повреждения.

ДЕКЛАРАЦИЯ СООТВЕТСТВИЯ

Декларация соответствия предоставляется вместе с машиной и удостоверяет соответствие машины с действующим законодательством.

**ПРИМЕЧАНИЕ.**

Копии оригинала декларации соответствия предоставляются вместе с документацией машины.

АКСЕССУАРЫ И ОБСЛУЖИВАНИЕ

Все необходимые процедуры по эксплуатации, техническому обслуживанию и ремонту должны выполняться квалифицированным персоналом, или назначенным сервисным центром нашей компании. Следует использовать только разрешенные запчасти и аксессуары.

В случае необходимости получения обслуживания или покупки аксессуаров или запасных частей обращайтесь в центр по обслуживанию клиентов нашей компании.

ИЗМЕНЕНИЕ И УЛУЧШЕНИЕ

Мы стремимся к постоянному совершенствованию своей продукции, и компания оставляет за собой право на изменения и улучшения машины без дополнительного информирования.

СФЕРА ПРИМЕНЕНИЯ

Оборудование подходит для коммерческого и промышленного использования. Он подходит для очистки гладкого и сплошного пола, выполняемой квалифицированным работником в безопасных обстоятельствах. Не подходит для использования на открытом воздухе, очистки ковров или грубой поверхности пола.

ИДЕНТИФИКАЦИОННЫЕ ДАННЫЕ МАШИНЫ

Серийный номер и название модели машины обозначены на серийной этикетке.

Эта информация полезна. Используйте следующую таблицу для того, чтобы записать идентификационные данные машины, когда потребуются запасные части для машины.

МОДЕЛЬ МАШИНЫ.....
СЕРИЙНЫЙ НОМЕР МАШИНЫ.....

ТРАНСПОРТИРОВКА И РАСПАКОВКА

Когда перевозчик доставляет машину, убедитесь, что упаковка и машина целые и без повреждений. При обнаружении каких-либо повреждений, сообщите перевозчику о повреждениях, прежде чем принять товар, чтобы оставить за собой право на компенсацию ущерба.

Строго следуйте инструкциям на упаковке при распаковке машины.

Проверьте упаковку на наличие следующих предметов:

1. Техническая документация - Инструкция по эксплуатации.
2. Компоненты для соединения батареи.
3. Руководство к электронному зарядному устройству батареи (при наличии) (*)

БЕЗОПАСНОСТЬ

Следующие символы обозначают потенциально опасные ситуации. Всегда внимательно читайте эту информацию и принимайте все необходимые меры предосторожности для защиты людей и имущества. **ВИЗУАЛЬНЫЕ СИМВОЛЫ НА МАШИНЕ.**

ВИДИМЫЕ СИМВОЛЫ НА МАШИНЕ**ПРЕДУПРЕЖДЕНИЕ!**

Перед выполнением любой операции на машине внимательно прочитайте все инструкции.

**ПРЕДУПРЕЖДЕНИЕ!**

Не мойте машину под прямой или напорной струей воды.

**ПРЕДУПРЕЖДЕНИЕ!**

Не используйте машину на склонах с уклоном, превышающим уклон, указанный в разделе спецификаций.

СИМВОЛЫ, КОТОРЫЕ ПОЯВЛЯЮТСЯ В ИНСТРУКЦИИ ПО ПРИМЕНЕНИЮ**ОПАСНОСТЬ!**

Это указывает на опасную ситуацию с риском смерти для оператора.

**ПРЕДУПРЕЖДЕНИЕ!**

Это указывает на потенциальную опасность получения травмы для людей.

**ВНИМАНИЕ!**

Это указывает на предостережение или замечание, связанное с важными или полезными функциями. Обратите внимание на пункты, обозначенные этим символом.

**ПРИМЕЧАНИЕ.**

Это указывает на замечание, связанное с важными или полезными функциями.

**КОНСУЛЬТАЦИЯ**

Это указывает на необходимость обратиться к инструкции по применению перед выполнением любой процедуры.

ОБЩИЕ ИНСТРУКЦИИ ПО БЕЗОПАСНОСТИ

Конкретные предупреждения и предостережения для сообщения о потенциальных повреждениях людям и машины показаны ниже.



ОПАСНОСТЬ!

- Данная машина должна эксплуатироваться обученным и уполномоченным персоналом в соответствии с указаниями настоящего руководства.
- Перед выполнением любой процедуры очистки, обслуживания, ремонта или замены, внимательно прочитайте все инструкции, убедитесь в том, что машина выключена и отсоедините разъем батареи.
- Не используйте машину вблизи токсичных, опасных, горючих и (или) взрывоопасных порошков, жидкостей или паров. Эта машина не подходит для сбора опасных порошков.
- Не носите драгоценности во время работы рядом с электрическими компонентами.
- Не работайте с поднятой машиной без ее надежной фиксации на защитных подножках.
- При использовании свинцовых (ЖИДКИХ) батарей, они могут выделять горючий газ при нормальном использовании. Держите искрящиеся, воспламеняющиеся и излучающие материалы, а также предметы освещения и горения подальше от батарей.
- При зарядке свинцовых (ЖИДКИХ) батарей, они могут выделять водород, который может вызвать взрыв. Вы должны следить за тем, чтобы обеспечить хорошо проветриваемое зарядное помещение, вдали от источников пламени.



ПРЕДУПРЕЖДЕНИЕ!

- Данная машина предназначена для **КОММЕРЧЕСКОГО ИСПОЛЬЗОВАНИЯ**, например, в гостиницах, школах, больницах, на заводах, в магазинах, офисах и арендуемых помещениях.
- Машины, оставленные без присмотра, необходимо защитить от случайного передвижения.
- Чтобы избежать несанкционированного использования машины, необходимо отключить или заблокировать источник питания: например, вынуть ключ из главного выключателя или ключ зажигания.
- Внимательно проверяйте машину перед каждым использованием. Убедитесь, что все компоненты правильно собраны перед использованием. Неправильно закрепленные компоненты могут нанести ущерб людям и имуществу.
- Никогда не перемещайте машину, взявшись за кабель зарядного устройства. Не пропускайте кабель через закрытую дверь и не сгибайте его через острые края или углы. Не ставьте машину на кабель зарядного устройства. Держите кабель зарядного устройства подальше от нагретых поверхностей.
- Не заряжайте батареи, если кабель или вилка зарядного устройства повреждены.
- Для снижения риска возникновения пожара, поражения электрическим током или травмы, перед уходом убедитесь, что машина выключена.
- Используйте или храните машину в помещении в сухих условиях, не допускается использовать машину вне помещения.
- Температура работы и хранения машины должна быть в пределах от 0 °C до +40 °C, влажность воздуха должна быть в пределах 30–95 %.
- Не используйте машину на склонах с уклоном, превышающим уклон, указанный в спецификации.
- При использовании и эксплуатации моющих средств для пола, следуйте инструкциям на этикетках моющих средств, надевайте защитные перчатки и используйте прочие защитные устройства.
- Используйте щетки и пэды, поставляемые с машиной или указанные в руководстве. Использование других щеток или пэдов может снизить безопасность.
- В случае неисправности машины, убедитесь, что это происходит не из-за отсутствия технического обслуживания. При необходимости обратитесь за помощью к уполномоченному персоналу или в авторизованный сервисный центр.
- Примите все необходимые меры предосторожности, чтобы предотвратить попадание волос, драгоценностей и частей одежды в движущиеся части машины.
- Не используйте машину в сильно запыленных местах.

- Не мойте машину под прямой или напорной струей воды или с использованием агрессивных веществ.
- Не задевайте полки или стеллажи, особенно там, где существует риск падения предметов.
- Не прислоняйте емкости с жидкостью к машине, используйте соответствующие держатели.
- Чтобы избежать повреждения пола, не допускайте работу щетки/пэда, когда машина стоит на месте.
- В случае пожара, используйте сухой порошковый огнетушитель. Не используйте жидкие огнетушители.
- Не удаляйте и не изменяйте наклейки машины.
- Не портите защитные приспособления машины и тщательно следуйте инструкциям по плановому техническому обслуживанию.
- Будьте внимательны во время транспортировки машины при температуре ниже точки замерзания. Вода в баке для грязной воды и в шлангах может замерзнуть и серьезно повредить машину.
- Если какие-либо запасные части необходимо заменить, закажите **ОРИГИНАЛЬНЫЕ** запасные части в офисе нашей компании или у уполномоченного дилера.
- Сообщите в сервисный центр, если машина не работает исправно, повреждена, находилась на открытом воздухе или упала в воду.
- Для обеспечения правильной и безопасной эксплуатации машины плановое техническое обслуживание, указанное в соответствующей главе данного Руководства, должно выполняться уполномоченным персоналом или в авторизованном сервисном центре.
- Машина должна быть правильно утилизирована ввиду наличия токсичных и опасных материалов (батарей и т. д.). Процедура утилизации должна проходить в соответствии со стандартами, требующими утилизации в специализированных центрах (см. главу Утилизация).
- Данная машина используется только в качестве поломочной машины и не предназначена для использования в любых других целях.
- Всегда содержите шланги в чистоте, чтобы не было сопротивления потоку воздуха. Не используйте машину, если они забиты.
- Используйте машину только при надлежащем освещении.
- Данная машина не предназначена для использования лицами (в том числе детьми) с ограниченными физическими, сенсорными или умственными способностями, или с отсутствием опыта и знаний.
- При использовании машины рядом с детьми необходимо работать максимально внимательно.
- Дети должны быть под присмотром и не должны играть с машиной.
- При использовании данной машины будьте внимательны, чтобы не нанести вред людям или имуществу.
- Очистка и техническое обслуживание силами пользования не должны выполняться детьми без присмотра взрослых.
- Операторам необходимо пройти надлежащий инструктаж по использованию этих машин.
- Не используйте машину без конструкции, защищающей от падающих предметов (FOPS), в местах, где существует риск падения предметов на оператора.

ОПИСАНИЕ МАШИНЫ

КОНСТРУКЦИЯ МАШИНЫ* - опционально

1. Рулевое колесо
2. Сиденье, регулируемое (с предохранительным выключателем)
3. Проблесковый фонарь
4. Лоток для инструмента (*)
5. Крышка бака грязной воды
6. Крюк
7. Фиксатор (×2)
8. Бак грязной воды
9. Крышка фильтра
10. Держатель шланга залива
11. Опора фильтра
12. Бак раствора
13. Трубка индикатора уровня воды
14. Ведущие колеса (с механическим тормозом)
15. Боковые брызговики
16. Щетка в сборе
17. Насос
18. Боковые колеса
19. Крышка сливного отверстия резервуара для раствора
20. Передние колеса
21. Передние фары
22. Фильтр раствора
23. Передний бампер
24. Запорный клапан для подачи раствора
25. Педаль механического тормоза
26. Крышка внутреннего контейнера для хранения
27. USB-порт для зарядки
28. Панель управления
29. Аварийный выключатель
30. Подстаканник
31. Опорный кабель резервуара для отработанной жидкости
32. Педаль газа
33. Остановка установки щетки/драйвера
34. Ручки скребка
35. Ручка регулирования угла скребка
36. Вакуумный шланг скребка
37. Скребок
38. Дренажный шланг бака грязной воды
39. Крюк скребка
40. Блок сбора мусора
41. Фильтр впуска пылесоса
42. Прокладка крышки бака
43. Батареи (Н/Д)
44. Поддон батареи (*)
45. Вакуумная система
46. Двойная вакуумная система (*)

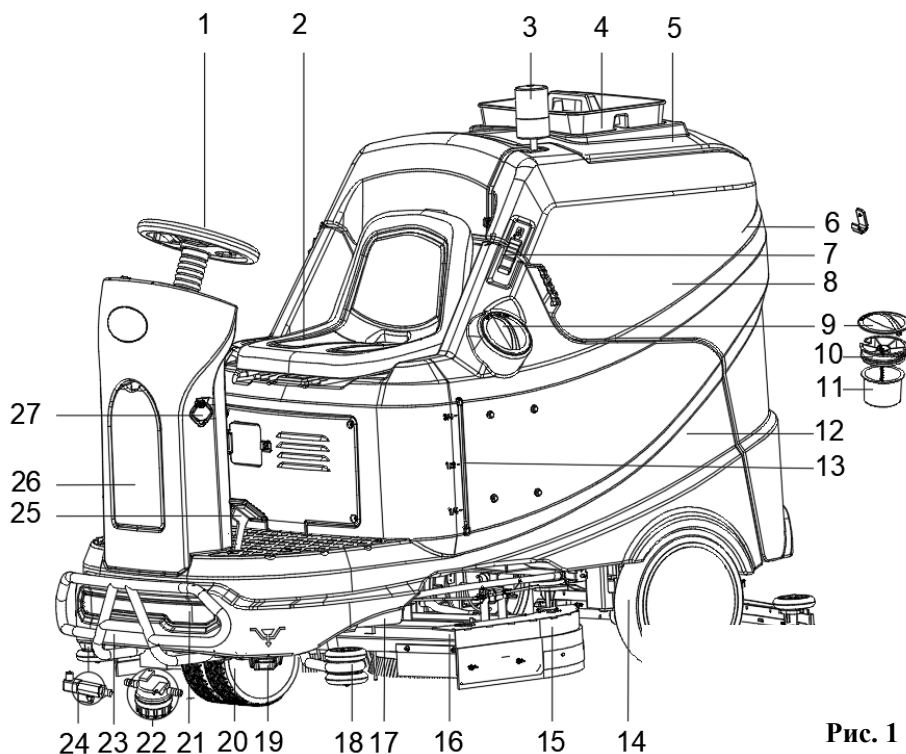


Рис. 1

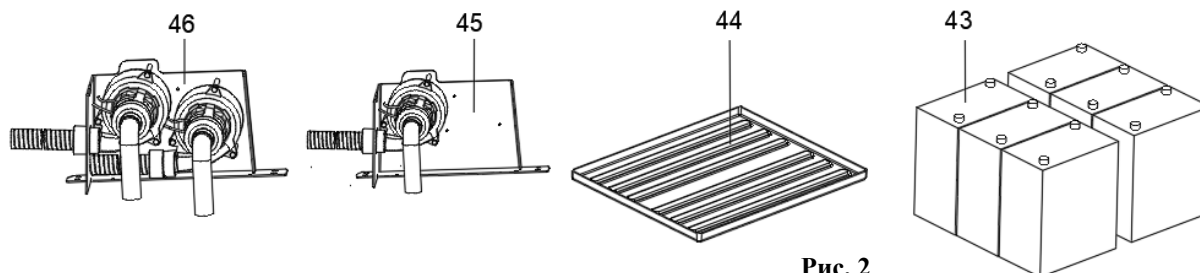
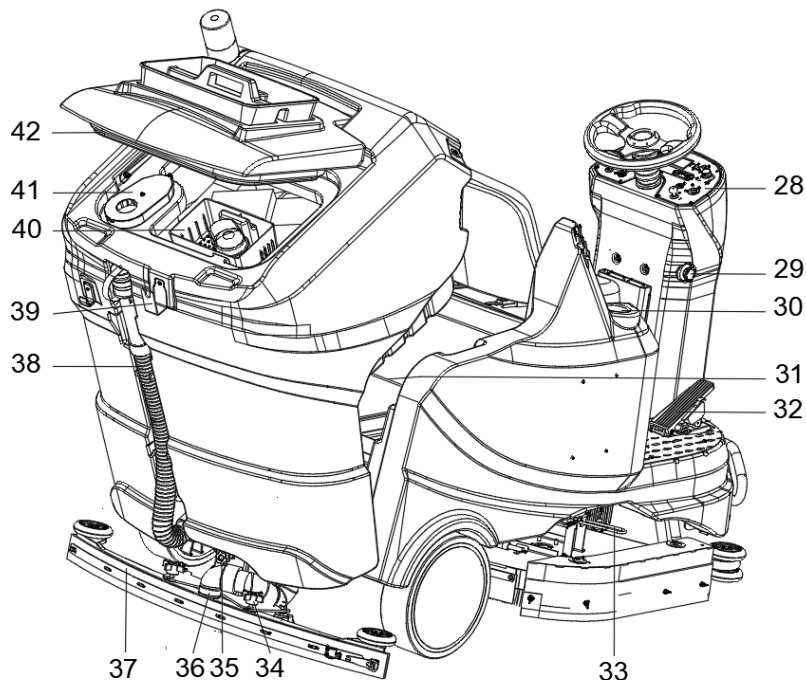


Рис. 2

ПАНЕЛЬ УПРАВЛЕНИЯ (как показано)

47. Многофункциональный дисплей
 Отображаемые элементы:
 А) Тип батареи
 В) Уровень заряда батареи
 С) Часы работы
 D) Режим ECO
 E) Нормальный режим вакуумной системы
 E) Бесшумный режим вакуумной системы
 G) Режим заднего хода
 H) Активирован режим дополнительного давления
 I) Расход потока мощющего раствора
 J) Режим работы щетки
 K) Режим вакуумной системы
 L) Предохранительный выключатель сиденья выключен
48. Индикатор заполнения резервуара/опорожнения резервуара для раствора
49. Кнопка регулировки скорости
50. Кнопка регулировки объема раствора
51. Кнопка быстрого запуска One-Start
 · Светодиод вкл. — указанная ниже функция активирована
 · минимальный уровень водяной системы (уровень 2)
 · минимальное давление (уровень 1)
 · вакуумная система находится в нормальном режиме
52. Кнопка возврата вперед
53. Ключ зажигания (0 = ВКЛ., I = ВЫКЛ.)
54. Кнопка регулировки вакуумной системы (удерживайте кнопку нажатой в течение 1 секунды для активации)
 · Светодиод вкл. — нормальный режим
 · Светодиод мигает — тихий режим
55. Кнопка режима ECO
 · Светодиод вкл. — указанная ниже функция активирована
 · минимальный поток воды (уровень 1)
 · минимальное давление (уровень 1)
 · Вакуумная система находится в бесшумном режиме
56. Вкл./выкл. щетки/держателя колески
 · СВЕТОДИОД мигает — активация щелчком
57. Кнопка регулировки давления щетки
58. Кнопка звукового сигнала
59. Кнопка переднего освещения
60. Крышка разъема зарядного устройства
61. Защита от перегрузки мотора щетки (30 А)
62. Защита от перегрузки мотора щетки (3 А)
63. Разъем зарядного устройства
64. Защита от перегрузки главной цепи управления (5 А)
65. Защита от перегрузки вакуумных моторов (30 А)
66. Защита от перегрузки при подъеме скребка (3 А)

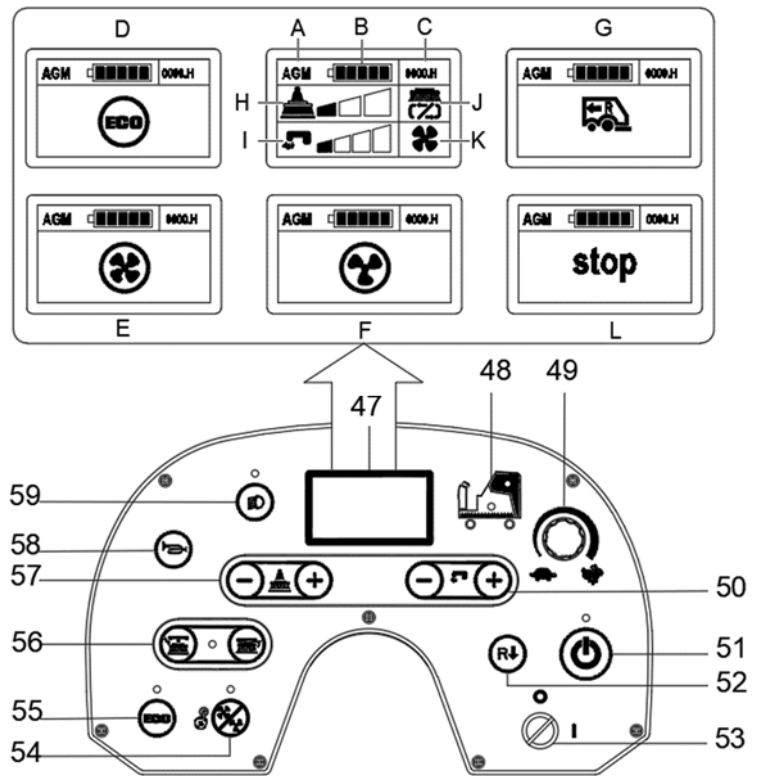


Рис. 3

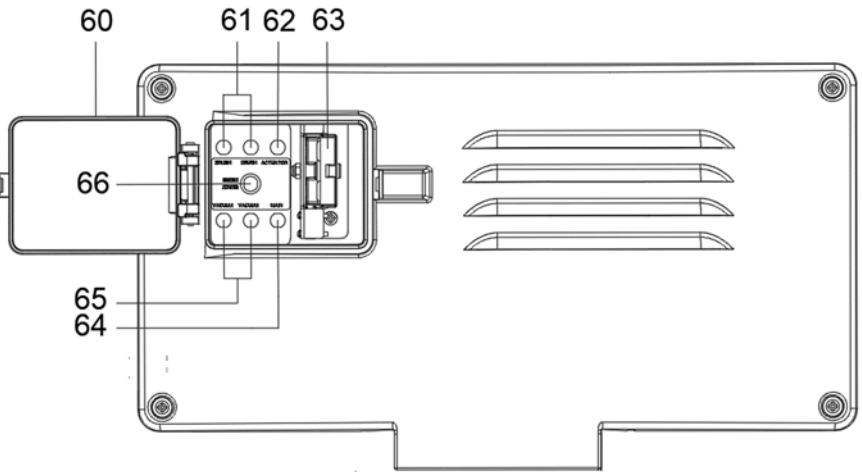


Рис. 4

ТЕХНИЧЕСКИЕ ПАРАМЕТРЫ

Тип параметра	AS1050R
Напряжение В	36 В
Номинальная мощность (ВХОД)	125 А/4500 Вт
Класс защиты IP	IP24
Емкость бака раствора	200 л/53 галлона
Емкость бака грязной воды	200 л/53 галлона
Ширина щетки	980мм/35,58 дюйма
Диаметр щетки/подкладки	508 мм × 2/20 дюймов × 2
Давление щетки/подкладки (макс.)	90 кг/198 фунтов
Мощность двигателя щетки (ВХОД)	2 × 1000 Вт/2 × 1,3 л. с.
Скорость щетки в нормальном режиме	240 об/мин
Скорость щетки в режиме ЕСО	175 об/мин
Поток раствора (макс.) в соответствии с настройкой	1,6/2,3/3,3/4,6 л / 0,42/0,61/0,87/1,22 галлона
Уровень поверхностного звукового давления (один вакуумный мотор)	72 ± 3 дБА
Уровень поверхностного звукового давления (два вакуумных мотора) (*)	75 ± 3 дБА
Уровень поверхностного звукового давления в режиме ЕСО или в бесшумном режиме	69 ± 3 дБА
Мощность вакуумного двигателя	600 Вт/0,8 л. с.
USB-зарядка	5 В 2,4 А МАКС.
Производительность (макс.)	7840 м ³ /ч/84 389 футов ³ /ч
Рабочая скорость машины	0–8 км/0–5 мили в час
Скорость движения вперед	0–8 км/0–5 мили в час
Скорость движения задним ходом	0–5 км/0–3,1 мили в час
Мощность приводного двигателя (ВХОД)	1600 Вт/2,1 л. с.
Минимальная ширина для разворота	2650 мм/104 дюйма
Способность к преодолению уклона (макс.) в режиме транспортировки	20%
Способность к преодолению уклона (макс.) в рабочем режиме	16%
Диаметр заднего колеса	340мм/13,4 дюйма
Удельное давление ведущего колеса на пол	0,68 Н/мм ²
Диаметр переднего колеса	250 мм/10 дюйма
Удельное давление переднего колеса на пол	0,62 Н/мм ²
Уровень вибрации рукоятки (макс.)	<2,5 м/с ²
Размер отсека для батарей без поддона (Д × Ш × В)	680 × 560 × 450 мм/26,7 × 22 × 17,7 дюйма
Размер отсека для батарей с поддоном (Д × Ш × В) (*)	665 × 550 × 430 мм/26,1 × 21,6 × 16,9 дюйма
Длина машины без переднего бампера	1875мм/73,8 дюйма
Ширина машины без скребка	1077мм/42,4 дюйма
Высота машины	1350 мм/53 дюйма
Высота машины (С защитной крышей над сиденьем оператора)	1955 мм/77 дюйма
Вес машины с пустыми баками (без батарей)	398 кг/853,6 фунта
Максимальный общий вес (МОВ)	870 кг/1914 фунта
Максимальный общий вес (МОВ) (С защитной крышей над сиденьем оператора)	897 кг/1973 фунта
Вес при отправке	490 кг/1078 фунта
Размеры упаковки (Д × Ш × В)	2110 × 1220 × 1535 мм/83 × 48 × 60,4 дюйма

(*) : Опционально

РУКОВОДСТВО ПО ЭКСПЛУАТАЦИИ

**ПРЕДУПРЕЖДЕНИЕ!**

На некоторых частях машины наклеены таблички, означающие:

- ОПАСНОСТЬ!
- ПРЕДУПРЕЖДЕНИЕ!
- ВНИМАНИЕ!
- КОНСУЛЬТАЦИЯ

При чтении данного руководства, оператор должен обратить особое внимание на символы, указанные на табличках. Не закрывайте данные таблички по какой-либо причине и немедленно замените их в случае повреждения.

ПРОВЕРКА/УСТАНОВКА БАТАРЕЙ НА НОВОЙ МАШИНЕ

**ПРЕДУПРЕЖДЕНИЕ!**

Электрические компоненты машины могут быть серьезно повреждены, если батареи неправильно установлены или подключены. Батареи должны устанавливаться только квалифицированным персоналом. Установите аккумулятор зарядного устройства в зависимости от типа используемых батарей (ЖИДКИЕ или ГЕЛЕВЫЕ/AGM батарей/DIS/ENE). Проверьте батареи на наличие повреждений перед установкой. Отсоедините разъем батарей и штекер зарядного устройства. Обращайтесь с батареями с большой осторожностью. Установите защитные колпачки клемм батарей, поставляемые вместе с машиной.

**ПРИМЕЧАНИЕ.**

Для работы машины требуется шесть батарей 6 В, подключенных и установленных в положениях, показанных на рис. 5.

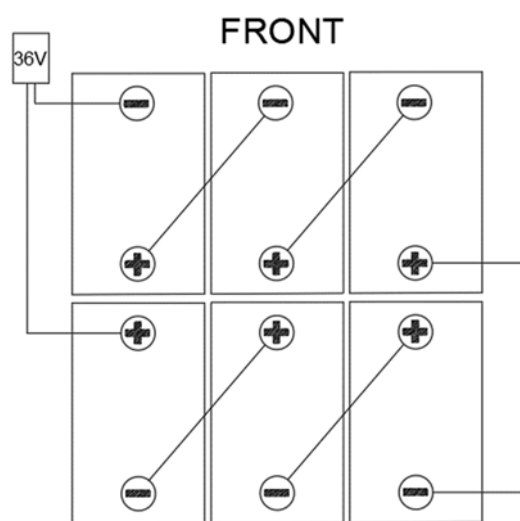


Рис. 5

На машине уже установлены батареи

1. Убедитесь, что разъем батареи подключен.
2. При первом использовании машины с новыми батареями выполните полный цикл зарядки (см. процедуру в главе «Техническое обслуживание»).

Батареи отсутствуют

1. Приобретите подходящие батареи (см. раздел «Технические данные»). Для выбора батареи и установки обратитесь к квалифицированным дистрибьюторам батарей.
2. Установите настройку типа батареи, выполнив описанную ниже процедуру.

УСТАНОВКА БАТАРЕЙ И ТИПОВАЯ НАСТРОЙКА БАТАРЕЙ (КИСЛОТНЫЕ ИЛИ ГЕЛЕВЫЕ/AGM/DIS/ENE)**Установка батарей**

1. Откройте левую и правую защелки (7, рис. 1).
2. Откройте крышку бака грязной воды (5, рис. 1) и убедитесь, что бак (8, рис. 1) пустой; в противном случае слейте из него воду при помощи сливного шланга (38, рис. 2).
3. Закройте крышку бака грязной воды (5, Рис. 1).
4. Аккуратно поднимите бак (8, Рис. 1)
5. Отсоедините кабель бака для грязной воды и снимите бак грязной воды в сборе.
6. Выверните один винт кабеля бака для грязной воды (31, рис. 2), а затем заверните его обратно.
7. Выверните четыре винта с нижней части бака для грязной воды.

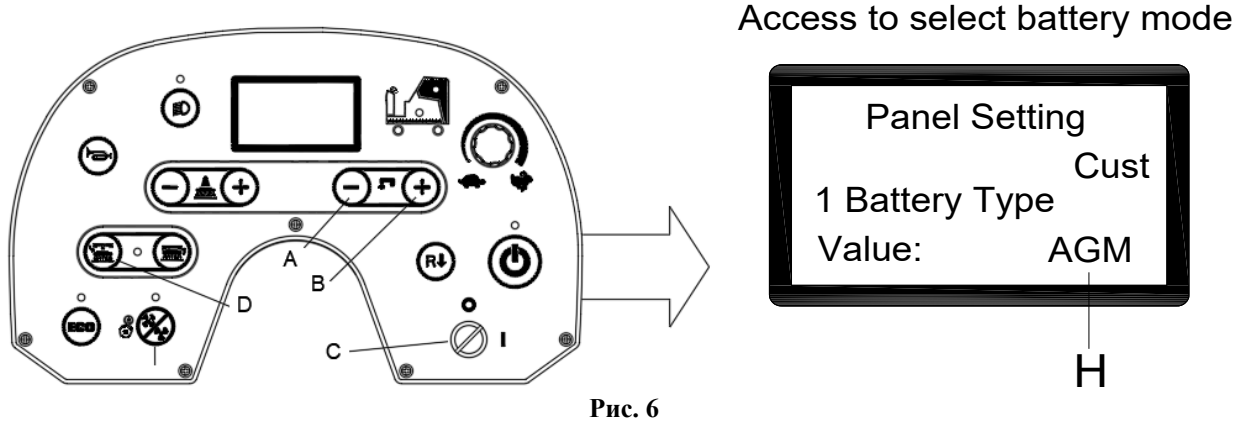
Машина оснащена кабелями, подходящими для установки двух 6 В батарей. Аккуратно вставьте батареи в отсек, затем правильно установите их, как показано на рис. 5. Правильно разместите установочную пластину батарей.

8. Направьте и установите кабель батарей, как показано на рис. 5, затем аккуратно зафиксируйте гайку на каждом выводе батарей.

9. На каждый вывод поместите защитный колпачок, затем подсоедините разъем батарей к машине.
10. Соберите бак для грязной воды в обратном порядке разборки.
11. Аккуратно опустите бак грязной воды.

**Настройка типа батареи (ВЛАЖНАЯ/ГЕЛЕВАЯ/AGM/DIS/ENE)
Доступ к выбору режима батареи**

Настройте машину следующим образом в соответствии с типом батарей (ЖИДКИЕ или ГЕЛЕВЫЕ/AGM/DIS/ENE):



1. Одновременно нажмите кнопку расхода воды «->» (А, рис. 6) и «+» (В, рис. 6).
2. Вставьте ключ зажигания (С, рис. 6) и поверните его в положение «I».
3. Через несколько секунд экран перейдет в режим выбора батареи (рис. 6).
4. Нажмите кнопку расхода воды «->» (А, рис. 6) и «+» (В, рис. 6), чтобы выбрать режим работы от батареи (Н, рис. 6).
5. Нажмите кнопку отпущания (D, рис. 6), Через 3 секунды отобразится сообщение «Update OK» (Обновление выполнено) — оно означает, что настройка установлена успешно. Включите машину для повторного запуска. (С, рис. 6).

Зарядка батарей

Полностью зарядите батареи (см. процедуру в главе «Техническое обслуживание»).

Разрядка батарей

Если отображается низкий уровень заряда батарей (G, рис. 7), необходимо зарядить батареи. Если отображается низкий уровень заряда батарей (H, рис. 7), необходимо зарядить батареи. Через несколько секунд после отображения низкого уровня заряда моторы щетки автоматически отключаются, а приводная система продолжает работать. Незамедлительно переместите машину в определенное место зарядки.



УСТАНОВКА И СНЯТИЕ ЩЕТКИ/ШТАТИВА ПОДКЛАДКИ



ПРИМЕЧАНИЕ.

Установите щетку (А, Рис. 8) или подкладку (В и С, Рис. 8) в соответствии с типом пола для уборки.



ВНИМАНИЕ!

Перед установкой или снятием щетки или пэд убедитесь, что все переключатели на машине находятся в выключенном положении и всасывающий скребок поднят с пола. Оператор должен быть оснащен подходящими средствами индивидуальной защиты, такими как перчатки, чтобы уменьшить риск несчастных случаев.

Выполните следующие действия:

УСТАНОВКА:

1. Вставьте ключ зажигания (53, рис. 3) и поверните его в положение «I». Поднимите деку.
2. Разместите щетки (А, рис. 8) или держатели пэдов (В, рис. 8) под щеточной декой. Используйте установочный упор щетки (D, рис. 8), чтобы найти и установить правильное положение щетки/держателя подушечки.
3. Для щетки/держателя пэда поднимите деку, нажав на кнопку разблокировки щетки/пэда (F, рис. 8), после чего щетка/пэд подкладки будут автоматически разблокированы. Показано направление вращения (рис. 8). Светодиодный индикатор будет мигать.

СНЯТИЕ:

1. Вставьте ключ зажигания (53, рис. 3) и поверните его в положение «I». Убедитесь, что щетка/держатель колодки находится в поднятом положении (UP) положении. Для щетки/держателя пэда поднимите деку, нажав на кнопку разблокировки щетки/пэда (Е, рис. 8), после чего щетка/пэд подкладки будут автоматически разблокированы. Светодиодный индикатор будет мигать.

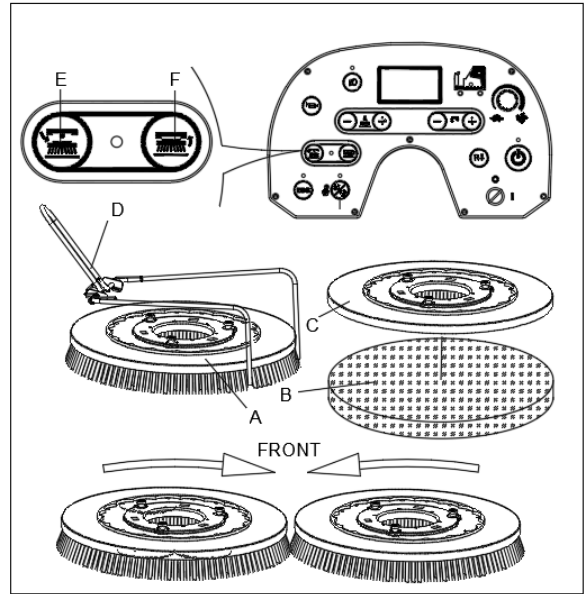


Рис. 8

Если нажать на кнопку отсоединения щетки и затем на кнопку подсоединения щетки, необходимо выключить и включить зажигание, после чего машина снова будет готова к работе.

РЕГУЛИРОВКА УРОВНЯ БОКОВЫХ БРЫЗГОВИКОВ

Высота брызговика должна контролироваться и регулироваться. Во время очистки машины проверьте работу боковых брызговиков.

- А. Если брызговики подняты слишком высоко, зазор между брызговиком (D) и полом будет оставлять воду на полу во время поворотов.
- В. Если брызговики опущены слишком низко, брызговик (D) будет отклоняться слишком далеко, оставляя воду во время поворотов и сокращая срок службы брызговика.
- С. Правильная регулировка — это когда брызговики слегка соприкасаются с полом спереди и сзади брызговика.

Порядок регулировки:

1. Убедитесь, что дека находится в поднятом (UP) положении.
2. Ослабьте верхние стопорные гайки (А) и снимите брызговик в сборе.
3. Отрегулируйте нижние стопорные гайки (В) вверх/вниз.
4. Установите на место брызговик в сборе и проверьте регулировку.
5. Повторите шаги 3 и 4 по мере необходимости до тех пор, пока не будет выполнена правильная регулировка брызговика.
6. Затяните верхние стопорные гайки (А), чтобы зафиксировать регулировку.
7. Повторите процедуру на другой стороне брызговика.

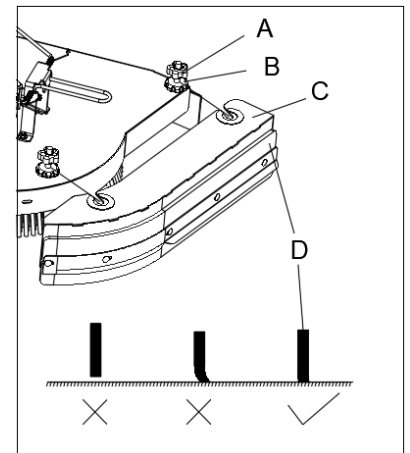


Рис. 9

РЕГУЛИРОВКА БАЛАНСА СКРЕБКА

1. Установите скребок и затяните гайки (С, рис. 10), а затем подключите вакуумный шланг (В) к скребку.
2. Отрегулируйте скребок при помощи регулировочной ручки скребка (А).
 - а) При наличии зазора между землей и средней части заднего лезвия скребка (Е), отрегулируйте ручку (А) в направлении против часовой стрелки (Н), пока все секции заднего лезвия скребка не будут плотно прилегать к полу, а переднее лезвие не будет слегка касаться поверхности.
 - б) Если есть разрыв между полом и обеими концевыми секциями заднего лезвия (С и D), отрегулируйте ручку (А) в направлении по часовой стрелке (Е), пока все секции заднего лезвия не будут хорошо соприкасаться с поверхностью, а переднее лезвие не будет слегка касаться пола.

При необходимости отрегулируйте высоту всего узла скребка, установив нужную высоту колеса ролика (К).

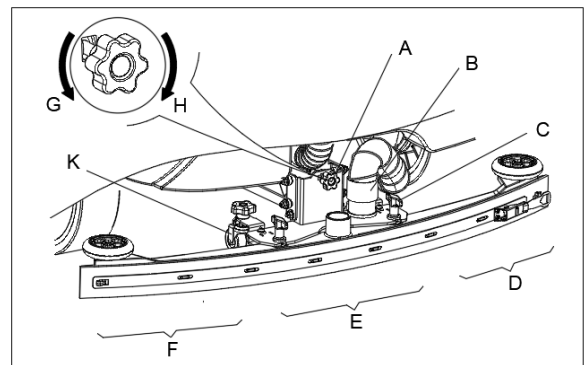


Рис. 10

НАПОЛНЕНИЕ БАКА РАСТВОРА

1. Откройте крышку заливного отверстия для воды (А, рис. 11).
2. Залейте воду или раствор, подходящий для выполнения работы, через заливное отверстие для воды через фильтр.
Температура раствора не должна превышать +40 °С (+104 °F).
3. Не переполняйте бак, следите за индикатором уровня воды (D).



ПРЕДУПРЕЖДЕНИЕ!

Используйте только малопеняющиеся и невоспламеняющиеся моющие средства, предназначенные для автоматических поломоечных машин.

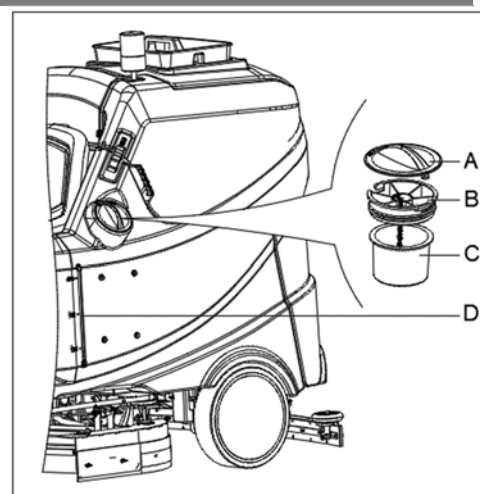


Рис. 11

ПРОВЕРКА ПРИВОДНОГО ДВИГАТЕЛЯ И МЕХАНИЧЕСКИХ ТОРМОЗОВ

1. Поверните ключ зажигания (А, рис. 12) в положение “I”, займите сиденье (С).
2. Слегка нажмите педаль привода (D) слегка, затем ослабьте ее, чтобы проверить, может ли машина двигаться вперед и останавливаться.
3. Чтобы убедиться в безопасности, проверьте, действительно ли машина может быть немедленно остановлена нажатием аварийной кнопки (В). Поверните кнопку аварийной остановки, чтобы отменить ее.
4. Быстро нажмите на педаль механического тормоза (F), чтобы проверить, можно ли немедленно остановить машину.



ПРЕДУПРЕЖДЕНИЕ!

Рабочая грузоподъемность не должна превышать 16 %. При работе на уклоне следует поддерживать защелки резервуара в зацеплении (7, рис. 1). Для безопасности никогда не останавливайте его на склоне.

При подъеме на склон с максимальным уклоном 20 % заранее отрегулируйте потенциометр ограничения скорости до положения максимальной скорости. При подъеме по склону нажмите на педаль акселератора до упора.

При очистке на склоне с максимальным уклоном 16 % заранее отрегулируйте положение потенциометра ограничения скорости. Если на дисплее отображается сообщение «Error 4, Tra Overload», отрегулируйте давление щетки до минимальной настройки.

Если вы обнаружите, что скорость машины замедляется и приближается к состоянию остановки в процессе подъема по склону, и на дисплее отображается сообщение «Error 4, Tra Overload», незамедлительно отпустите педаль акселератора и нажмите на механический тормоз.

Если в процессе подъема по склону отображается сообщение «Error 4, Tra Overload», незамедлительно остановитесь и нажмите на механический тормоз, поверните ключ зажигания в положение выключения, а затем включите ключ зажигания, чтобы перезапустить и отменить подъем. Отрегулируйте потенциометр ограничения скорости в положение медленной скорости, а затем нажмите кнопку движения назад, отпустите механический тормоз, слегка нажмите на педаль акселератора, чтобы машина могла медленно двигаться назад до тех пор, пока не будет достигнут более низкий уклон.



ОСТОРОЖНО!

Электрический тормоз мотора двигателя отключен, когда двигатель работает. В некоторых особых случаях, таких как упаковка/распаковка машины, неисправность машины и т. д., может потребоваться толкнуть машину. На приводном двигателе (G, рис. 12) нажмите на ручку тормоза (H, рис. 12), тормоз машины будет отпущен и машина сможет перемещаться. После завершения, отодвиньте ручку назад, чтобы машина могла работать.

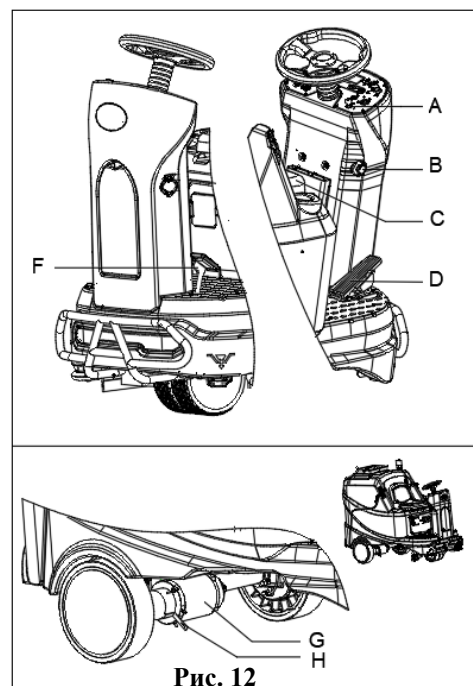


Рис. 12

ЗАПУСК И ОСТАНОВКА МАШИНЫ

Запустите машину

1. Подготовьте машину, как показано в предыдущем пункте.
2. Займите сиденье (K, рис. 13), вставьте ключ зажигания (J, рис. 13) и поверните его в положение "I". Проверьте состояние батарей на экране дисплея. При необходимости зарядите батареи (см. процедуру в главе «Техническое обслуживание»).
3. Отвезите машину на рабочую территорию:

Направление движения вперед/назад можно регулировать с помощью переключателя (H, рис. 13). Скоростью движения машины можно управлять с помощью регулировочного устройства (E, рис. 13).

4. Нажмите кнопку быстрого запуска One-Start (G, рис. 13), чтобы запустить машину, скребок и щетки автоматически опускаются на пол, и начинает работать вакуумный двигатель.
5. Нажмите нужные контрольные кнопки подачи раствора (F, рис. 13) в зависимости от типа уборки.
6. Нажмите педаль акселератора (Q, рис. 13) и начните очистку.
7. Вы можете зарядить свой телефон или планшет через USB-порт зарядки (M, рис. 13), когда ключ зажигания (J, рис. 13) находится в положении «I».
8. Нажмите кнопку звукового сигнала (B, рис. 13), чтобы предупредить людей, когда это необходимо.
9. При необходимости, нажмите кнопку аварийной остановки (N, рис. 13) для аварийной остановки машины.
10. При необходимости нажмите кнопку передних фар (C, рис. 13) для освещения темных зон или для предупреждения пешеходов.
11. При необходимости отрегулируйте положение сиденья (K, рис. 13), повернув вправо ручку справа от сиденья, затем передвиньте сиденье в нужное положение.



ПРИМЕЧАНИЕ.

Мотор щетки, вакуумный мотор, мотор двигателя и схема управления находятся под защитой защиты от перегрузки (P, рис. 13). При отключении защиты от перегрузки, не включайте ее заново сразу, не обнаружив первопричину, и убедитесь, что двигатель остыл перед повторным включением.

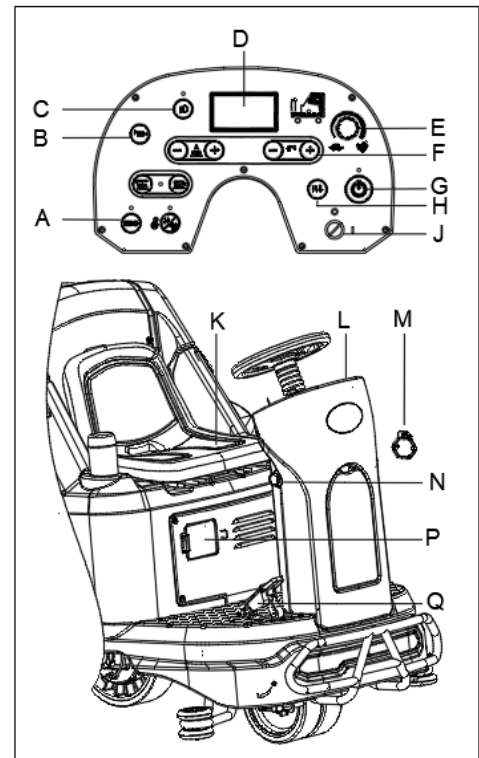


Рис. 13

Остановите машину.

12. Отпустите педаль акселератора (Q, рис. 13), машина перестанет работать.
13. Нажмите кнопку быстрого запуска One-Start (G, рис. 13), чтобы остановить щетки и вакуумный двигатель. Щетки и скребки автоматически поднимаются над уровнем пола. Вакуумная система остановится через несколько секунд.
14. Поверните ключ зажигания в положение «0».
15. Убедитесь, что машина не может двигаться самостоятельно.

РАБОТА МАШИНЫ (ЧИСТКА И СУШКА)

1. Запустите машину в соответствии с процедурами в предыдущих пунктах.
2. Начните уборку, следуя процедурам, приведенным в разделе «Запуск машины».
3. При необходимости остановите машину, чтобы отрегулировать брызговики в соответствии с разделом «Регулировка уровня брызговиков».
4. В случае необходимости, остановите машину, чтобы отрегулировать скребок в соответствии с разделом «Регулировка угла скребка».



ПРИМЕЧАНИЕ.

Для правильной чистки скребком/сушки пола со стороны стен рекомендуется располагать машину правой стороной к стене (рис. 14), как показано на рисунке.

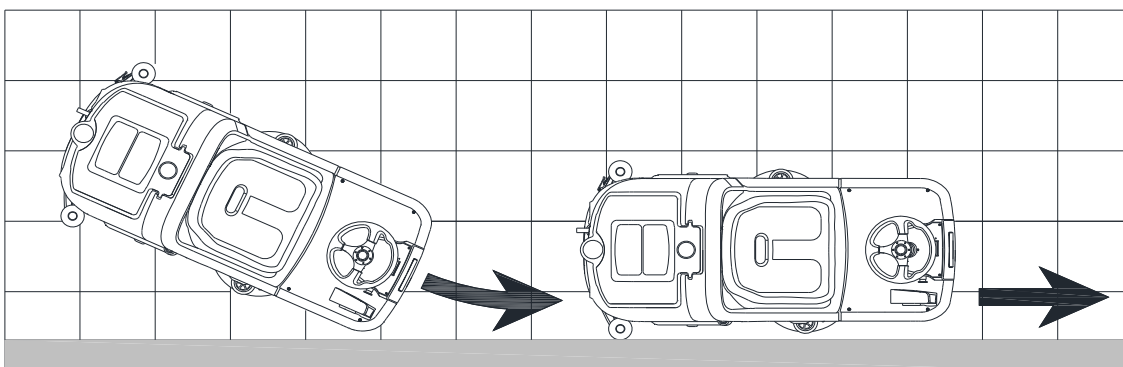


Рис. 14

СЛИВ БАКА

Слив бака утилизации

Когда на многофункциональном дисплее (47, рис. 3) отображается сообщение ERROR24 и включается индикатор заполнения бака для регенерации (48, рис. 3). Указывает на то, что бак для регенерации (С, рис. 15) заполнен, вакуумный двигатель больше не может осушать пол. Опорожните бак для грязной воды следующим образом:

1. Остановите машину.
2. Поднимите щеточную деку и скребок, нажав кнопку быстрого запуска One-Start (51, рис. 3).
3. Переместите машину в определенное место утилизации.
4. Слейте воду из бака грязной воды при помощи шланга (D, рис. 15). Затем промойте бак (С, рис. 15) чистой водой.



ВНИМАНИЕ!

При сливе сточных вод удерживайте дренажный шланг высоко и сложите его над верхней секцией, чтобы избежать пролива на оператора.

Слив бака раствора/чистой воды

1. Слейте воду из бака раствора через крышку слива (А, рис. 15). После эксплуатации промойте бак чистой водой.

ПОСЛЕ ИСПОЛЬЗОВАНИЯ МАШИНЫ

После эксплуатации, перед оставлением машины:

1. Снимите щетки/пэды, нажав на кнопку разблокировки (56, рис. 3), и очистите их (только для дисковой машины).
2. Слейте воду из бака (В и С, рис. 15), как показано в предыдущем пункте.
3. Выполните ежедневные процедуры обслуживания (см. главу «Техническое обслуживание»).
4. Храните машину в чистом и сухом месте, с поднятыми или извлеченными щетками/штативами подкладки и скребками.
5. Для удержания крышки в открытом положении используйте опору крышки бака для грязной воды. Это поможет предотвратить появление запахов внутри.

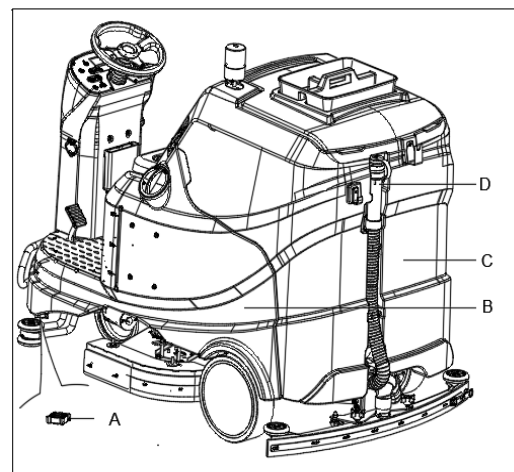


Рис. 15

ХРАНЕНИЕ МАШИНЫ В СЛУЧАЕ ПРОДОЛЖИТЕЛЬНОГО ПЕРЕРЫВА В ЭКСПЛУАТАЦИИ

Если машина не будет использоваться дольше, чем 30 дней, выполните следующее:

1. Выполните процедуры, указанные в пункте «После использования машины».
2. Отсоедините разъем батареи.

ПЕРВЫЙ ПЕРИОД ИСПОЛЬЗОВАНИЯ

После первых 8 часов, проверьте крепежные и соединительные детали для надежной фиксации и проверьте видимые части на отсутствие износа и утечки.

ТЕХНИЧЕСКОЕ ОБСЛУЖИВАНИЕ



ПРЕДУПРЕЖДЕНИЕ!

Процедуры технического обслуживания должны выполняться после выключения машины и кабель зарядного устройства должен быть отсоединен. Кроме того, обязательно ознакомьтесь с главой по технике безопасности в данном руководстве.

Все запланированные или чрезвычайные процедуры технического обслуживания должны выполняться квалифицированным персоналом или авторизованным сервисным центром. Это руководство описывает только основные и общие процедуры обслуживания.

Для получения информации о других процедурах технического обслуживания, которые не указаны в таблице графика технического обслуживания, свяжитесь с нашим отделом технической поддержки.

ТАБЛИЦА ПЛАНОВОГО ТЕХНИЧЕСКОГО ОБСЛУЖИВАНИЯ

**ВНИМАНИЕ!**

Процедура, отмеченная (1) должна быть выполнена, когда машина используется после 8 часов в первый раз. Процедура с пометкой (2) должна быть сделана Сервисным центром, который квалифицирован нашей компанией.

Процедура	Ежедневно, после каждого использования	Еженедельно	Два раза в год	Раз в год
Зарядка батареи				
Очистка лезвий скребка				
Очистка щетки/держателя колодки				
Очистка бака				
Осмотр уплотнения бака грязной воды				
Очистка блока для сбора мусора				
Очистка щетки/пэда				
Очистка брызговиков				
Проверка и замена лезвий скребка				
Очистка фильтра моющего средства				
Очистка фильтра впуска пылесоса				
Проверка уровня электролита (только на кислотных батареях)				
Осмотр герметичности винтов и гаек			(1)	
Добавление смазочного масла для вращающихся деталей (например, тормозной жидкости)			(1)	
Проверка или замена угольных щеток мотора щетки				(2)
Проверка или замена угольных щеток вакуумного мотора				(2)
Проверка или замена угольных щеток приводной системы				(2)

ÚVOD**UPOZORNENIE!**

Niektoré všeobecné a podrobné informácie o zariadení nie sú obsiahnuté v tejto príručke. Pozrite si PRÍRUČKU SO STRUČNÝM NÁVODOM na dodanom disku CD-ROM, na ktorej prečítanie potrebujete Adobe® Reader®.

**POZNÁMKA**

Čísla v zátvorke sa vzťahujú na komponenty zobrazené v kapitole Popis zariadenia.

CIEĽ A OBSAH PRÍRUČKY

Účelom týchto pokynov pre použitie je poskytnúť operátorovi všetky základné informácie a technické vlastnosti, prevádzku, nečinnosť stroja, náhradné diely a bezpečnostné podmienky atď.

Pred vykonaním akéhokoľvek úkonu na zariadení si operátori a kvalifikovaný technický personal musí prečítať Používateľskú príručku. V prípade pochybností týkajúcich sa interpretácie pokynov, alebo ak potrebujete ďalšie informácie, kontaktujte našu spoločnosť.

AKO UCHOVÁVAŤ TIETO POKYNY PRE POUŽITIE

Pokyny pre použitie odkladajte v puzdre do blízkosti zariadenia, v dostatočnej vzdialenosti od kvapalín a iných látok, ktoré by mohli spôsobiť jej poškodenie.

VYHLÁSENIE O ZHODE

Vyhlásenie o zhode je dodávané spolu so zariadením, a certifikuje zhodu zariadenia s platnými právnymi predpismi.

**POZNÁMKA**

Kópie originálneho vyhlásenia o zhode sú dodávané spolu s dokumentáciou zariadenia.

PRÍSLUŠENSTVO A ÚDRŽBA

Akúkoľvek operáciu, údržbu alebo opravu smie vykonať len kvalifikovaný personál, alebo servisné centrum vymenované našou spoločnosťou. Smú sa používať LEN originálne alebo schválené súčiastky.

Kontaktujte službu zákazníkom našej spoločnosti, ak potrebujete kúpiť príslušenstvo alebo náhradné diely.

ZMENA A VYLEPŠENIE

Zaväzujeme sa o neustále zlepšovanie našich výrobkov a spoločnosť si vyhradzuje právo na zmeny a vylepšenia zariadenia bez predchádzajúceho upozornenia.

ROZSAH POUŽITIA

Podlahový čistič je určený na komerčné a priemyselné použitie. Je vhodný na čistenie hladkých a spevnených povrchov za použitia kvalifikovanou osobou v bezpečných podmienkach. Nie je vhodný na vonkajšie použitie ani na čalúnenie alebo drsné povrchy.

IDENTIFIKAČNÉ ÚDAJE ZARIADENIA

Sériové číslo a názov modelu zariadenia sú uvedené na sériovom štítku.

Táto informácia je užitočná. Z tabuľky nižšie si vypíšte identifikačné údaje zariadenia pre prípad objednávanie náhradných dielov.

MODEL ZARIADENIA.....
SÉRIOVÉ ČÍSLO ZARIADENIA.....

PRENÁŠANIE A ROZBALENIE

Po doručení zariadenia sa uistite, že je baliaci materiál neporušený a zariadenie nepoškodené. Ak sa zistí akékoľvek poškodenie, informujte prepravcu o poškodení pred prevzatím tovaru, vyhradte si právo na náhradu škody.

Pri rozbaľovaní zariadenia postupujte podľa pokynov na baliacom materiáli.

Skontrolujte, či balenie obsahuje nasledujúce položky:

1. Technická dokumentácia - Návod na používanie.
2. Komponenty na pripojenie batérie.
3. Príručka k nabíjačke elektronickej batérie (ak je nainštalovaná) (*)

BEZPEČNOSŤ

Nasledujúce symboly upozorňujú na potenciálne nebezpečné situácie. V záujme ochrany osôb a majetku si vždy pozorne prečítajte tieto informácie a vykonajte všetky potrebné opatrenia.

VIDITEĽNÉ SYMBOLY NA ZARIADENÍ**VAROVANIE!**

Pred vykonaním akejkoľvek operácie so zariadením si pozorne prečítajte všetky pokyny.

**VAROVANIE!**

Neumývajte zariadenie priamym alebo stlačeným prúdom vody.

**VAROVANIE!**

Nepoužívajte zariadenie na svahoch so sklonom vyšším, ako je hodnota uvedená v technických údajoch v časti.

SYMBOLY, KTORÉ SA OBJAVUJÚ V POKYNOCH PRE POUŽITIE**NEBEZPEČENSTVO!**

Upozorňuje na nebezpečnú situáciu s rizikom usmrtenia operátora.

**VAROVANIE!**

Upozorňuje na potenciálne riziko zranenia osôb.

**UPOZORNENIE!**

Označuje výstrahu alebo poznámku súvisiacu s dôležitými alebo užitočnými funkciami. Venujte zvýšenú pozornosť odstavcu s týmto symbolom.

**POZNÁMKA**

Poukazuje na poznámku týkajúcu sa dôležitých alebo užitočných funkcií.

**KONZULTÁCIA**

Ukazuje na nevyhnutnosť pozrieť si Používateľskú príručku pred vykonaním akéhokoľvek úkonu.

VŠEOBECNÉ BEZPEČNOSTNÉ POKYNY

Špecifické varovania a výstrahy upozorňujúce na potenciálne zranenie osôb a poškodenie zariadenia.

**NEBEZPEČENSTVO!**

- Toto zariadenie musí prevádzkovať poučená a autorizovaná osoba podľa usmernení v príručke.
- Pred vykonaním akéhokoľvek čistenia, údržby, opravy alebo zmeny si pozorne prečítajte všetky pokyny, uistíte sa, že ste VYPLI zariadenie a odpojili ste batériu.
- Neprevádzkujte zariadenie v blízkosti toxických, nebezpečných, horľavých a/alebo výbušných práškov, kvapalín alebo výparov. Toto zariadenie nie je vhodné na zber nebezpečných práškov.
- Pri práci v blízkosti elektrických súčiastok nenoste šperky.
- Nepracujte pod zdvihnutým zariadením bez jeho podopretia bezpečnostnými podperami.
- Pri používaní olovených (VLHKÝCH) batérií môžu tieto počas bežného používania vypúšťať horľavé plyny - iskry, plamene, dymiace materiály, ako aj zdroje žiarenia, svetla a ohňa udržiajte v bezpečnej vzdialenosti od batérií.
- Pri nabíjaní olovených (VLHKÝCH) batérií môžu tieto vypúšťať vodíkové plyny, ktoré môžu spôsobiť výbuch. Zabezpečte, aby bolo prostredie nabíjania dobre vetrané a ďalej od ohňa.

**VAROVANIE!**

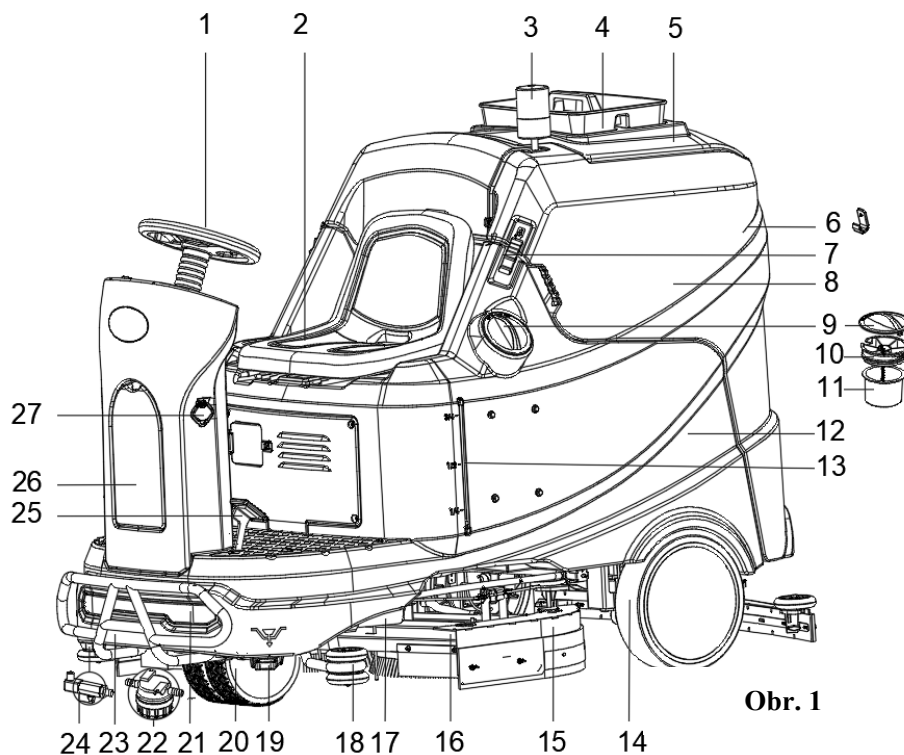
- Toto zariadenie je určené na **KOMERČNÉ POUŽITIE**, napríklad v hoteloch, školách, nemocniciach, továrňach, obchodoch, kanceláriách a prenájmoch.
- Zariadenia ponechané bez dozoru musia byť zabezpečené proti neúmyselnému pohybu.
- Aby sa zabránilo neoprávnenému použitiu zariadenia, zdroj energie sa musí vypnúť alebo zablokovať, napríklad vytiahnutím kľúča z hlavného vypínača alebo kľúča zapalovania.
- Pred každým použitím dôkladne skontrolujte zariadenie. Uistíte sa, že boli všetky súčiastky správne zabudované. Uvoľnené komponenty môžu spôsobiť riziko zranenia osôb a škôd na majetku.
- Nikdy nepremiestňujte zariadenie jeho ťahaním za kábel nabíjačky. Nevedzte kábel cez zatvorené dvere, ani ho nenavíjajte okolo ostrých hrán alebo rohov. Neprechádzajte so zariadením cez kábel nabíjačky batérie. Držte kábel nabíjačky batérie ďalej od horúcich povrchov.
- Nenabíjajte batérie, ak sú kábel alebo zástrčka kábla batérie poškodené.
- Aby ste znížili riziko požiaru, poranenia elektrickým prúdom alebo zranenia, uistíte sa, že zariadenie vypnete, predtým, než odídete.
- Používajte a skladujte zariadenie v interiéri v suchom prostredí, nie je povolené používať ho vonku.
- Skladovacia a prevádzková teplota zariadenia musí byť medzi 0 °C a +40 °C, vlhkosť vzduchu musí byť medzi 30 % a 95 %.
- Nepoužívajte zariadenie na šikmých plochách s prevýšením vyšším, ako je uvedené v technických údajoch.
- Pri používaní a narábaní s prostriedkami na čistenie podlahy dodržiavajte pokyny na štítkoch na obaloch týchto prostriedkov a noste vhodné rukavice a iné ochranné prostriedky.
- Používajte kefy a mopy dodané so zariadením alebo definované v tejto príručke. Používaním iných kief alebo mopov môžete znížiť bezpečnosť.
- V prípade nesprávneho fungovania zariadenia sa uistíte, že to nie je v dôsledku nedostatočnej údržby. Ak je to potrebné, požiadajte o pomoc autorizovanú osobu alebo autorizované Servisné centrum.
- Vykonajte všetky nevyhnutné opatrenia, aby sa vlasy, šperky a voľné oblečenie nezachytili do pohyblivých častí zariadenia.
- Nepoužívajte zariadenie na obzvlášť prašných miestach.

- Neumývajte zariadenie priamym alebo stlačeným prúdom vody, ani korozívnymi zmesami.
- Nevrážajte do regálov alebo lešení, predovšetkým tam, kde je riziko padajúcich predmetov.
- Neopierajte nádoby s tekutinami o zariadenie, používajte príslušný držiak na nádoby.
- Aby ste sa vyhli poškodeniu podlahy, nenechávajte kefu/pad pracovať, keď zariadenie nie je v pohybe.
- V prípade ohňa použite suchý práškový hasiaci prístroj. Nepoužívajte tekuté hasiace prístroje.
- Neodstraňujte ani neupravujte nálepky na zariadení.
- Nezasahujte do bezpečnostných krytov zariadenia a dôsledne dodržiavajte pokyny pre plánovanú údržbu.
- Venujte pozornosť pri prevoze zariadenia, keď je teplota pod bodom mrazu. Voda v nádrži na špinavú vodu a v hadiciach by mohla zamrznúť a spôsobiť na zariadení vážne škody.
- Ak je potrebné vymeniť náhradné diely, objednajte ORIGINALNE náhradné diely od Autorizovaných predajcov.
- Ak zariadenie nefunguje ako zvyčajne alebo je poškodené, vráťte ho do servisného centra.
- Na zaistenie správneho a bezpečného fungovania zariadenia musí vykonať plánovanú údržbu podľa príslušnej kapitoly tohto návodu autorizovaná osoba alebo autorizovaný predajca alebo maloobchodník.
- Zariadenie musí byť riadne zlikvidované kvôli prítomnosti škodlivých toxických materiálov (batérie a pod.), ktoré podliehajú normám vyžadujúcim likvidáciu v špeciálnych strediskách (viď kapitola Likvidácia).
- Tento stroj je iba čistiacim nástrojom, ktorý nie je určený na žiadne iné účely.
- Vždy udržiavajte otvory čisté bez prachu, chlpkov a iných cudzích materiálov, ktoré by mohli znížiť prietok vzduchu. Nepoužívajte zariadenie, ak sú otvory upchaté.
- Zariadenie používajte len tam, kde je riadne osvetlenie.
- Toto zariadenie nie je určené na používanie osobami (vrátane detí) so zníženými fyzickými, zmyslovými alebo mentálnymi schopnosťami alebo s nedostatkom skúseností a znalostí.
- Pri používaní v blízkosti detí je potrebná zvýšená pozornosť.
- Deti musia byť pod dozorom, aby sa zaistilo, že sa so zariadením nehrajú.
- Počas používania tohto zariadenia buďte opatrní, aby ste nespôsobili škody na osobách ani predmetoch.
- Čistenie a údržbu používateľa nesmú vykonávať deti bez dozoru.
- Operátori musia byť primerane poučení o používaní týchto strojov.
- Nepoužívajte stroj bez ochrannej konštrukcie proti padajúcim predmetom (FOPS) v oblastiach, kde je pravdepodobné, že operátora zasiahnu padajúce predmety.

POPIS ZARIADENIA

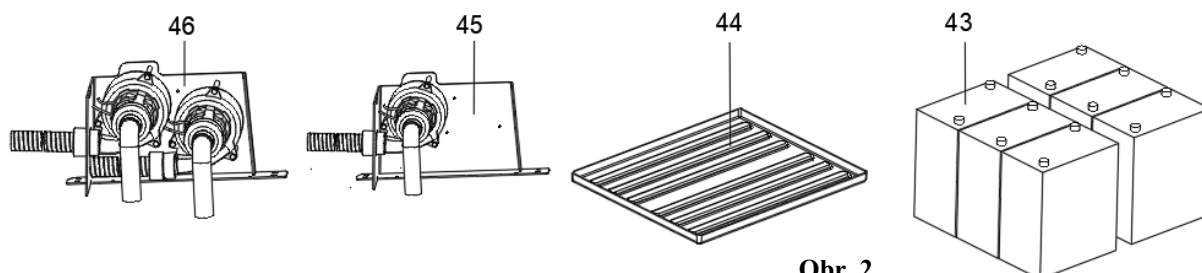
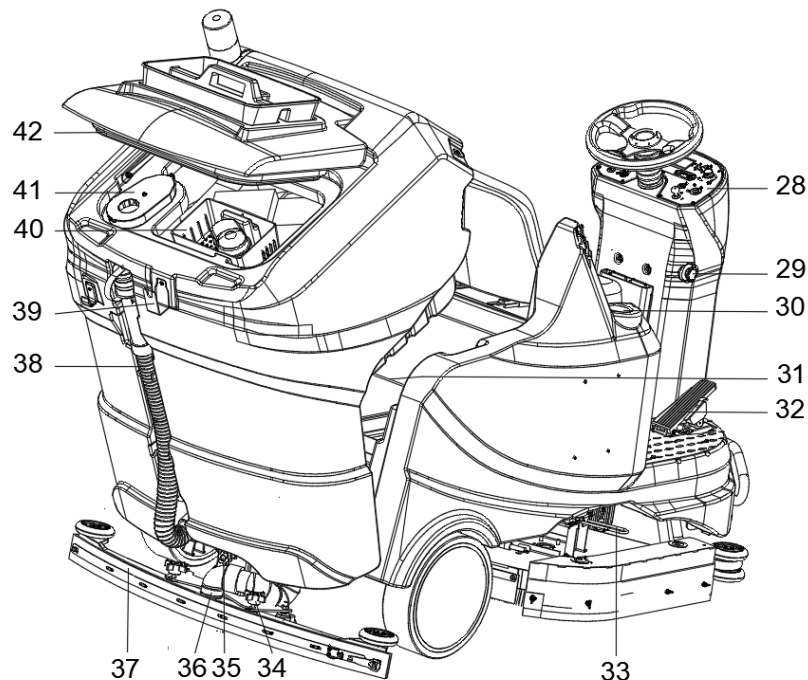
ŠTRUKTÚRA STROJA* - voliteľné

1. Volant
2. Nastaviteľné sedadlo (s bezpečnostným spínačom)
3. Výstražné svetlo
4. Obslužný nosič (*)
5. Vrchnák nádrže na špinavú vodu
6. Hák
7. Západka (2x)
8. Nádrž na špinavú vodu
9. Kryt filtra
10. Držiak plniacej hadice
11. Opora filtra
12. Nádrž na roztok
13. Hladina vody v rúre
14. Zadné kolesá (s mechanickou brzdou)
15. Bočné ochranné zásteny
16. Zostava kefy
17. Čerpadlo
18. Kolesá nárazníka
19. Kryt vypúšťacej nádrže na roztok
20. Predné kolesá
21. Predné svetlá
22. Filter na roztok
23. Predný nárazník
24. Uzatvárací ventil roztoku
25. Pedál mechanickej brzdy
26. Interný kryt úložiska
27. USB nabíjací port



Obr. 1

28. Ovládací panel
29. Núdzový vypínač
30. Držiak na pohár
31. Podporný kábel záchytného zásobníka
32. Pedál akceleračora
33. Zastavenie inštalácie skrutkovača kefy/podložky
34. Matice lišty
35. Gombík na nastavenie uhla lišty
36. Sacia hadica lišty
37. Lišta
38. Odtoková hadica na špinavú vodu
39. Hák stierača
40. Zberná nádoba na špinu
41. Filter nasávania
42. Tesnenie krytu nádrže
43. Batérie (neuvádza sa)
44. Zásobník na batérie (*)
45. Sací systém
46. Dvojitý vákuový systém (*)



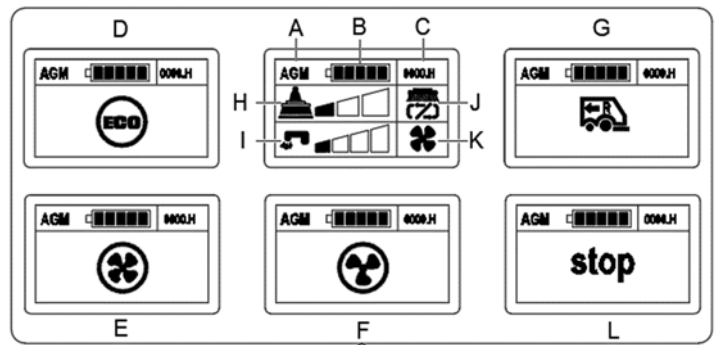
Obr. 2

OVLÁDACÍ PANEL (ako je uvedené)

47. Multifunkčný displej

Zobrazené položky:

- A) Typ batérie
- B) Úroveň nabitia batérie
- C) Počet odpracovaných hodín
- D) Režim ECO
- E) Normálny sací režim
- F) Tichý sací režim
- G) Spätný režim
- H) Pretlak aktívny
- I) Množstvo toku čistiaceho prostriedku
- J) Pracovný režim kefky
- K) Sací režim
- L) Bezpečnostný spínač sedadla vypnutý



48. Záchytný zásobník je plný/roztok Indikátor prázdneho zásobníka

49. Gombík nastavovania rýchlosti

50. Tlačidlo nastavenia toku roztoku

51. Spustenie jedným tlačidlom

- LED na vyššie uvedenej funkcii tlačidla je zapnuté

- systém vody (úroveň 2)

- tlak na minime (úroveň 1)

- normálny sací režim

52. Tlačidlo dopredu a dozadu

53. Kľúč zapalovania (0 = ZAPNUTÉ I = VYPNUTÉ)

54. Tlačidlo nastavenia sacieho systému (aktivujete stlačením tlačidla po dobu 1 sekundy)

- LED svieti - normálny režim

- LED bliká - tichý režim

55. Tlačidlo režimu ECO

- LED na vyššie uvedenej funkcii tlačidla je zapnuté

- tok vody minimálny (úroveň 1)

- tlak na minime (úroveň 1)

- Sanie v tichom režime.

56. Zapnutie/vypnutie držiaka kefy/podložky

- LED blikanie - Kliknite na aktivované

57. Tlačidlo nastavenia tlaku kefy

58. Tlačidlo klaksóna

59. Tlačidlo predného svetla

60. Kryt zásuvky nabíjačky

61. Ochrana pred preťažením motora kefy (30A)

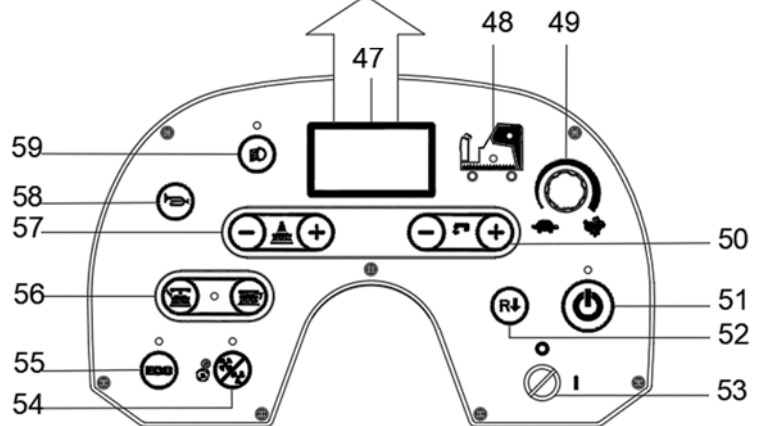
62. Ochrana pred preťažením zdvihu kefy (3A)

63. Zásuvka nabíjačky

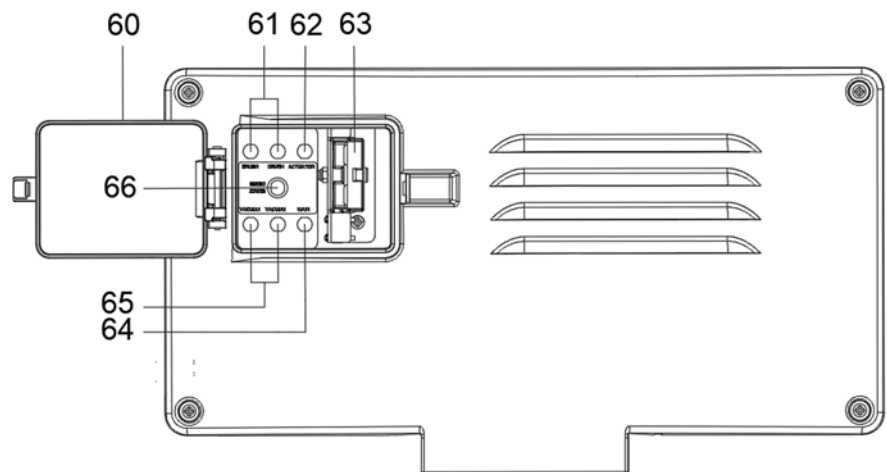
64. Ochrana pred preťažením hlavného riadiaceho obvodu (5A)

65. Ochrana pred preťažením sacieho motora/sacích motorov (30A)

66. Ochrana pred preťažením zdvíhača stierky (3A)



Obr. 3



Obr. 4

TECHNICKÉ PARAMETRE

Typ parametra	AS1050R
Napätie	36 V
Menovitý výkon (VSTUP)	125A/4500W
Trieda ochrany IP	IP24
Kapacita nádrže na roztok	200 l/53 Gal.
Kapacita nádrže na špinavú vodu	200 l/53 Gal.
Šírka čistenia	980mm/35,58 palcov
Priemer kefy/mopu	(508 x 2 mm/20 x 2 palcov)
Tlak kefy/mopu (max)	90 kg/198 lb.
Výkon motora kefy (VSTUP)	2 x 1000 Watt/2 x 1.3 HP
Rýchlosť kief v normálnom režime	240 ot/m
Rýchlosť kief v režime ECO	175 ot/m
Tok roztoku (max.) podľa nastavenia/za minútu	(1,6/2,3/3,3/4,6) litrov/0,42/0,61/0,87/1,22 Gal
Hladina akustického tlaku (jeden vákuový motor)	72 ± 3 dB (A)
Hladina akustického tlaku (dva vákuové motory) (*)	75 ± 3 dB (A)
Hladina akustického tlaku v režime ECO alebo v tichom režime	69 ± 3 dB (A)
Výkon motora vysávača	600 W/0,8 HP
Nabíjanie USB	5V 2,4A MAX.
Produktivita (max)	7840 m ² /hod/84389 stôp ² /hod
Pracovná rýchlosť	0 – 8 km/0 – 5 míľ za hodinu
Rýchlosť dopredu	0 – 8 km/0 – 5 míľ za hodinu
Rýchlosť dozadu	0 – 5 km/0 – 3,1 míľ za hodinu
Výkon hnacieho motora (VSTUP)	1600 W/2,1 HP
Min. otočenie lode	2650mm/104 palcov
Stúpavosť (max) pri transporte	20%
Stúpavosť (max) pri prevádzke	16%
Priemer hnacích kotúčov	340mm/13,4 palcov
Špecifický tlak hnacích kotúčov na podlahu	0,68 N/mm ²
Priemer predných kolies	250 mm/10 palcov
Špecifický tlak predného kolesa na podlahu Špecifický tlak hnacieho kolesa na podlahu	0,62 N/mm ²
Úroveň vibrácií rukoväte (max)	< 2,5 m/s ²
Rozmery priehradky na batérie bez zásobníka (D x Š x V)	(680 x 560 x 450) mm/26,7 x 22 x 17,7 palcov
Rozmery priehradky na batérie so zásobníkom (D x Š x V) (*)	(665 x 550 x 430) mm/26,1 x 21,6 x 16,9 palcov
Dĺžka stroja bez predného nárazníka	1875mm/73,8 palcov
Šírka zariadenia bez lišty	1077mm/42,4 palcov
Výška zariadenia	1350 mm/53 palcov
Výška zariadenia (S konštrukciou na ochranu hlavy)	1955 mm/77 palcov
Hmotnosť stroja s prázdnyimi nádržami (bez batérií)	398 kg/853,6 lb.
Brutto hmotnosť stroja (BHS)	870 kg/1914 lb.
Brutto hmotnosť stroja (BHS) (S konštrukciou na ochranu hlavy)	897 kg/1973 lb.
Váha zásielky	490 kg/1078 lb.
Rozmery balenia (D x Š x V)	(2110 x 1220 x 1535 mm)/(83 x 48 x 60,4 palcov)

(*) : voliteľne

NÁVOD NA POUŽÍVANIE

**VAROVANIE!**

Na niektorých miestach stroja sa nachádzajú lepiace štítky indikujúce:

- NEBEZPEČENSTVO!
- VAROVANIE!
- UPOZORNENIE!
- KONZULTÁCIA

Počas čítania tejto Príručky musí operátor venovať pozornosť symbolom uvedeným na štítkoch. Zo žiadnych dôvodov nezakrývajte tieto štítky a ak sú poškodené, okamžite ich vymeňte.

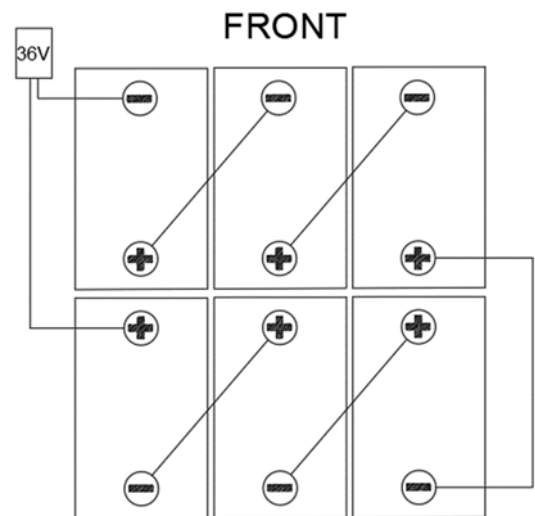
KONTROLA/NASTAVENIE BATÉRIE NA NOVOM STROJI

**VAROVANIE!**

Elektrické komponenty stroja sa môžu vážne poškodiť, ak sú batérie nesprávne vložené alebo zapojené. Batérie smie vkladat' len kvalifikovaný personál. Podľa nasledovného postupu nastavte typ batérie podľa typu použitých batérií (batérie WET alebo GEL/AGM/DIS/ENE). Pred vložením batérií skontrolujte, či nie sú poškodené. Odpojte konektor batérie a zásuvku nabíjačky batérie. S batériami narábajte veľmi opatrne. Namontujte ochranné vrchnáčky terminálov batérií, ktoré sú dodávané so strojom.

**POZNÁMKA**

Stroj vyžaduje šesť 6V batérií, pripojených a nainštalovaných v polohách uvedených na obrázku 5.



Obr. 5

Batérie už sú v zariadení nainštalované

1. Zaistíte, aby bol konektor batérie pripojený.
2. Pri prvom použití zariadenia s novými batériami vykonajte celý cyklus nabíjania (pozrite postup v kapitole Údržba).

Bez batérií

1. Zakúpte vhodné batérie (pozrite odsek „Technické údaje“). Ohľadom voľby a inštalácie batérie sa kontaktujte kvalifikovaného predajcu batérií.
2. Nastavte typ batérie podľa nižšie uvedeného postupu.

VLOŽENIE BATÉRIE A NASTAVENIE TYPU BATÉRIE (WET/GEL/AGM/DIS/ENE)**Inštalácia batérie**

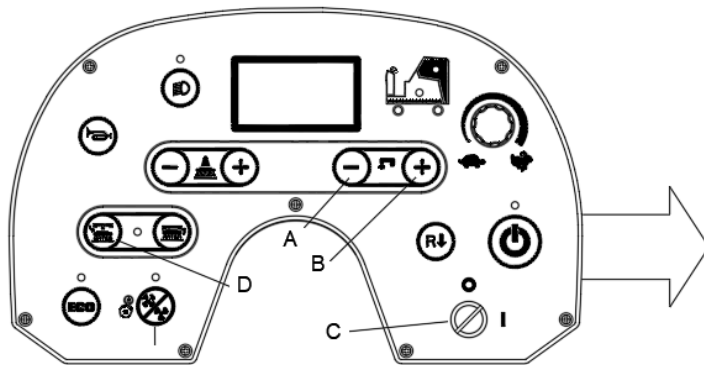
1. Otvorte ľavé a pravé západky (7, Obr. 1).
2. Otvorte vrchnák nádrže na špinavú vodu (5, Obr. 1) a skontrolujte, či je nádrž (8, Obr. 1) prázdna; ak nie, vyprázdňte ju pomocou odtokovej hadice (38, Obr. 2).
3. Zatvorte vrchnák nádrže na špinavú vodu (5, Obr. 1).
4. Opatrne zdvihnite nádrž na špinavú vodu (8, Obr. 1).
5. Odpojte kábel nádrže na špinavú vodu a odstráňte celú jej zostavu.
6. Odstráňte jednu skrutku otáčacieho kábla nádrže na špinavú vodu (31, Obr. 2) a vráťte ju späť.
7. Odstráňte zo spodnej časti zásobníka štyri skrutky.
Stroj je vybavený káblami vhodnými na nainštalovanie 6 x 6 V batérií. Opatrne vložte batérie do priehradky, potom ich riadne nainštalujte ako je uvedené na obrázku 5. Vložte pevne pripevnenú platničku batérie.
8. Veďte a pripevnite kábel batérie tak, ako je uvedené na obrázku 5, potom poriadne zatiahnite maticu na každej svorke batérie.

9. Na každú svorku umiestnite ochranný vrchnáčik, potom k zariadeniu pripojte konektor batérie.
10. Nádrž na špinavú vodu namontujte v opačnom poradí ako pri demontáži.
11. Opatrne spustite nádrž na špinavú vodu.

Nastavenie typu batérie (WET/GEL/AGM/DIS/ENE)

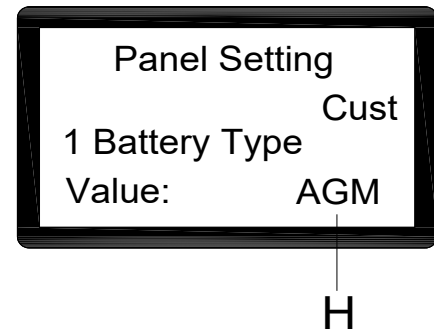
Prístup k výberu režimu batérie

Podľa typu batérií (WET alebo GEL/AGM/DIS/ENE) nastavte zariadenie nasledovne:



Obr. 6

Access to select battery mode



1. Stlačte tlačidlo prietoku vody „-“ (A, Obr. 6) a „+“ (B, Obr. 6) súčasne.
2. Vložte kľúč zapalovania (C, Obr. 6) a otočte do polohy „I“.
3. O niekoľko sekúnd neskôr vstúpite na obrazovku výberu režimu batérie (Obr. 6).
4. Stlačením tlačidla prietoku vody „-“ (A, Obr. 6) a „+“ (B, Obr. 6) vyberte režim batérie (H, Obr. 6).
5. Stlačte uvoľňovacie tlačidlo (D, obrázok 6), O 3 sekundy neskôr sa zobrazí správa „Aktualizácia je v poriadku“, ktorá znamená, že reštartovanie bolo úspešné. (C, Obr. 6).

Nabíjanie batérií

Batérie úplne nabite (pozrite postup v kapitole Údržba).

Vybitie batérie

Ak je indikátor batérií slabý (H, Obr. 7), batérie sa musia plne nabiť. Ak je vzor batérií slabý (H, Obr. 7), batérie sa musia nabiť. Niekoľko sekúnd po tom, čo sa zobrazí slabý indikátor batérií, sa motory kedy automaticky vypnú, zatiaľ čo systém pohonu zostane zapnutý. Ihneď choďte so strojom do určeného nabíjacieho priestoru.



Obr. 7

MONTÁŽ A DEMONTÁŽ KEFY/DRŽIAKA MOPU



POZNÁMKA

Vložte buď kefu (A, Obr. 8) alebo držiak mopu (B a C, Obr. 8) v závislosti od typu podlahy, ktorú budete čistiť.



UPOZORNENIE!

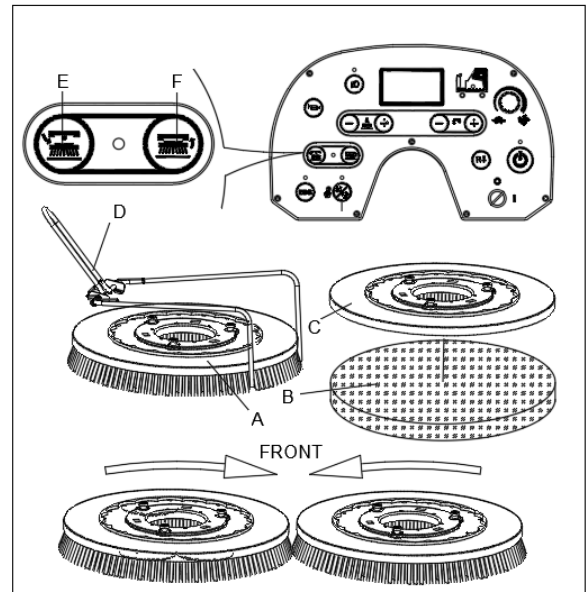
Pred namontovaním alebo odstránením kefy alebo držiaka mopu sa uistite, že všetky spínače na stroji sú vo vypnutej polohe a lišta je zdvihnutá z podlahy. Obsluhujúca osoba musí byť v záujme zníženia rizika poranenia vybavená vhodnými ochrannými prostriedkami, ako sú napr. rukavice.

Postupujte nasledovne:**INŠTALÁCIA:**

1. Vložte kľúč zapalovania (53, Obr. 3) a otočte do polohy „I“. Nadvihnite plošinu.
2. Umiestnite kefy (A, Obr. 8) alebo držiak mopu (B, Obr. 8) pod plošinu. Pomocou zarážky inštalácie kefy (D, Obr. 8) nájdite správnu polohu držiaka kefy/podložky.
3. Nainštalujte kefu/držiak mopu tak, že nadvihnete plošinu stlačením tlačidla na uvoľnenie kefy/držiaka mopu (F, Obr. 8) a kefa/držiak mopu sa automaticky nainštaluje. Je znázornený smer rotácie (Obr. 8). Kontrolka LED bude blikať.

ODPOJENIE:

1. Vložte kľúč zapalovania (53, Obr. 3) a otočte do polohy „I“. Skontrolujte, či je držiak kefy/podložky v zdvihnutej (UP) polohe. Na odpojenie kefy/držiaka mopu stlačte tlačidlo na uvoľnenie kefy/držiaka mopu (E, Obr. 8), kefa/držiak mopu sa automaticky uvoľní. Kontrolka LED sa rozsvieti.



Obr. 8

Ak stlačíte tlačidlo na vypnutie kefy a stlačíte tlačidlo na zapnutie, musíte vypnúť kľúč zapalovania a potom ho zapnúť, stroj môže znova pracovať.

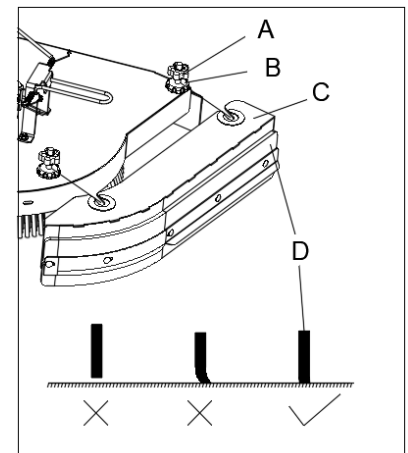
NASTAVENIE VYVÁŽENIA BOČNÝCH OCHRANNÝCH ZÁSTEN

Výšku ochranných zásten je potrebné monitorovať a nastaviť. Počas čistenia strojom skontrolujte výkonnosť bočných ochranných zásten.

- A. Ak sú ochranné zásteny príliš vysoké, medzera medzi ochrannou zástenou (D) a podlahou počas otáčok zanechá vodu na podlahe.
- B. Ak sú ochranné zásteny príliš nízke, ochranná zástena (D) sa odkloní príliš ďaleko, zanechá vodu počas striedania a skráti životnosť ochrannej zásteny.
- C. Správne nastavenie je vtedy, keď sa ochranné zásteny ľahko dotknú podlahy od prednej časti po zadnú časť ochrannej zásteny.

Postup nastavenia nasledovne:

1. Skontrolujte, či je plošina v zdvihnutej (UP) polohe.
2. Uvoľníte horné upevňovacie matice (A) a demontujete zostavu ochrannej zásteny.
3. Nastavte dolné upevňovacie matice (B) nahor/nadol.
4. Znovu nainštalujte zostavu ochrannej zásteny a skontrolujte nastavenie.
5. Opakujte 3. & 4. podľa potreby, až kým nebude nastavenie ochrannej zásteny správne.
6. Uťahnite upevňovacie matice hornej časti (A), aby ste zaistili nastavenie.
7. Opakujte postup aj na druhej strane ochrannej zásteny.

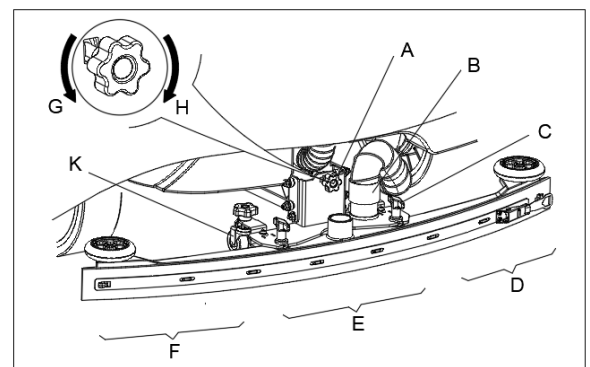


Obr. 9

NASTAVENIE ROVNOVÁHY LIŠTY

1. Nasadte lištu a zatiahnite matice (C, Obr. 10), následne pripojte saciu hadicu (B) k lište.
2. Pomocou páky nastavenia lišty nastavte lištu (A).
 - a) Ak je medzera medzi dlážkou a strednou časťou zadnej čepele lišty (E), nastavte gombík (A) v protismere hodinových ručičiek (H), až kým sa všetky časti zadnej čepele lišty nedotýkajú dlážky a predná čepeľ jemne dosadá na dlážku.
 - b) Ak je medzera medzi dlážkou a oboma koncami zadnej čepele lišty (D a F), nastavte gombík (A) v protismere hodinových ručičiek (G), až kým sa všetky časti zadnej čepele lišty nedotýkajú dlážky a predná čepeľ jemne dosadá na dlážku.

Ak je to potrebné, nastavte celú výšku stláčania nastavením výšky kolieska (K).



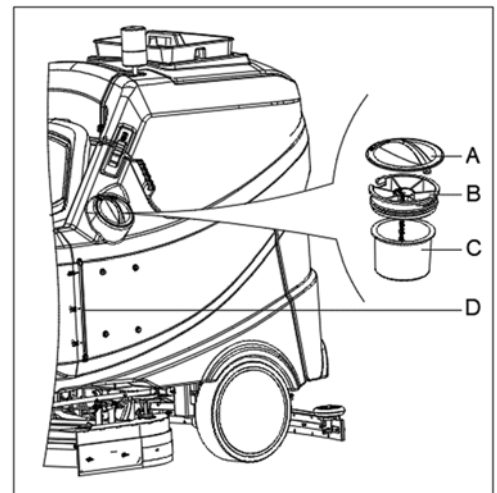
Obr. 10

PLNENIE NÁDRŽE NA ROZTOK

- Otvorte kryt vstupu vody (A, Obr. 11).
- Cez otvor vstupu vody s filtrom naplňte nádrž vodou alebo roztokom vhodným pre plánovanú prácu.
Teplota roztoku nesmie prekročiť +104F (+40 °C).
- Neprelievajte nádrž, pozrite sa na indikátor hladiny vody (D) kvôli objemu vody.

**VAROVANIE!**

Používajte len nízko penivé a nehorľavé čistiace prostriedky určené pre automatické čističe podláh.



Obr. 11

KONTROLA HNACIEHO MOTORA A MECHANICKEJ BRZDY

- Otáčajte kľúčom zapalovania (A, Obr. 12) do polohy „I“, sadnite si na sedadlo (C).
- Jemne stlačte plynový pedál (D), potom ho uvoľnite, aby ste zistili, či sa stroj dá manévrovať vpred a zastaviť.
- Aby ste zaistili bezpečnosť, uistite sa, že stroj sa dá okamžite zastaviť stlačením núdzového tlačidla (B). Núdzové tlačidlo resetujete tak, že ním otočíte.
- Rýchlo stlačte mechanický brzdový pedál (F), aby ste skontrolovali, či je možné stroj okamžite zastaviť.

**VAROVANIE!**

Pracovná lezecká kapacita nesmie presiahnuť 16 %. Pri práci na svahu musia byť západky nádrže zapnuté (7, Obr. 1). Z bezpečnostných dôvodov ho nikdy nezastavujte na svahu.

Pri stúpaní na svah s maximálnym sklonom 20 % vopred nastavte potenciometer obmedzujúci rýchlosť do polohy maximálnej rýchlosti. Počas stúpania do svahu zatlačte plynový pedál na maximum.

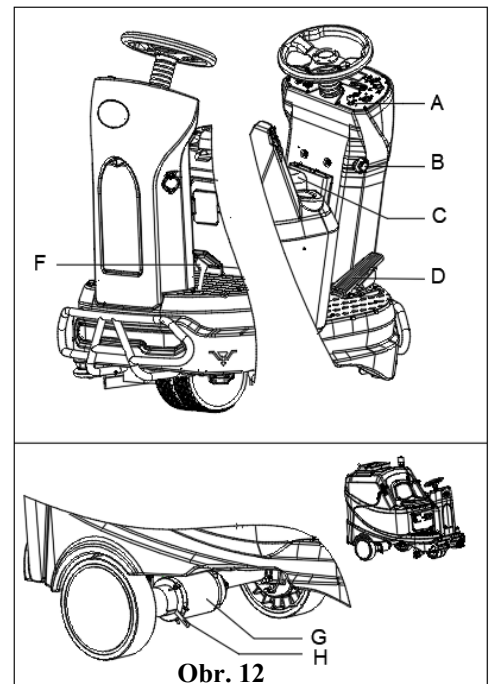
Pri čistení kefou na svahu s maximálnym sklonom 16 % vopred nastavte potenciometer obmedzujúci rýchlosť do polohy maximálnej rýchlosti. Ak sa na displeji zobrazí „Error 4, Tra Overload“, upravte tlak kefy na najnižšie nastavenie.

Ak zistíte, že sa rýchlosť stroja spomaľuje a blíži sa k stavu zastavenia v procese stúpania po svahu a na displeji sa zobrazí „Error 4, Tra Overload“, okamžite uvoľnite pedál akcelérátora a stlačte mechanickú brzdú.

Ak sa v procese stúpania po svahu zobrazí „Error 4, Tra Overload“, okamžite zastavte a stlačte mechanickú brzdú, otočte kľúčový spínač do polohy vypnutý a potom otočte kľúč, čím reštartujete a ukončíte proces stúpania. Nastavte potenciometer obmedzenia rýchlosti do polohy pre pomalú rýchlosť a potom stlačte tlačidlo dozadu, uvoľnite mechanickú brzdú, jemne šliapnite na akcelérátor, aby sa stroj mohol pomaly posúvať dozadu, až kým sa nedosiahne nižší sklon.

**POZOR!**

Brzda pohonného motora je uvoľnená, keď motor funguje normálne, uzamkne sa, keď je motor vypnutý. V niektorých špeciálnych prípadoch, ako je balenie/rozbaľovanie stroja, porucha stroja atď., môže byť potrebné stroj zatlačiť. Pri hnacom motore (G, Obr. 12) stlačte rukoväť brzdy (H, Obr. 12), brzda stroja sa uvoľní a stroj sa môže posunúť. Po dokončení zatlačte rukoväť dozadu, aby stroj mohol pracovať.



Obr. 12

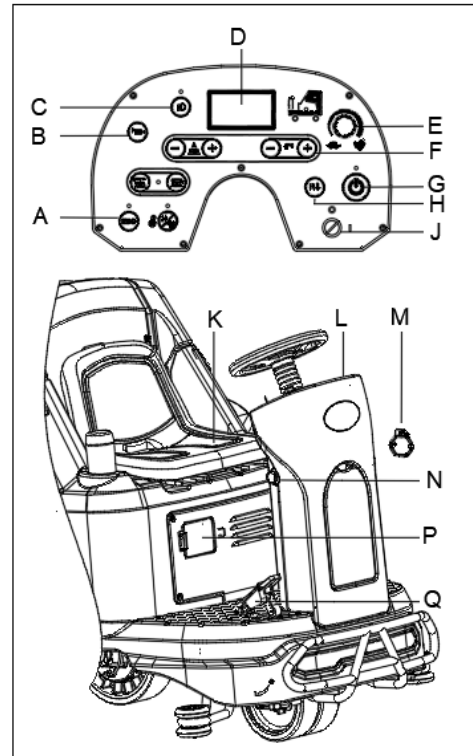
SPUSTENIE A ZASTAVENIE STROJA**Naštartujte zariadenie**

- Prpravte stroj tak, ako je to zobrazené v predošlom odstavci.

2. Posadte sa na sedadlo (K, Obr. 13), vložte kľúč zapalovania (J, Obr. 13) a otočte ho na „I“. Na obrazovke displeja skontrolujte stav batérií. V prípade potreby nabite batérie (pozrite postup v kapitole Údržba).
3. Prejdite so strojom na pracovnú oblasť:
Smer dopredu/dozadu možno ovládať spínačom (H, Obr. 13). Rýchlosť pohybu vpred sa dá nastaviť nastavovačom (H, Obr. 13).
4. Stlačením spustenia jedným tlačidlom (G, Obr. 13) spustíte stroj, stierač a kefy sa automaticky spustia na podlahu a vákuový motor začne fungovať.
5. Ak je potrebné, stlačte tlačidlá ovládania toku roztoku (F, Obr. 13), v závislosti od typu čistenia, ktoré budete vykonávať.
6. Stlačte pedál akcelerátora (Q, Obr. 13) a začnite čistiť.
7. Môžete svoj telefón nabiť cez USB nabíjací port (M, Obr. 13), keď je kľúčový vypínač (J, Obr. 13) otočený na „I“.
8. Keď potrebujete varovať ľudí, stlačte tlačidlo klaksóna (B, Obr. 13).
9. V nevyhnutom prípade stlačte núdzové tlačidlo (N, Obr. 13) pre núdzové zastavenie stroja.
10. V prípade potreby stlačte tlačidlo predných svetiel (C, Obr. 13) pre tmavé plochy alebo pre varovanie chodcov.
11. V prípade potreby nastavte sedadlo (K, Obr. 13) otočením rukoväte doprava na pravej strane sedadla a potom posuňte sedadlo do správnej polohy.

**POZNÁMKA**

Motor kefy, motor podtlaku, hnací motor a riadiaci obvod sú chránené chráničom proti preťaženiu (P, Obr. 13). Keď sa aktivuje ochrana proti preťaženiu, neresetujte ju okamžite bez zistenia hlavnej príčiny a uistite sa, že motor vychladol pred resetovaním.



Obr. 13

Zastavte stroj.

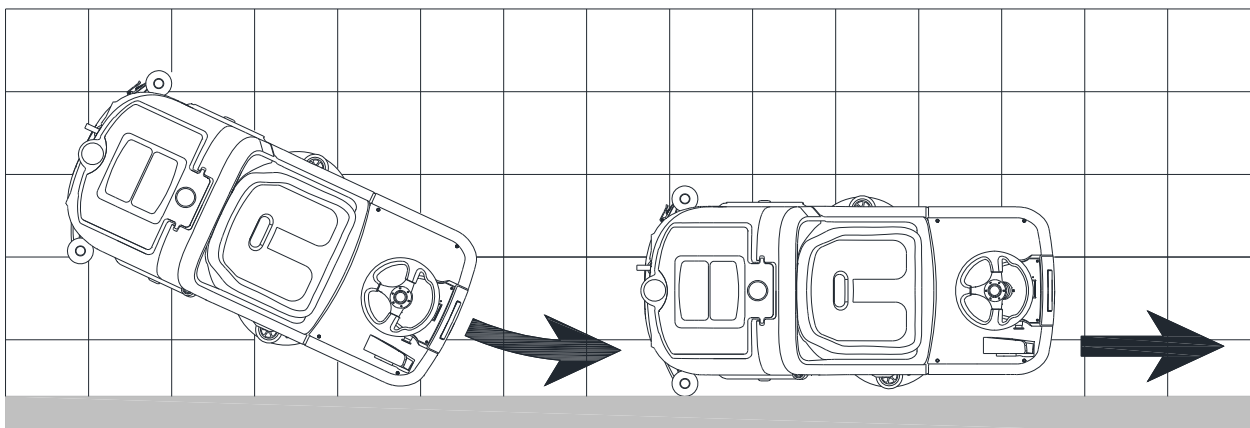
12. Uvoľnite pedál akcelerátora (Q, Obr. 13), stroj prestane pracovať.
13. Stlačením spustenia jedným tlačidlom (G Obr. 13) zastavíte kefy a vysávací motor. Kefy a lišta sa automaticky zdvihnú z podlahy. Systém sania sa zastaví po niekoľkých sekundách.
14. Otočte kľúč zapalovania do polohy „0“.
15. Uistite sa, že stroj sa nemôže sám od seba pohnúť.

CHOD STROJA (UMÝVANIE A SUŠENIE)

1. Spustíte stroj podľa postupu v predchádzajúcom odseku.
2. Začnete čistiť podľa postupu v časti „Spustenie stroja“.
3. Ak je to potrebné, zastavte stroj a nastavte bočné ochranné zásteny podľa časti „Nastavenie bočných ochranných zásten“.
4. Ak je to potrebné, zastavte stroj a nastavte lištu podľa časti „Nastavenie rovnováhy lišty“.

**POZNÁMKA**

Na správne vyčistenie/vysušenie podlahy na krajoch pri stenách. Navrhuje sa ísť blízko pri stenách s pravou stranou stroja (Obr. 14), ako je to zobrazené na obrázku.



Obr. 14

VYPRÁZDNIENIE NÁDRŽE**Vyprázdenie nádrže na špinavú vodu**

Keď sa na multifunkčnom displeji (47, Obr. 3) zobrazí CHYBA 24 a rozsvieti sa indikátor naplnenia nádrže na špinavú vodu (48, Obr. 3). Označuje, že nádrž na špinavú vodu (C, Obr. 15) je plná, vakuový motor už nemôže vysušiť podlahu. Vyprázdnite nádrž na špinavú vodu podľa nasledujúcich krokov:

1. Zastavte stroj.
2. Nadvihnite plošinu kefy/držiaka mopu (K) stlačením spustenia jedným tlačidlom (51, Obr. 3).
3. Prejdite so strojom na miesto určené na vyliatie vody.
4. Vyprázdnite nádrž na špinavú vodu pomocou hadice (N, Obr. 15). Potom vypláchnite nádrž (C, Obr. 15) čistou vodou.

**UPOZORNENIE!**

Pri vypúšťaní odpadovej vody držte vypúšťaciu hadicu vysoko a preložte cez hornú časť, aby ste sa vyhli rozliatiu na obsluhu.

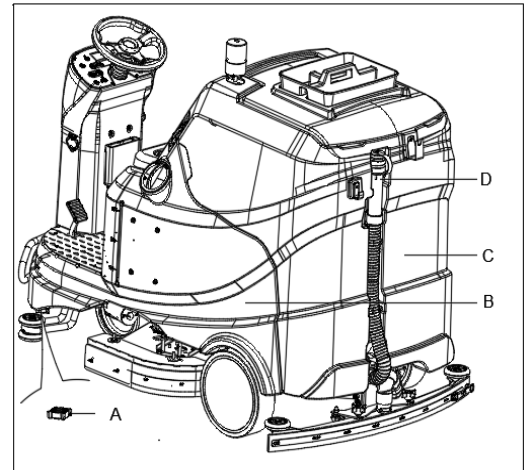
Vyprázdenie nádrže na roztok/čistú vodu

1. Vyprázdnite nádrž na roztok pomocou odtokového krytu (A, Obr. 15). Po práci vypláchnite nádrž čistou vodou.

PO POUŽÍVANÍ STROJA

Po práci, pred odložením stroja:

1. Vyberte kefy/držiaky mopu stlačením uvoľňovacieho tlačidla (56, Obr. 3) a vyčistite ich.
2. Vyprázdnite nádrže (B a C, Obr. 15), ako je to uvedené v predchádzajúcich odsekoch.
3. Vykonajte dennú údržbu (pozrite kapitolu Údržba).
4. Uskladnite stroj na čistom a suchom mieste, s nadvihnutými alebo odstránenými kefami/držiakmi mopov a lištou.
5. Na udržanie otvoreného veka použite držiak veka nádrže na špinavú vodu. Týmto postupom zabránite nahromadeniu zápachu vo vnútri.

**Obr. 15****SKLADOVANIE ZARIADENIA POČAS DLHODOBEJ NEČINNOSTI**

Ak stroj nebudete používať viac ako 30 dní, vykonajte nasledujúce kroky:

1. Vykonajte kroky uvedené v odseku Po používaní stroja.
2. Odpojte konektor batérií.

PRVÉ POUŽITIE

Po prvých 8 hodinách skontrolujte časti stroja, ktoré sú zaskrutkované alebo spojené, či sú riadne utiahnuté, a skontrolujte, či viditeľné miesta nie sú opotrebované alebo neuniká tekutina.

ÚDRŽBA**VAROVANIE!**

Údržbu musíte vykonávať po tom, ako zariadenie vypnete a odpojíte kábel nabíjačky batérie. Okrem toho si pozorne prečítajte kapitoly ohľadom bezpečnosti v tejto príručke.

Všetky kroky plánovanej alebo zvláštnej údržby musí vykonať kvalifikovaná osoba alebo autorizované servisné centrum. Táto príručka popisuje len všeobecné alebo bežné postupy údržby.

Ak potrebujete ďalšie postupy údržby, ktoré nie sú uvedené v tabuľke nižšie, obráťte sa na naše oddelenie technickej podpory.

TABUĽKA PLÁNU ÚDRŽBY



UPOZORNENIE!

Úkon označený (1) sa musí vykonať po prvých 8 hodinách používania. Úkon označený (2) musí vykonať Servisné centrum kvalifikované našou spoločnosťou.

Úkon	Denne, po každom použití	Týždenne	Polročne	Ročne
Nabíjanie batérií				
Čistenie lišty				
Čistenie držiaka kefy/mopu				
Čistenie nádrže				
Kontrola tesniacej lišty nádrže				
Čistenie zbernej nádoby na špinu				
Čistenie kefy/mopu				
Ochrana pred striekajúcou vodou				
Kontrola a výmena čepele stieracej lišty				
Čistenie filtra na roztok				
Čistenie sacieho filtra				
Kontrola hladiny tekutiny WET batérie				
Kontrola pevnosti skrutiek a matíc			(1)	
Pridanie oleja na otočné časti (ako olej na brzdy)			(1)	
Kontrola alebo výmena uhlíka motora kefy				(2)
Kontrola alebo výmena uhlíka motora saciej kefy				(2)
Kontrola alebo výmena pohonu uhlíka motora kefy				(2)

NAVODILA**POZOR!**

Nekatere splošne in podrobne informacije o napravi niso vključene v ta vodič.
S pomočjo programa Adobe® Reader® si na priloženem CD-ROM-u oglejte priročnik HITRI VODIČ.

**OPOMBA**

Številke v oklepajih se nanašajo na komponente, prikazane v poglavju Opis naprave.

NAMEN VODIČA IN VSEBINA

Namen teh navodil za uporabo je operaterjem zagotoviti osnovne informacije in tehnične značilnosti, podatke o delovanju, neaktivnosti stroja, rezervnih delih ter varnostnih pogojih itn.

Pred izvajanjem procedur na napravi, morajo operaterji in usposobljeno osebje prebrati navodila za uporabo. Kontaktirajte naše podjetje v primeru kakršnih koli dvomov glede interpretacije navodil ali za dodatne informacije.

KAKO SHRANITI TA NAVODILA ZA UPORABO

Navodila za uporabo morajo biti zmeraj v bližini naprave, v primerni škatlici, stran od tekočin in ostalih snovi, ki lahko povzročijo kakršno koli škodo naprave.

IZJAVA O SKLADNOSTI

Izjava o skladnosti je dobavljena z napravo in dokazuje skladnost naprave z veljavnim zakonom.

**OPOMBA**

Kopije originalne izjave o skladnosti se nahajajo v sklopu dokumentacije naprave.

DODATKI IN VZDRŽEVANJE

Vse potrebno rokovanje, vzdrževanje in popravila mora opravljati usposobljeno osebje v popravilnem centru, ki ga določi naše podjetje. Uporabljajo se lahko SAMO originalni in odobreni rezervni deli in dodatki.

Kontaktirajte pomoč uporabnikom našega podjetja, če želite pridobiti informacije o servisu, kupiti rezervne dele ali dodatke.

SPREMEMBA IN IZBOLJŠANJE

Zavzemamo se za stalno izboljševanje svojih izdelkov, družba si pridržuje pravico do sprememb, strojnih in izboljšav brez dodatnega obveščanja.

OBSEG UPORABE

Ta brisalnik se lahko uporablja v komercialne in industrijske namene. Primerna je za čiščenje gladkih in trdnih tal, z njo pa lahko rokuje samo usposobljeno osebje v varnih razmerah. Ni primeren za zunanjo uporabo, za preproge ali čiščenje grobih tal.

IDENTIFIKACIJSKI PODATKI NAPRAVE

Serijska številka in naziv modela naprave sta označena na serijski oznaki.

Ta podatek je uporaben. V spodnjo tabelo zapišite identifikacijske podatke naprave, ko boste potrebovali rezervne dele naprave.

MODEL NAPRAVE.....
SERIJSKA ŠTEVILKA NAPRAVE.....

TRANSPORT IN RAZPAKIRANJE

Ko dostavna služba dostavi napravo, preverite, da sta embalaža in naprava cela in nepoškodovana. Če opazite kakršno koli škodo, o tem obvestite prevoznika preden sprejmete blago, da si pridržite pravico do nadomestila zaradi škode.

Dosledno sledite navodilom na embalaži, ko boste napravo razpakirali.

Preverite embalažo in se prepričajte, da so vključeni naslednji elementi:

1. Tehnična dokumentacija - Navodila za uporabo.
2. Sestavni deli akumulatorskega priključka.
3. Priročnik za elektronski polnilec akumulatorskega priključka (če je nameščen) (*)

VARNOST

Naslednji simboli opozarjajo na potencialno nevarne situacije. Te informacije preberite pozorno in upoštevajte potrebne varnostne ukrepe za zaščito ljudi in imetja.

VIDNI SIMBOLI NA NAPRAVI**OPOZORILO!**

Pozorno preberite vsa navodila, preden izvajate dela na napravi.

**OPOZORILO!**

Ne perite naprave z neposrednimi curki ali curki pod pritiskom.

**OPOZORILO!**

Naprave ne uporabljajte za delo na pobočjih z naklonom, ki presega tistega, ki je zapisan v specifikacijah.

SIMBOLI, KI SE UPORABLJAJO NA NAVODILIH ZA UPORABO**NEVARNOST!**

Opozarja na nevarno situacijo s smrtnim tveganjem operaterja.

**OPOZORILO!**

Opozarja na pogojno tveganje poškodb ljudi.

**POZOR!**

Opozarja na previdnost ali pozornost na pomembne ali uporabne funkcije. Bodite pozorni na odstavke, ki so označeni s tem simbolom.

**OPOMBA**

Opozarja na pozornost na pomembne ali uporabne funkcije.

**POSVETOVANJE**

Kaže na potrebo po posvetovanju z navodili za uporabo, preden izvedete katero koli proceduro.

SPLOŠNA VARNOSTNA NAVODILA

Spodaj so prikazana posebna opozorila in previdnosti za obveščanje o morebitnih poškodbah ljudi in naprav.

**NEVARNOST!**

- To napravo mora upravljati samo usposobljeno in pooblaščen osebje, glede na vodila v tem priročniku.
- Pred čiščenjem, vzdrževanjem, popravilom in zamenjavami, previdno preberite ta navodila, ugasnite napravo in izključite akumulatorski priključek.
- Naprave ne uporabljajte v bližini strupenih, nevarnih, vnetljivih in/ali eksplozivnih praškov, tekočin ali hlapov. Ta naprava ni primeren za sesanje nevarnih vrst prahu.
- Ob delu v bližini električnih komponent stroja, ne nosite nakita.
- Ne delajte pod dvignjeno napravo, brez uporabe varnostnih stojal.
- Ob uporabi svinčenih (WET) akumulatorjev, lahko ti ob normalni uporabi oddajajo vnetljiv plin, zato morate preprečiti stik iskric, plamenov, kadečih materialov in žarečih, osvetljevalnih in gorečih elementov z akumulatorji.
- Ob polnjenju svinčenih (mokrih) akumulatorje, le-te lahko oddajajo vodikov plin, ki lahko povzroči eksplozijo. Zagotoviti morate, da je okolje polnjenja dobro prezračeno in odmaknjeno od plamenov.

**OPOZORILO!**

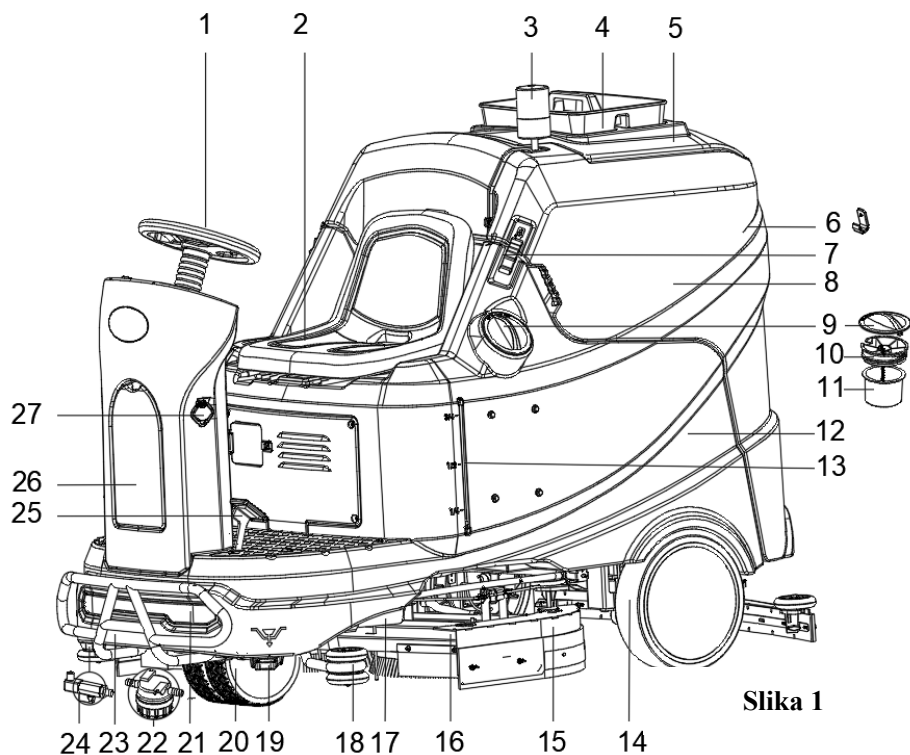
- Stroj je namenjen **KOMERCIALNI UPORABI**, na primer v hotelih, šolah, bolnišnicah, tovarnah, trgovinah, pisarnah in izposojevalnicah.
- Naprave, ki niso pod nadzorom, je treba pritrditi zaradi nenamernega gibanja.
- Da bi preprečili nepooblaščen uporabo stroja, mora biti vir napajanja izklopljena ali zaklenjen, na primer, tako da odstranite ključ glavnega stikala ali vžigalni ključ.
- Pred uporabo previdno preglejte napravo. Preverite, ali so vse komponente pred uporabo pravilno sestavljene. Zrahljane komponente lahko povzročijo poškodbe ljudi in imetja.
- Nikoli ne premikajte naprave z vlečenjem polnilnega kabla akumulatorja. Kabla ne speljajte skozi zaprta vrata, niti ga ne speljajte preko ostrih robov ali vogalov. Naprave ne premikajte preko polnilnega kabla akumulatorja. Polnilni kabel akumulatorja naj ne bo v bližini grelnih površin.
- Ne polnite akumulatorja, če sta polnilni kabel baterije ali priključek, poškodovana.
- Da bi zmanjšali tveganje požara, električnega udara ali poškodbe, se prepričajte, da je naprava ugasnjena, preden jo zapustite.
- Uporabljajte in hranite napravo v notranjih prostorih v suhih razmerah, naprave ni dovoljeno uporabljati na prostem.
- Temperatura za shranjevanje in delovna temperatura naprave mora biti med 0 °C in +40 °C, vlažnost zraka mora biti med 30 %–95 %.
- Ne uporabljajte naprave na pobočjih z naklonom, ki presega tistega, ki je zapisan v specifikaciji.
- Ob uporabi in pri rokovanju s čistilnimi detergenti za tla, sledite navodilom na oznakah steklenic detergenta ter nosite primerne rokavice in ostalo zaščitno opremo.
- Uporabite ščetke in blazinice, ki so prispale z napravo ali pa so določene v priročniku. Uporaba drugih ščetk ali blazinic lahko zmanjša varnost.
- V primeru napačnega delovanja naprave se prepričajte, da do tega ni prišlo zaradi nezadostnega vzdrževanja. Če je potrebno, zaprosite za pomoč pooblaščen osebje ali pooblaščen servisni center.
- Pazite, da se lasje, nakit ali ohlapna oblačila ne ujamejo v premikajoče dele naprave.
- Ne uporabljajte naprave v posebej prašnih področjih.

- Ne perite naprave z neposrednimi curki ali curki pod pritiskom, ali s korozivnimi substancami.
- Naprave ne približujte policam ali odrom, še posebej tam, kjer obstaja možnost padanja predmetov.
- Ne prislanjajte steklenic s tekočinami na stroj, za to uporabite primerno držalo.
- V izogib poškodbe tal pazite, da ščetka/blazinica ne deluje, medtem ko naprava miruje.
- V primeru požara, uporabite gasilnik s suhim prahom. Ne uporabljajte gasilnikov na tekočino.
- Ne odstranjajte ali spreminjajte oznak na napravi.
- Ne posegajte v varnostne mehanizme naprave in strogo sledite običajnim navodilom za vzdrževanje.
- Bodite pozorni, kadar je med prevozom stroja, temperatura pod lediščem. Voda v zbiralni posodi in v ceveh lahko zamrzne in povzroči resne poškodbe stroja.
- Če je potrebno zamenjati rezervne dele, naročite ORIGINALNE rezervne dele pri pooblaščenih prodajalcih.
- Če naprava ne deluje kot običajno ali je poškodovana, do vrnite v servisni center.
- Za pravilno in varno delovanje naprave, je potrebno izvajati predvideno vzdrževanje, kot je zapisano v poglavju o vzdrževanju v tem priročniku, ki ga mora izvesti pooblaščen osebje ali pooblaščen preprodajalec ali servisni center.
- Napravo je potrebno odstraniti na pravilen način, zaradi prisotnosti strupenih materialov (akumulatorji, itd.), ki po standardih zahtevajo odlaganje v posebnih centrih (glej poglavje Odstranitev naprave).
- Ta naprava je samo orodje za čiščenje in ni namenjena za kakršen koli drug namen.
- Odprtine naj bodo zmeraj čiste, brez prahu, las ali drugih tujkov, ki bi zmanjšali pretok zraka. Ne uporabljajte stroja, če so odprtine zamašene.
- To napravo uporabljajte samo, kjer je dovolj svetlobe.
- Naprave naj ne uporabljajo osebe (vključno z otroci) z zmanjšanimi telesnimi, zaznavnimi in umskimi sposobnostmi, ali s pomanjkanjem izkušenj in znanja.
- Ob uporabi v bližini otrok je potrebna posebna pozornost.
- Otroke je potrebno imeti pod nadzorom, da se ne igrajo z napravo.
- Med uporabo te naprave pazite, da ne boste poškodovali ljudi ali predmetov.
- Otroci ne smejo izvajati čiščenja in vzdrževanja brez nadzora.
- Operaterji morajo biti ustrezno poučeni o uporabi teh naprav.
- Strojev brez konstrukcije za zaščito pred padajočimi predmeti (FOPS) ne uporabljajte na območjih, kjer obstaja nevarnost, da upravljavca udarijo padajoči predmeti.

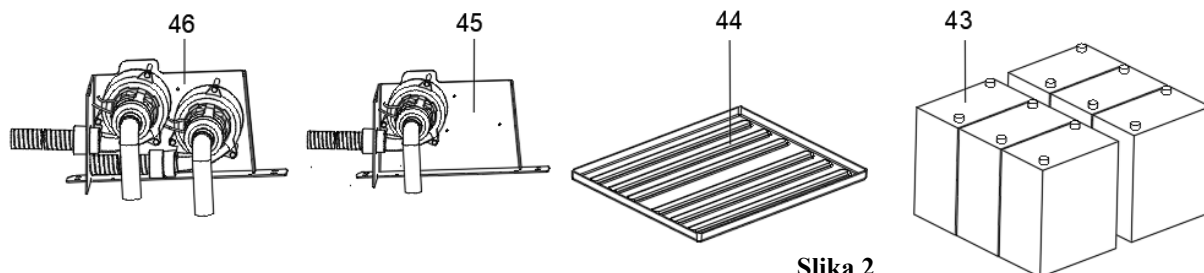
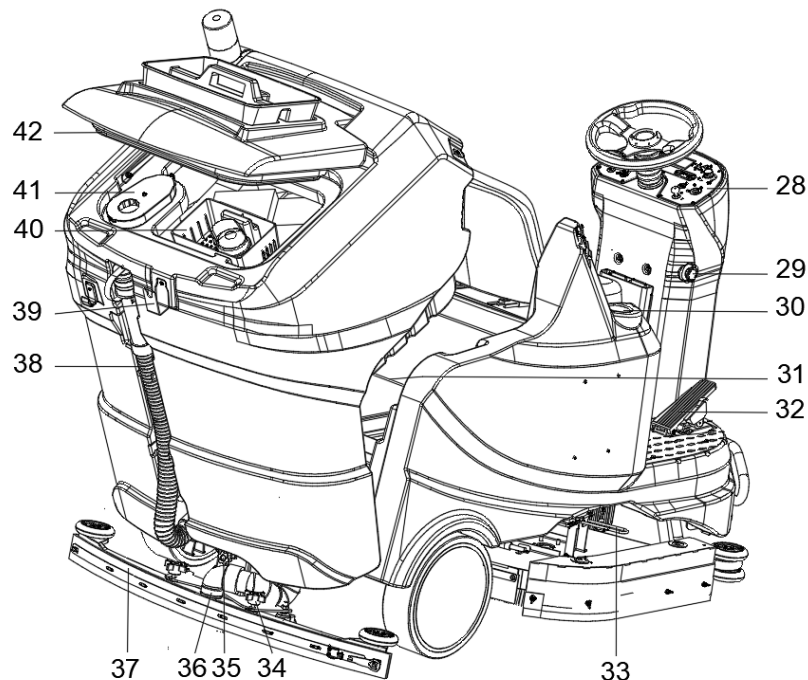
OPIS NAPRAVE

STRUKTURA STROJA* - neobvezno

1. Krmilo
2. Sedež, nastavljiv
(z varnostnim stikalom)
3. Opozorilna luč
4. Komunalni voziček (*)
5. Pokrov zbiralne posode
6. Kavelj
7. Zapah (2)
8. Zbiralna posoda
9. Pokrov filtra
10. Držalo za cev filtra
11. Podpora filtra
12. Posoda z raztopino
13. Cev za nivo vode
14. Pogonska kolesa
(z mehansko zavoro)
15. Stranski blatniki
16. Sestavljanje ščetk
17. Črpalka
18. Odbojna kolesa
19. Pokrov odtoka posode z raztopino
20. Prednja kolesa
21. Sprednje luči
22. Filter za raztopino
23. Prednji odbijač
24. Izklopni ventil za raztopino
25. Mehanska zavorna stopalka
26. Pokrov notranjega pomnilnika
27. Vrata za polnjenje USB
28. Nadzorna plošča
29. Zasilno stikalo
30. Držalo za pijačo
31. Podporni kabel zbiralne posode
32. Stopalka za pospeševanje
33. Ustavitev namestitve gonilnika za
ščetko/blazinico
34. Gumbi za brisalec
35. Gumb za prilagajanje kota brisalca
36. Sesalna cev brisalca
37. Brisalec
38. Drenažna cev za zbiralno vodo
39. Kavelj brisalca
40. Škatla za zbiranje delcev
41. Sesalni filter
42. Tesnilo pokrova posode
43. Akumulatorji (ni na voljo)
44. Podstavek za akumulator (*)
45. Sesalni sistem
46. Dvojni sesalni sistem (*)



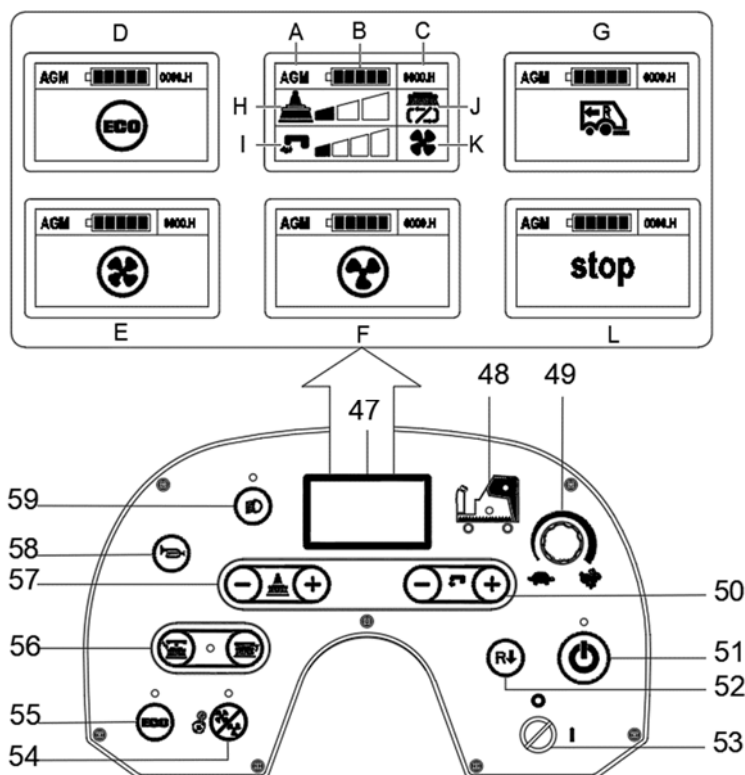
Slika 1



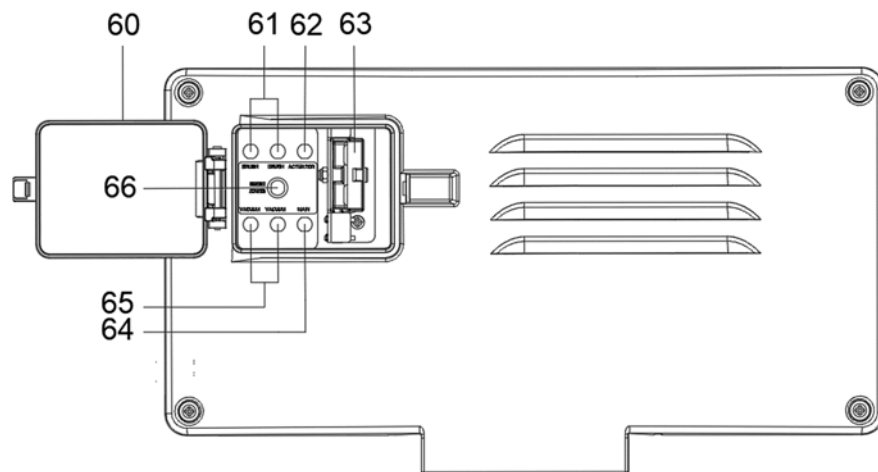
Slika 2

NADZORNA PLOŠČA (kot je prikazano)

47. Večfunkcijski prikazovalnik
Prikazani elementi:
A) Vrsta akumulatorja
B) Stopnja napoljenosti akumulatorja
C) Oddelanih ur
D) Način ECO
E) Normalni način sesanja
F) Tihi način sesanja
G) Vzvrtni način
H) Aktivni dodatni pritisk
I) Količina pretoka raztopine detergenta
J) Delovni način ščetk
K) Način sesalca
L) Varnostno stikalo sedeža izklopljeno
48. Indikator polne posode z vodo/prazne zbiralne posode
49. Gumb za prilagoditev hitrosti
50. Gumbi za prilagajanje pretoka raztopine
51. Gumb za enkratni zagon
·LED nad gumbom sveti – vklop ob delovanju
·vodni sistem (2. nivo)
52. pritisek na najnižjem nivoju (1. nivo)
·običajni sesalni sistem
53. Gumb za premikanje naprej in nazaj
54. Ključ za vžig (0=vklopljeno I=izklopljeno)
55. Gumb za prilagoditev sesalnega sistem (press the button 1 second to activate)
·LED sveti – običajni način
·LED utripa – tihi način
56. Gumb za način ECO
·LED nad gumbom sveti – vklop ob delovanju
·water flow at minimum (level 1)
·pritisek na najnižjem nivoju (1. nivo)
·Sesalec v tišem načinu
57. Vklp/izklop držala ščetke/blazinice s klikom
·LED utripa – klik ob vklopu
58. Gumbi za prilagajanje pritiska ščetke
59. Gumb za hupo
60. Gumb za sprednjo luč
61. Pokrov priključka polnilca
62. Zaščita pred preobremenitvijo motorjev ščetke (30 A)
63. Zaščita pred preobremenitvijo pri dvigovanju ščetke (3 A)
64. Priključek polnilca
65. Zaščita pred preobremenitvijo glavnega nadzornega krogotoka (5 A)
66. Zaščita pred preobremenitvijo motorja sesalnika (30 A)
67. Zaščita pred preobremenitvijo ob dvigovanju brisalcev (3 A)



Slika 3



Slika 4

TEHNIČNI PARAMETRI

Vrsta parametra	AS1050R
Voltaža	36 V
Nazivna moč (VHODNI TOK)	125 A/4500 W
Raven zaščite IP	IP24
Kapaciteta posode z raztopino	200 L/53 gal.
Kapaciteta zbiralne posode	200 L/53 gal.
Širina krtačenja	980mm/35,58 inč
Premer ščetke/blazinice	508 mm x 2/20 inč x 2
Pritisk ščetke/blazinice (največ)	90 kg/198 lbs
Moč motorja ščetke (VHODNI TOK)	2 X 1000 vatov/2 X 1,3 HP
Hitrost ščetke v normalnem načinu	240 vrt./min.
Hitrost ščetke v načinu ECO	175 vrt./min.
Pretok raztopine (največ) na nastavitev/minuto	(1,6/2,3/3,3/4,6) litrov/0,42/0,61/0,87/1,22 gal
Raven zvočnega tlaka (en vakuumski motor)	72 ± 3 dB (A)
Raven zvočnega tlaka (dva vakuumska motorja) (*)	75 ± 3 dB (A)
Raven zvočnega tlaka v načinu ECO ali v tihem načinu	69 ± 3 dB (A)
Moč sesalnega motorja	600 W/0,8 KM
Polnjenje USB	NAJVEČ 5 V 2,4 A
Produktivnost (največ)	7840 m ² /uro/84389 ft ² /uro
Delovna hitrost	0–8 km/0–5 milj na sekundo
Hitrost naprej	0–8 km/0–5 milj na uro
Hitrost vzvratno	0–5 km/0–3,1 milj na uro
Moč pogonskega motorja (VHODNI TOK)	1600 W/2,1 KM
Min. obrat v prehodu	2650mm/104 inč
Zmožnost vožnje v klanec (največ) pri transportu	20%
Zmožnost vožnje v klanec (največ) pri delu	16%
Premer pogonskega kolesa	340mm/13,4 inč
Določen pritisk pogonskega kolesa na tla	0,68 N/mm ²
Premer prednjega kolesa	250 mm/10 inč
Določen pritisk prednjega kolesa na tla	0,62 N/mm ²
Nivo vibracije ročaja (največ)	< 2,5 m/s ²
Velikost prostora za akumulator brez podstavka (D x Š x V)	(680 x 560 x 450) mm/26,7 x 22 x 17,7 inč
Velikost prostora za akumulator s podstavkom (D x Š x V) (*)	(665 x 550 x 430) mm/26,1 x 21,6 x 16,9 inč
Dolžina naprave brez prednjega odbijača	1875mm/73,8 inč
Širina naprave brez brisalca	1077mm/42,4 inč
Višina naprave	1350 mm/53 inč
Višina naprave (Z nadglavnim ščitnikom)	1955 mm/77 inč
Teža naprave s praznimi posodami (brez akumulatorjev)	398 Kg/853,6 Lbs
Bruto teža vozila (GVW)	870 Kg/1914 Lbs
Bruto teža vozila (GVW) (Z nadglavnim ščitnikom)	897 Kg/1973 Lbs
Odpremna teža	490 Kg/1078 Lbs
Dimenzije embalaže (D x Š x V)	(2110 x 1220 x 1535 mm)/(83 x 48 x 60,4 inč)

(*) : Izbirno

OBRATOVALNI VODIČ

**OPOZORILO!**

Na nekaterih delih naprave se nahajajo samolepilne ploščice, ki kažejo na:

- NEVARNOST!
- OPOZORILO!
- POZOR!
- POSVETOVANJE

Pri branju priročnika mora biti operater pozoren na simbole, prikazane na ploščicah. Ne prekrivajte teh ploščic iz katerega koli razloga in jih nemudoma zamenjajte v primeru poškodbe.

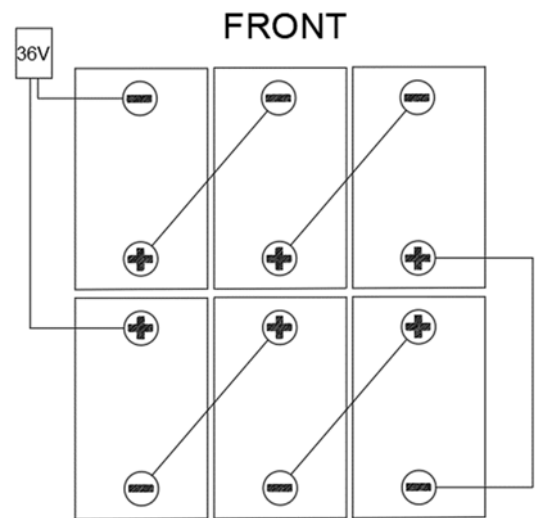
PREVERBA AKUMULATORJA/NAMESTITEV V NOVI NAPRAVI

**OPOZORILO!**

Elektronske komponente naprave se lahko resno poškodujejo, če akumulator ni pravilno nameščen ali priključen. Akumulator mora namestiti samo usposobljeno osebje. Vrsto akumulatorja izberite z uporabo spodnjega postopka glede na vrsto uporabljenega akumulatorja (akumulatorji WET ali GEL/AGM/DIS/ENE). Pred namestitvijo preverite, ali je akumulator poškodovan. Izključite priključek akumulatorja in priklop akumulatorskega polnilca. Z akumulatorjem ravnajte zelo previdno. Namestite zaščitne čepke akumulatorskega terminala, ki so dobavljeni z napravo.

**OPOMBA**

Naprava potrebuje šest 6 V akumulatorjev, povezanih in nameščenih na položaje, prikazane na sliki 5.



Slika 5

Akumulatorji so že nameščeni na napravo

1. Poskrbite, da je priključek akumulatorja priključen.
2. Ko napravo prvič uporabljate z novimi akumulatorji, izvedite celoten cikel polnjenja (glejte postopek v poglavju Vzdrževanje).

Brez akumulatorja

1. Kupite ustrezní akumulator (glejte odstavek »Tehnični podatki«). Za izbiro in namestitev akumulatorjev se obrnite na usposobljene prodajalce akumulatorjev.
2. Z uporabo spodnjega postopka določite nastavitve vrste baterije.

NAMESTITEV AKUMULATORJA IN NASTAVITEV TIPA AKUMULATORJA (WET /GEL/ AGM/ DIS/ENE)**Namestitev akumulatorja**

1. Odprite levi in desni zapah (7, slika 1).
2. Odprite pokrov zbiralne posode (5, slika 1) in preverite, ali je zbiralna posoda (8, slika 1) prazna; če ni, jo izpraznite z odtočno cevjo (38, slika 2).
3. Zaprite pokrov zbiralne posode (5, slika 1)
4. Previdno dvignite zbiralno posodo (8, slika 1)
5. Odklopite kabel zbiralne posode in odstranite celotno zbiralno posodo.
6. Odstranite en vijak podpornega kabla zbiralne posode (31, slika 2) in jo obrnite.
7. Odstranite štiri vijake na dnu zbiralne posode.

Napravi sta priložena kabla, primerna za namestitev šestih 6 V akumulatorjev. Akumulatorje previdno vstavite v prostor za akumulator in jih pravilno namestite, kot je prikazano na sliki 5. Pravilno namestite pritrdilno ploščo akumulatorja.

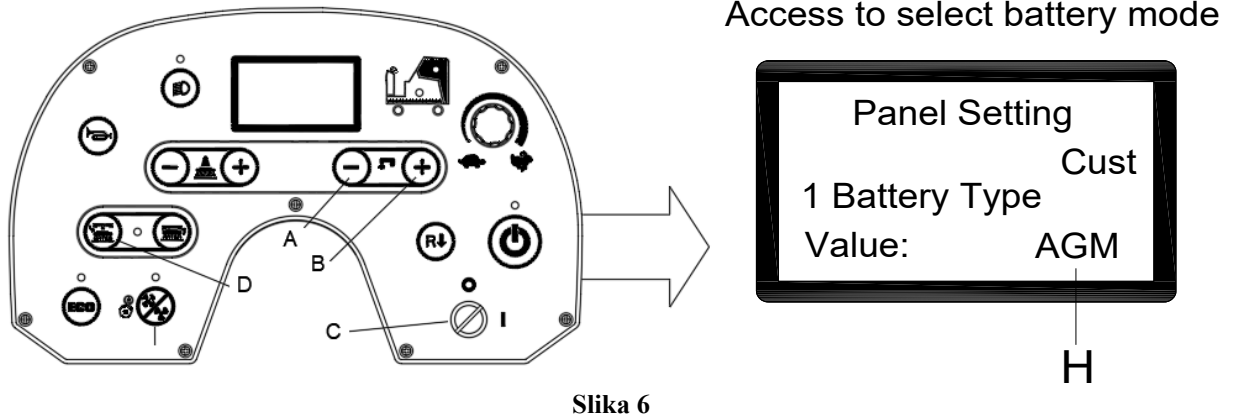
8. Razvlecite in namestite kabel akumulatorja, kot je prikazano na sliki 5, nato previdno privijte matico na vsakem akumulatorskem polu.

9. Na vsak pol namestite zaščitno kapico, nato priključek akumulatorja priključite na napravo.
10. Celotno zbiralno posodo sestavite v obratnem vrstnem redu kot pri razstavljanju.
11. Previdno spustite zbiralno posodo.

Nastavitev tipa akumulatorja (WET/GEL/AGM/DIS/ENE)

Dostop za izbiro načina akumulatorja

Glede na tip akumulatorja (WET/GEL/AGM/DIS/ENE), nastavite napravo na naslednji način:



Slika 6

1. Hkrati pritisnite gumb za pretok vode „-“(A, slika 6) in „+“(B, slika 6).
2. Vstavite ključ za vžig (C, slika 6) in ga obrnite v položaj „I“.
3. Nekaj sekund pozneje odprite zaslon za izbiro načina akumulatorja (slika 6).
4. Pritisnite gumb za pretok vode „-“(A, slika 6) in „+“(B, slika 6) za izbiro načina akumulatorja (H, slika 6).
5. Pritisnite gumb za sprostitev (D, slika 6), 3 sekunde zatem se prikaže „Posodobitev v redu“, kar pomeni, da je nastavitev uspela, ponovno zaženite napravo. (C, slika 6).

Polnjenje akumulatorja

Akumulatorje popolnoma napolnite (glejte postopek v poglavju Vzdrževanje).

Praznjenje akumulatorja

Ko je prikazovalnik stanja akumulatorjev poln (G, slika 7), so akumulatorji povsem napolnjeni. Kadar je napolnjenost akumulatorja nizka (H, slika 7) je treba akumulatorje napolniti. Nekaj sekund po tem, ko se na prikazovalniku pokaže nizko stanje napolnjenosti akumulatorja, se motorji ščetke samodejno izklopijo, medtem ko pogonski sistem ostane vključen. Napravo takoj zapeljite na dodeljeno območje za polnjenje.



Slika 7

NAMESTITEV IN ODSTRANJEVANJE DRŽALA ŠČETKE/DRŽALA



OPOMBA

Namestite ščetko (A, slika 8) ali držalo blazinice (B in C, slika 8) glede na tip tal za čiščenje.



POZOR!

Pred namestitvijo ali odstranitvijo ščetke ali držala blazinice, se prepričajte, da so vsa stikala na napravi v izklopljenem položaju in da je brisalec dvignjen s tal. Operater mora biti opremljen s primerno osebno zaščitno opremo, kot so rokavice, da zmanjša možnost nesreč.

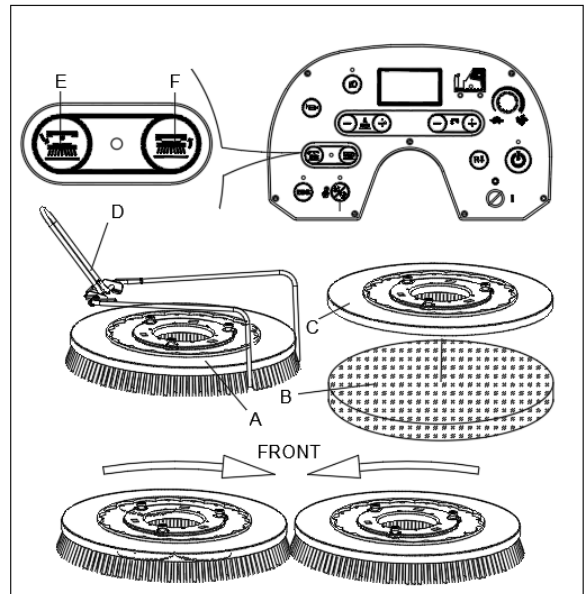
Nadaljujte na sledeč način:

NAMESTITEV:

1. Vstavite ključ za vžig (53, slika 3) in ga obrnite v položaj „I“. Dvignite krov.
2. Ščetke (A, slika 8) ali držala blazinice (B, slika 8) nastavite pod krov. Uporabite zaklepko za nastavev ščetke (D, slika 8), da boste lažje določili ustrezen položaj ščetke/držala blazinice.
3. Ščetko/držalo blazinice namestite tako, da pritisnete gumb za pritrditev ščetke/držala blazinice (F, slika 8), ščetka/držalo blazinice bo samodejno nameščena. Prikazana je smer vrtenja (slika 8). Prikazovalna lučka LED bo začela utripati.

ODSTRANITEV:

1. Vstavite ključ za vžig (53, slika 3) in ga obrnite v položaj „I“. Prepričajte se, da je ščetka/držalo blazinice v dvignjenem položaju (UP). Ščetko/držalo blazinice odstranite tako, da pritisnete gumb za sprostitvev ščetke/držala blazinice (E, slika 8), ščetka/držalo blazinice se bo samodejno sprostita. Prikazovalna lučka LED bo počasi.



Slika 8

Če pritisnete gumb za izklop in gumb za vklop krtače, morate izklopiti ključ za vžig in ga nato vklopiti; stroj lahko ponovno deluje.

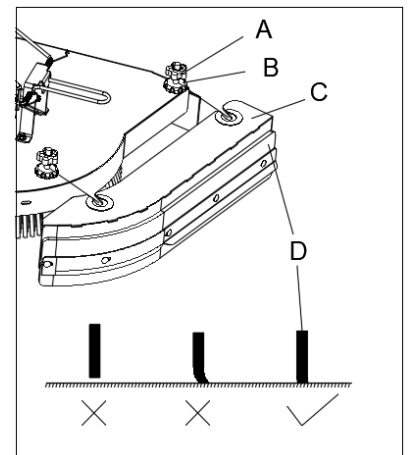
PRILAGAJANJE RAVNOVESJA STRANSKIH BLATNIKOV

Višino blatnika morate nadzirati in prilagoditi. Med čiščenjem naprave preverite učinkovitost stranskih blatnikov.

- A. Če so blatniki nameščeni previsoko in je med blatnikom (D) in tlemi odprtina, bo voda med cikli tekla po tleh.
- B. Če so blatniki nameščeni prenizko, bo blatnik (D) tekočino odbijal predaleč, zaradi česar se bo med cikli nabirala voda in zmanjšala življenjsko obdobje blatnika.
- C. Blatniki so pravilno nameščeni, ko se rahlo dotikajo tal, od sprednjega do zadnjega dela blatnika.

Postopek prilagajanja je naslednji:

1. Prepričajte se, da je krov v dvignjenem (UP) položaju.
2. Odvijte zgornje pritrdilne matice (A) in odstranite cel blatnik.
3. Spodnje pritrdilne matice prilagodite (B) navzgor/navzdol.
4. Ponovno namestite blatnik in preverite prilagoditev.
5. Po potrebi ponovite 3. in 4. korak, dokler blatnik ni pravilno nameščen.
6. Privijte zgornje pritrdilne matice (A) za pritrditev.
7. Postopek ponovite na blatniku na drugi strani.

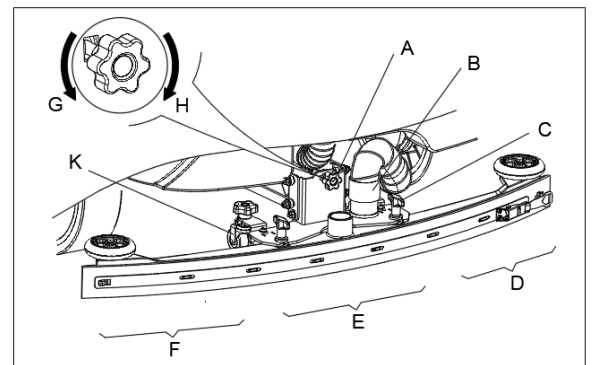


Slika 9

PRILAGAJANJE RAVNOTEŽJA BRISALCA

1. Namestite brisalec in privijte matice (C, slika 10), nato priključite sesalno cev (B) na brisalec.
2. Prilagodite brisalec z uporabo ročice za prilagoditev brisalca (A).
 - a) V primeru odprtine med tlemi in srednjim delom lopatice zadnjega brisalca (E), prilagodite gumb (A) v smeri urinega kazalca (H), dokler se vsi deli lopatice brisalca ne dotikajo tal in se sprednja lopatica rahlo dotika tal.
 - b) V primeru odprtine med tlemi in obema zadnjima deloma zadnje lopatice (D in F), prilagodite gumb (A) v obratni smeri urinega kazalca (H), dokler se vsi deli lopatice brisalca ne dotikajo tal in se sprednja lopatica rahlo dotika tal.

Če je potrebno, nastavite višino celotnega brisalca tako, da prilagodite višino kolesčka (K).



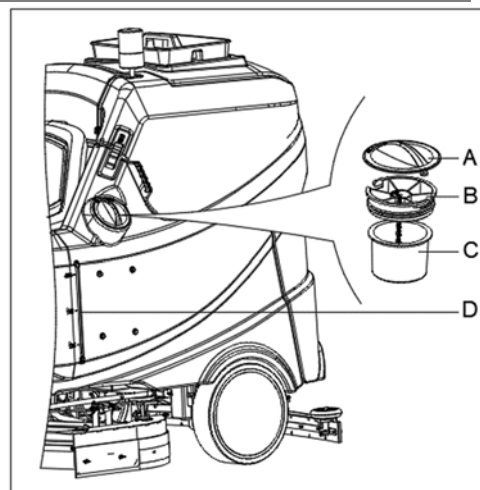
Slika 10

POLNENJE POSODE Z RAZTOPINO

1. Odprite pokrov dovoda vode (A, slika 11).
2. Skozi dovod vode s filtrom napolnite vodo ali raztopino, primerno za delo. Temperatura raztopine ne sme preseči +104F (+40°C).
3. Posode ne napolnite preveč in pri tem upoštevajte indikator za nivo vode (D) za prostornino vode.

**OPOZORILO!**

Uporabite samo nevljive detergente z nizko peno za samodejno uporabo strgala.



Slika 11

PREGLED POGONSKEGA MOTORJA IN MEHANSKE ZAVORE

1. Ključ za vžig (A, slika 12) obrnite v položaj „I“ in sedite na sedež (C).
2. Rahlo pritisnite stopalko za pospeševanje (D) in nato popustite, da preverite, ali lahko napravo krmilite in ustavite.
3. Varnost zagotovite tako, da potrdite, ali lahko napravo nemudoma ustavite s pritiskom zasilnega gumba (B). Obrnite zasilni gumb za ponastavitev.
4. Hitro pritisnite mehansko zavorno stopalko (F), da preverite, če je mogoče napravo takoj ustaviti.

OPOZORILO!

Delovna zmogljivost vzpenjanja ne sme presegati 16 %. Pri delu na pobočju morajo biti zapahi posode (7, slika 1) zatesnjeni. Zaradi varnosti nikoli ne ustavljajte na pobočju.

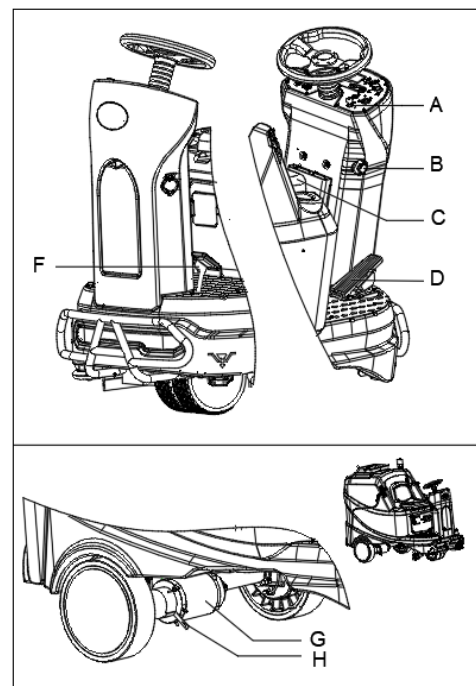


Pri vzpenjanju po pobočju z največ 20-odstotnim naklonom vnaprej nastavite potenciometer za omejevanje hitrosti na položaj za največjo hitrost. Med vzpenjanjem po pobočju povsem pritisnite stopalko za plin.

Če krtačite po pobočju z največ 16-odstotnim naklonom, vnaprej nastavite potenciometer za omejevanje hitrosti na položaj za največjo hitrost. Če se na zaslonu prikaže »Error 4, Tra Overload«, nastavite tlak krtače na najnižjo nastavitvev.

Če ugotovite, da hitrost stroja postaja počasnejša in se bliža stanju ustavljanja v postopku vzpenjanja po pobočju in se na zaslonu prikaže »Error 4, Tra Overload«, takoj sprostite stopalko za plin in stopite na mehansko zavoro.

Če se v postopku vzpenjanja po pobočju prikaže »Error 4, Tra Overload«, se takoj zaustavite in stopite na mehansko zavoro, obrnite stikalo ključa v položaj za izklop, nato pa znova vklopite ključ za ponovni zagon in opustite postopek vzpenjanja. Potenciometer za omejitev hitrosti nastavite v položaj za nizko hitrost, nato pritisnite gumb nazaj, sprostite mehansko zavoro, nežno pritisnite na stopalko za plin, da se stroj lahko počasi pomika nazaj, dokler ni dosežen manjši naklon.



Slika 12

**POZOR!**

Zavora pogonskega motorja se sprosti, ko motor deluje normalno in vklopi, ko motor preneha delovati. V nekaterih posebnih primerih, kot je pakiranje/razpakiranje naprave, okvara naprave itd., boste morali napravo morda potisniti. Na pogonskem motorju (G, slika 12) potisnite ročico zavore navzdol (H, slika 12), zavora naprave se sprosti in napravo lahko premaknete. Ko končate, potisnite ročico navzgor, tako da lahko naprava deluje.

ZAGON IN ZAUSTAVITEV NAPRAVE**Znova zaženite napravo**

1. Pripravite napravo, kot je prikazano v prejšnjem odstavku.
 2. Sedite na sedež (K, slika 13), vstavite ključ za vžig (J, slika 13) in ga obrnite v položaj „I“. Preverite stanje akumulatorjev na zaslonu prikazovalnika. Po potrebi napolnite akumulatorje (glejte postopek v poglavju Vzdrževanje).
 3. Zapeljite napravo do delovnega območja.
- Smer naprej/nazaj lahko nadzorujete s stikalom (H, slika 13). Hitrost lahko nadzorujete z regulatorjem hitrosti (E, slika 13).

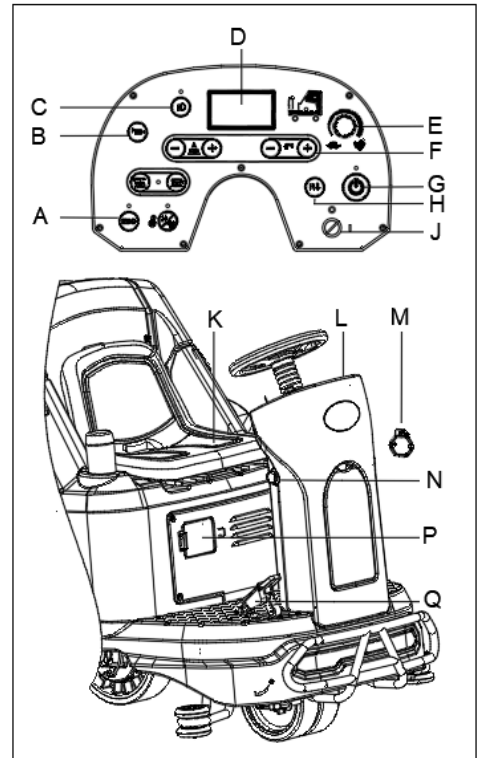
4. Pritisnite gumb za enkratni zagon (G, slika 13) za zagon naprave, brisalec in ščetke se samodejno spustijo na tla in sesalni motor začne delovati.
5. Po potrebi pritisnite nadzorne gumbе za pretok raztopine (F, slika 13), odvisno od tipa čiščenja, ki ga želite izvesti.
6. Pritisnite stopalno za pospeševanje (Q, slika 13) in začnite čistiti.
7. Telefon ali tablični računalnik lahko polnite prek vrat za polnjenje USB (M, slika 13), ko je ključ za vžig (J, slika 13) obrnjen v položaj „I“.
8. Po potrebi pritisnite gumb za hupo (B, slika 13), da opozorite ljudi.
9. Po potrebi pritisnite gumb v sili (N, slika 13), da zasilno ustavite napravo.
10. Po potrebi pritisnite gumb za sprednje luči (C, slika 13) za temna območja ali za opozarjanje pešcev.
11. Po potrebi nastavite sedež (K, slika 13) tako, da ročico na desni strani sedeža obrnete v desno in potisnete sedež v pravi položaj.

**OPOMBA**

Motor ščetke, sesalni motor, pogonski motor in krmilno vezje so zaščiteni z zaščito pred preobremenitvijo (P, slika 13). Ko se sproži zaščita pred preobremenitvijo, je ne ponastavite takoj, najprej ugotovite vzrok in zagotovite, da se je motor pred ponastavitvijo ohladil.

Zaustavite napravo

12. Sprostite stopalko za pospeševanje (Q, slika 13), naprava preneha delovati.
13. Pritisnite gumb za enkratni zagon (G, slika 13), da zaustavite ščetke in sesalni motor. Ščetke in brisalec se samodejno dvignejo od tal. Sesalni sistem se po nekaj sekundah izklopi.
14. Obrnite ključ za vžig na položaj „0“.
15. Prepričajte se, da se naprava ne more samostojno premikati.



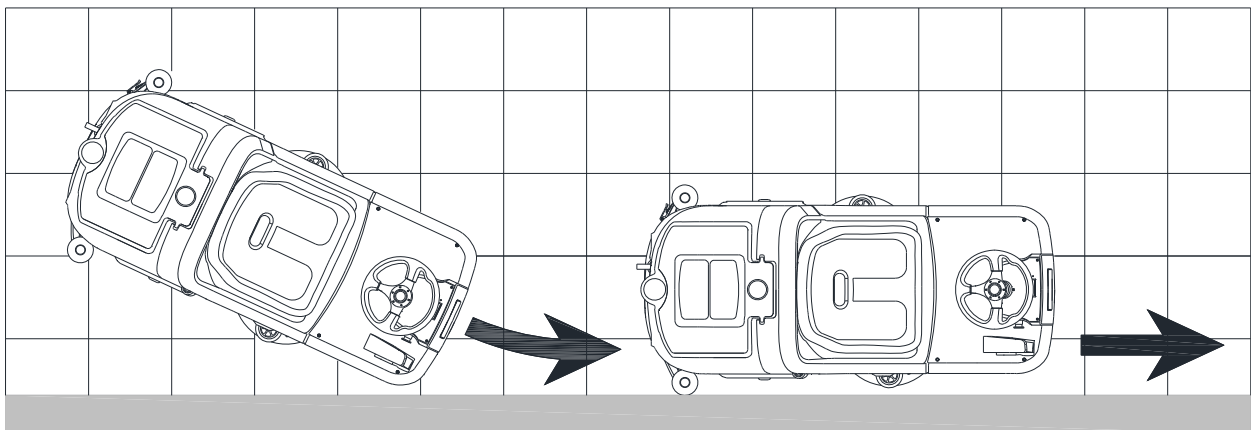
Slika 13

ROKOVANJE Z NAPRAVO (ČIŠČENJE IN SUŠENJE)

1. Napravo zaženite glede na postopke v prejšnjih odstavkih.
2. Začnite čistiti tako, da upoštevate postopke v poglavju „Zagon naprave“.
3. Po potrebi zaustavite napravo, da prilagodite stranske blatnike glede na poglavje „Prilagajanje ravnovesja stranskih blatnikov“.
4. Po potrebi zaustavite napravo, da prilagodite brisalec glede na poglavje „Prilagajanje ravnovesja brisalca“.

**OPOMBA**

Za pravilno brisanje/sušenje tal ob straneh zidov. Priporočamo, da se z desno stranjo naprave približate zidovom (slika 14), kot je prikazano na fotografiji.



Slika 14

PRAZNJENJE POSODE

Praznjenje zbiralne posode z vodo

Ko večfunkcijski prikazovalnik (47, slika 3) prikaže ERROR24 in je vključen prikazovalnik za polno zbiralno posodo (48, slika 3). Označuje, da je zbiralna posoda (C, slika 15) polna, sesalni motor ne more več sušiti tal. Zbiralno posodo izpraznite v naslednjih korakih:

1. Zaustavite napravo.
2. Dvignite krov ščetke/držala blazinice in brisalec tako, da pritisnete gumb za enkratni zagon (51, slika 3).
3. Zapeljite napravo na določeno odlagališče.
4. Zbiralno posodo z vodo izpraznite s cevjo (F, slika 15). Nato posodo (C, slika 15) sperite s čisto vodo.



POZOR!

Pri odvajanju odpadne vode odtočno cev držite pri vrhu in jo prepognite čez zgornji del, da preprečite razlivanje po upravljavcu.

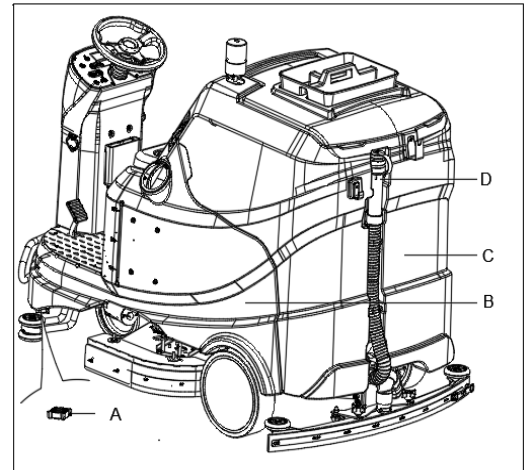
Praznjenje posode z raztopino/čisto vodo.

1. Posodo z raztopino izpraznite z skozi pokrov odtoka (A, slika 15). Po delu očistite posodo s čisto vodo.

PO UPORABI NAPRAVE

Po delu, preden zapustite napravo:

1. Ščetke/držala blazinic odstranite s pritiskom na gumb za sprostitev (56, slika 3) in jih očistite.
2. Izpraznite posode (B in C, slika 15), kot je prikazano v prejšnjem odstavku.
3. Izvedite dnevne vzdrževalne procedure (glej poglavje o Vzdrževanju).
4. Napravo hranite v čistem in suhem prostoru, brisalec in ščetke/držalo blazinic pa naj bo dvignjeno ali odstranjeno.
5. Uporabite naslon za pokrov zbiralne posode, da pokrov ostane odprt. Tako boste preprečili nabiranje vonjav v notranjosti.



Slika 15

SHRANJEVANJE NAPRAVE MED DALJŠO NEAKTIVNOSTJO

Če naprava ne bo v uporabi več kot 30 dni, ukrepajte na naslednji način:

1. Izvedite procedure, prikazane v odstavku »Po uporabi naprave«.
2. Izklopite priključek akumulatorja.

PRVO OBDOBJE UPORABE

Po prvih 8 urah preverite pritrditev naprave in povezovalne dele, ali so pravilno zategnjeni ter preverite vidne dele, ali so obrabljeni in preverite odtekanje.

VZDRŽEVANJE



OPOZORILO!

Vzdrževalne procedure je potrebno opravljati, ko je naprava ugasnjena in ko je polnilec akumulatorja odklopljen. Poleg tega pozorno preberite varnostna poglavja v teh navodilih.

Vse planirano in neplanirano vzdrževanje mora opraviti usposobljeno osebje, ali imenovani servisni center našega podjetja. Ta priručnik samo opisuje splošne in skupne vzdrževalne procedure.

Za druge postopke vzdrževanja, ki niso navedeni v spodnji tabeli z urnikom vzdrževanja, se obrnite na naš oddelek za tehnično podporo.

TABELA NAČRTOVANIH VZDRŽEVALNIH DEL

**POZOR!**

Procedura, označena z (1), mora biti opravljena po tem, ko je naprava prvič več kot 8 ur v uporabi. Procedura, označena z (2) mora biti izvedena s strani servisnega centra, ki je usposobljeno s strani našega podjetja.

Procedura	Dnevno, po vsaki uporabi	Tedensko	Polletno	Letno
Polnjenje akumulatorja				
Čiščenje brisalca				
Čiščenje krtače/držala blazinice				
Čiščenje rezervoarja				
Pregled tesnilnega traku posode				
Čiščenje škatle za zbiranje delcev				
Čiščenje ščetke/blazinice				
Čiščenje blatnika				
Preverba rezila brisalca in njegova zamenjava				
Čiščenje filtra raztopine				
Čiščenje sesalnega filtra				
Preverjanje nivoja tekočine MOKRE akumulatorja				
Pregled zatesnitve vijakov in matic			(1)	
Dodajanje mazalnega olja za vrtljive dele (kot je zavorno olje)			(1)	
Preverba ali zamenjava motorja ogljikove ščetke				(2)
Preverba ali zamenjava sesalnega motorja ogljikove ščetke				(2)
Preverba ali zamenjava pogonskega sistema motorja ogljikove ščetke				(2)

INLEDNING**OBSERVERA!**

Viss allmän och detaljerad maskininformation ingår inte i denna guide.

Se SNABBSTARTSGUIDEN på medföljande CD-ROM som kan läsas med hjälp av Adobe® Reader®.

**OBS!**

Siffrorna inom parentes hänvisar till de komponenter som visas i avsnittet Maskinbeskrivning.

GUIDENS SYFTE OCH INNEHÅLL

Syftet med denna bruksanvisning är att ge operatören all grundläggande information samt information om tekniska egenskaper, drift, maskininaktivitet, reservdelar och säkerhetsvillkor etc.

Innan maskinen används, måste operatörer och kvalificerade tekniker läsa bruksanvisningen noga. Kontakta vårt företag om du har frågor om anvisningarna eller för ytterligare information.

FÖRVARING AV BRUKSANVISNINGEN

Bruksanvisningen måste förvaras i närheten av maskinen, i en lämplig låda på avstånd från vätskor och andra ämnen som kan orsaka skador på den.

FÖRSÄKRAN OM ÖVERENSSTÄMMELSE

Försäkran om överensstämmelse levereras tillsammans med maskinen och intygar att maskin överensstämmer med gällande lag.

**OBS!**

Kopior av den ursprungliga försäkran om överensstämmelse tillhandahålls tillsammans med maskinens dokumentation.

TILLBEHÖR OCH UNDERHÅLL

Drift, underhåll och reparation måste utföras av kvalificerad personal eller av ett servicecenter som utsetts av vårt företag. ENDAST godkända reservdelar och tillbehör bör användas.

Kontakta vårt företags kundtjänst för tjänster eller köp av tillbehör eller reservdelar.

FÖRÄNDRING OCH FÖRBÄTTRING

Vi har åtagit oss att ständigt förbättra våra produkter, och företaget förbehåller sig rätten att förändra och förbättra maskinen utan föregående meddelande.

ANVÄNDNINGSSOMRÅDEN

Skrubbern är för kommersiellt och industriellt bruk. Den är lämplig för rengöring av plana och fasta golv, vid drift av kvalificerad personal i säkra förhållanden. Den är inte lämplig för utomhusbruk, mattrengöring eller rengöring av grova golv.

MASKINENS IDENTIFIKATIONSUPPGIFTER

Maskinens serienummer och modellnamn anges på namnskylten.

Denna information är användbar. Använd följande tabell för att skriva ner maskinens identifieringsuppgifter vid förfrågan av reservdelar för maskinen.

MASKINMODELL.....
MASKINENS SERIENUMMER.....

TRANSPORT OCH UPPACKNING

När transportören levererar maskinen, se till att både förpackningar och maskinen är hela och utan skador. Vid eventuella skador, informera transportören om skadornas omfattning innan du accepterar varorna, för att kunna kräva ersättning för skadan.

Följ noggrant instruktionerna på förpackningen vid uppackning av maskinen.

Kontrollera förpackningen för att se till att följande artiklar ingår:

1. Teknisk dokumentation - Bruksanvisning.
2. Batterianslutningskomponenter.
3. Bruksanvisning elektronisk batteriladdare (om installerad) (*)

SÄKERHET

Följande symboler anger potentiellt farliga situationer. Läs alltid informationen noggrant och vidta alla nödvändiga försiktighetsåtgärder för att skydda personer och egendom.

SYNLIGA SYMBOLER PÅ MASKINEN



VARNING!

Läs alla instruktionerna noggrant innan du utför något arbete på maskinen.



VARNING!

Tvätta inte maskinen med direkt eller trycksatt vattenstråle.



VARNING!

Använd inte maskinen på sluttande underlag med en lutning som överskrider den som anges i specifikationsavsnittet.

SYMBOLER SOM VISAS I BRUKSANVISNINGEN



FARA!

Anger en farlig situation med risk för dödsfall för operatören.



VARNING!

Anger en potentiell risk för personskada.



OBSERVERA!

Anger en varning eller en anmärkning i samband med viktiga eller användbara funktioner. Var uppmärksam på de punkter som är markerade med denna symbol.



OBS!

Anger en anmärkning i samband med viktiga eller användbara funktioner.



RÅD

Anger att man bör läsa anvisningen i användarhandboken innan man utför några åtgärder.

ALLMÄNNA SÄKERHETSANVISNINGAR

Särskilda varningar och försiktighetsåtgärder för att informera om eventuella skador på människor och maskin visas nedan.

**FARA!**

- Denna maskin måste användas av utbildad och auktoriserad personal med vägledning av handboken.
- Innan du utför rengöring, underhåll, reparation eller utbyte, läs alla instruktionerna noga, se till att **STÄNGA AV** maskinen och koppla ur batteriet.
- Använd inte maskinen i närheten av giftiga, farliga, brandfarliga och/eller explosiva pulver, vätska eller ånga. Denna maskin är inte lämplig för uppsugning av farligt pulver.
- Bär inte smycken när du arbetar nära elektriska komponenter.
- Arbeta inte under upplyft maskin utan att stödja den med säkerhetsstöd.
- När du använder blybatterier (WET), så kan de släppa ut lättantändlig gas vid normal användning. Håll gnistor, flammor, rökvaror och strålände, lysande och brinnande föremål på avstånd från batterierna.
- När du laddar blybatterier (WET), kan de avge vätgas som kan orsaka en explosion. Se till att laddningsmiljön är väl ventilerad och inte i närheten av öppna lågor.

**VARNING!**

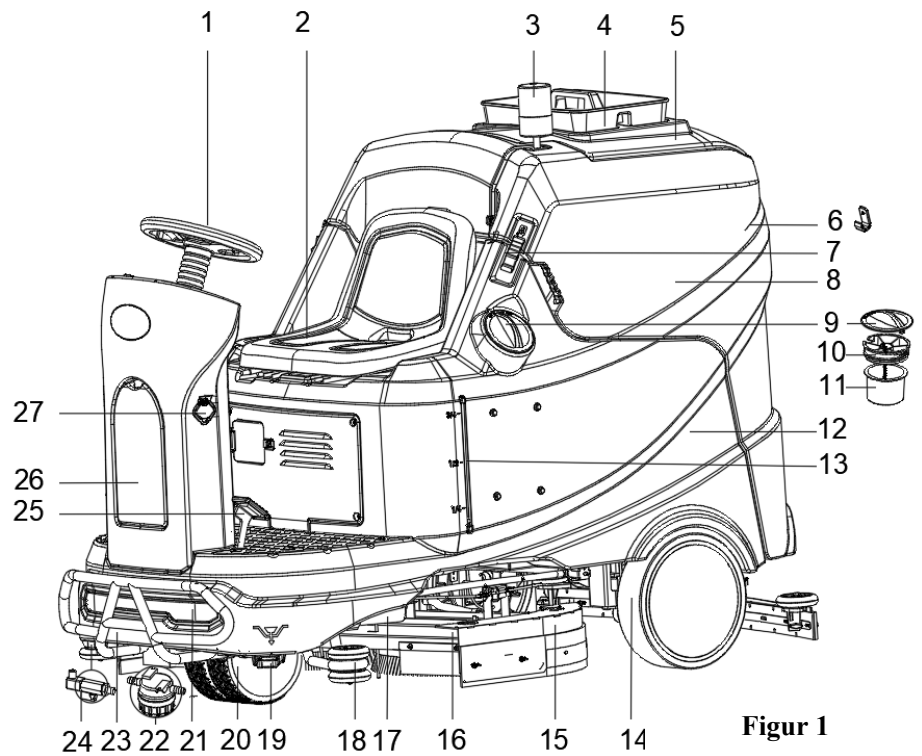
- Denna maskin är avsedd för **KOMMERSIELLT BRUK**, till exempel på hotell, skolor, sjukhus, fabriker, i butiker, på kontor samt i uthyrningsbranschen.
- Maskiner som lämnas utan uppsikt ska säkras mot oavsiktlig rörelse.
- För att förhindra otillåten användning, ska strömkällan stängas av eller låsas, till exempel genom att avlägsna huvudbrytarens nyckel eller startnyckeln.
- Kontrollera maskinen noggrant före varje användning. Kontrollera att alla komponenter är ordentligt monterade före användning. Lösa komponenter kan orsaka skador på människor och egendom.
- Flytta aldrig maskinen genom att dra den i batteriladdarkabeln. Om kabeln ligger i en dörröppning stäng inte dörren eller vira den inte runt vassa kanter eller hörn. Kör inte maskinen över batteriladdarkabeln. Håll batteriladdarkabeln på avstånd från varma ytor.
- Ladda inte batterierna om batteriladdarkabeln eller kontakten är skadade.
- För att minska risken för brand, elektriska stötar eller skada, se till att maskinen är avstängd när den inte används.
- Använd eller förvara maskinen inomhus i torra förhållanden. Den bör inte användas för utomhusbruk.
- Maskinens förvarings- och arbetstemperatur måste vara mellan 0 °C och + 40 °C, luftfuktigheten måste vara mellan 30 % och 95 %.
- Använd inte maskinen på sluttande underlag med en lutning som överskrider den som anges i specifikationerna.
- Vid användning och hantering av rengöringsmedel för golvrengöring, följ instruktionerna på flasketiketten och bär lämpliga skyddshandskar och annan skyddsutrustning.
- Använd de borstar och dynor som levereras med maskinen eller anges i handboken. Användning av andra borstar eller dynor kan minska säkerheten.
- Vid maskinfel, kontrollera att det inte beror på bristande underhåll. Vid behov, begär hjälp från auktoriserad personal eller från ett auktoriserat servicecenter.
- Vidta alla nödvändiga försiktighetsåtgärder för att förhindra att hår, smycken och löst sittande kläder inte fastnar i maskinen rörliga delar.
- Använd inte maskinen i mycket dammiga miljöer.

- Tvätta inte maskinen med direkt eller högtrycks-vattenstråle eller med frätande ämnen.
- Stöt inte till hyllor eller ställningar, särskilt när det finns risk för fallande föremål.
- Ställ inte vätskebehållare på maskinen, använd burkhållaren.
- För att undvika skador på golvet, låt inte borsten/dynan vara i drift medan maskinen står stilla.
- Vid brand, använd en pulverbrandsläckare. Använd inte flytande brandsläckare.
- Ta inte bort eller ändra maskinens etiketter (märkning).
- Mixtra inte med maskinens skyddsanordningar och följ schemalagda underhållsinstruktioner noggrant.
- Var försiktig om maskinen transporteras när temperaturen är under fryspunkten. Vattnet i återvinningsstanken och i slangarna kan frysa och orsaka allvarlig skada på maskinen.
- Om reservdelar behöver bytas ut, beställ ORIGINALreservdelar från en auktoriserad återförsäljare.
- Lämna tillbaka maskinen till serviceverkstaden om den inte fungerar som vanligt eller är om den är skadad.
- För att säkerställa en korrekt och säker maskindrift, måste det schemalagda underhållet som visas i relevant avsnitt av denna handbok utföras av auktoriserad personal eller en auktoriserad serviceverkstad eller återförsäljare.
- Maskinen måste skrotas korrekt p.g.a. förekomsten av farliga giftämnen (batterier etc.), som omfattas av standarder och måste återvinnas på särskilda centra (se avsnittet Skrotning).
- Denna maskin är endast ett rengöringsredskap, den är inte avsedd för andra ändamål.
- Se alltid till att öppningarna inte innehåller damm, hår och annat främmande material som kan minska luftflödet. Använd inte maskinen om öppningarna är igentäppta.
- Använd maskinen endast om en ordentlig belysning finns.
- Denna maskin är inte avsedd att användas av personer (inklusive barn) med nedsatt fysisk, sensorisk eller psykisk förmåga eller bristande erfarenhet och kunskap.
- Särskild uppmärksamhet krävs när den används nära barn.
- Barn ska hållas under uppsikt så att de inte leker med maskinen.
- När du använder denna maskin, se till att inte orsaka skador på människor eller föremål.
- Rengöring och underhåll får inte utföras av barn som inte hålls under uppsikt.
- Operatörer ska få lämpliga instruktioner om användningen av dessa maskiner.
- Använd inte maskinen utan ett skydd mot fallande föremål (FOPS, Falling Object Protective Structure) i områden där det är sannolikt att operatören träffas av fallande föremål.

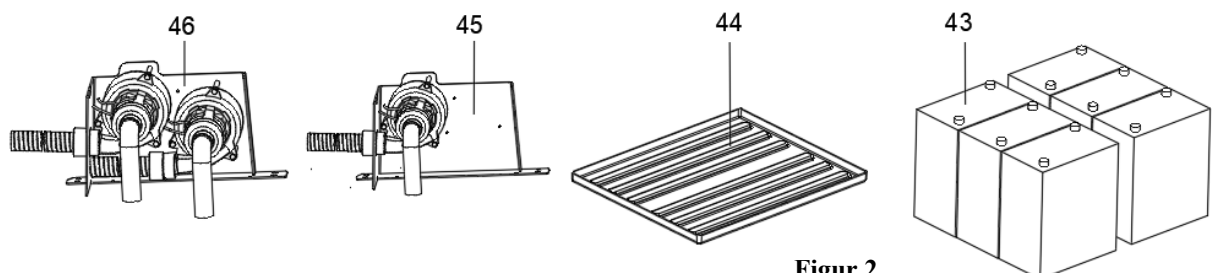
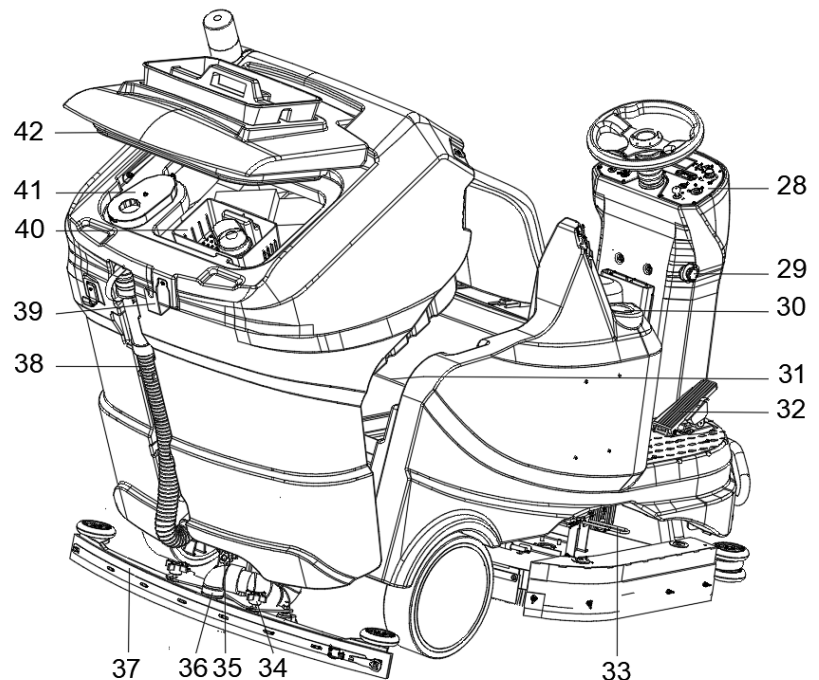
MASKINBESKRIVNING

MASKINSTRUKTUR* - valfri

1. Ratt
2. Säte, justerbart
(med säkerhetsbrytare)
3. Varningslampa
4. Universallåda (*)
5. Lock för återvinningsbehållare
6. Krok
7. Spärr (2 st)
8. Återvinningsbehållare
9. Filterlock
10. Filterslanghållare
11. Filterstöd
12. Lösningsbehållare
13. Vattennivårör
14. Drivhjul
(med mekanisk broms)
15. Sidostänkskydd
16. Borstmontering
17. Pump
18. Stötfångarhjul
19. Lösningsbehållarens dräneringslock
20. Framhjul
21. Framljus
22. Lösningsfilter
23. Främre stötfångare
24. Lösningsavstängningsventil
25. Mekanisk bromspedal
26. Internt förvaringslock
27. USB-laddningsport
28. Kontrollpanel
29. Nödstoppsknapp
30. Mugghållare
31. Stödkabel för återvinningsbehållare
32. Gaspedal
33. Installationsstopp borst-/dynmedbringare
34. Gummiskrapans vred
35. Gummiskrapans vinkeljusteringsvred
36. Gummiskrapans vakuumslang
37. Gummiskrapa
38. Tömningsslang för återvinningsvatten
39. Gummiskrapans krok
40. Skräppupsamlingsbox
41. Dammsugsfilter
42. Behållarens lockpackning
43. Batterier (Ej tillämpl.)
44. Batteritråg (*)
45. Vakuumsystem
46. Dubbelt vakuumsystem (*)



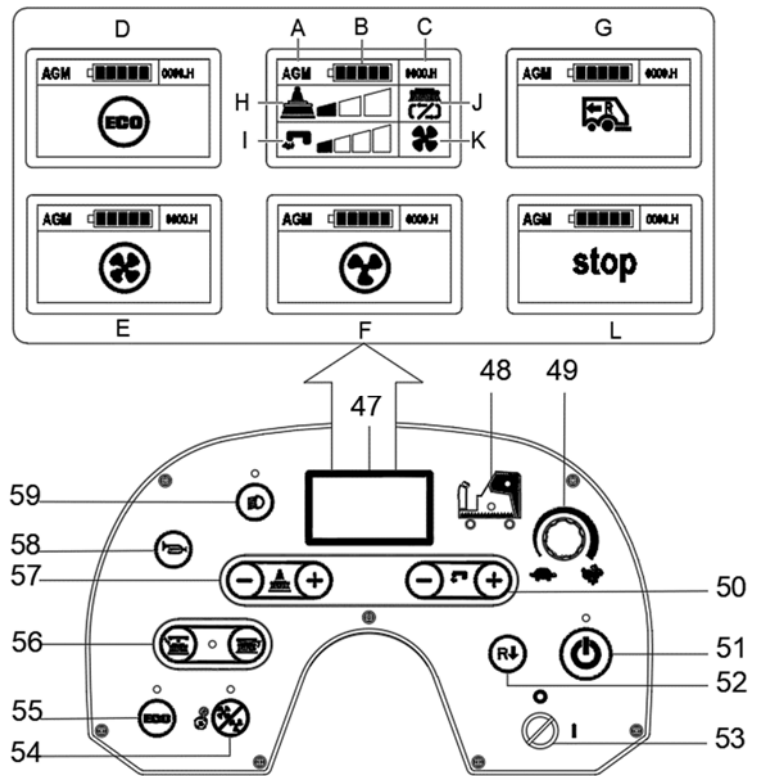
Figur 1



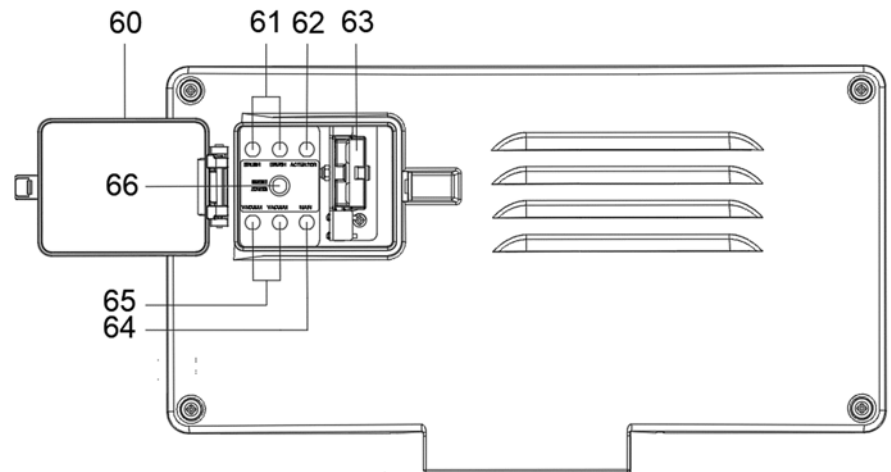
Figur 2

KONTROLLPANEL (såsom visas)

- 47. Multifunktionsdisplay
Vad som visas:
A) Batterityp
B) Batteriladdningsnivå
C) Arbetade timmar
D) ECO-läge
E) Normalläge vakuüm
F) Tyst läge vakuüm
G) Backläge
H) Extra tryck aktivt
I) Flödesmängd rengöringsmedelslösning
J) Arbetsläge borste
K) Vakuümläge
L) Sätersäkerhetsbrytare av
- 48. Återvinningsbehållaren full/lösning-
behållaren tom-indikator
- 49. Hastighetsregulatorratt
- 50. Justeringsknappar för lösningsflöde
- 51. Startknapp
·LED på ovanstående knappfunktion aktiverad
·vattensystem (nivå 2)
·tryck vid minimum (nivå 1)
·vakuümsystem normalt läge
- 52. Framåt- och bakåtknapp
- 53. Startnyckel (0=ON I= OFF)
- 54. Vakuümsystemets justeringsknapp
(tryck på knappen i 1 sekund för att aktivera)
·LED Fast sken -normalt läge
·LED Blinkande -tyst läge
- 55. Knapp för ECO-läge
·LED på ovanstående knappfunktion aktiverad
·vattenflöde vid minimum (nivå 1)
·tryck vid minimum (nivå 1)
·Vakuüm i tyst läge
- 56. Borst-/dynhållare klicka på/av
·LED Blinkar-Klicka på aktiverad
- 57. Justeringsknappar för borsttryck
- 58. Signallhornsknapp
- 59. Framljusknapp
- 60. Laddningskontaktlock
- 61. Borstmotor överbelastningsskydd (30A)
- 62. Borstlyft överbelastningsskydd (3A)
- 63. Laddningskontakt
- 64. Huvudkretsens överbelastningsskydd (5A)
- 65. Vakuümmotor(er) överbelastningsskydd (30A)
- 66. Gummiskrapans lyft överbelastningsskydd (3A)



Figur 3



Figur 4

TEKNISKA PARAMETRAR

Parametertyp	AS1050R
Spänning	36 V
Nominell effekt (INGÅNG)	125A/4500W
IP-skyddsklass	IP24
Lösningsbehållarens volym	200L / 53 Gal.
Återvinningsbehållarens volym	200L / 53 Gal.
Skurbredd	980mm/35,58 tum
Borst-/dyndiameter	508 mm x 2/20 tum x 2
Borst-/dyntryck (max)	90 kg / 198 Lbs
Borstmotoreffekt (INGÅNG)	2 X 1000 Watt / 2 X 1,3 hk
Borsthastighet i normalt läge	240 varv/minut
Borsthastighet i ECO-läge	175 varv/minut
Lösningsflöde (max) per inställning/minut	(1,6/2.3/3,3/4,6) Liter / 0,42/0,61/0,87/1,22Gal
Ljudtrycksnivå (en vakuummotor)	72 ± 3 dB (A)
Ljudtrycksnivå (två vakuummotorer) (*)	75 ± 3 dB (A)
Ljudnivå i ECO-läge eller tyst läge	69 ± 3 dB (A)
Vakuum motoreffekt	600 W/0,8 hk
USB-laddning	5V 2,4A MAX.
Produktivitet	7840 m ² /h/84389 ft ² /h
Arbets hastighet	0 - 8 km/0 - 5 miles per timme
Hastighet framåt	0 - 8 km/0 - 5 miles per timme
Hastighet bakåt	0 - 5 km/0 - 5,3 miles per timme
Drivmotoreffekt (INGÅNG)	1600 W/2,1 hk
Min. vändningsradie	2650mm/104 tum
Lutningskapacitet (max) vid transport	20%
Lutningskapacitet (max) vid drift	16%
Drivhjulsdiameter	340mm/13,4 tum
Bakhjulets specifika tryck mot golvet	0,68 N/mm ²
Främre hjuldiameter	250 mm/10 tum
Framhjulets specifika tryck mot golvet	0,62 N/mm ²
Vibrationsnivå handtag (max)	< 2,5 m/s ²
Batterifackets storlek utan tråg (L x B x H)	(680x560x450) mm / 26,7 x 22 x 17,7 tum
Batterifackets storlek med tråg (L x B x H) (*)	(665x550x430) mm / 26,1 x 21,6 x 16,9 tum
Maskinens längd utan främre stötfångare	1875mm/73,8 tum
Maskinbredd utan gummiskrapa	1077mm/42,4 tum
Maskinhöjd	1350 mm/53 tum
Maskinhöjd (Med skyddstak)	1955 mm/77 tum
Maskinens vikt med tomma behållare (utan batterier)	398 kg / 853,6 Lbs
Totalvikt	870 kg / 1914 Lbs
Totalvikt (Med skyddstak)	897 kg / 1973 Lbs
Leveransvikt	490 kg / 1078 Lbs
Förpackningsstorlek (L x B x H)	(2110 x 1220 x 1535 mm)/(83x 48 x 60,4 tum)

(*) : Tillval

BRUKSANVISNING

**VARNING!**

På vissa ställen finns självhäftande skyltar som anger:

- FARA!
- VARNING!
- OBSERVERA!
- RÅD

Vid läsning av denna bruksanvisning måste operatören ägna stor uppmärksamhet åt symbolerna som visas på skyltarna. Täck inte över dessa plåtar och byt ut dem omedelbart om de skadas.

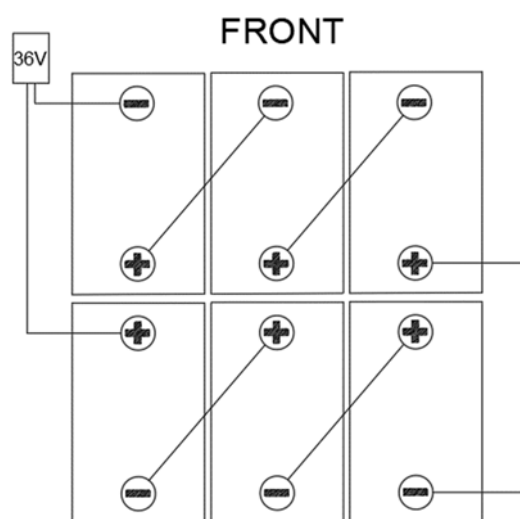
BATTERIKONTROLL/SLÅ PÅ EN NY MASKIN

**VARNING!**

De elektriska komponenterna i maskinen kan skadas allvarligt om batterierna installeras eller ansluts felaktigt. Batterierna får endast installeras av behörig personal. Ställ in batteritypen enligt nedanstående förfarande, beroende på vilken batterityp som används (WET- eller GEL/AGM/DIS/ENE-batterier). Kontrollera om batterierna är skadade före installation. Koppla ifrån batterianslutaren och batteriladdningskontakten. Hantera batterierna med försiktighet. Montera batteriterminalens skyddslock som medföljer maskinen.

**OBS!**

Maskinen kräver sex 6V-batterier, anslutna och installerade i de lägen som visas i figur 5.



Figur 5

Batterier redan installerade på maskinen

1. Säkerställ att batterikontakten är ansluten.
2. När maskinen används för första gången med nya batterier, utför en full laddningscykel (se förfarande i avsnittet Underhåll).

Utan batterier

1. Köp lämpliga batterier (se avsnittet Tekniska data). För val och installation av batteri, kontakta auktoriserad batteriåterförsäljare.
2. Ställ in batteritypsinställningen enligt nedanstående förfarande.

BATTERIINSTALLATION OCH INSTÄLLNING AV BATTERITYP (WET/GEL/AGM/DIS/ENE)**Installation av batteri**

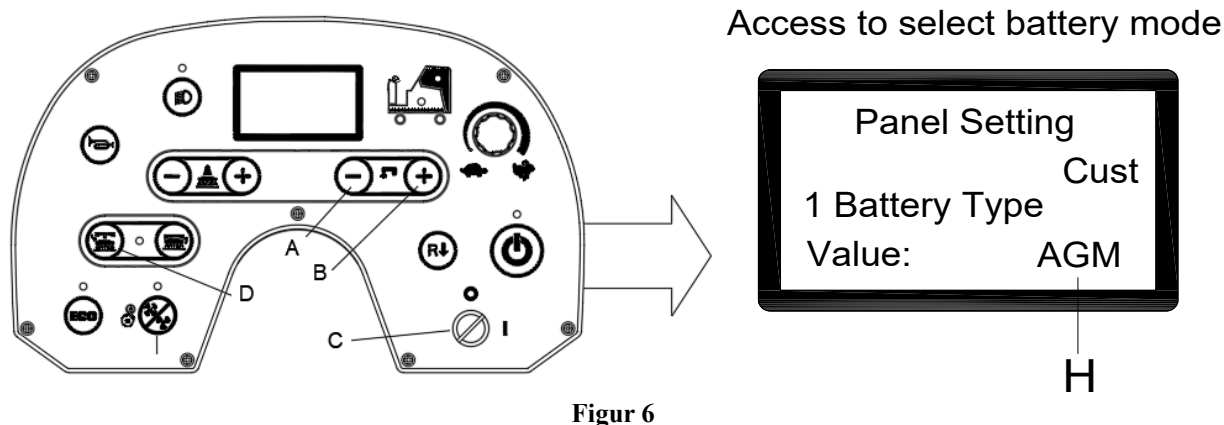
1. Öppna vänster och höger spärr (7, figur 1).
2. Öppna locket till återvinningsbehållaren (5, figur 1) och kontrollera att återvinningsbehållaren (8, figur 1) är tom. Töm den annars med tömningsslangen (38, figur 2).
3. Stäng locket till återvinningsbehållaren (5, figur 1).
4. Höj locket till återvinningsbehållaren (8, figur 1).
5. Koppla bort återvinningsbehållarens kabel och ta bort hela återvinningsbehållaren.
6. Ta bort en skruv på återvinningsbehållarens stödkabel (31, figur 2) och vrid tillbaka.
7. Ta bort de fyra skruvarna i botten på återvinningsbehållaren.
Maskinen levereras med kablar som passar för att installera 6V-batterier. Sätt försiktigt in batterierna i facket och installera dem sedan korrekt, såsom visas i figur 5. Sätt fast batteriplattan korrekt.
8. Vrid och installera batterikabeln såsom visas i figur 5, och dra sedan försiktigt åt muttern på varje batteripol.

9. Placera skyddshylsan på varje pol och anslut sedan batterikontakten till maskinen.
10. Montera hela återvinningsbehållarenheten i omvänd monteringsordning.
11. Sänk försiktigt återvinningsbehållaren.

Batteritypsinställning (WET/GEL/AGM/DIS/ENE)

Åtkomst för att välja batteriläge

Beroende på batterityp (WET/GEL/AGM/DIS/ENE), ställ in maskinen enligt följande:



1. Tryck på vattenflödesknappen ”-” (A, figur 6) och ”+” (B, figur 6) samtidigt.
2. Sätt i startnyckeln (C, figur 6) och vrid den till läge ”I”.
3. Gå, flera sekunder senare, till skärmen för att välja batteriläge (figur 6).
4. Tryck på vattenflödesknappen ”-” (A, figur 6) och ”+” (B, figur 6) för att välja batteriläge (H, figur 6).
5. Tryck på frigöringsknappen (D, Figur 6), 3 sekunder senare visas ”Uppdatering OK”, vilket betyder att inställningen gick bra. Starta om maskinen. (C, figur 6).

Batteriladdning

Ladda batterierna helt (se förfarande i avsnittet Underhåll).

Urladdning av batterierna

När batteriindikatorn är full (G, figur 7), är batterierna fulladdade. När batterierna är tomma (H, figur 7), måste batterierna laddas. Några sekunder efter indikatorn för lågt batteri visas, stängs borstmotorerna av automatiskt, medan drivsystemet förblir påslaget. Flytta maskinen till ett utsett laddningsområde omedelbart.



BORST-/DYNHÅLLAR-INSTALLATION OCH-BORTTAGNING



OBS!

Installera antingen borst- (A, figur 8) eller dynhållaren (B och C, figur 8) beroende på typ av golv som ska rengöras.



OBSERVERA!

Före installation eller borttagning av borste eller dyna-, ska du säkerställa att alla strömbrytare på maskinen är i läge av och att gummiskrapan är lyft från golvet. Operatören måste vara utrustad med passande personliga skyddskläder så som handskar för att minska olycksrisken.

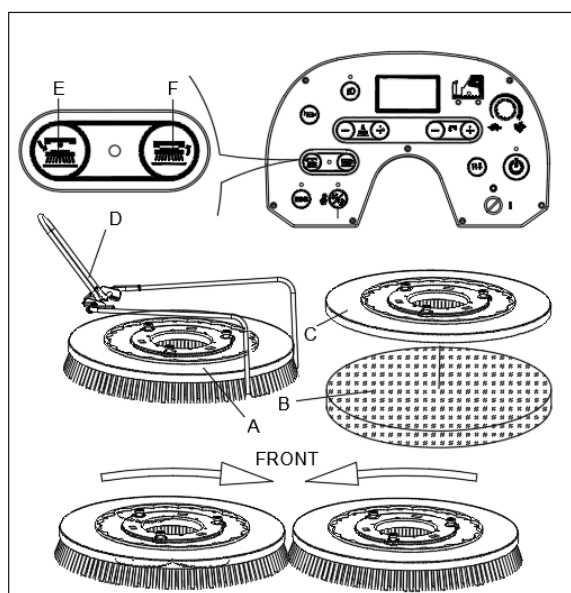
Fortsätt enligt följande:

INSTALLATION:

1. Sätt i startnyckeln (53, figur 3) och vrid den till läge "I". Lyft plattformen.
2. Placera borstarna (A, figur 8) eller dynhållarna (B, figur 8) under plattformen. Använd borstens installationsstopp (D, figur 8) för att hjälpa till att hitta rätt borst-/dynhållarläge.
3. Installera borst-/dynhållaren genom att trycka på borst-/dynhållarens knapp (F, figur 8), borst-/dynhållaren installeras automatiskt. Rotationsriktningen visas (figur 8). LED-indikatorlampan kommer att blinka.

BORTTAGNING:

1. Sätt i startnyckeln (53, figur 3) och vrid den till läge "I". Säkerställ att borst-/dynhållaren är i det upprätta (UPP) läget. Ta bort borst-/dynhållaren genom att trycka på borst-/dynhållarens utlösningssknapp (E, figur 8), borst-/dynhållaren frigörs automatiskt. LED-indikatorlampan kommer att lysa med fast sken.



Figur 8

Om du trycker på borstens avklickningsknapp och påklickningsknapp, måste du stänga av maskinen med startnyckeln och sedan vrida startnyckeln igen för att maskinen ska fungera igen.

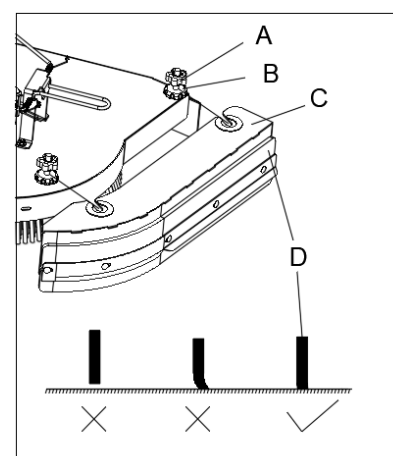
JUSTERING AV BALANSEN FÖR SIDOSTÄNKSKYDDEN

Stänkskyddshöjden måste övervakas och justeras. Kontrollera sidostänkskyddens prestanda vid rengöring med maskinen.

- A. Om stänkskydden är för höga kommer mellanrummet mellan stänkskyddet (D) och golvet att lämna vatten på golvet under svängar.
- B. Om stänkskydden är för låga kommer stänkskyddet (D) att böja sig för långt, lämna vatten under svängar och minska stänkskyddets livslängd.
- C. Korrekt justering är när stänkskydden lätt vidrör golvet från fronten till baksidan av stänkskyddet.

Justeringsförfarande enligt följande:

1. Säkerställ att däckets är i det upprätta (UPP) läget.
2. Lossa de övre fästmuttrarna (A) och ta bort stänkskyddet.
3. Justera de nedre fästmuttrarna (B) upp/ner.
4. Sätt tillbaka stänkskyddet och kontrollera justeringen.
5. Upprepa 3. & 4. efter behov tills stänkskyddsjusteringen är korrekt.
6. Dra åt de övre fästmuttrarna (A) för att säkra justeringen.
7. Upprepa förfarandet på det andra sidostänkskyddet.

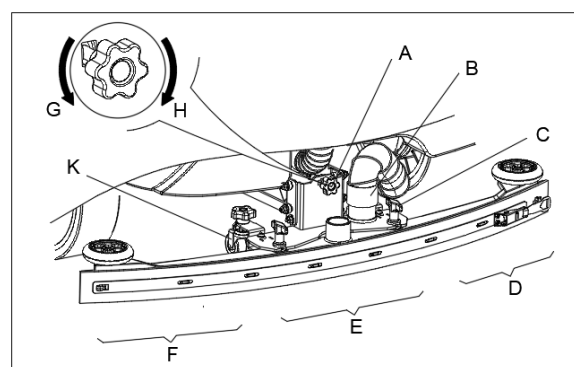


Figur 9

JUSTERA BALANSEN PÅ GUMMISKRAPAN

1. Installera gummiskrapan och skruva fast muttrarna (C, figur 10), anslut sedan vakuumslangen (B) till gummiskrapan.
2. Justera gummiskrapan med hjälp av justeringsvredet (A).
 - a) Om det finns ett mellanrum mellan golvet och mellandelen på det bakre skrapbladet (E), justera vredet (A) i moturs riktning (H) tills alla delar på det bakre skrapbladet har kontakt med golvet, och det främre bladet vidrör golvet en aning.
 - b) Om det finns ett mellanrum mellan golvet och båda ändarna på det bakre skrapbladet (D och F), justera vredet (A) i medurs riktning (G) tills alla delar på det bakre skrapbladet har kontakt med golvet, och det främre bladet vidrör golvet en aning.

Justera vid behov hela gummiskrapans höjd genom att justera hjulhöjden (K).



Figur 10

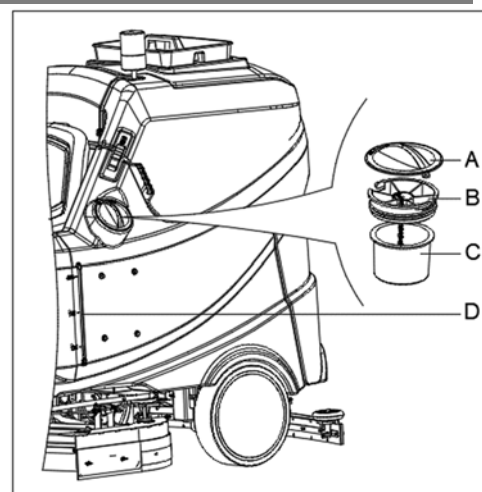
FYLLA LÖSNINGSBEHÅLLARE

1. Öppna locket för vattenintaget (A, figur 11).
 2. Fyll med vatten eller vätska som lämpar sig för arbetet genom vattenintaget med filter.
- Lösningens temperatur får inte överstiga + 104 °F (+ 40 °C).
3. Fyll inte på behållaren för mycket, se vattennivåindikatorn (D) för vattenvolymen.



VARNING!

Använd endast lågskummande och brandtåligt rengöringsmedel som är avsett för automatisk skrubbing.



Figur 11

KONTROLL AV DRIVMOTOR OCH MEKANISK BROMS

1. Vrid startnyckeln (A, figur 12) till "I", sitt på sätet (C).
2. Tryck lätt på gaspedalen (C), och släpp sedan försiktigt på den för att kontrollera om maskinen kan styras framåt och stoppas.
3. För att säkerställa säkerheten ska du bekräfta om maskinen kan stoppas omedelbart när man trycker på nödstoppsknappen (B). Vrid nödknappen för att återställa den.
4. Tryck ner den mekaniska bromspedalen (F) snabbt för att kontrollera om maskinen kan stoppas omedelbart.



VARNING!

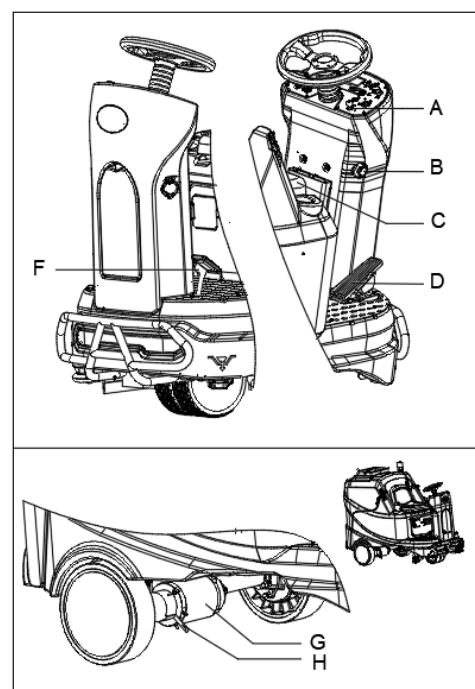
Drift-lutningskapaciteten får inte överstiga 16%. Vid arbete på sluttning ska spärrarna till behållaren (7, figur 1) hållas inkopplade. För säkerhetens skull, stoppa den aldrig i sluttning.

Vid uppförslutning med maximal lutning på 20 %, justera hastighetsbegränsande potentiometer till det maximala hastighetsläget i förväg. Tryck ner gaspedalen helt när du kör uppför sluttningen.

Om du skrubbar i en sluttning med en maximal lutning på 16 %, justera den hastighetsbegränsande potentiometern till det maximala hastighetsläget i förväg. Om displayen visar "Error 4, Tra Overload", justera borsttrycket till den lägsta inställningen.

Om du upptäcker att maskinens hastighet blir långsammare och nära stopptillståndet under klättring i en sluttning och "Error 4, Tra Overload" visas på displayen, släpp gaspedalen omedelbart och tryck ner den mekaniska bromsen.

Om "Error 4, Tra Overload" visas under klättring i en sluttning, stanna omedelbart och tryck ner den mekaniska bromsen, vrid startnyckeln till av, och vrid sedan på startnyckeln för att starta om maskinen och sluta klättra. Justera den hastighetsbegränsande potentiometern till ett långsamt hastighetsläge och tryck sedan på bakåtknappen, släpp den mekaniska bromsen och trampa försiktigt på gaspedalen så att maskinen kan röra sig långsamt bakåt tills en lägre lutning har uppnåtts.



Figur 12



FÖRSIKTIGHET

Bromsen till drivmotorn är upplåst när motorn arbetar normalt, den låses när motorn är avstängd. I vissa speciella fall, såsom maskinpackning/-uppackning, maskinfel etc., kan maskinen behöva skjutas. På drivmotorn (G, figur 12) trycker du ner bromshandtaget (H, figur 12), maskinbromsen lossas och maskinen kan flyttas. Tryck tillbaka handtaget när du är klar, så att maskinen kan fungera.

START OCH STOPP AV MASKIN

Starta maskinen

1. Förbered maskinen såsom framgår i föregående avsnitt.
2. Sätt dig på sätet (K, figur 13), sätt i startnyckeln (J, figur 13) och vrid den till "I". Kontrollera batteriernas status på displayen. Om batterierna behöver laddas (se förfarandet i underhållsavsnittet).
3. Kör maskinen till arbetsområdet.

Framåt-/bakåtriktningen kan styras med strömställaren (H, figur 13). Hastigheten kan justeras med reglaget (E, figur 13).

4. Tryck på startknappen (G, figur 13) för att starta maskinen. Skrapan och borstarna sänks automatiskt till golvet och vakuummotorn börjar arbeta.
5. Tryck på kontrollknapparna för lösningsflödet (F, figur 13) vid behov, beroende på vilken typ av rengöring som ska utföras.
6. Tryck ner gaspedalen (Q, figur 13) och börja rengöra.
7. Du kan ladda din telefon eller surfplatta genom USB-laddningsporten (M, figur 13) när startnyckeln (J, figur 13) vrids till "I".
8. Tryck på signalhornsknappen (B, figur 13) för att varna folk, om nödvändigt.
9. Om nödvändigt, tryck på nödstoppsknappen (N, figur 13) för maskinnödstopp.
10. Tryck vid behov på knappen för främre belysning (C, figur 13) för mörka områden eller för att varna fotgängare.
11. Justera vid behov sätet (K, figur 13), genom att vrida handtaget till höger om sätet och för sedan sätet till rätt läge.

**OBS!**

Borstmotorn, vakuummotorn, drivmotorn och styrkretsen skyddas av överbelastningsskydd (P, figur 13). När ett överbelastningsskydd löser ut, återställ det inte omedelbart utan att ta reda på grundorsaken, och se till att motorn har svalnat innan återställning.

Stoppa maskinen

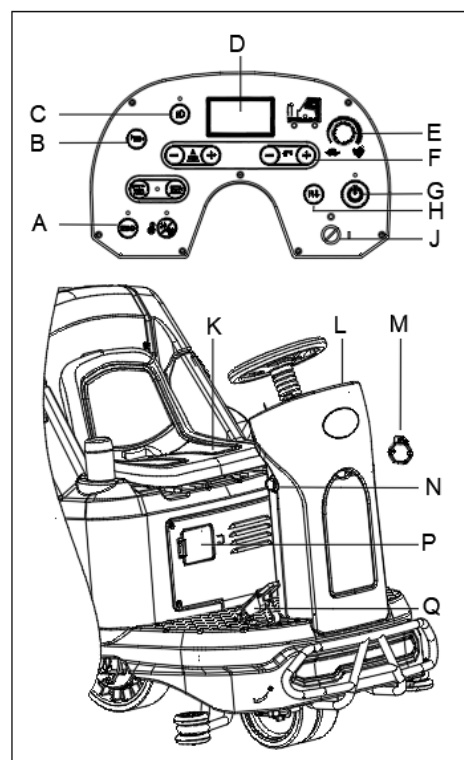
12. Släpp gaspedalen (Q, figur 13), maskinen stannar.
13. Tryck på startknappen (G, figur 13) för att stoppa borstarna och vakuummotorn. Borstarna och gummiskrapan lyfts automatiskt från golvet. Vakuumsystemet stannar efter några sekunder.
14. Vrid startnyckeln till läge "0".
15. Kontrollera att maskinen inte kan flyttas av sig själv.

MASKINDRIFT (SKURA OCH TORKA)

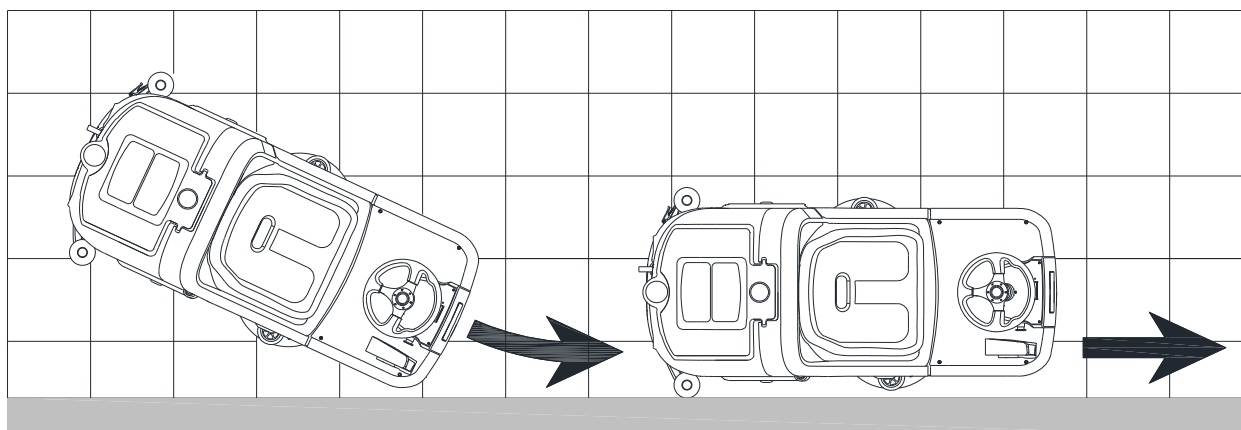
1. Starta maskinen i enlighet med förfarandena i föregående avsnitt.
2. Börja rengöra genom att följa förfarandena i avsnittet "Starta maskinen".
3. Om nödvändigt ska maskinen stoppas för att justera sidostänkskydden, i enlighet med avsnittet "Justering av balansen för sidostänkskydden".
4. Om nödvändigt ska maskinen stoppas för att justera gummiskrapan, i enlighet med avsnittet "Justering av balansen för gummiskrapan".

**OBS!**

För att skura/torka golv på rätt sätt vid sidan av väggarna. Vi rekommenderar att köra nära väggarna med den högra delen av maskinen (figur 14), såsom visas i figuren.



Figur 13



Figur 14

TÖMMA BEHÅLLAREN

Tömning av återvinningsbehållaren

När multifunktionsdisplayen (47, figur 3) visar FEL24 och indikatorn för full återvinningsbehållare (48, figur 3) är på. Den indikerar att återvinningsbehållaren (C, figur 15) är full, vakuummotorn kan inte längre torka golvet. Töm återvinningsbehållaren enligt följande steg:

1. Stoppa maskinen.
2. Lyft borst-/dynhållarens plattform och gummiskrapan genom att trycka på startknappen (51, figur 3).
3. Flytta maskinen till ett utsett tömningsområde.
4. Töm återvinningsbehållaren med slangen (D, figur 15). Skölj sedan behållaren (C, figur 15) med rent vatten.



OBSERVERA!

Vid tömning av avfallsvatten, håll tömningsslangen högt, och vik över den övre delen för att undvika spill på operatören.

Tömning av lösnings-/vattenbehållaren

1. Töm lösningsbehållaren med utloppslocket (A, figur 15). Efter att ha arbetat, skölj behållaren med rent vatten.

EFTER ATT HA ANVÄNT MASKINEN

Efter arbetet, innan man lämnar maskinen:

1. Ta bort borst-/dynhållarna genom att trycka på utlösningsknappen (56, figur 3) och rengör dem.
2. Töm behållarna (B och C, figur 15) som visas i föregående avsnitt.
3. Utför dagligt underhåll (se avsnittet Underhåll).
4. Förvara maskinen på en ren och torr plats med borst-/dynhållarna och gummiskrapan lyft eller borttagen.
5. Använd återvinningsbehållarens lock för att hålla locket öppet. Det förhindrar att lukter byggs upp inuti.

MASKINFÖRVARING VID LÅNG INAKTIVITET

Om maskinen inte kommer att användas i mer än 30 dagar, gör följande:

1. Utför de förfaranden som visas i avsnittet "Efter att ha använt maskinen".
2. Koppla ur batterikontakten.

FÖRSTA ANVÄNDNING

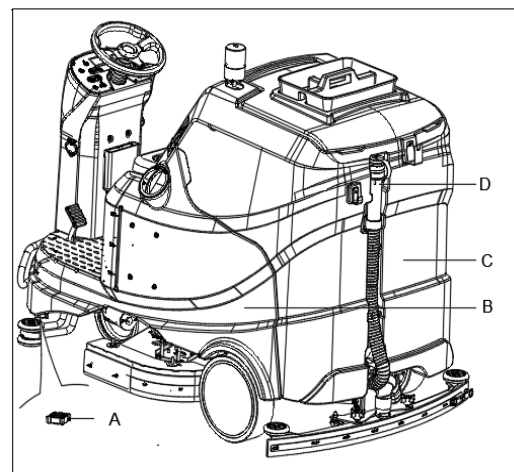
Efter de första 8 timmarna, kontrollera maskinens fastsättning och anslutande delar för korrekt åtdragning och kontrollera de synliga delarna för slitage och läckage.

UNDERHÅLL



VARNING!

Underhållsrutiner måste utföras när maskinen är avstängd och batteriets laddningskabel är fränkopplad. Läs dessutom noga igenom säkerhetskapiteln i handboken.



Figur 15

Alla schemalagda eller extraordinära underhållsrutiner måste utföras av kvalificerad personal eller en auktoriserad serviceverkstad. Denna handbok beskriver endast de allmänna och vanliga underhållsrutinerna.

För andra underhållsförfaranden som inte finns i tabellen under underhållsschemat, kontakta vår tekniska supportavdelning.

TABELL ÖVER PLANERAT UNDERHÅLL

**OBSERVERA!**

Åtgärden som anges med (1) måste utföras när maskinen används efter 8 timmar för första gången. Åtgärden som anges med (2) måste utföras av en serviceverkstad som är kvalificerad av vårt företag.

Förfarande	Dagligen, efter varje användning	Varje vecka	Halvårsvis	Varje år
Batteriladdning				
Rengöring av gummiskrapa				
Rengöring av borst-/dynhållare				
Rengöring av behållare				
Inspektion av behållarens förseglingsremsa				
Rengöring av avfallsuppsamlingslåda				
Rengöring av borst-/dynan				
Rengöring av stänkskydd				
Kontroll och utbyte av gummiskrapans blad				
Rengöring vätskefilter				
Dammsugsfilterrengöring				
Kontroll av vätskenivå för VÅT-batteri				
Kontroll av skruvar och muttrar			(1)	
Tillsätt smörjolja för roterande delar (som bromsolja)			(1)	
Kontroll och utbyte av borstmotorns kolborste				(2)
Kontroll och utbyte av vakuummotorns kolborste				(2)
Kontroll och utbyte av drivsystemmotorns kolborste				(2)

GİRİŞ

**DİKKAT!**

Bazı genel ve detaylı makine bilgisi bu kılavuz içerisine dahil edilmemiştir.

Lütfen Adobe® Reader® uygulamasını kullanarak, ürünle birlikte verilen CD-ROM'daki HIZLI BAŞLANGIÇ KILAVUZUNU okuyun.

**NOT**

Parantez içerisindeki numaralar Makine Tanıtımı bölümünde gösterilen bileşenlere işaret etmektedir.

KILAVUZUN AMACI VE İÇERİĞİ

Bu kullanım kılavuzunun amacı, operatöre tüm temel bilgiler ve teknik özellikler, işletim bilgileri, makine arızaları, yedek parçalar ve güvenlik koşulları, vb. gibi bilgileri sağlamaktır.

Makine üzerinde herhangi bir prosedür gerçekleştirmeden önce, operatörler ve teknik personel bu Kullanım Kılavuzunu dikkatlice okumalıdır. Talimatlarla ilgili aklınıza takılan herhangi bir soru olması durumunda veya daha fazla bilgi edinmek için bizimle iletişime geçin.

KULLANIM KILAVUZUNUNSAKLANMASI

Kullanım Kılavuzu makinenin yakınında, uygun bir kılıf içerisinde ve herhangi bir hasar görebileceği sıvı veya diğer maddelerden uzakta bulundurulmalıdır.

UYGUNLUK BİLDİRİMİ

Makine ile birlikte verilen Uygunluk Bildirimi, makinenin yürürlükte olan yasalara uyumlu olduğunu tasdik etmektedir.

**NOT**

Orijinal uygunluk bildiriminin kopyaları makine belgeleri ile birlikte sunulmuştur.

AKSESUARLAR VE BAKIM

Gerekli olan tüm işletme, bakım ve onarım prosedürleri kalifiye personel veya şirketimizce belirlenen servis merkezi tarafından yerine getirilmelidir. SADECE yetkilendirilmiş olan yedek parçalar ve aksesuarlar kullanılmalıdır.

Herhangi bir servis, aksesuar veya yedek parça ihtiyacı olduğunda şirketimiz müşteri hizmetleri ile irtibata geçin.

DEĞİŞİKLİK VE GELİŞTİRMELER

Ürünlerimizi sürekli olarak geliştiriyoruz. Şirketimiz ilave bilgi vermeksizin makinede değişiklik ve geliştirme yapma hakkını saklı tutmaktadır.

UYGULAMA ALANI

Fırçalayıcı ticari ve endüstriyel kullanıma uygundur. Yumuşak ve katı zemin üzerinde, kalifiye bir personel tarafından güvenli koşullarda kullanıma uygundur. Dış mekan, halı veya pürüzlü yüzeylerde kullanıma uygun değildir.

MAKİNE TANIMLAMA VERİSİ

Makine seri numarası ve model adı etiket üzerinde işaretlenmiştir.

Bu bilgi kullanışlıdır. Makine için yedek parça isteği yaparken makine tanımlama bilgilerini yazmak için aşağıdaki tabloyu kullanınız.

MAKİNE MODELİ.....

MAKİNE SERİ NUMARASI.....

TAŐIMA VE PAKETİN AÇILMASI

Nakliyeci makineyi teslim ederken paketin ve makinenin bütün ve hasara uğramamıő olduđundan emin olun. Őayet herhangi bir hasar olduđunu tespit ederseniz, zarar tazmin hakkını saklı tutmak için ürünleri kabul etmeden önce hasarı nakliyeciye bildirin.

Makinenin paketini açarken paket üzerindeki talimatlara mutlaka uyun.

Paket içerisinde aőađıdakilerin bulunduđunu kontrol edin:

1. Teknik belgeler - Kullanım talimatı.
2. Batarya bađlantı bileőenleri.
3. Elektronik batarya Őarj cihazı kılavuzu (takılıysa) (*)

GÜVENLİK

Aőađıdaki semboller potansiyel olarak tehlikeli durumları ifade etmektedir. Bu bilgiyi daima büyük bir dikkatle okuyun ve insanların ve eőyaların güvenliđini sađlamak için gereken tüm tedbirleri alın.

MAKİNE ÜZERİNDEKİ GÖRÜNÜR SEMBOLLER**UYARI!**

Makine üzerinde herhangi bir operasyon gerçekteřirmeden önce tüm talimatları dikkatlice okuyun.

**UYARI!**

Makineyi dođrudan veya basınçlı su ile yıkamayın.

**UYARI!**

Makineyi özellikler bölümünde belirtilenden daha fazla eğimde kullanmayın.

KULLANIM KILAVUZUNDA YER ALAN SEMBOLLER**TEHLİKE!**

Operatörün ölüm riski de dâhil olmak üzere tehlikeli bir durumu göstermektedir.

**UYARI!**

İnsanların karşılaőabileceđi potansiyel yaralanma riskini gösterir.

**DİKKAT!**

Önemli veya faydalı fonksiyonlara iliőkin bir uyarıyı veya iőareti belirtir.
Bu sembol ile iőaretlenen paragraflara dikkat edin.

**NOT**

Önemli veya kullanıőlı fonksiyonlara iőaret etmektedir.

**DANIŐMA**

Herhangi bir prosedür gerçekteřirmeden önce Kullanım Kılavuzuna bakma gerekliliđini göstermektedir.

GENEL GÜVENLİKTALİMATLARI

İnsanlara ve makineye karşı meydana gelebilecek potansiyel hasarlar hakkında bilgi vermek için belirlenen uyarı ve dikkat çekilecek hususlar aşağıda gösterilmiştir.



TEHLİKE!

- Bu makine eğitilmiş ve yetkili bir personel tarafından kılavuza uygun olarak çalıştırılmalıdır.
- Herhangi bir temizlik, bakım, tamirat veya değişim işlemi gerçekleştirmeden önce bütün talimatları dikkatlice okuyun, makineyi KAPATTIĞINIZDAN ve batarya bağlantısını çıkardığınızdan emin olun.
- Makineyi zehirli, tehlikeli, yanıcı ve/veya patlayıcı toz, sıvı veya buharların yakınında çalıştırmayın. Makine tehlikeli tozların toplanması için uygun değildir.
- Elektrikli donanım yakınında çalışırken ziynet eşyası takmayın.
- Güvenlik dayanakları ile desteklemeden, lifte alınmış makine altında çalışmayın.
- Kurşun (ISLAK) batarya kullanırken, normal kullanım şartlarında yanıcı gaz yayılabilir, kıvılcım, alev, duman çıkaran ve ısıya yapan, aydınlatıcı ve yanıcı malzemeleri bataryadan uzak tutun.
- Kurşun (ISLAK) bataryaları şarj ederken, patlamaya sebep olabilecek hidrojen gazı yayabilirler. Şarj ortamının iyi havalandırıldığından ve alevden uzak olduğundan emin olun.



UYARI!

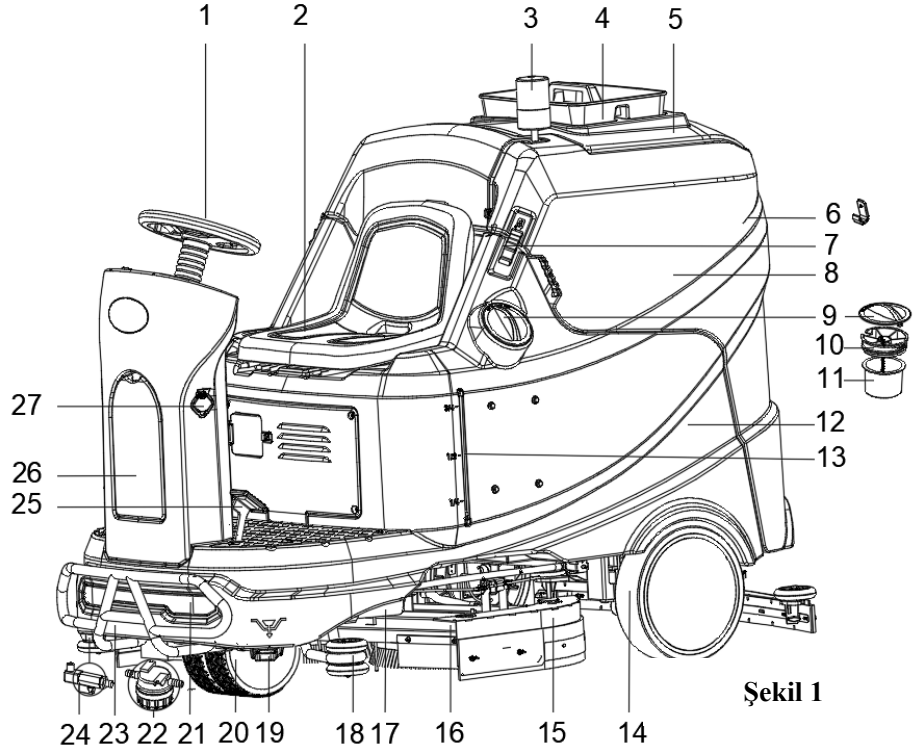
- Bu makine TİCARİ KULLANIM amaçlıdır (oteller, okullar, hastaneler, fabrikalar, mağazalar, ofisler ve kiralık işletmeler gibi).
- Gözetimsiz bırakılan makinelerin, istemsiz yapılan eylemlere karşı güvenliğini sağlayın.
- Makinenin yetkisiz kişiler tarafından kullanılmasını önlemek için güç kaynağı kapatılmalı veya kilitlenmelidir örneğin; ana şalter veya kontak anahtarını çıkararak.
- Her kullanım öncesi makineyi dikkatli bir şekilde kontrol edin. Kullanımdan önce tüm bileşenlerin doğru bir şekilde birleştigiinden emin olun. Gevşemiş bileşenler insanlara veya çevredeki nesnelere zarar verebilir.
- Makineyi asla batarya şarj cihazı kablosundan çekerek hareket ettirmeyin. Kabloyu asla kapalı kapıdan geçirmeyin veya keskin kenar veya köşelere sarmayın. Makineyi, batarya şarj cihazı kablosu üzerinden geçirmeyin. Batarya şarj kablosunu sıcak yüzeylerden uzak tutun.
- Batarya şarj cihazı kablosu veya fiş hasarlı ise bataryaları şarj etmeyin.
- Yangın, elektrik çarpması veya yaralanma riskini azaltmak için makinenin yanından ayrılmadan önce makinenin kapalı olduğundan emin olun.
- Makineyi iç mekânlarda kuru şartlarda kullanın veya saklayın. Dış mekân kullanımı için uygun değildir.
- Makinenin depolama ve çalışma sıcaklığı 0°C ile +40°C arasında, havanın nem oranı ise %30 ile %95 arasında olmalıdır.
- Makineyi özellikler bölümünde belirtilenden daha fazla eğimde kullanmayın.
- Zemin temizleme deterjanlarını kullanırken ve bunlara muamele ederken deterjan kutuları üzerindeki etiketlerde yazan talimatlara uyun ve uygun eldiven ve koruyucu kıyafetleri giyin.
- Makine ile birlikte verilen veya özellikle kullanım kılavuzunda belirtilen fırça ve keçeleri kullanın. Diğer fırça ve keçelerin kullanılması güvenliği azaltabilir.
- Lütfen makinenin bakım eksikliğinden arızalanmasına müsaade etmeyin. Eğer gerekli ise yetkili personel veya yetkili Servis Merkezinden yardım isteyin.
- Saç, takı ve bol giysilerin makinenin hareket eden parçalarına takılmasını engellemek için gereken tüm önlemleri alın.
- Makineyi özellikle tozlu alanlarda kullanmayın.

- Makineyi doğrudan veya basınçlı su ile veya korozyona sebep olabilecek maddelerle yıkamayın.
- Makineyi özellikle de nesnelere düşme riskinin olduğu raf veya yapı iskelelerine çarpmayın.
- Makine üzerindeki sıvı kaplarını yatırmayın, ilgili kap tutucusunu kullanın.
- Zemine zarar vermesini engellemek için fırça/keçenin makineye sabit iken çalışmasına müsaade etmeyin.
- Yangın durumunda lütfen kuru toz ihtiva eden yangın söndürücü kullanın. Sıvı yangın söndürücü kullanmayın.
- Makine etiketlerini sökmeyin veya değiştirmeyin.
- Makinenin güvenlik muhafazalarını bastırıp sıkıştırmayın ve normal bakım talimatlarına titizlikle uyun.
- Hava sıcaklığının sıfırın altında olduğu şartlarda makineyi taşırken dikkatli olun. Geri kazanım tankında veya borularda yer alan su donabilir ve makineye ciddi hasar verebilir.
- Şayet yedek parça değişimine ihtiyaç var ise Yetkili Satıcı veya Perakendecilerden ORJİNAL yedek parça siparişi verin.
- Makine olağan şekilde çalışmaz ise veya hasarlı bir durumda ise Servis Merkezine geri gönderin.
- Makinenin uygun ve güvenli kullanımını sağlamak için bu Kılavuzun ilgili bölümünde gösterilen bakım takviminde yer alan bakımlar yetkili bir personel veya yetkili Satıcı veya Perakendeciler tarafından gerçekleştirilmelidir.
- Özel merkezlerde (bkz. Hurdaya Ayırma bölümü) elden çıkarılmayı gerektiren belirli standartlara konu olan zehirleyici, zarar verici malzemelerin (bataryalar vb.) varlığı nedeniyle makine uygun bir şekilde elden çıkarılmalıdır.
- Bu makine yalnızca temizleme işlemleri için kullanılır, başka bir amaç için kullanılamaz.
- Girişleri, her zaman hava akışını azaltabilecek toz, saç ve diğer her tür yabancı maddelerden uzak tutun. Eğer girişleri tıkanık ise makineyi kullanmayın.
- Makineyi ancak uygun ışığın var olduğu şartlarda kullanın.
- Bu makine fiziksel, algısal veya zihinsel yetenekleri az olan veya deneyim ve bilgisi olmayan kişiler (çocukla dahil) tarafından kullanılmamalıdır.
- Çocukların yakınında kullanılırken çok dikkatli olunmalıdır.
- Çocuklar, makine ile oynamadıklarından emin olmak için gözetim altında bulundurulmalıdır.
- Bu makineyi kullanırken insan veya nesnelere zarar vermemesine dikkat edin.
- Temizlik ve bakım işlemleri ebeveynlerinin gözetimi olmadan çocuklar tarafından yapılmamalıdır.
- Operatörler, bu makinelerin kullanımı hakkında yeterli düzeyde bilgilendirilmelidir.
- Düşen nesnelere operatöre çarpmasının olası olduğu alanlarda düşen nesneye karşı koruma yapısı (FOPS) olmadan makineyi kullanmayın.

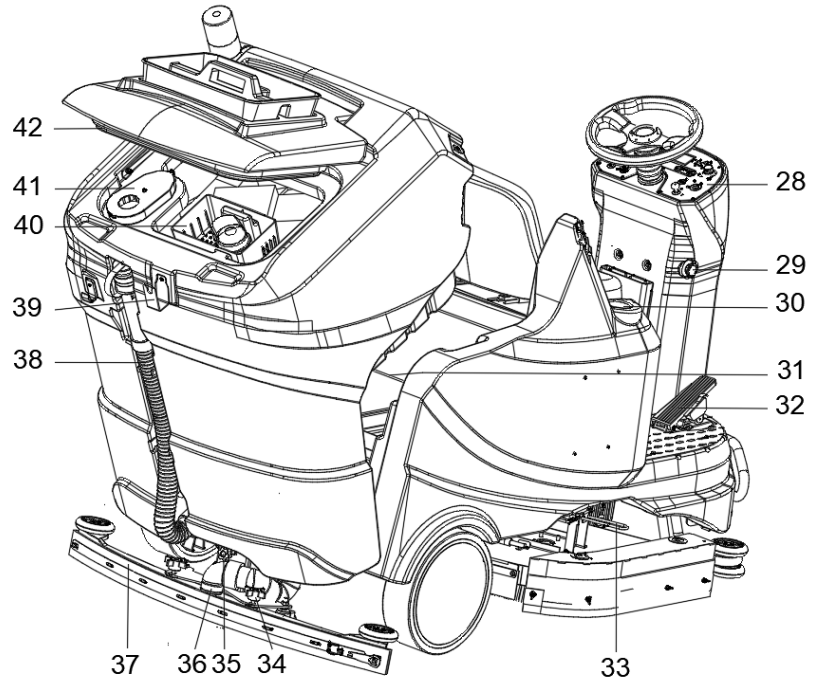
MAKİNE TANITIMI

MAKİNE YAPISI* - isteğe bağlı

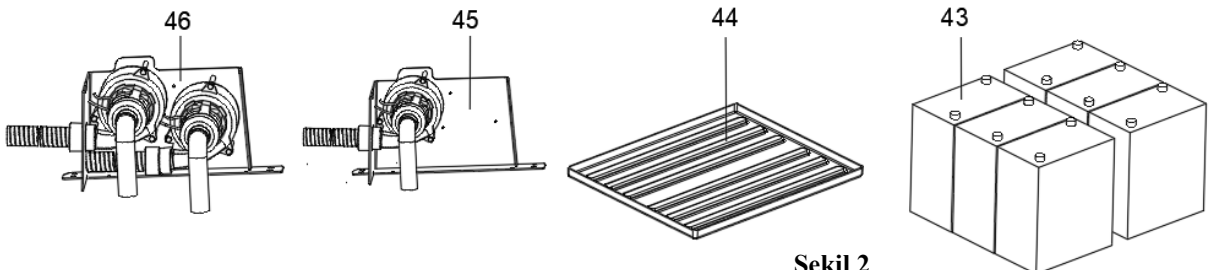
1. Direksiyon
2. Koltuk, ayarlanabilir (güvenlik anahtarı ile)
3. Uyarı ışığı
4. Yardımcı kutu (*)
5. Geri kazanım tankı kapağı
6. Kanca
7. Mandal (x2)
8. Geri kazanım tankı
9. Filtre kapağı
10. Filtre hortum tutucu
11. Filtre desteği
12. Solüsyon tankı
13. Su seviyesi tüpü
14. Direksiyon simitleri (mekanik frenli)
15. Yan çamurluklar
16. Fırça aparatı
17. Pompa
18. Tampon tekerlekleri
19. Solüsyon tankı atık kapağı
20. Ön tekerlekler
21. Ön farlar
22. Solüsyon filtresi
23. Ön tampon
24. Solüsyon kapama valfi
25. Mekanik fren pedalı
26. Dahili depolama kapağı
27. USB şarj girişi
28. Kontrol paneli
29. Acil durum anahtarı
30. Bardak tutacağı
31. Geri kazanım tankı destek kablosu
32. Gaz pedalı
33. Fırça/Keçe sürücüsü montaj durdurucu
34. Silecek topuzları
35. Silecek açma ayarlaması topuzu
36. Silecek vakum hortumu
37. Silecek
38. Geri kazanım su atık borusu
39. Silecek kancası
40. Birikinti toplama kutusu
41. Vakum giriş filtresi
42. Tank kapak contası
43. Bataryalar (N/A)
44. Batarya sehpası (*)
45. Vakum sistemi
46. Çift vakum sistemi (*)



Şekil 1

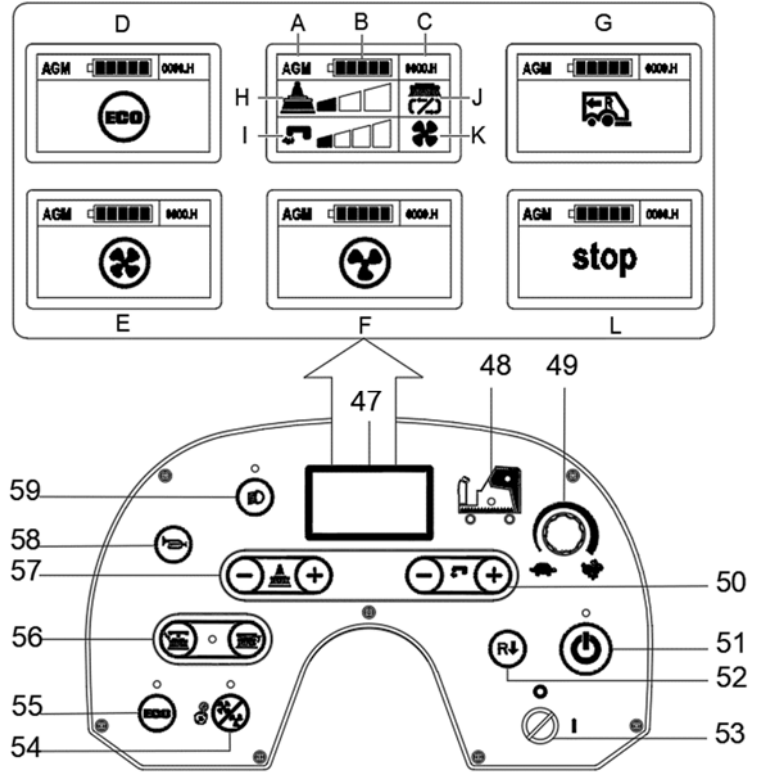


Şekil 2

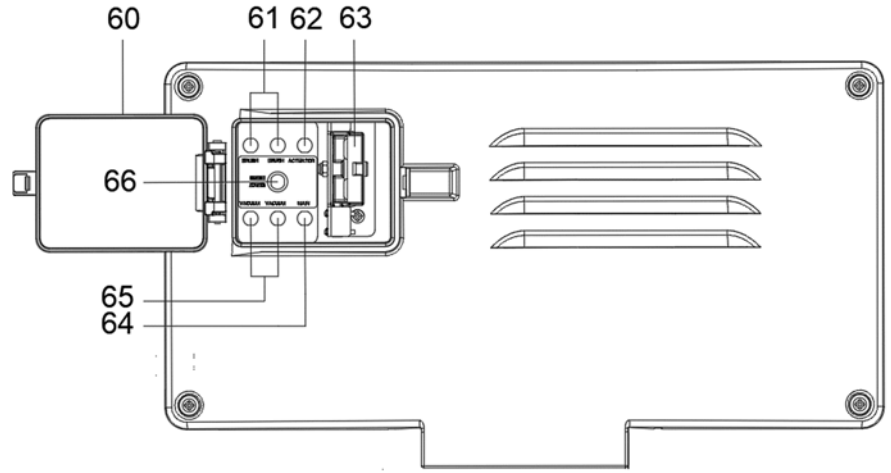


KONTROL PANELİ (görseldeki gibi)

47. Çok fonksiyonlu ekran
Görüntülenen öğeler:
A) Batarya tipi
B) Batarya şarj seviyesi
C) Çalışılan saatler
D) ECO modu
E) Vakum normal modu
F) Vakum sessiz modu
G) Geri modu
H) Ekstra basınç aktif
I) Deterjan solüsyonu akış miktarı
J) Fırça çalışma modu
K) Vakum modu
L) Koltuk güvenlik anahtarı kapalı
48. Geri kazanım tankı dolu/ solüsyon Tankı boş göstergesi
49. Hız ayarlama topuzu
50. Solüsyon akışı ayarlama düğmeleri
51. Tek düğmeyle başlatma
·Yukarı düğme fonksiyonundaki LED aktive edilir
·su sistemi (seviye 2)
·basınç minimum seviyede (seviye 1)
·vakum sistemi normal
52. İleri-geri düğmesi
53. Kontak anahtarı (0=AÇIK I=KAPALI)
54. Vakum sistemi ayarlama düğmesi
(etkinleştirmek için düğmeye 1 sn basın)
·LED Yanıyor -normal mod
·LED Yanıp sönüyor -Sessiz mod
55. ECO modu düğmesi
·Yukarı düğme fonksiyonundaki LED aktive edilir
·minimum seviyede su akışı (seviye 1)
·basınç minimum seviyede (seviye 1)
·Sessiz modda vakum
56. Fırça/keçe tutucu tıklama açık/kapalı
·LED Yanıp Sönüyor-Tıklama etkinleştirildi
57. Fırça basıncı ayarlama düğmeleri
58. Korna düğmesi
59. Ön far düğmesi
60. Şarj fişi kapağı
61. Fırça motorları aşırı yük koruyucuları (30A)
62. Fırça kaldırma aşırı yük koruyucusu (3A)
63. Şarj fişi
64. Ana kontrol devresi aşırı yük koruyucusu (5A)
65. Vakum motoru/motorları aşırı yük koruyucusu (30A)
66. Silecek kaldırma aşırı yük koruyucusu (3A)



Şekil 3



Şekil 4

TEKNİK ÖZELLİKLER

Parametre Tipi	AS1050R
Voltaj	36 V
Anma gücü (GİRİŞ)	125A/4500W
IP koruma sınıfı	IP24
Solüsyon tankı kapasitesi	200L / 53 Gal.
Geri kazanım tankı kapasitesi	200L / 53 Gal.
Silme genişliği	980mm/35,58 inç
Fırça/Keçe çapı	508 mm x 2 /20 İnç x 2
Fırça/Keçe basıncı (maks.)	90 Kg /198 Lb.
Fırça motor gücü (GİRİŞ)	2 X 1000 Watt / 2 X 1,3 HP
Normal modda fırça hızı	240 RPM
ECO modunda fırça hızı	175 RPM
Ayar/dakika başına Solüsyon Akışı (maks)	(1,6/2,3/3,3/4,6) Litre / 0,42/0,61/0,87/1,22 Gal
Ses basınç seviyesi (bir vakum motoru)	72 ± 3 dB (A)
Ses basıncı seviyesi (iki vakum motoru) (*)	75 ± 3 dB (A)
ECO modda veya sessiz modda ses basıncı seviyesi	69 ± 3 dB (A)
Vakum motor gücü	600 W / 0,8 HP
USB şarjı	5V 2,4 A MAKS.
Verimlilik (maks)	7840 m ² /h/84389 ft ² /h
Çalışma hızı	Saatte 0 – 8 Km / 0 – 5 Mil
İleri hız	Saatte 0 – 8 Km / 0 – 5 Mil
Geri hız	Saatte 0 – 5 Km / 0 – 3,1 Mil
Tahrik motoru gücü (GİRİŞ)	1600 W / 2,1 HP
Min. koridor dönüşü	2650mm/104 inç
Tırmanma kapasitesi (maks.) taşıma	20%
Tırmanma kapasitesi (maks.) çalışma	16%
Tahrik dişlisi çapı	340mm/13,4 inç
Zemin üzerinde tahrik tekerleği özgül basıncı	0,68 N/mm ²
Ön tekerlek çapı	250 mm/10 inç
Zemin üzerinde tahrik dişlisi özgül basıncı	0,62 N/mm ²
Kol Titreşim Seviyesi (maks.)	< 2,5 m/s ²
Sehpa olmadan Batarya Bölmesi Boyutu (U x G x Y)	(680x560x450) mm / 26,7 x 22 x 17,7 İnç
Sehpa ile birlikte Batarya Bölmesi Boyutu (U x G x Y)	(665x550x430) mm / 26,1 x 21,6 x 16,9 İnç
Ön tampon olmadan Makine Uzunluğu	1875mm/73,8 inç
Silecek olmadan makine genişliği	1077mm/42,4 inç
Makine Yüksekliği	1350 mm/53 inç
Makine Yüksekliği (Üstten koruyuculu)	1955 mm/77 inç
Boş tanklar ile (bataryasız) makinenin ağırlığı	398 Kg / 853,6 Lb.
Brüt Araç Ağırlığı (GVW)	870 Kg / 1914 Lb.
Brüt Araç Ağırlığı (GVW) (Üstten koruyuculu)	897 Kg / 1973 Lb.
Sevkiyat Ağırlığı	490 Kg / 1078 Lb.
Paket boyutları (U x G x Y)	(2110 x 1220 x 1535 mm) / (83 x 48 x 60,4 İnç)

(*) : Opsiyonel

ÇALIŞTIRMA KILAVUZU

**UYARI!**

Makinenin bazı noktalarında şu uyarıları gösteren yapıştırma plakalar mevcuttur:

- TEHLİKE!
- UYARI!
- DİKKAT!
- DANIŞMA

Bu Kullanım Kılavuzunu okurken, kullanıcı etiketlerde gösterilen sembollere dikkat göstermelidir. Bu plakaları hiç bir sebeple kapatmayın ve eğer zarar görürlerse hemen yenisiyle değiştirin.

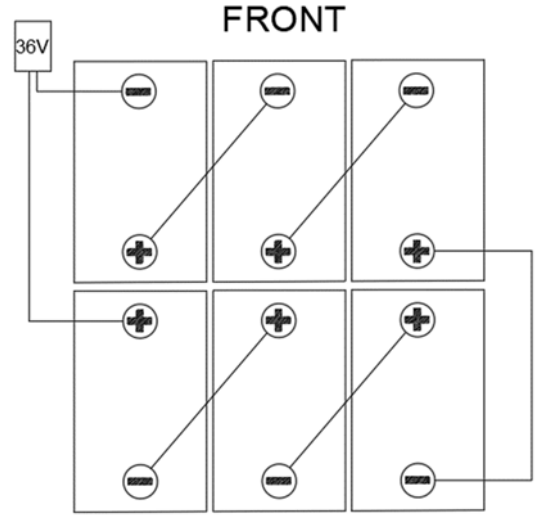
YENİ MAKİNEDENİ BATARYA KONTROLÜ/AYARI

**UYARI!**

Eğer bataryalar yanlış bir şekilde yerleştirilir veya bağlanırsa makinenin elektrikli bileşenleri ciddi şekilde zarar görebilir. Bataryalar sadece kalifiye bir personel tarafından yerleştirilmelidir. Kullanılan batarya (ISLAK veya JEL/AGM/DIS/ENE bataryalar) tipine göre aşağıdaki prosedürü uygulayarak batarya tipini ayarlayın. Takmadan önce bataryaların hasarlı olup olmadığını kontrol edin. Batarya bağlantısını ve şarj cihazı fişini çıkarın. Bataryalara dikkatli bir şekilde muamele edin. Makine ile birlikte verilen batarya terminali koruma kapaklarını takın.

**NOT**

Makine, Şekil 5 'teki konumlarda monte edilmiş ve bağlı olan altı adet 6V bataryaya ihtiyaç duyar.



Şekil 5

Makinelere monte edilmiş durumdaki bataryalar

1. Batarya bağlantısının bağlı olduğundan emin olun.
2. Makineyi yeni bataryalarla ilk kez kullandığınızda, tam bir şarj işlemi gerçekleştirin (Bakım bölümündeki prosedüre bakın).

Bataryasız

1. Uygun bataryaları satın alın (bkz. "Teknik Veriler" paragrafı). Batarya seçimi ve kurulumu için yetkili batarya Satıcısı ile iletişime geçin.
2. Aşağıdaki prosedürü uygulayarak batarya tipi ayarını yapın.

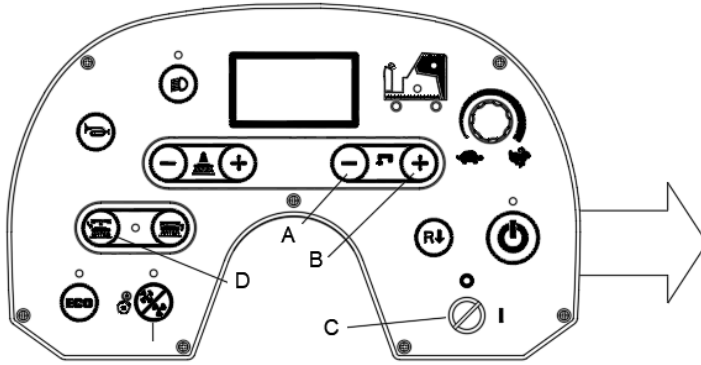
BATARYA KURULUMU VE BATARYA TİPİ AYARI (ISLAK /JEL/ AGM/ DIS/ ENE)**Batarya kurulumu**

1. Sol ve sağ mandalları açın (7, Şekil 1).
2. Geri kazanım tank kapağını (5, Şekil 1) açın ve geri kazanım tankının (8, Şekil 1) boş olup olmadığını kontrol edin; eğer boş değilse boşaltma hortumu ile boşaltın (38, Şekil 2).
3. Geri kazanım tank kapağını kapatın (5, Şekil 1).
4. Geri kazanım tankını dikkatlice (8, Şekil 1).
5. Geri kazanım tankı kablosunu sökün ve tüm geri kazanım tankı tertibatını çıkarın.
6. Geri kazanım tankı dönüş kablosunun (31, Şekil 2) bir vidasını çıkarın ve geri kazanım tankını sökün.
7. Geri kazanım tankının altındaki dört vidayı sökün.
Makine altı adet 6V bataryayı takmaya uygun kablolar ile gelmektedir. Bataryaları bölmeye dikkatlice yerleştirin, daha sonra Şekil 5'te gösterildiği gibi monte edin. Bataryayı sabitleme plakasını düzgün bir şekilde yerleştirin.
8. Batarya kablosunu Şekil 5'te gösterildiği gibi yerleştirin ve ardından her bir terminal üzerindeki somunu dikkatlice sıkın.

9. Her bir terminal üzerindeki koruyucu kapağı yerleştirin ve daha sonra batarya bağlantısını makineye bağlayın.
10. Geri kazanım tankını sökme işleminin tersi sırayla monte edin.
11. Geri kazanım tankını dikkatlice alçaltın.

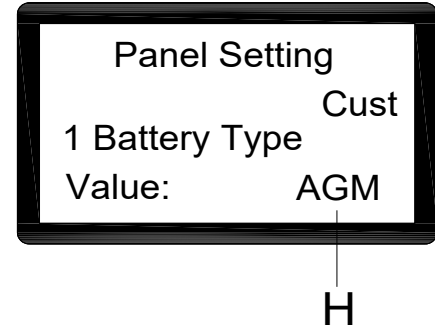
Batarya tipi ayarı (ISLAK/JEL/AGM/DIS/ENE) Batarya modunu seçmek için erişim

Batarya türüne (ISLAK/JEL/AGM/DIS/ENE) göre makineyi aşağıdaki şekilde ayarlayın:



Şekil 6

Access to select battery mode



1. Su akış düğmelerine "-" (A, Şekil 6) ve "+" (B, Şekil 6) aynı anda basın.
2. Kontak anahtarını (C, Şekil 6) takın ve "I" pozisyonuna getirin.
3. Birkaç saniye sonra, batarya modu seçme ekranına (Şekil 6) giriş yapın.
4. Su akış düğmelerine "-" (A, Şekil 6) ve "+" (B, Şekil 6) basarak batarya modunu seçin (H, Şekil 6).
5. Serbest bırakma düğmesine basın (D, Şekil 6), 3 saniye sonra gösterilen "Güncelleme OK" ayarın başarılı olduğunu belirtir; makineyi yeniden başlatın. (C, Şekil 6).

Batarya şarjı

Bataryaları tam olarak şarj edin (Bakım bölümündeki prosedüre bakın).

Batarya deşarjı

Batarya göstergesi dolu olduğunda (G, Şekil 7), bataryalar tamamen doludur. Batarya göstergesi düşük olduğunda (H, Şekil 7), bataryalar şarj edilmelidir. Düşük batarya göstergesi çıktıktan birkaç saniye sonra, tahrik sistemi açıkken fırça motorları otomatik olarak kapatılır. Makineyi hemen belirlenmiş şarj alanına götürün.



Şekil 7

FIRÇA/KEÇE TUTUCUNUN KURULUMU VE SÖKÜLMESİ



NOT

Fırça (A, Şekil 8) veya keçe tutucuyu (B ve C Şekil 8) temizlenecek olan zemin tipine göre takın.



DİKKAT!

Fırça veya keçe tutucunun takılması veya çıkarılmasından önce, makinedeki tüm anahtarların kapalı konumda olduğundan ve sileceğin yerden kaldırıldığından emin olun. Kullanıcı kaza riskini azaltmak için eldiven gibi uygun kişisel koruma cihazları ile donatılmış olmalıdır.

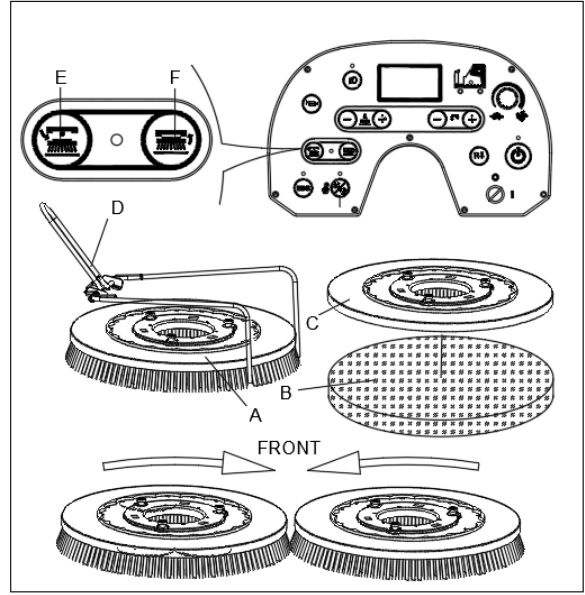
Şu şekilde devam edin:

KURULUM:

1. Kontak anahtarını (53, Şekil 3) takın ve "I" pozisyonuna getirin. İskeleyi kaldırın.
2. Fırçaları (A, Şekil 8) veya keçe tutucuları (B, Şekil 8) iskelemin altına yerleştirin. Uygun fırça/keçe tutucu pozisyonunu bulmak için fırça kurulum durdurucuyu (D, Şekil 8) kullanın.
3. Fırça/keçe tutucuyu takmak için Fırça/keçe tutucu düğmesine (F, Şekil 8) basarak iskeleyi kaldırın; bu şekilde fırça/keçe tutucu otomatik olarak takılır. Dönüş yönü gösterilmiştir (Şekil 8). LED gösterge ışığı yanıp sönecektir.

SÖKME:

1. Kontak anahtarını (53, Şekil 3) takın ve "I" pozisyonuna getirin. Fırça/keçe tutucunun kalkık (YUKARI) konumunda olduğundan emin olun. Fırça/keçe tutucuyu çıkarmak için fırça/keçe tutucu serbest bırakma düğmesine (E, Şekil 8) bastığınızda fırça/keçe tutucu otomatik olarak serbest bırakılır. LED gösterge ışığı sabit olacaktır.



Şekil 8

Fırça kapatma düğmesine basıp, açma düğmesine basarsanız, kontak anahtarını kapatmalı ve açmalısınız; makine yeniden çalışabilir.

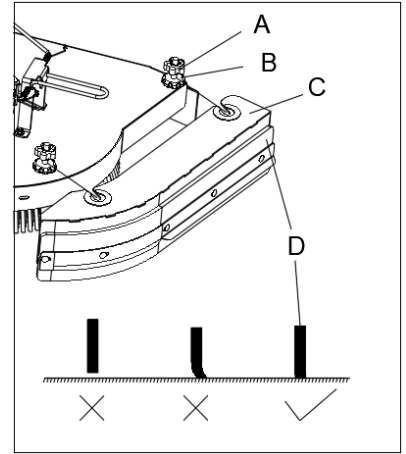
ÇAMURLUKLARIN DENGESİNİN AYARLANMASI

Çamurluk yüksekliğinin kontrol edilmesi ve ayarlanması gerekir. Makine ile temizlik yaparken, çamurlukların çalışmasını kontrol edin.

- A. Çamurluklar çok yüksekse çamurluk (D) ile zemin arasındaki boşluk, dönüşler sırasında zeminde su bırakacaktır.
- B. Çamurluklar çok aşağıdaysa çamurluk (D) çok fazla sapma yaparak dönüşler sırasında su bırakarak çamurlukların ömrünü azaltacaktır.
- C. Uygun ayarlama, çamurlukların zemine önden arkaya hafifçe temas etmesidir.

Ayarlama prosedürü aşağıdaki gibidir:

1. İskelemin kalkık (YUKARI) konumunda olduğundan emin olun.
2. Üst sabitleme somunlarını (A) gevşetin ve çamurluk tertibatını çıkarın.
3. Alt sabitleme somunlarını (B) yukarı/aşağı ayarlayın.
4. Çamurluk tertibatını yeniden takın ve ayarı kontrol edin.
5. Çamurluk ayarı doğru olana kadar 3. ve 4. adımları tekrarlayın.
6. Ayarı sabitlemek için üst sabitleme somunlarını (A) sıkın.
7. Bu prosedürü diğer taraftaki çamurlukta tekrarlayın.

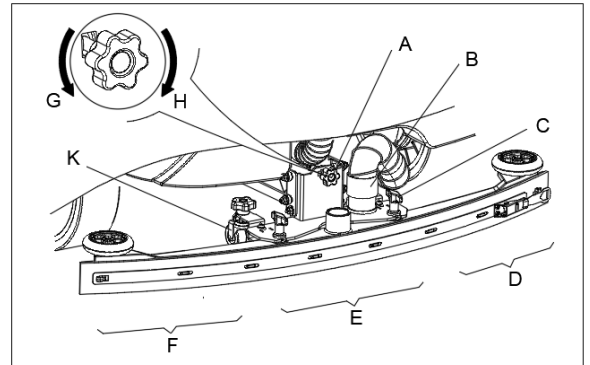


Şekil 9

ŞİLECEĞİN DENGESİNİN AYARLANMASI

1. Sileceği yerleştirin ve somunları (C, Şekil 10) sıkın, daha sonra vakum hortumunu (B) sileceğe bağlayın.
2. Sileceği, silecek ayarlama topuzu (A) ile ayarlayın.
 - a) Arka silecek bıçağının (E) zemin ve orta bölümü arasında boşluk var ise topuzu (A) saat yönünde (H) arka silecek bıçağının tüm bölümleri zemin ile iyi bir şekilde temas edecek şekilde ve ön bıçak zemine hafifçe temas edecek şekilde ayarlayın.
 - b) Eğer arka bıçağın (D ve F) zemin ve her iki ucu arasında boşluk var ise topuzu (A) saat yönünün tersine (G), arka silecek bıçağının tüm bölümleri zemin ile iyi bir şekilde temas edecek ve ön bıçak zemine hafifçe temas edecek şekilde ayarlayın.

Gerekirse tekerlek (K) yüksekliğini ayarlayarak tüm silecek yüksekliğini ayarlayın.



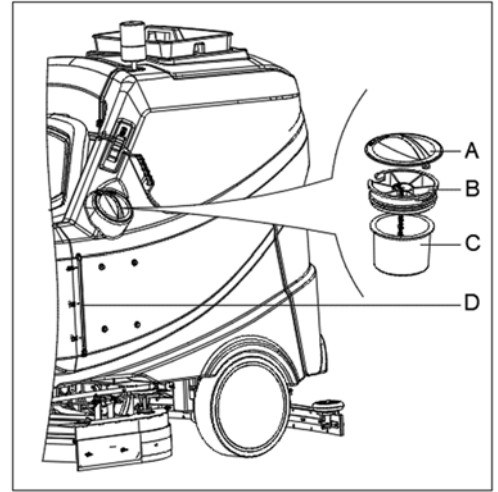
Şekil 10

SOLÜSYON TANKINI DOLDURMA

1. Su giriş kapağını açın (A, Şekil 11).
2. Filtreli su girişinden iş performansına uygun olan su veya solüsyonu doldurun. Solüsyon sıcaklığı +104F (+40°C) 'yi aşmamalıdır.
3. Tankı fazla doldurmayın, su hacmi için su seviye göstergesine (D) bakın.

**UYARI!**

Sadece otomatik ovma uygulamaları için olan düşük köpüklü, yanmaz deterjanları kullanın.



Şekil 11

TAHRİK MOTORU VE MEKANİK FREN MUAYENESİ

1. Kontak anahtarını (A, Şekil 12) "I" konumuna getirin, koltuğa (C) oturun.
2. Gaz pedalına (C) hafifçe basın, daha sonra makinenin ileri hareket ettirebildiğini ve durdurulabildiğini kontrol etmek için serbest bırakın.
3. Güvenlikten emin olmak için, acil durum düğmesine (B) basıldığında makinenin hemen durdurulabildiğinden emin olun. Eski haline getirmek için acil durum düğmesini çevirin.
4. Makinenin hemen durdurulup durdurulamayacağını kontrol etmek için mekanik fren pedalına (F) hızlı bir şekilde basın.

**UYARI!**

Çalışma tırmanma kapasitesi %16'yı aşmamalıdır. Eğim üzerinde çalışırken, tank mandalları (7, Şekil 1) bağlı tutulmalıdır. Güvenlik için, asla yokuşta durdurmayın.

Maksimum %20'lik bir eğime tırmanırken, hız sınırlandırma potansiyometresini önceden maksimum hız konumuna ayarlayın. Eğime tırmanırken gaz pedalını maksimum düzeye itin.

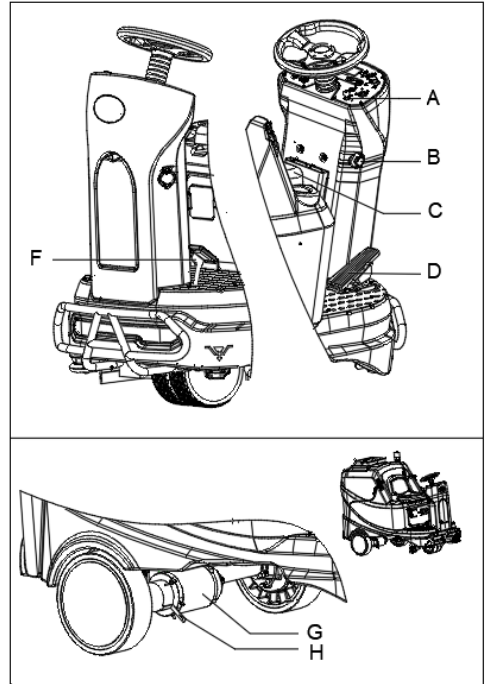
Maksimum %16'lık bir eğimde silme yapıyorsanız, hız sınırlandırma potansiyometresini önceden maksimum hız konumuna ayarlayın. Ekranda "Error 4, Tra Overload" yazısı görüntülenirse, fırça basıncını en düşük seviyeye ayarlayın.

Bir eğime tırmanırken makinenin hızının azaldığını ve durma durumuna yaklaştığını fark ederseniz ve ekranda "Error 4, Tra Overload" yazısı görüntüleniyorsa, ayağınızı derhal gaz pedalından çekin ve mekanik frene basın.

Bir eğime tırmanırken "Error 4, Tra Overload" yazısı görüntüleniyorsa, derhal durun ve mekanik frene basın, kontak anahtarını kapalı konuma çevirip, ardından yeniden çalıştırmak için anahtarı açık konuma çevirerek tırmanma işleminden vaz geçin. Hız sınırlandırma potansiyometresini düşük hız konumlarından birine ayarlayıp, ardından geri düğmesine basın, ayağınızı mekanik frenden çekin, nazik bir şekilde gaza basarak, daha düşük bir eğime ulaşana kadar makinenin geri gidebilmesini sağlayın.

**DİKKAT!**

Motor normal bir şekilde çalıştığında tahrik motorunun freni serbesttir, motor durduğunda fren kilitlenir. Makine paketleme/paket açma, makine arızası vb. gibi bazı özel durumlarda makinenin itilmesi gerekebilir. Tahrik motorunda (G, Şekil 12) fren kolunu aşağı ittiğinizde (H, Şekil 12), makine freni serbest bırakılır ve makine hareket ettirilebilir. İşlemi tamamladıktan sonra, makinenin çalışabilmesi için kolu geri itin.



Şekil 12

MAKİNEİN ÇALIŞTIRILMASI VE DURDURULMASI**Makineyi çalıştırın**

1. Daha önceki paragrafta gösterildiği şekilde makineyi hazırlayın.
 2. Koltuğa oturun (K, Şekil 13), Kontak anahtarını (J, Şekil 13) takın ve "I" konumuna çevirin. Ekrandan bataryaların durumunu kontrol edin. Gerekirse bataryaları şarj edin (Bakım bölümündeki prosedüre bakın).
 3. Makineyi çalışma alanına götürün.
- İleri/geri yönü, anahtar ile kontrol edilebilir (H, Şekil 13). Hız, ayarlayıcı (E, Şekil 13) ile ayarlanabilir.
4. Makineyi başlatmak için Tek Düğmeyle Başlat düğmesine (G, Şekil 13) basın, silecek ve fırçalar otomatik olarak zemine indirilir ve vakum motoru çalışmaya başlar.

5. Solüsyon akışı kontrol düğmelerine (F, Şekil 13), yapılacak temizlik türüne göre gerektiği şekilde basın.
6. Gaz pedalına basın (Q, Şekil 13) ve temizlemeye başlayın.
7. Kontak anahtarı (J, Şekil 13) "I" pozisyonunda iken, telefonunuzu veya tabletinizi USB şarj portu (M, Şekil 13) ile şarj edebilirsiniz.
8. Gerekliğinde insanları uyarmak için kornaya (B, Şekil 13) basın.
9. Makinenin acil durumda durdurulması için gerektiğinde acil durum düğmesine (N, Şekil 13) basın.
10. Gerekirse karanlık alanlarda veya yayaları uyarmak için ön ışıklar düğmesine (C, Şekil 13) basın.
11. Gerekirse koltuğun sağındaki kolu sağa çevirerek koltuğu ayarlayın (K, Şekil 13), daha sonra koltuğu uygun konuma kaydırın.

**NOT**

Fırça motoru, vakum motoru, tahrik motoru ve kontrol devresi aşırı yük koruyucusu ile korunmaktadır (P, Şekil 13). Aşırı yük koruyucusu arızalandığında, sebebini öğrenmeden hemen sıfırlamayın ve sıfırlamadan önce motorun soğuduğundan emin olun.

Makineyi durdurun

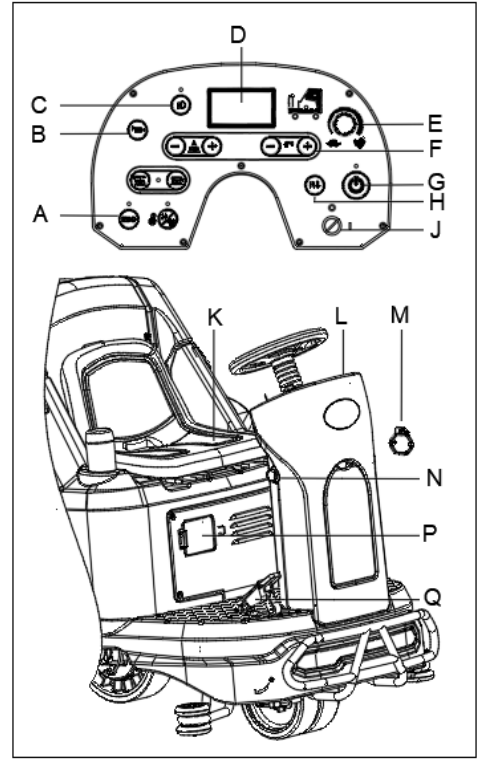
12. Gaz pedalını (Q, Şekil 13) serbest bıraktığınızda makine hareketi durdurur.
13. Fırçaları ve vakum motorunu durdurmak için Tek Düğmeyle Başlat düğmesine (G, Şekil 13) basın. Fırçalar ve silecek otomatik olarak zeminden kaldırılır. Vakum sistemi birkaç saniye sonra kapanır.
14. Kontak anahtarını "0" konumuna çevirin.
15. Makinenin bağımsız olarak hareket etmediğinden emin olun.

MAKİNEİNİN ÇALIŞTIRILMASI (SİLME VE KURUTMA)

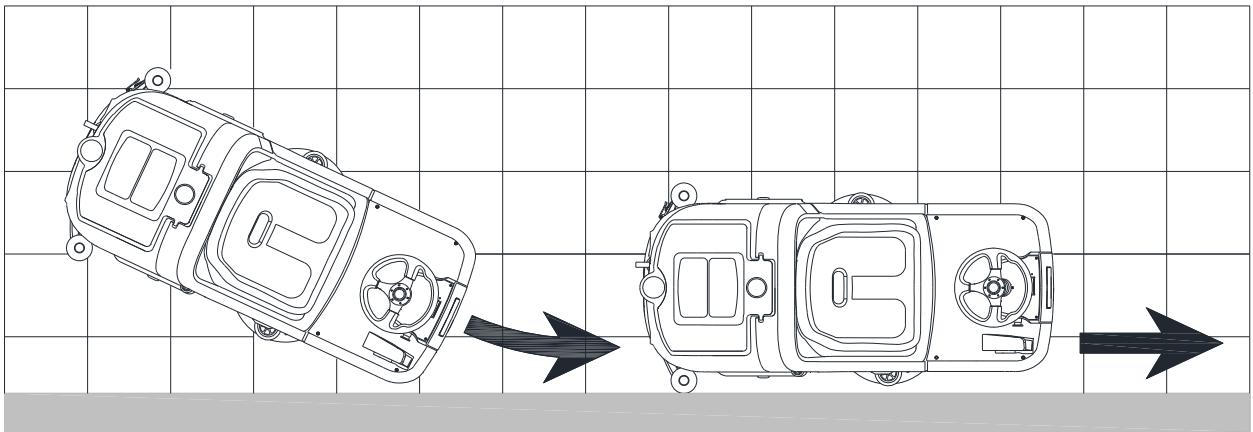
1. Makineyi önceki paragraflardaki prosedürlere göre çalıştırın.
2. "Makinenin çalıştırılması" bölümündeki prosedürlere göre temizliğe başlayın.
3. Gerekirse "Yan çamurlukların dengesinin ayarlanması" bölümüne göre yan çamurlukları ayarlamak için makineyi durdurun.
4. Gerekirse "Silecek dengesinin ayarlanması" bölümüne göre sileceği ayarlamak için makineyi durdurun.

**NOT**

Duvarların kenarlarındaki zeminlerin doğru silinmesi/kurutulması için. Makinenin sağ tarafı (Şekil 14) ile şekilde gösterildiği şekilde duvarın yanına yaklaşılması önerilir.



Şekil 13



Şekil 14

TANK BOŞALTMA

Geri kazanım su tankının boşaltılması.

Çok İşlevli ekran (47, Şekil 3) ERROR24 'ü gösterdiğinde geri kazanım tankı dolu göstergesi (48, Şekil 3) açılır. Geri kazanım tankının (C, Şekil 15) dolu olduğunu, vakum motorunun zemini daha fazla kurutamayacağını gösterir. Geri kazanım tankını aşağıdaki adımları izleyerek boşaltın:

1. Makineyi durdurun.
2. Tek düğmeyle başlatmaya (51, Şekil 13) basarak, fırça/keçe tutucu iskelesini ve sileceği kaldırın.
3. Makineyi belirlenen elden çıkarma noktasına götürün.
4. Geri kazanım su tankını hortumla (D, Şekil 15) boşaltın. Daha sonra tankı (C, Şekil 15) temiz su ile durulayın.



DİKKAT!

Atık suyu boşaltırken, atık borusunu yukarıda tutun ve operatörün üzerine dökülmesini önlemek için üst bölümü katlayın.

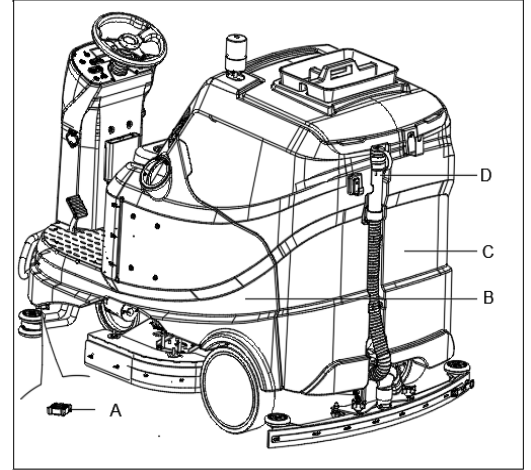
Solüsyon/temiz su tankı boşaltma

1. Solüsyon tankını çıkış kapağıyla (A, Şekil 15) boşaltın. Çalışmadan sonra tankı temiz su ile durulayın.

MAKİNEYİ KULLANDIKTAN SONRA

Çalışma sonrası makineyi terk ederken:

1. Serbest bırakma düğmesine (56, Şekil 3) basarak fırçaları/keçe tutucuları çıkarın ve temizleyin.
2. Tankları (B ve C, Şekil 15) bir önceki paragrafta gösterildiği şekilde boşaltın.
3. Günlük bakım prosedürlerini gerçekleştirin (bkz. Bakım bölümü).
4. Makineyi temiz ve kuru bir yerde, fırçalar/keçe tutucular ve silecek kaldırılmış veya sökülmüş şekilde muhafaza edin.
5. Kapağı açık tutmak için geri kazanım kapağı desteğini kullanın. Böylece kokuların içeride birikmesi önlenmiş olacaktır.



Şekil 15

UZUN ZAMAN KULLANILMAYAN MAKİNEİNİN DEPOLANMASI

Eğer makine 30 günden daha fazla kullanılmayacak ise, aşağıdaki şekilde devam edin:

1. Makinenin Kullanım Sonrası Bakımı paragrafındaki prosedürleri uygulayın.
2. Batarya bağlantısını ayırın.

KULLANIMIN İLK PERİYODU

İlk 8 saatten sonra makinenin sıkıştırma ve bağlantı parçalarının sıkılığını kontrol edin ve görünen parçaların yıpranma ve sızıntı durumunu kontrol edin.

BAKIM



UYARI!

Bakım işlemleri, makine kapalı iken ve batarya şarj cihazı kabloları çıkarılmış durumda iken gerçekleştirilmelidir. Ayrıca, bu talimatlardaki güvenlik bölümünü dikkatlice okuyun.

Tüm planlı ve plansız bakım prosedürleri kalifiye bir personel veya yetkili bir Servis Merkezi tarafından gerçekleştirilmelidir. Bu kılavuz sadece en basit ve en genel bakım prosedürlerini tarif etmektedir.

Aşağıdaki bakım çizelgesi tablosunda yer almayan diğer bakım prosedürleri için Teknik Destek Departmanımız ile iletişime geçiniz.

PLANLI BAKIM TABLOSU

**DİKKAT!**

Makine ilk 8 saat kullanımdan sonra (1) ile işaretli olan prosedürler yerine getirilmelidir. thefirst time. (2) ile işaretlenmiş olan prosedürler şirketimiz tarafından yetkilendirilen Servis Merkezi tarafından gerçekleştirilmelidir.

Prosedür	Her kullanımdan sonra, günlük olarak	Haftalık	Altı aylık	Yıllık
Batarya şarjı				
Silecek temizleme				
Fırça/Keçe tutucu temizleme				
Tank temizleme				
Tank conta bandı muayenesi				
Artık toplama kutusunu temizleme				
Fırça/Keçe temizleme				
Çamurluk temizliği				
Silecek bıçağı kontrolü ve değiştirme				
Solüsyon filtresi temizliği				
Vakum giriş filtresi temizliği				
ISLAK batarya sıvı seviye kontrolü				
Vida ve somun sıklığı kontrolü			(1)	
Dönen parçalara yağlama yağı (fren hidroliği gibi) ekleyin			(1)	
Fırça motoru karbon fırçası kontrolü veya değişimi				(2)
Vakum motoru karbon fırçası kontrolü veya değişimi				(2)
Çekiş sistemi motoru karbon fırçası kontrolü veya değişimi				(2)

ÜRETİCİ FİRMA:

Viper Cleaning Equipment Co. Ltd.

Viper Industrial Estate Liangbian, Liaobu, Dongguan,

Guangdong

Çin Halk Cumhuriyeti

Tel: +86-769 83283988

Fax: +86-769-8328 0104

İTHALATÇI FİRMA:

Nilfisk Prof. Tem. Ek. Tic. A.Ş.

Şerifali Mah. Bayraktar Blv. Şehit Sk.

No:7, 34775 Ümraniye İstanbul Türkiye

Tel: +90 216 466 94 94

Faks: +90 216 527 30 32

www.nilfisk.com.tr

ÜRETİM YERİ:

ÇİN HALK CUMHURİYETİ

KULLANIM ÖMRÜ:

Cihazın kullanım ömrü 10 yıldır.

**ATIK ELEKTRİKLİ ELEKTRONİK
EŐYALAR (AEEE) YÖNETİMİ:**

Satın almıő olduėunuz bu ürün, AEEE yönetmeliėine uygundur.

TÜKETİCİNİN SEÇİMLİK HAKLARI

Malın ayıplı olduğunun anlaşılması durumunda tüketici, 6502 sayılı Tüketicinin Korunması Hakkında Kanununun 11 inci maddesinde yer alan;

a- Sözleşmeden dönme,

b- Satış bedelinden indirim isteme,

c- Ücretsiz onarılmasını isteme,

ç- Satılanın ayıpsız bir misli ile değiştirilmesini isteme, haklarından birini kullanabilir.

Tüketicinin bu haklardan ücretsiz onarım hakkını seçmesi durumunda satıcı; işçilik masrafı, değiştirilen parça bedeli ya da başka herhangi bir ad altında hiçbir ücret talep etmeksizin malın onarımını yapmak veya yaptırmakla yükümlüdür. Tüketici ücretsiz onarım hakkını üretici veya ithalatçıya karşı da kullanabilir. Satıcı, üretici ve ithalatçı tüketicinin bu hakkını kullanmasından müteselsilen sorumludur.

Tüketicinin, **ücretsiz onarım hakkını** kullanması halinde malın;

- Garanti süresi içinde tekrar arızalanması,
- Tamiri için gereken azami sürenin aşılması,
- Tamirinin mümkün olmadığının, yetkili servis istasyonu, satıcı, üretici veya ithalatçı tarafından bir raporla belirlenmesi durumlarında; **tüketici malın bedel iadesini, ayıp oranında bedel**

indirimini veya imkân varsa malın ayıpsız misli ile değiştirilmesini satıcıdan talep edebilir.

Satıcı, tüketicinin talebini reddedemez. Bu talebin yerine getirilmemesi durumunda satıcı, üretici ve ithalatçı müteselsilen sorumludur.

Satıcı tarafından Garanti Belgesinin verilmemesi durumunda, tüketici Gümrük ve Ticaret Bakanlığı

Tüketicinin Korunması ve Piyasa Gözetimi Genel Müdürlüğüne başvurabilir.

Tüketici, çıkabilecek uyuşmazlıklarda şikayet ve itirazları konusundaki başvuruları

yerleşim yerinin bulunduğu veya tüketici işleminin yapıldığı yerdeki Tüketici Hakem Heyetine veya

Tüketici Mahkemesine başvurabilir.

Company information:
www.vipercleaning.eu
info-eu@vipercleaning.com

