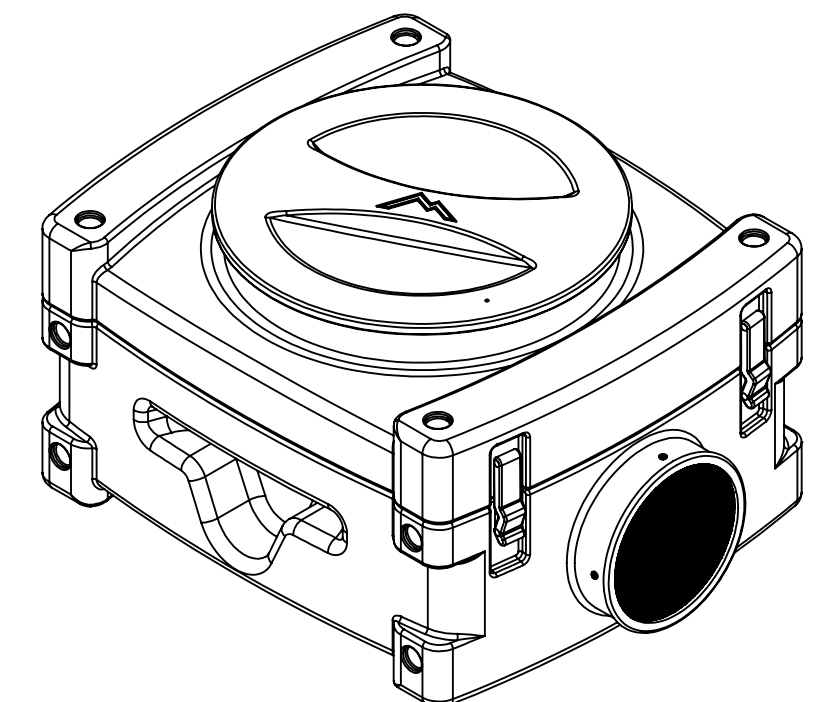
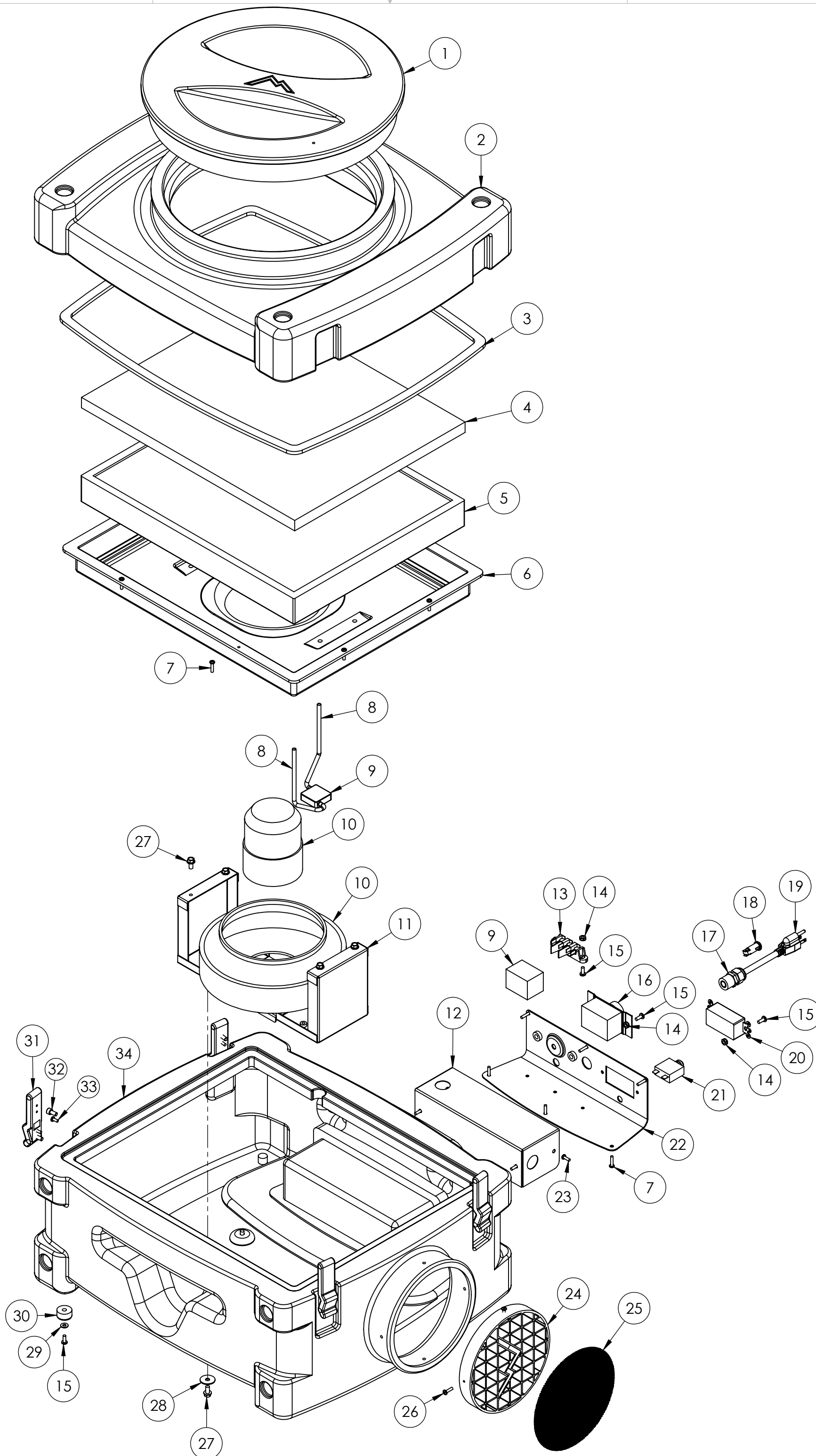


ITEM NO.	PART NO.	DESCRIPTION	QTY.	MSRP
1	P614	housing, cap, VAS525	1	\$19.99 ea
2	P613	housing, lid, VAS525	1	\$79.99 ea
3	G129	gasket, seal, lid, VAS525	1	\$2.99 ea
4	H368	prefilter, VAS525	1	\$9.99 ea
5	H352	HEPA filter, VAS525	1	\$89.99 ea
6	P616	filter tray, VAS525	1	\$59.99 ea
7	H882	screw, 8 x 3/4 phil pan head, type a, s/s	14	\$0.99 ea
8	PH672	tubing, 1/4", vinyl, clear	2	\$3.99 ft
9	E403	air switch, VAS525	1	\$45.99 ea
10	C339	motor, w/capacitor and fan, VAS525	1	\$229.99 ea
11	H353	motor mount, VAS525	1	\$39.99 ea
12	H376	switch box, internal, AS650	1	\$23.99 ea
13	E525	terminal block, heyco	1	\$24.99 ea
14	H273	nut, kep, #10-32 zinc	6	\$0.99 ea
15	H230	screw, 10-32 x 1/2" phil pan head, s/s	11	\$0.99 ea
16	E405	controller, speed, VAS525	1	\$39.99 ea
17	H220	fitting, strain relief, cord	1	\$3.19 ea
18	E512B	light, indicator, 125v (amber)	1	\$9.99 ea
19	E532	power cord, end, 25', 14/3	1	\$44.99 ea
20	E910	receptacle, 15mp GFI, black	1	\$33.99 ea
21	E584	circuit breaker, 12Amp	1	\$17.99 ea
22	H452	plate, switch, VAS525	1	\$17.99 ea
23	H297	screw, 8 x 1/2", hex head, zinc	4	\$0.99 ea
24	P615	guard, VAS525	1	\$4.99 ea
25	G081	screen, mesh, 7-1/2", VAS525	1	\$4.99 ea
26	H304	screw, 8 x 5/8", phil oval, s/s	4	\$0.99 ea
27	H770	bolt, 1/4-20 x 1/2" serrated hex flange, zinc	8	\$0.99 ea
28	H211	washer, 1/4" id x 1" od, flat, s/s	4	\$0.99 ea
29	H289	washer, 10 flat, s/s	4	\$0.99 ea
30	G087	bumper w washer	4	\$0.99 ea
31	H459	latch, soft draw, VAS525	4	\$7.99 ea
32	H315	screw, M6 x 1.0 x 12mm, hex head	8	\$0.99 ea
33	H647	screw, 8-32 x 3/8" phil pan head	8	\$0.99 ea
34	P598	housing, VAS525	1	\$139.99 ea

REVISIONS			
REV.	DESCRIPTION	DATE	APPROVED
OD	ORIGINAL DRAFT	5/2016	JFL



NAME	DATE	MYTEE PRODUCTS, INC. 858-679-1191	
DRAWN M.LaBarbera	5/2016	TITLE: air scrubber	
CHECKED		<small>PROPRIETARY AND CONFIDENTIAL</small> <small>THE INFORMATION CONTAINED IN THIS DRAWING IS THE SOLE PROPERTY OF MYTEE PRODUCTS, INC. ANY REPRODUCTION IN PART OR AS A WHOLE WITHOUT THE WRITTEN PERMISSION OF MYTEE PRODUCTS, INC. IS PROHIBITED.</small>	
SCALE: 1:24	DWG. NO. C VAS525	REV OD	SHEET 1 OF 2



	NAME	DATE	MYTEE PRODUCTS, INC. 858-679-1191	
DRAWN	M.LaBarbera	5/2016	TITLE: air scrubber	
CHECKED			REV C VAS525 OD	
COMMENTS:			SCALE: 1:24	DO NOT SCALE DRAWING
<small> PROPRIETARY AND CONFIDENTIAL THE INFORMATION CONTAINED IN THIS DRAWING IS THE SOLE PROPERTY OF MYTEE PRODUCTS, INC. ANY REPRODUCTION IN PART OR AS A WHOLE WITHOUT THE WRITTEN PERMISSION OF MYTEE PRODUCTS, INC. IS PROHIBITED. </small>			SHEET 2 OF 2	