



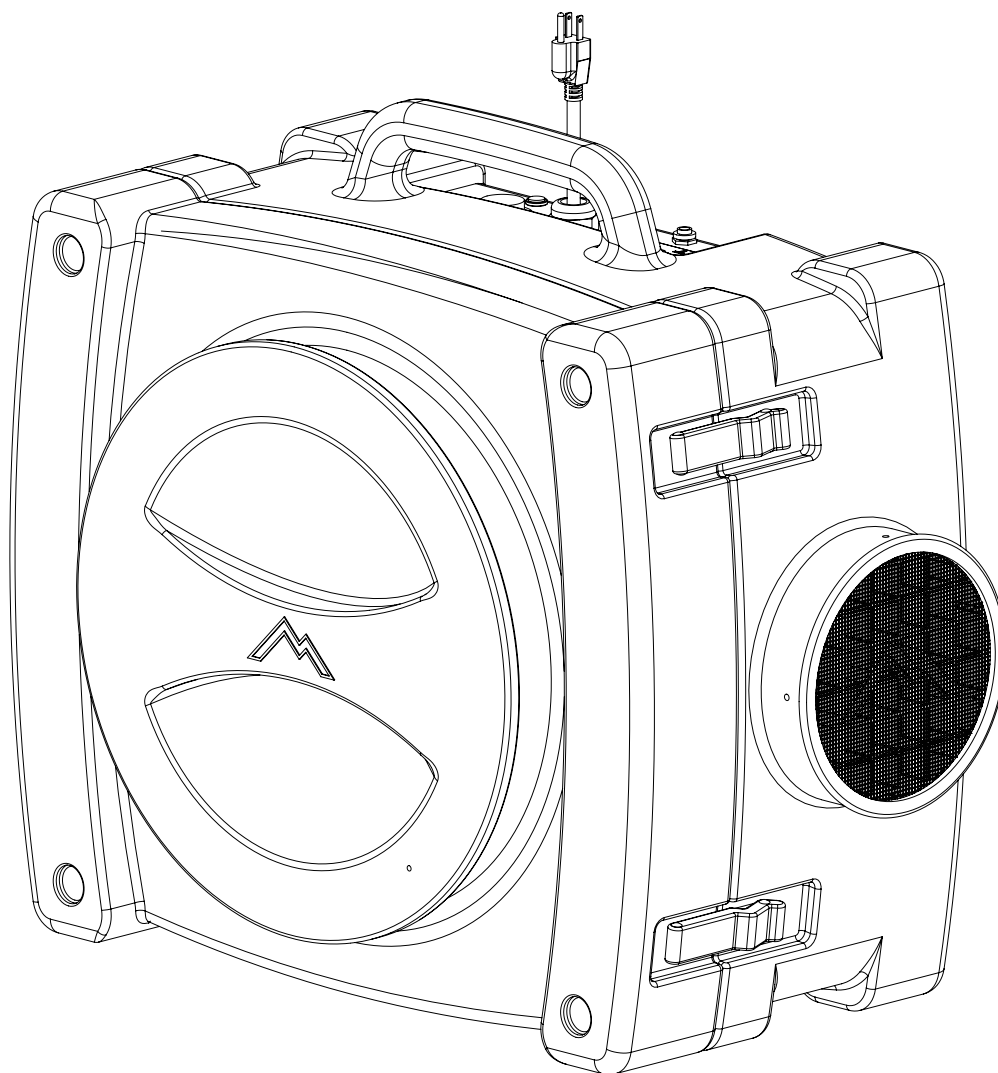
Instructions for VAS525 Vanquish™ Air Scrubber



Please read before use.



Register your product
at <http://www.mytee.com/support/register>



[General Information p. 2](#)
[Features & Switch Plate p. 4](#)
[Configurations & Operation p. 5](#)
[HEPA Filter Replacement p. 7](#)
[Parts & Pricing p. 8](#)
[Notes p. 10](#)

Model # _____

Serial # _____

Form # ADM-VAS525

3-17

GENERAL INFORMATION

Dear Customer:

Congratulations on the purchase of your new Vanquish™ Air Scrubber! The scene of the equipment world is becoming more high tech, and we at Mytee Products Inc. strive to keep you on the cutting edge with superior quality and technology.

With simple maintenance the Vanquish™ Air Scrubber will give quality performance for many years to come. Keep in mind that neglect or abuse to the Vanquish™ will cause unnecessary damage and void the warranty. If warranty questions arise, please get in touch with your distributor from whom you purchased this equipment.

Before first use of your new product, please read this manual thoroughly. Thank you for choosing Mytee!

Sincerely,
Mytee Products, Inc.

Parts & Service

Do not alter or modify your Vanquish™ Air Scrubber in any way. Repairs, when required, should be performed by Mytee service personnel or a Mytee Authorized Service Center using original Mytee replacement parts and accessories. Modifications or use of unauthorized parts could create a hazard and will void your warranty. Please specify the Model and Serial Number when discussing your product. For a list of Authorized Mytee Service Centers, visit our website at www.mytee.com.

Grounding Instructions

This machine must be grounded. If it should malfunction or breakdown, grounding provides a path of least resistance for electrical shock. This machine is equipped with a cord having an equipment-grounding conductor and grounding plug. The plug must be plugged into an appropriate outlet that is properly installed in accordance with all local code and ordinances. Do not remove ground pin; if missing, replace plug before use.



DANGER

Improper connection of the equipment-grounding conductor can result in a risk of electric shock. Check with a qualified electrician or service person if you are in doubt as to whether the outlet is properly grounded. Do not modify the plug provided with the machine. If it will not fit the outlet, have a proper outlet installed by a qualified electrician.

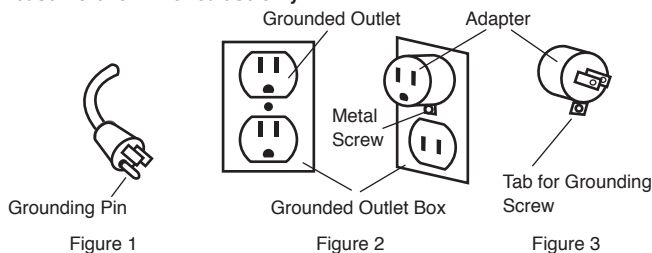
This appliance is for use on a nominal 120-volt circuit, and has a grounding plug that looks like the plug illustrated in Figure 1 below. A temporary adapter illustrated in Figures 2 and 3 may be used to connect this plug to a 2-pole receptacle as shown in Figure 2 if a properly grounded outlet is not available. The temporary adapter should be used only until a properly grounded outlet (Figure 1) can be installed by a qualified electrician. The green colored rigid ear, tab or the like extending from the adapter must be connected to a permanent ground such as a properly grounded outlet box cover. Whenever the adapter is used, it must be held in place by a metal screw. Grounding adapters are not approved for use in Canada.

Replace the plug if the grounding pin is damaged or broken.

The Green (or GreenYellow) wire in the cord is the grounding wire. When replacing a plug, this wire must be attached to the grounding pin only.

DO NOT use extension cords.

Please Note for America use only



Parts and Service

Repairs, when required, should be performed by Mytee service personnel or Mytee authorized Service Center using Mytee original replacement parts and accessories. Call your local service center for repair parts or service. Please specify the Model and Serial Number when discussing your machine.

Name Plate

The Model and Serial Number of your machine are shown on the Nameplate on the back panel of the machine. This information is needed when ordering repair parts for the machine. Use the space provided on the front cover to note the Model and Serial Number of your machine for future reference.

Unpacking the Machine

When the machine is delivered, carefully inspect the shipping carton and the machine for damage. If damage is evident, save the shipping carton so that it can be inspected by the carrier that delivered it. Contact the carrier immediately to file a freight damage claim.

Caution and Warnings

Symbols

Mytee uses the symbols below to signal potentially dangerous conditions. Always read this information carefully and take the necessary steps to protect personnel and property.



CAUTION

Is used to warn of immediate hazards that will cause severe personal injury or death.



WARNING

Is used to call attention to a situation that could cause severe personal injury.



CAUTION

Is used to call attention to a situation that could cause minor personal injury or damage to the machine or other property. When using an electrical appliance, basic precautions should always be followed, including the following: Read all instructions before using this machine. This product is intended for commercial use only.



WARNING

INHALATION HAZARD



Avoid breathing mold spores, bacteria, and other hazardous particles that may be present. Always wear a NIOSH-approved respirator when operating the unit, doing a filter change, and when cleaning the unit.

ELECTRIC SHOCK HAZARD



Unit must be grounded when in use. Plug into grounded 3-prong plug receptacle only. Disconnect power when left unattended. Disconnect power before servicing. Do not expose to water or rain. Store indoors in a cool, dry place.



FIRE/EXPLOSION HAZARD

Do not use near open-flame appliances. Do not use where explosive vapors are present in the air. Flame, gas, or deadly exhaust fume back-draft could blow out if exposed to negative air pressure.



TIP OVER HAZARD

Unit must be placed on hard, level surface when in use. Tilted or uneven unit could result in serious injury. Do not stack more than two units.

To reduce the risk of fire, electrical shock, or injury:

1. Read all instructions before using equipment.
2. Use only as described in this manual. Use only manufacturer's recommended attachments.
3. Always unplug power cord from electrical outlet before attempting any adjustments or repairs.
4. Do not unplug by pulling on cord. To unplug, grasp the plug, not the cord.
5. Do not pull or carry by cord. Do not close a door on cord or pull cord around sharp edges or corners.
6. Do not run appliance over cord. Keep cord away from heated surfaces.
7. Do not use with damaged cord or plug. If cord is damaged, repair immediately.
8. Do not use outdoors or on wet surfaces and/or standing water.
9. Always unplug or disconnect the appliance from power supply when not in use.
10. Do not allow to be used as a toy. Close attention is necessary when used by or near children.
11. Do not use in areas where flammable or combustible material may be present.
12. Do not leave the unit exposed to harsh weather elements. Temperatures below freezing may damage components and void warranty.
13. Use only the appropriate handles to move and lift unit. Do not use any other

GENERAL INFORMATION

parts of this machine for this purpose.

14. Keep hair, loose clothing, fingers, and all parts of the body away from all openings and moving parts.
15. To reduce the risk of fire or electric shock, do not use this machine with a solid-state speed control device.
16. The voltage and frequency indicated on the name plate must correspond to the wall receptacle supply voltage.
17. When cleaning and servicing the machine, local or national regulations may apply to the safe disposal of liquids which may contain: chemicals, grease, oil, acid, alkalines, or other dangerous liquids.

Pre-Operation

1. Inspect pre-filter for accumulated dust and dirt before each use. Replace if necessary.

Setup

1. Place the Vanquish™ in position as either an air scrubber or a negative air machine. (More information on page 6.)
2. Plug into a standard 115V outlet. The Vanquish™ needs 3.1 amps to operate.

Operation

1. Remove the intake cap.
2. Switch on the unit by turning the variable speed switch on the switch plate clockwise (see pg. 4). Keep turning clockwise to set the speed from high to low.

After Use

1. Replace intake cap.
2. Unplug power cord from wall and wrap around intake cap.
3. Store in a dry location.

Maintenance Schedule

Maintenance item	Daily	Once a week
Check power supply cable	x	
Clean machine with all purpose cleaner and cloth	x	
Inspect machine for loose hardware		x

Troubleshooting

There is no power.

1. Make sure unit is plugged into a 115V outlet.
2. Make sure circuit breaker is not tripped.

Change HEPA filter light is illuminated.

1. Replace HEPA filter. Refer to pg. 5 of this manual.
2. Make sure intake is not restricted. Eliminate bends or kinks in ducting or remove ducting.

Blower wheel isn't turning.

1. Check if the blower wheel is obstructed. Remove any obstruction.
2. Tighten the blower wheel set screw.

Machine Specifications

Air Intake	16"
Air Outlet	8"
CFM	250-500
Circuit Breaker	12 amps
Power Consumption	3.1 amps @ 115V 60Hz
Machine Weight	57 lbs.
Machine Dimensions	15" x 27.75" x 24.5"
Power Cord	25' 14/3

FAQs

Q: What comes standard with the Vanquish™ Air Scrubber?

A: The Vanquish™ comes with the Mytee HEPA filter and pre-filter pre-installed.

Q: Where do I plug the machine in?

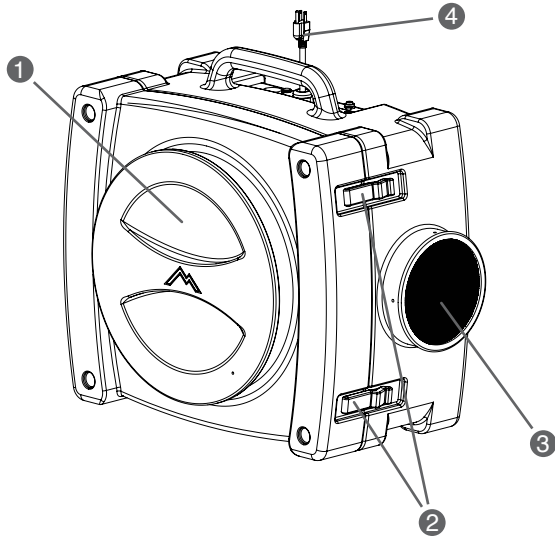
A: The Vanquish™ requires a 115V grounded circuit. Please note: GFI outlets may trip before the breaker setting.

Q: Is there anything I can do to increase the expected life of my machine?

A: Store the Vanquish™ with intake cap on. Replace filters whenever needed.

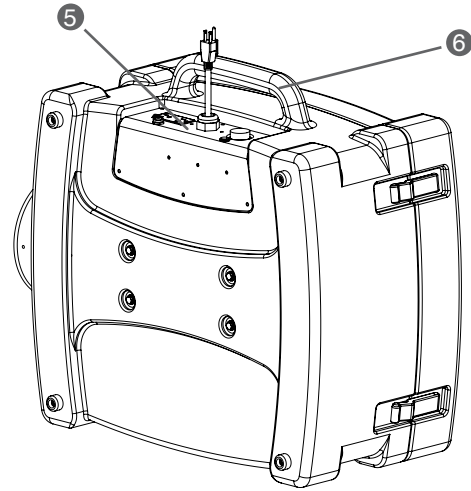
VAS525 VANQUISH™ FEATURES & SWITCH PLATE

FRONT



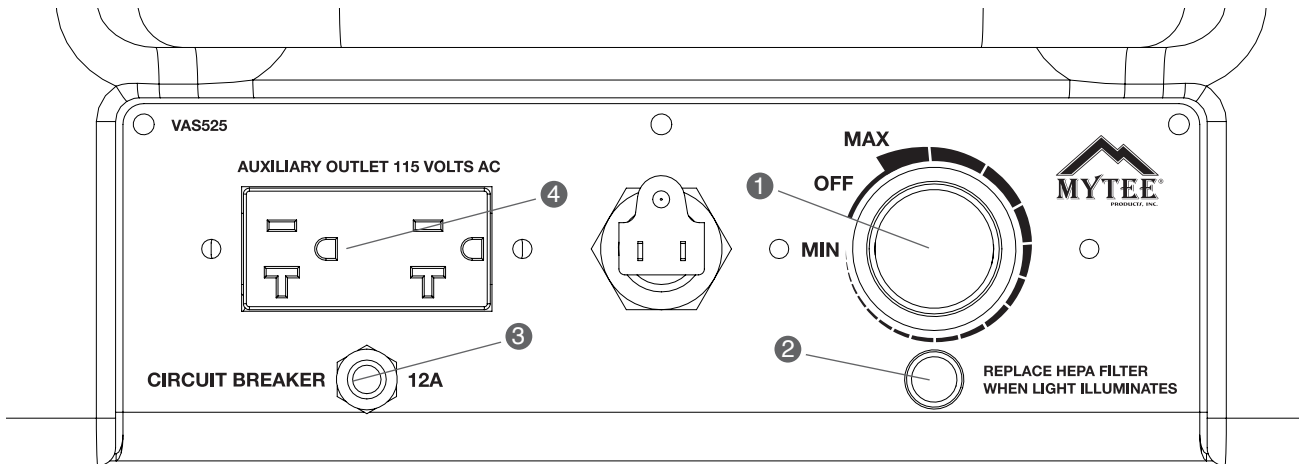
1. Air intake cap
2. Latches
3. Air outlet
4. 25' lighted power cord

BACK



5. Switch plate
6. Carrying handle

SWITCH PLATE



1. VARIABLE SPEED CONTROL KNOB

After plugging in the unit to a 115V outlet, the variable speed control knob is used to turn on the unit and set the fan speed, which adjusts the CFM from 250-500.

2. HEPA FILTER REPLACEMENT INDICATOR LIGHT

The indicator light illuminates when the HEPA filter exhibits 50% relative reduction in capacity and airflow. The HEPA filter should be changed at this point to resume efficient operation. Do not attempt to clean and re-use a HEPA filter. Dust Pre-filters should be replaced after significant accumulation of dust is clearly visible on surface. Make sure filters are placed in the housing lid directionally as labeled on the filter itself.

3. CIRCUIT BREAKER

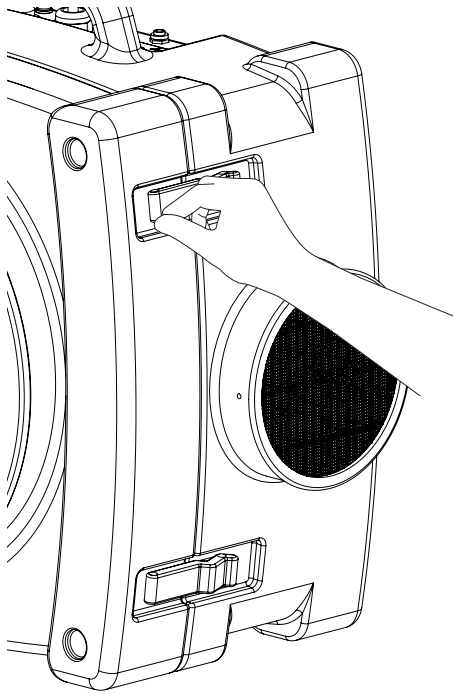
The circuit breaker turns off the unit when power running through the on-unit circuit exceeds 12 amps.

4. AUXILIARY OUTLET

You can daisy-chain up to 2 additional Vanquish™ Air Scrubbers to customize your setup for maximum air filtration. The unit conducts a maximum of 12 amps when off and 9 amps when on.

VAS525 VANQUISH™ OPERATION & CONFIGURATIONS

FILTERS



Pre-filter-

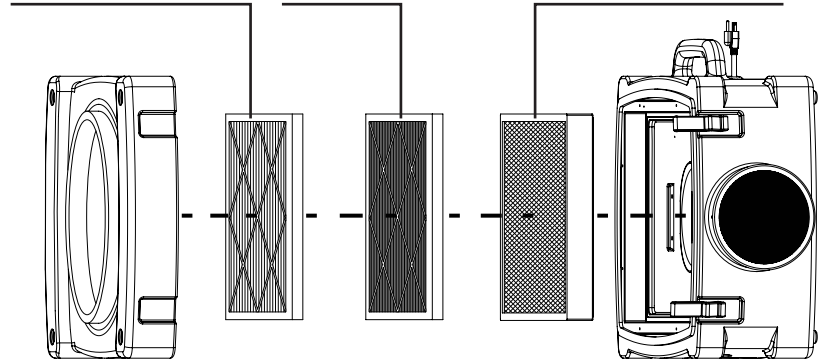
Captures and contains large particles like dust, lint, pollen, etc.

Charcoal Filter-

Removes odors from pets, smoke, fuel, food, etc.

Mytee HEPA Filter-

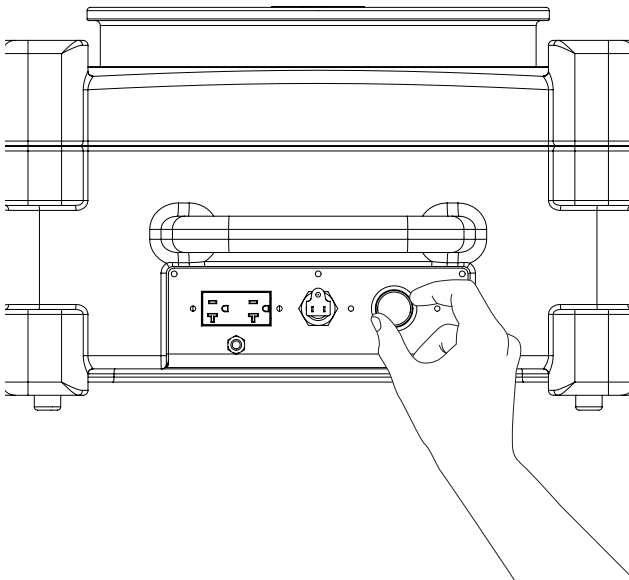
Removes 99.99% of particles at least 0.3 micrometers in diameter.



REPLACING THE FILTERS

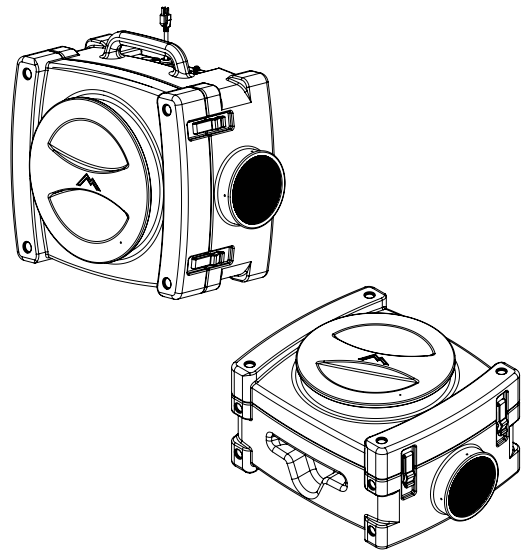
Open all four case latches to remove housing lid to access the pre-filters. The filters can then be easily removed for disposal and replacement. The HEPA filter can be removed from the filter tray by tipping one side towards the user, then lifting out.

POWERING ON THE AIR SCRUBBER



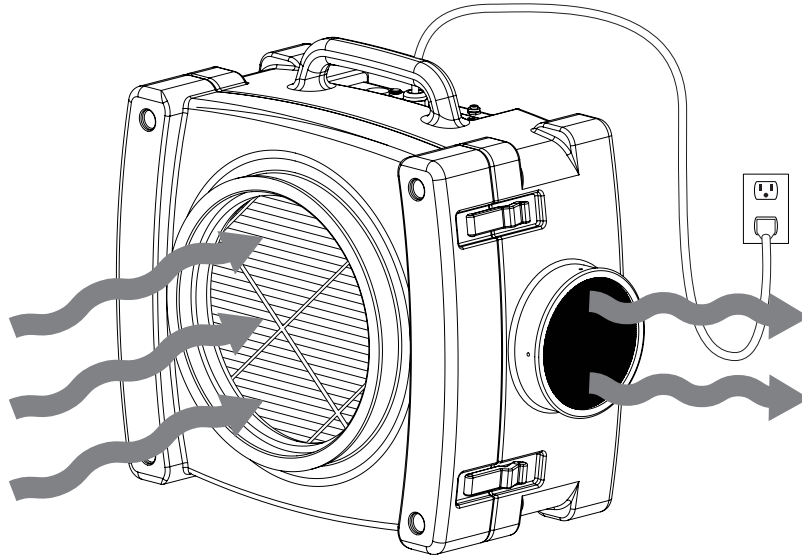
Plug the Vanquish™ Air Scrubber into a grounded wall outlet. Remove the air intake cap. Turn the control knob clockwise to turn on the unit. MAX CFM setting is located immediately clockwise of the OFF setting. Keep turning clockwise to lower the CFM until you reach the MIN.

STORAGE



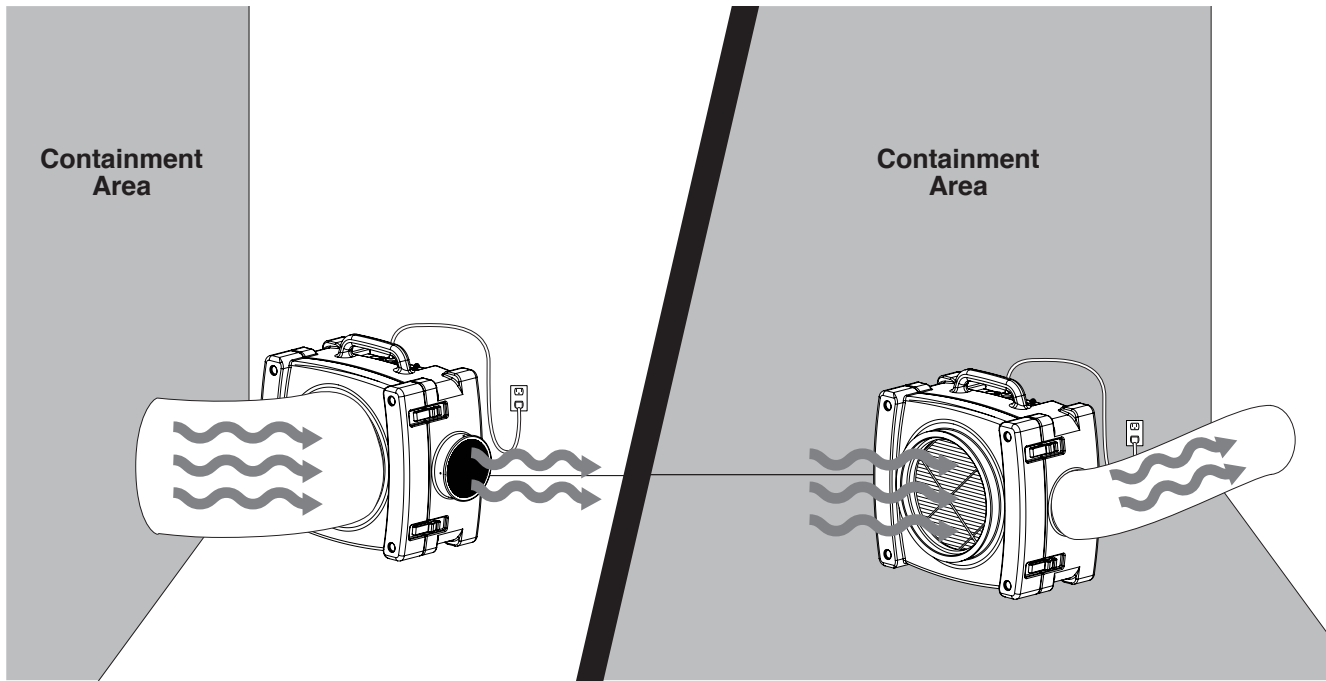
Store the Vanquish™ with the intake cap on in either the vertical or horizontal position.

CONFIGURATION 1 – SINGLE AIR SCRUBBER



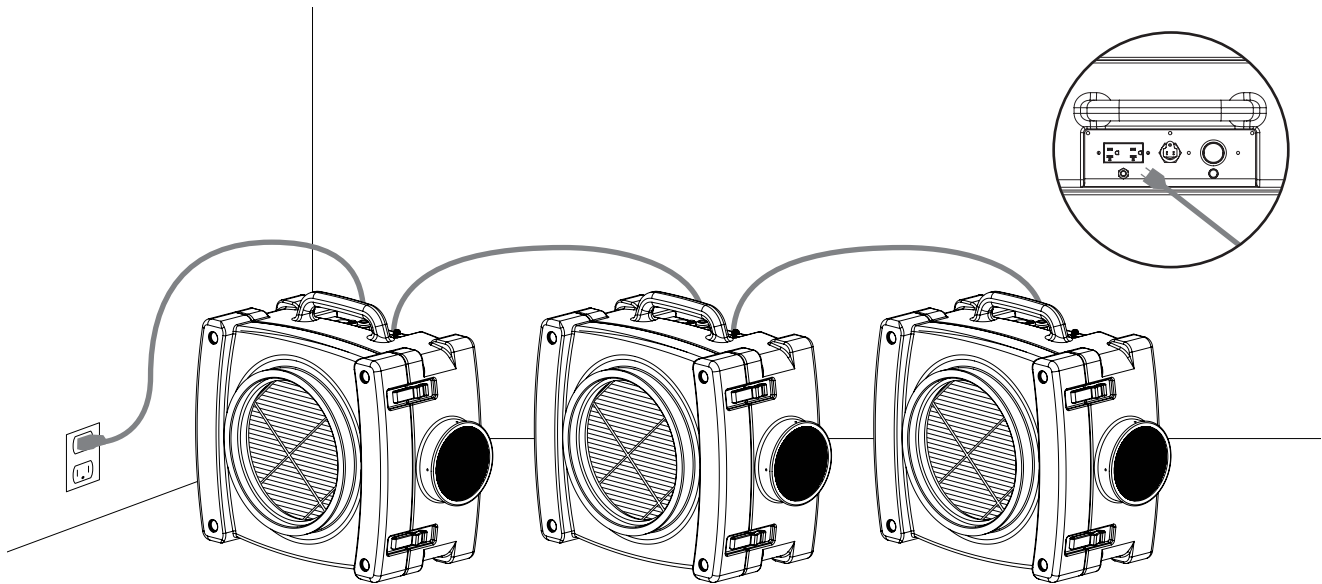
Set the Vanquish™ in a room, uncap the intake, plug it in, and turn it on. The Vanquish™ will begin filtering dust, particulates, and mold spores out of the air with HEPA efficiency.

CONFIGURATION 2 – NEGATIVE AIR MACHINE



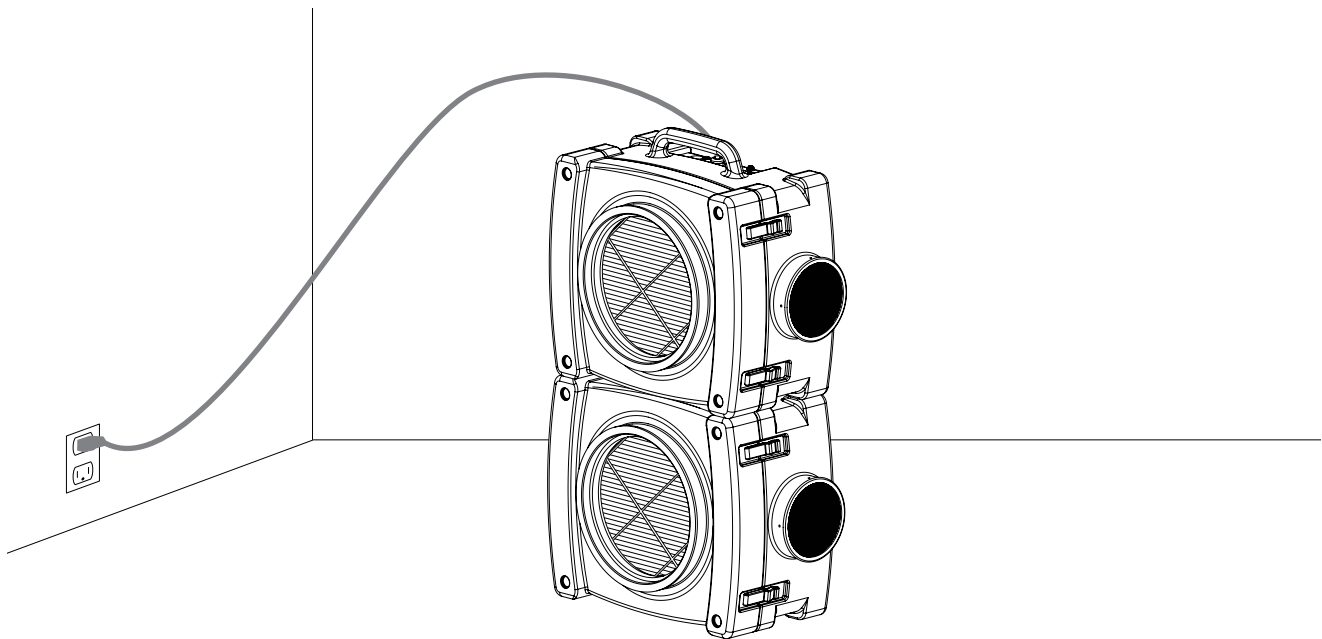
The Vanquish™ can be set up as a negative air machine either inside or outside a containment area. **Outside:** Set the unit up outside the containment area. Attach 16" ducting from the intake of the Vanquish™ to an opening in the containment area. **Inside:** Set the unit up inside the containment area. Attach 8" ducting from the outlet of the Vanquish™ to an opening leading to the outside of the containment area.

CONFIGURATION 3 – DAISY-CHAIN



Up to three Vanquish™ Air Scrubbers can be daisy-chained for use either as air scrubbers to add filtering capacity, or as negative air machines to add CFM to larger containment areas.

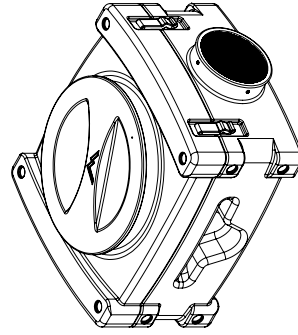
CONFIGURATION 4 – STACKED



Two Vanquish™ Air Scrubbers may be stacked one atop the other during operation in order to save space and connect to containment easier.

VAS525 VANQUISH™ PARTS & PRICING

ITEM NO.	PART NO.	DESCRIPTION	QTY.	MSRP
1	P614	housing, cap. VAS525	1	\$19.99 ea
2	P613	housing, lid. VAS525	1	\$79.99 ea
3	G129	gasket, seal, lid. VAS525	1	\$2.99 ea
4	H368	prefilter. VAS525	1	\$9.99 ea
5	H352	HEPA filter. VAS525	1	\$89.99 ea
6	P616	filter tray. VAS525	1	\$39.99 ea
7	H882	screw, 8 x 3/4 phil pan head, type a, s/s	14	\$0.99 ea
8	PH672	tubing, 1/4", vinyl, clear	2	\$3.99 ft
9	E403	air switch. VAS525	1	\$45.99 ea
10	C339	motor, w/capacitor and fan. VAS525	1	\$229.99 ea
11	H353	motor mount. VAS525	1	\$39.99 ea
12	H376	switch box, internal. AS650	1	\$23.99 ea
13	E525	terminal block, neyco	1	\$24.99 ea
14	H273	nut, kep. #10-32 zinc	6	\$0.99 ea
15	H230	screw, 10-32 x 1/2", phil pan head, s/s	11	\$0.99 ea
16	E405	controller, speed. VAS525	1	\$39.99 ea
17	H220	lifting, strain relief, cord	1	\$3.19 ea
18	E512B	light, indicator, 125v (amber)	1	\$9.99 ea
19	E532	power cord, end, 25', 14/3	1	\$44.99 ea
20	E910	receptacle, 15mp GFI, black	1	\$33.99 ea
21	E584	circuit breaker, 12Amp	1	\$17.99 ea
22	H452	plate, switch. VAS525	1	\$17.99 ea
23	H297	screw, 8 x 1/2", hex head, zinc	4	\$0.99 ea
24	P615	guard. VAS525	1	\$4.99 ea
25	G081	screen, mesh, 7-1/2". VAS525	1	\$4.99 ea
26	H304	screw, 8 x 5/8", phil oval, s/s	4	\$0.99 ea
27	H770	bolt, 1/4-20 x 1/2", serrated hex flange, zinc	8	\$0.99 ea
28	H211	washer, 1/4" id x 1" od, flat, s/s	4	\$0.99 ea
29	H289	washer, 10 flat, s/s	4	\$0.99 ea
30	G087	bumper w washer	4	\$0.99 ea
31	H459	latch, soft draw. VAS525	4	\$7.99 ea
32	H315	screw, M6 x 1.0 x 12mm, hex head	8	\$0.99 ea
33	H647	screw, 8-32 x 3/8", phil pan head	8	\$0.99 ea
34	P598	housing. VAS525	1	\$139.99 ea



DATE	5/2016
REVISED	
APPROVED	JFL

REVISIONS

REV.	DESCRIPTION	DATE	APPROVED
OD	ORIGINAL DRAFT	5/2016	JFL

MYTEE PRODUCTS, INC.
866-673-1010

TITLE: air scrubber

SIZE DWG. NO. REV
C VAS525 OD

SCALE: 1:24 SHEET 1 OF 2

PROPRIETARY AND CONFIDENTIAL
THE INFORMATION CONTAINED HEREIN IS THE PROPERTY OF MYTEE PRODUCTS, INC. AND IS TO BE KEPT CONFIDENTIAL AND NOT TO BE REPRODUCED OR TRANSMITTED IN ANY FORM OR BY ANY MEANS, WITHOUT THE WRITTEN PERMISSION OF MYTEE PRODUCTS, INC.

Part prices are subject to change.

NOTES



Mytee Products Inc.
13655 Stowe Dr.
Poway, CA 92064
www.mytee.com

© 2017 Mytee Products Inc.
Printed in the U.S.A.