

HUSHTONE™

BAGGED UPRIGHT



For use with models

CH54013, CH54113,
CH54015, CH54115

IMPORTANT: Read carefully before assembly and use. This product is intended for commercial use only.



Welcome.

Thank you for choosing a HOOVER[®] Commercial product.



IF YOU NEED ASSISTANCE

Please call 1-800-944-9200 to speak with a customer service representative;
Mon-Fri 8am-7pm EST or visit our website at hoovercommercial.com.

Table of Contents

Safety Instructions	4
Product Features	8
Tools	10-11
Attaching the Tools	11
Getting Started	12
Maintenance	14
Performance Indicator	14
How to Replace the Filter Bag	15
How to Check for Clogs	16
Filters	17-19
HEPA Media Final Filter	17
HexaGuard Activated Carbon Filter	18
Inlet Filter.....	19
Removing Brushroll & Belt	20
Troubleshooting	22
Warranty	23
French	25
Spanish	49

IMPORTANT SAFETY INSTRUCTIONS

SAVE THESE INSTRUCTIONS!

READ CAREFULLY BEFORE ASSEMBLY AND USE.

When using an electrical appliance, basic precautions should always be followed, including the following: **READ ALL INSTRUCTIONS BEFORE USING THIS APPLIANCE.**

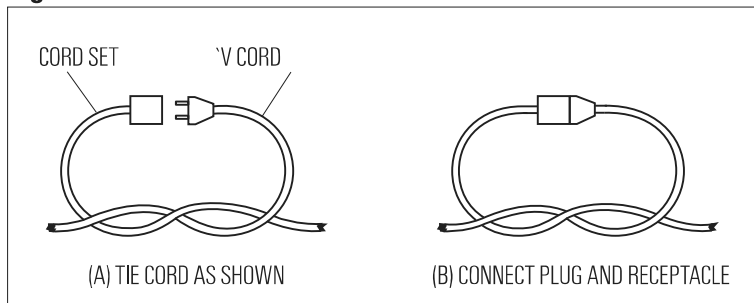
WARNING: TO REDUCE THE RISK OF FIRE, ELECTRIC SHOCK OR INJURY:

- Fully assemble before operating.
- Operate cleaner only at voltage specified on data plate on back of cleaner.
- Do not leave appliance when plugged in. Unplug from outlet when not in use and before cleaning or servicing.
- Do not use outdoors or on wet surfaces.
- Do not allow to be used as a toy. Not intended for use by children age 12 and under. Close supervision is necessary when used near children. To avoid injury or damage, keep children away from product, and do not allow children to place fingers or other objects into any openings.
- Use only as described in this manual. Use only manufacturer's recommended attachments and products.
- Do not use with damaged cord or plug. If appliance is not working as it should, has been dropped, damaged, left outdoors, or dropped into water, take it to a service center prior to continuing use.
- Do not pull or carry by cord, use cord as handle, close a door on cord, or pull cord around sharp edges or corners. Do not run appliance over cord. Keep cord away from heated surfaces.
- Do not unplug by pulling on cord. To unplug, grasp the plug, not the cord.
- Do not handle plug or appliance with wet hands.
- Do not put any objects into openings. Do not use with any opening blocked; keep free of dust, lint, hair, and anything that may reduce air flow.
- Keep hair, loose clothing, fingers, and all parts of body away from openings and moving parts. Brushroll continues to rotate when in the upright position.
- Turn off all controls before unplugging.
- Use extra care when cleaning on stairs. To avoid personal injury or damage, and to prevent the cleaner from falling, always place cleaner at bottom of stairs or on floor. Do not place cleaner on stairs or furniture, as it may result in injury or damage.
- Do not use to pick up flammable or combustible liquids, such as gasoline, or fine wood sandings or use in areas where they may be present.
- Connect to a properly grounded outlet only. See Grounding instructions.
- Do not pick up anything that is burning or smoking, such as cigarettes, matches, or hot ashes.
- Do not use without Filter Bag and/or Filters in place.

WARNING: This product contains chemicals, known to the State of California to cause cancer and birth defects or other reproductive harm. **WASH HANDS AFTER USING.**

- Make sure your extension cord is in good condition and is the correct size for your appliance. Table (A) shows the correct size to use depending on cord length and nameplate ampere rating. If in doubt, use the next heavier gauge. The smaller the gauge number, the heavier the cord. An undersized extension cord will cause a drop in line voltage resulting in loss of power and overheating.
- Use only three-wire SJ or SJT-type cords that have three-prong grounding plugs and grounding receptacles that accept the appliance's plug.

- To reduce the risk of personal injury due to a loose connection between the appliance's plug and the extension cord, firmly and fully attach the appliance plug to the extension cord. Periodically check the connection while operating to ensure it is fully attached. Do not use an extension cord that provides a loose connection. A loose connection may result in overheating, fire and increase the risk of burning.
- To reduce the risk of disconnection of the appliance cord from the extension cord during operating: Make a knot as shown in Figure 1.
- Maintain Appliance With Care- Inspect extension cords periodically and replace if damaged.

Figure 1

CAUTION: TO REDUCE THE RISK OF DAMAGE:

- Avoid picking up hard, sharp objects with this product, as they may cause damage.
- Store appropriately indoors in a dry place. Do not expose machine to freezing temperatures.
- Brushroll continues to turn while product is turned on and handle is in upright position. To avoid damage to carpet, rugs and flooring, avoid tipping cleaner or setting it on furniture, fringed area rugs, or carpeted stairs during tool use.
- Do not use sharp objects to clean out hose as they can cause damage.

GROUNDING INSTRUCTIONS

This appliance must be grounded. If it should malfunction or breakdown, grounding provides a path of least resistance for electric current to reduce the risk of electric shock. This appliance is equipped with a cord having an equipment-grounding conductor (B) and grounding plug (A)(Fig.1). The plug must be inserted into an appropriate outlet (C) that is properly installed and grounded in accordance with all local codes and ordinances(Fig 1).

WARNING: Improper connection of the equipment-grounding conductor can result in the risk of electric shock. Check with a qualified electrician or service person if you are in doubt as to whether the outlet is properly grounded. Do not modify the plug provided with the appliance - if it will not fit the outlet, have a proper outlet installed by a qualified electrician. This appliance is for use on a nominal 120-volt circuit and has a grounding plug that looks like the plug (A) illustrated in (Fig. 1). A temporary adapter (D) may be used to connect this plug to a 2-pole receptacle (E) if a properly grounded outlet is not available (Fig. 2). The temporary adapter should be used only until a properly grounded outlet (C) can be installed by a qualified electrician (Fig. 1). The green colored rigid ear, lug, or the like (F) extending from the adapter must be connected to a permanent ground (G) such as a properly grounded outlet box cover (Fig. 2). Whenever the adapter is used, it must be held in place by a metal screw. **Note:** In Canada, the use of a temporary adapter is not permitted by the Canadian Electrical Code.

Figure 1

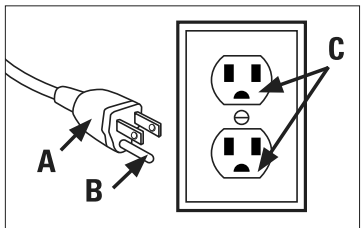
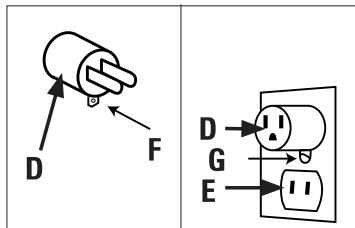


Figure 2



EXTENSION CORD GUIDELINE

Do not use appliance with damaged cords or plugs. When servicing, refer to a qualified electrician or service person only. Use only identical replacement parts.

- Make sure your extension cord is in good condition and is the correct size for your appliance. Table (A) shows the correct size to use depending on cord length and nameplate ampere rating. If in doubt, use the next heavier gauge. The smaller the gauge number, the heavier the cord. An undersized extension cord will cause a drop in line voltage resulting in loss of power and overheating.

Table A- Minimum Gauge Extension Cords

Ampere Rating		Volts	Total length of cord			
			7.62 m (25 ft)	15.24 m (50ft)	30.48 m (100 ft)	45.72 m (150 ft)
More than A	Not more than A	120 V	mm ² (AWG)			
0	6	–	0.82 (18)	1.3 (16)	1.3 (16)	2.1 (14)
6	10	–	0.82 (18)	1.3 (16)	2.1 (14)	3.3 (12)
10	12	–	0.82 (18)	1.3 (16)	2.1 (14)	3.3 (12)

Product Features

Carton Contents

(A) Vacuum Assembly

(B) Handle

(C) Crevice Tool

(D) Dusting Brush

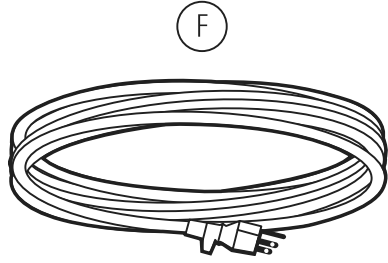
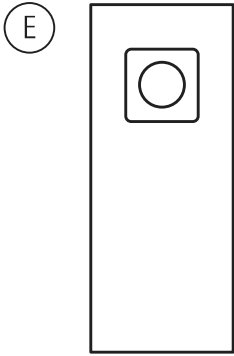
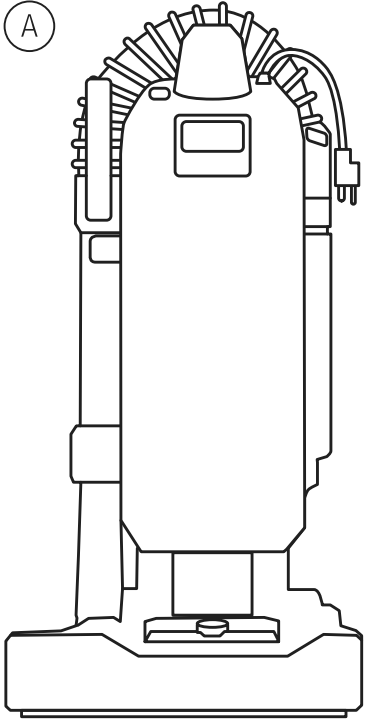
(E) Filter Bag

(F) Extension Cord

+ User Manual

+ Quick Guide

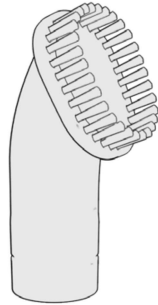
PRODUCT FEATURES



Tools

⚠ CAUTION ⚠ NOT TO BE USED FOR GROOMING A PET.

Accessory tools can be used with the quick clean built-in wand or at the hose end.



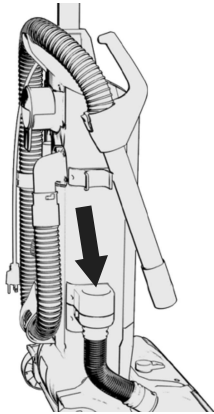
Upholstery Tool: For upholstered furniture, draperies, mattresses, clothing and carpeted stairs.



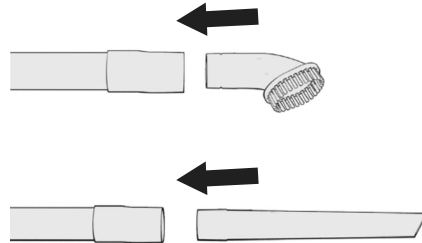
Crevice Tool: For extended reach into tight spaces, corners, and along edges of dresser drawers, furniture, stairs and baseboards.

Attaching the Tools

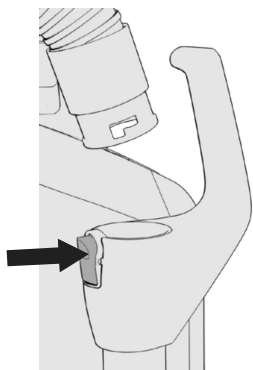
⚠ CAUTION ⚠ BRUSHROLL CONTINUES TO TURN WHILE VACUUM IS TURNED ON AND HANDLE IS IN UPRIGHT POSITION. TO AVOID DAMAGE TO CARPET, RUGS, FURNITURE, AND FLOORING, AVOID TIPPING VACUUM OR SETTING IT ON FURNITURE, FRINGED AREA RUGS, OR CARPETED STAIRS DURING USE.



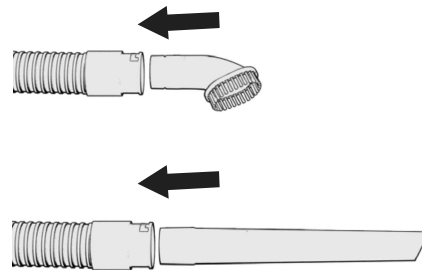
1 For extended reach, remove wand from holder by pulling straight up and out.



2 Push tools firmly into wand end. When finished, twist and pull to remove.



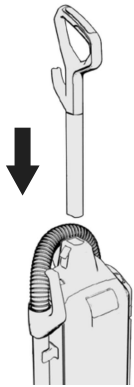
3 To use hose end, press release tab and pull from wand handle.



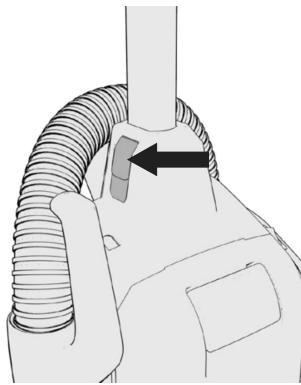
4 Push tools firmly into hose end. When finished, twist and pull to remove.

Getting Started

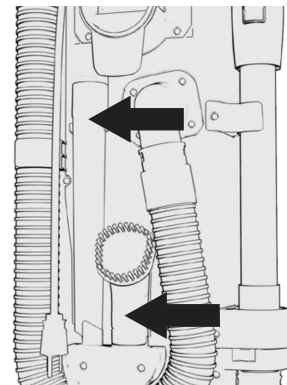
⚠ WARNING ⚠ TO REDUCE THE RISK OF PERSONAL INJURY—UNPLUG BEFORE CLEANING OR SERVICING.



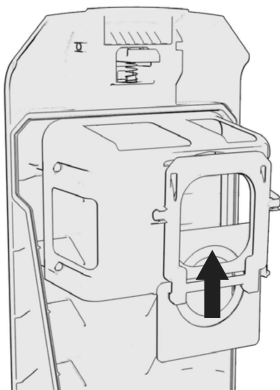
1 Insert Handle.



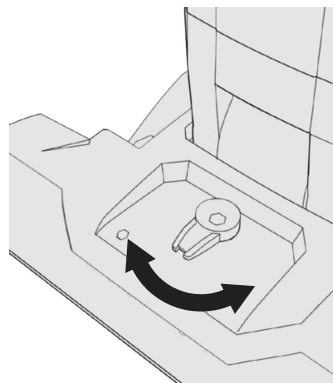
2 Press tab to lock handle into place.



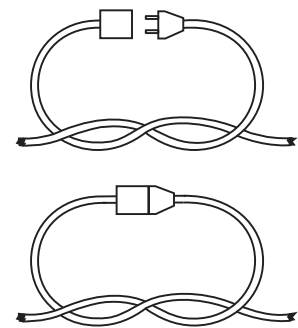
3 Insert Accessory Tools.



4 Check to ensure filter bag is secure in bag door.



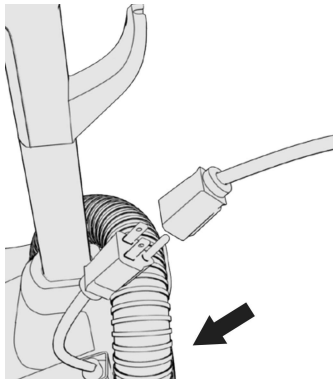
5 Rotate height adjust lever to desired level. If vacuum is difficult to push, turn knob to next higher setting.



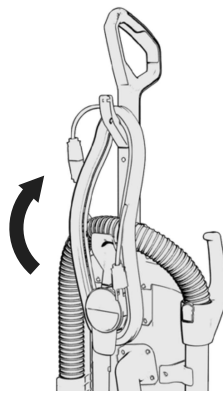
6 To reduce the risk of disconnection of the appliance cord from the extension cord during operating, make a knot as shown on page 5 in Figure 1.



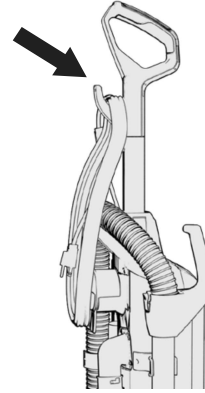
IF YOU NEED ASSISTANCE
1-800-944-9200 (M-F 8 AM - 7 PM EST)



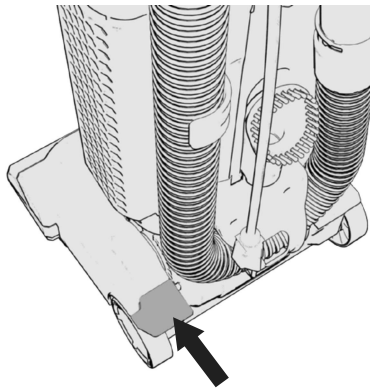
7 Plug in quick change cord to extension cord.



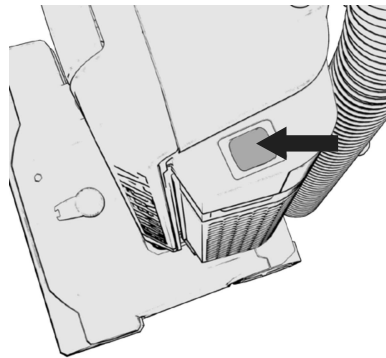
8 Wrap cord around cord hooks for storage.



9 Or place on upper hook for more convenient storage.



10 Push handle release pedal with foot and pull back on handle.



11 Turn vacuum on by pressing switch forward or back to select desired power level.
Press backward to the ON position (I) for normal cleaning and less disruption, with lower decibel noise levels.

Press forward to the BOOST position (II) when more power is desired, for cleaning entry rugs or high traffic areas.
Turn off by locating switch in middle position (O).

Maintenance

Any other servicing should be done by an authorized service representative.

If appliance is not working as it should, has been dropped, damaged, left outdoors, or dropped into water, take it to a service center prior to continuing use.

THERMAL PROTECTOR STATEMENT

A thermal protector has been designed into your cleaner to protect it from overheating.

When the thermal protector activates the cleaner it will stop running.

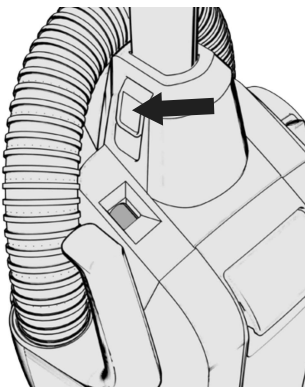
If this happens proceed as follows:

1. Turn cleaner OFF and unplug it from the electrical outlet.
2. Check fullness of bag, change if needed.
3. Inspect the air path for any obstructions. Clear obstructions if present.
4. When cleaner is unplugged and motor cools for 30 minutes, the thermal protector will deactivate and cleaning may continue.

If the thermal protector continues to activate after following the above steps, your cleaner needs servicing.

Performance Indicator

Alerts the user of a clog or full bag for optimal cleaning.



If color changes from green to red, check for the following conditions:

⚠ WARNING ⚠ TO REDUCE THE RISK OF PERSONAL INJURY—UNPLUG BEFORE CLEANING OR SERVICING.

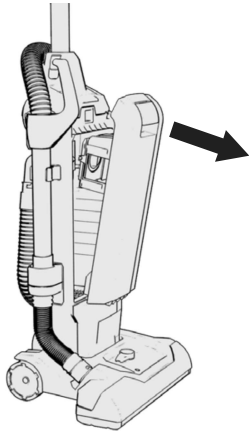
- 1** Check filter bag.
Change, if full.

Note: When using the vacuum to pick up very fine dust, such as sawdust or drywall dust, it will be necessary to replace the bag and clean the filters at more frequent intervals to maintain maximum pick-up power. Fine dust will clog bag pores and reduce suction, prior to bag becoming full.

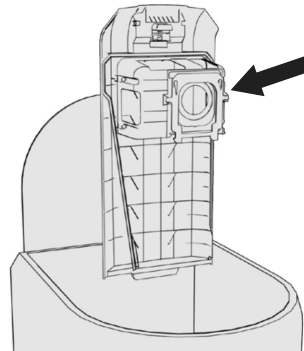
- 2** Check for clogs in nozzle, hose, and bag inlet. Clear any obstructions.

How to Replace the Filter Bag

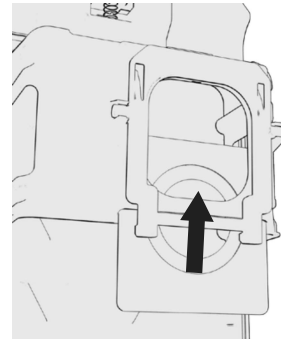
⚠ WARNING ⚠ TO REDUCE THE RISK OF PERSONAL INJURY—UNPLUG BEFORE CLEANING OR SERVICING.



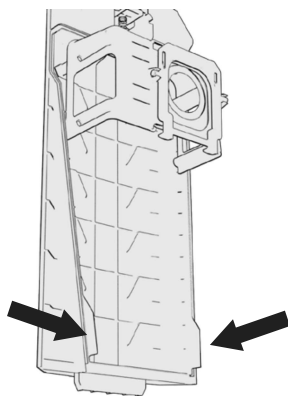
1 Pull orange release latch to open bag door.



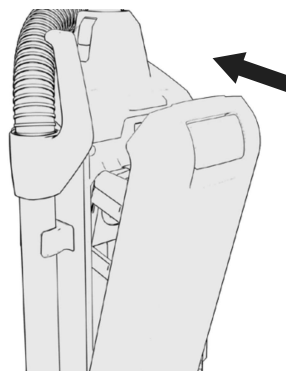
2 Press orange bag release for hands-free bag disposal.



3 Slide cardboard sleeve into bag holder until bag is securely in place.



4 Tuck bag inside lower tabs.



5 Replace front cover and ensure latch clicks into place. Make sure bag does not interfere with door seal.

⚠ IMPORTANT ⚠ DO NOT CLEAN OLD FILTER BAG AND REUSE. DISCARD USED FILTER BAG. DO NOT VACUUM WITHOUT FILTER BAG IN PLACE.

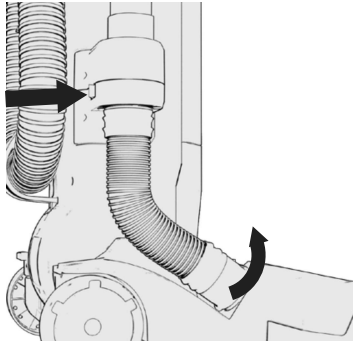


REPLACEMENT BAGS

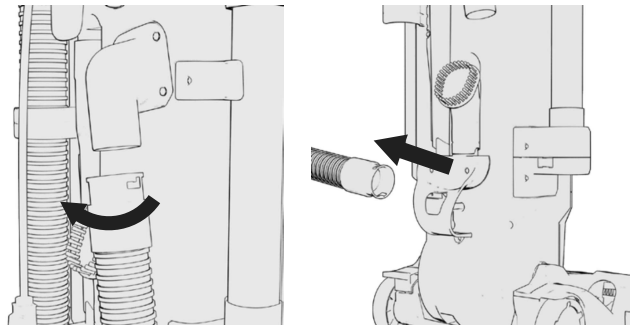
Standard Filtration 10 pack Part No. AH10143
Allergen Filtration 10 pack Part No. AH10243

How to Check for Clogs

⚠ WARNING ⚠ TO REDUCE THE RISK OF PERSONAL INJURY—UNPLUG BEFORE CLEANING OR SERVICING.



1 Remove flex hose by twisting lower cuff counter-clockwise then press orange tab on rear wand holder. Check hose inlet for obstructions.



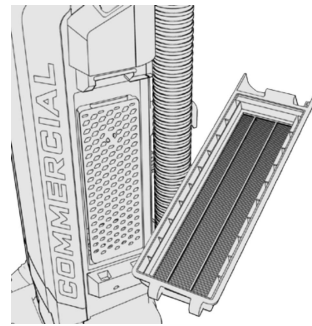
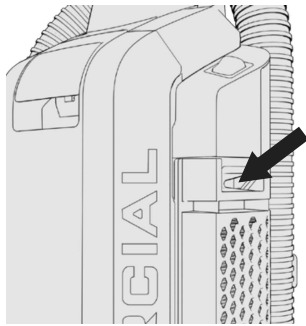
2 Remove rear hose by twisting upper cuff counter-clockwise and pulling through lower holder. Straighten hose and check for obstructions.

Filters

⚠ WARNING ⚠ TO REDUCE THE RISK OF PERSONAL INJURY – UNPLUG BEFORE CLEANING OR SERVICING. DO NOT OPERATE VACUUM WITHOUT BOTH INLET FILTER AND FINAL FILTER IN PLACE.

HEPA Media Final Filter

The final filter assists in the filtration process to return cleaner air to the room.



1 To remove, push down on tab and pull out filter housing.

2 Lift out and hand rinse in cold water under low pressure. Rinse only with open side facing up. Allow to dry and reposition into filter housing, pushing firmly on tab to snap into place.

⚠ IMPORTANT ⚠ ALLOW FILTER TO DRY COMPLETELY BEFORE REPLACING. DRY FILTER ON EDGE SO AIR CIRCULATES ON BOTH SIDES OF FILTER. THIS MAY TAKE UP TO 24 HOURS.



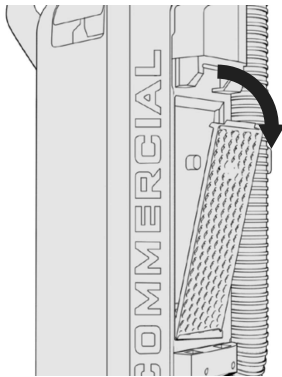
REPLACEMENT FILTER

Rinse **HEPA Media Final Filter** every 2 months. Check for wear of media and replace if pleats are damaged. Change filter regularly to maintain maximum performance.
Part No. 440007773

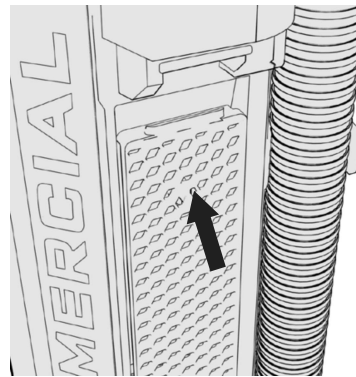
Filters

⚠ WARNING ⚠ TO REDUCE THE RISK OF PERSONAL INJURY, UNPLUG VACUUM BEFORE CLEANING OR SERVICING. DO NOT OPERATE VACUUM WITHOUT BOTH INLET FILTER AND FINAL FILTER IN PLACE.

HexaGuard™ Activated Carbon Filter



1 To remove from filter housing, pull from top. Do not rinse.



2 To replace, align tabs into correct openings and rotate toward housing. Be sure to press firmly into place.



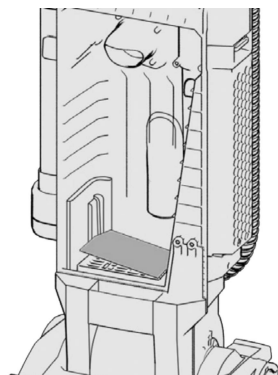
REPLACEMENT FILTER

Replace **HexaGuard™ filter** yearly for optimum performance.
Part No. 440007787.

⚠ WARNING ⚠ TO REDUCE THE RISK OF PERSONAL INJURY, UNPLUG VACUUM BEFORE CLEANING OR SERVICING. DO NOT OPERATE VACUUM WITHOUT BOTH INLET FILTER AND FINAL FILTER IN PLACE.

Inlet Filter

The inlet filter protects the motor from damage.



- 1** If the filter becomes dirty, pull off the grill and lift out the filter. Hand rinse in cold water under low pressure. Let filter dry for 24 hours. Reposition dry filter and snap grill into place.



REPLACEMENT FILTER

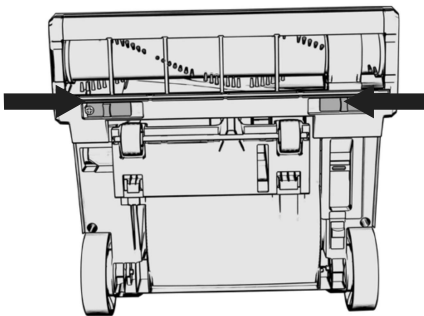
Replace **Inlet filter** every 6 months to keep vacuum running at peak performance.
Part No. 440007774

Removing Brushroll & Belt

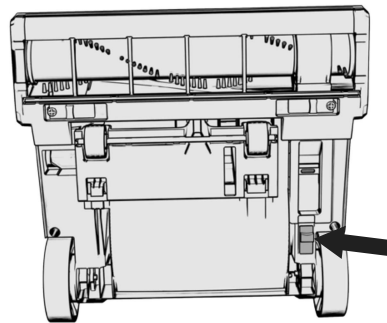
Lubrication

The motor and brushroll are equipped with bearings which contain sufficient lubrication for their lifetime. The addition of lubricant could cause damage. Do not add lubricant to motor or brushroll.

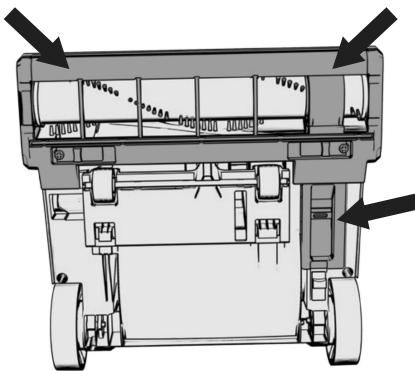
⚠ CAUTION ⚠ TO REDUCE THE RISK OF INJURY FROM MOVING PARTS, UNPLUG BEFORE SERVICING.



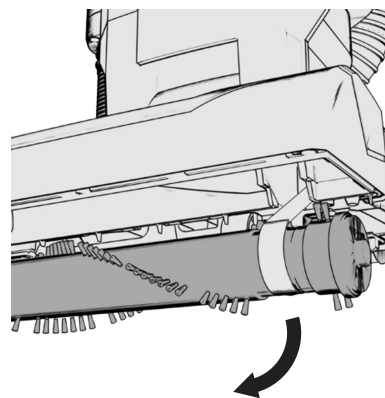
1 Slide orange tabs toward center.



2 Slide rear tab back, into unlock position.

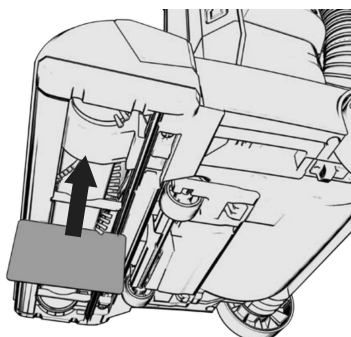


3 Remove bottom plate.



4 Pivot Brushroll out then remove worn or broken belt, and replace. Make sure belt is centered on motor shaft and sits properly within brushroll grooves before placing back into unit.

⚠ CAUTION ⚠ TO REDUCE THE RISK OF INJURY FROM MOVING PARTS, UNPLUG BEFORE SERVICING.



- 5** Check brushroll for wear using a business card or credit card. If card does not touch bristles, replace brushroll.

Any other servicing should be done by an authorized service representative. If appliance is not working as it should, has been dropped, damaged, left outdoors, or dropped into water, take it to a service center prior to continuing use.



REPLACEMENT BRUSHROLL

CH54013 Part No. 440007800

CH54015 Part No. 440007801

CH54113 (with IntelliBelt) Part No. 44000802

CH54115 (with IntelliBelt) Part No. 44000803

REPLACEMENT BELT

CH54013/CH54015 Part No. 38528058

CH54113/CH54115 (with IntelliBelt) Part No. 440007804

Troubleshooting

⚠ WARNING ⚠ TO REDUCE THE RISK OF PERSONAL INJURY—UNPLUG BEFORE CLEANING OR SERVICING.

Any other servicing should be done by an authorized service representative.
If appliance is not working as it should, has been dropped, damaged, left outdoors, or dropped into water, take it to a service center prior to continuing use.

Problem	Possible Cause	Possible Solution
Vacuum won't run	1. Power cord not firmly plugged into outlet.	1. Plug unit in firmly.
	2. Blown fuse or tripped breaker.	2. Check fuse or breaker. Replace fuse/reset breaker.
	3. Thermal Protector activated.	3. Unplug and allow vacuum to cool for 30 min. (This will reset the thermal protector).
Bag Check Indicator has turned red OR Vacuum won't pick up OR Low suction	1. Filter Bag full and/or clogged.	1. Empty Filter Bag - Pg. 15
	2. Broken or worn belt.	2. Replace belt - Pg. 20
	3. Brushroll and/or Hose clogged.	3. Check Hose - Pg. 16 Check Brushroll - Pg. 20-21
	4. Carpet height setting is incorrect.	4. Set Carpet Height Adjustment to appropriate setting for carpet being cleaned - Pg. 12
Dust escaping from vacuum	1. Filter Bag full.	1. Empty Filter Bag - Pg. 15
	2. Filter Bag not installed correctly.	2. Review Filter Bag removal & replacement - Pg. 15
	3. Hose not installed correctly.	3. Review Hose installation.
Vacuum is difficult to push or won't move forward	1. Carpet height setting is incorrect.	1. Set Carpet Height Adjustment knob to appropriate setting for carpet being cleaned - Pg. 12
	2. Bottom plate is not installed correctly.	2. Refer to Pg. 20
Smoky/burning smell detected	1. Belt broken or stretched.	1. Replace brushroll belt - Pg. 20
	2. Brushroll is clogged.	2. Clear/ remove debris from brushroll - Pg. 20-21

Warranty

2 YEAR LIMITED WARRANTY

WHAT THIS WARRANTY COVERS

When used and maintained in normal Commercial use and in accordance with the User's Manual, your HOOVER® Commercial product is warranted against original defects in material and workmanship for a full two years from date of purchase (the "Warranty Period"). During the Warranty Period, as described in this Warranty, HOOVER® will provide labor and parts, at no cost to you, to correct any such defect in products purchased in the United States, U.S. Military Exchanges and Canada.

HOW TO MAKE A WARRANTY CLAIM

If this product is not as warranted, take or send the product to a HOOVER® Authorized Warranty Service Dealer along with proof of purchase. For an automated referral to authorized service outlets, phone: 1-800-944-9200 OR visit HOOVER® Commercial online at www.hoovercommercial.com (U.S. Customers) or www.hoover.ca (Canadian Customers). For additional assistance or information concerning this Warranty or the availability of warranty service outlets, phone 1-800-944-9200, Mon-Fri 8am-7pm EST. In Canada, call 1-800-263-6376, Mon-Fri 8am-7pm EST.

WHAT THIS WARRANTY DOES NOT COVER

Certain parts for your HOOVER® Commercial product require replacement in the ordinary course of use due to normal wear. These items include belts, agitator roll sleeves, agitator bearings, brushes, bags, filters and bulbs. These parts are not covered by this Warranty.

This Warranty also does not cover: improper maintenance of the product, damage due to misuse, acts of God, nature, vandalism or other acts beyond the control of HOOVER®, owner's acts or omissions, use outside the country in which the product was initially purchased, resale of the product by the original owner, defects or damages caused by repair or alteration by anyone other than an Authorized HOOVER® Warranty Service Dealer. HOOVER®, Inc. reserves the right to inspect any alleged defective product and make final decisions on any warranty claim. This warranty does not cover pick up, delivery, transportation or house calls. However, if you mail your product to a HOOVER® Authorized Warranty Service Dealer for warranty service, cost of shipping will be paid one way.

OTHER IMPORTANT TERMS

This Warranty is not transferable and may not be assigned. This Warranty shall be governed and construed under the laws of the state of Ohio. The Warranty Period will not be extended by any replacement or repair performed under this Warranty.

THIS WARRANTY IS THE EXCLUSIVE WARRANTY AND REMEDY PROVIDED BY HOOVER®. ALL OTHER WARRANTIES, EXPRESSED OR IMPLIED, INCLUDING WARRANTIES OF MERCHANTABILITY OR FITNESS FOR PARTICULAR PURPOSE, ARE DISCLAIMED. IN NO EVENT WILL HOOVER® BE LIABLE FOR ANY SPECIAL, INDIRECT, INCIDENTAL OR CONSEQUENTIAL DAMAGES OF ANY KIND OR NATURE TO OWNER OR ANY PARTY CLAIMING THROUGH OWNER, WHETHER BASED IN CONTRACT, NEGLIGENCE, TORT OR STRICT PRODUCTS LIABILITY OR ARISING FROM ANY CAUSE WHATSOEVER. Some states do not allow the exclusion of consequential damages, so the above exclusion may not apply to you. This warranty gives you specific rights; you may also have others that vary from state to state.

HUSHTONE™

ASPIRATEUR-BALAI À SAC



**Conçu pour être utilisé
avec les modèles**

CH54013, CH54113,
CH54015, CH54115

IMPORTANT: Lisez attentivement le présent guide d'utilisation avant d'assembler et d'utiliser l'appareil.
Ce produit est destiné à un usage commercial seulement.

Guide d'utilisation



COMMERCIAL

Bienvenue.

Merci d'avoir choisi un produit commercial HOOVER^{MD}.



POUR OBTENIR DE L'AIDE

Communiquez avec un représentant du service à la clientèle au 1 800 944-9200, entre 8 h et 19 h (HNE) du lundi au vendredi, ou visitez notre site Web au hoovercommercial.com.

Table des matières

Consignes de sécurité	28
Caractéristiques du produit	32
Outils	34-35
Installation des outils	35
Premiers pas	36
Entretien	38
Indicateur de performance	38
Comment remplacer le sac-filtre	39
Comment vérifier si l'aspirateur est obstrué	40
Filtres	41-43
Filtre conçu avec la technologie HEPA	41
Filtre à charbon actif HexaGuard	42
Filtre d'entrée.....	43
Retrait du rouleau-brosse et de la courroie	44
Dépannage	46
Garantie	47
Espagnol	49

CONSIGNES DE SÉCURITÉ IMPORTANTES

CONSERVEZ CES INSTRUCTIONS!

LISEZ ATTENTIVEMENT AVANT L'ASSEMBLAGE ET L'UTILISATION.

Lorsque vous utilisez des appareils électriques, veuillez toujours respecter entre autres les consignes de sécurité élémentaires suivantes : **VEUILLEZ LIRE TOUTES LES INSTRUCTIONS AVANT D'UTILISER CET APPAREIL.**

AVERTISSEMENT : POUR RÉDUIRE LE RISQUE D'INCENDIE, DE DÉCHARGE ÉLECTRIQUE, DE DOMMAGE OU DE BLESSURE :

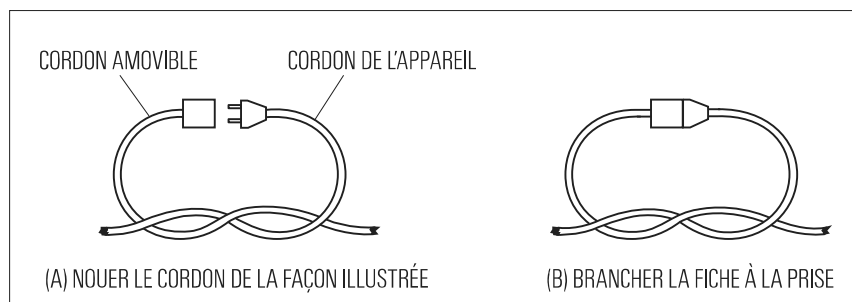
- Assemblez entièrement l'appareil avant de l'utiliser.
- Faites seulement fonctionner l'appareil avec la tension indiquée sur la plaque signalétique située à l'arrière de l'appareil.
- Ne laissez pas l'appareil en marche sans surveillance. Débranchez la fiche de la prise de courant dès la fin de l'utilisation et avant le nettoyage ou l'entretien.
- N'utilisez pas l'appareil à l'extérieur ni sur des surfaces humides.
- Ne permettez pas aux enfants de jouer avec l'appareil. Cet appareil ne doit pas être utilisé par des enfants de moins de 12 ans. Exercez une surveillance étroite lorsque l'appareil est utilisé à proximité d'enfants. Gardez l'appareil hors de la portée des enfants et ne laissez pas ces derniers introduire leurs doigts ou d'autres objets dans aucune ouverture afin d'éviter les blessures ou les bris.
- Utilisez l'appareil uniquement aux fins décrites dans le présent guide. Utilisez uniquement les accessoires et produits recommandés par le fabricant.
- N'utilisez pas l'appareil lorsque le cordon ou la fiche est endommagé. Cessez d'utiliser l'appareil s'il ne fonctionne pas comme prévu, s'il a été échappé sur le sol ou dans l'eau, s'il est endommagé ou s'il a été laissé à l'extérieur et apportez-le au centre de réparations pour le faire inspecter avant de continuer à l'utiliser.
- Ne tirez pas et ne transportez pas l'appareil par son cordon, n'utilisez pas le cordon comme une poignée, ne coincez pas le cordon dans l'embrasure d'une porte et ne le tirez pas contre des arêtes ou des cornières tranchantes. Ne faites pas rouler l'appareil sur le cordon. Tenez le cordon éloigné des surfaces chaudes.
- Ne débranchez pas l'appareil en tirant le cordon. Débranchez l'appareil en tenant la fiche et non le cordon.
- Ne manipulez pas la fiche ou l'appareil avec des mains mouillées.
- N'insérez aucun objet dans les ouvertures. N'utilisez pas l'appareil si les ouvertures sont obstruées. Assurez-vous qu'elles sont exemptes de poussière, de mousse, de cheveux ou de tout ce qui pourrait réduire le débit d'air.
- Gardez les cheveux, les vêtements amples, les doigts et toute autre partie du corps à l'écart des ouvertures et des pièces en mouvement. Le rouleau-brosse continue de tourner lorsque l'appareil est en position verticale.
- Éteignez toutes les commandes avant de débrancher l'appareil.
- Redoublez de prudence lorsque vous utilisez l'appareil sur des escaliers. Pour éviter tout dommage ou blessure et empêcher l'appareil de tomber, placez toujours ce dernier au bas des escaliers, sur le plancher. Ne placez pas l'appareil sur les marches d'un escalier ou sur un meuble, car cela peut entraîner des dommages ou des blessures.
- N'utilisez pas l'appareil pour aspirer des liquides inflammables ou combustibles comme de l'essence et de la sciure de bois, ni dans des endroits où de telles substances peuvent être présentes.

- Branchez l'appareil uniquement dans une prise correctement mise à la terre. Consultez les instructions de mise à la terre.
- N'utilisez pas l'appareil pour aspirer quoi que ce soit qui brûle ou dégage de la fumée comme des cigarettes, des allumettes ou des cendres chaudes.
- N'utilisez pas l'appareil si le sac à poussière et/ou les filtres ne sont pas installés.

AVERTISSEMENT : Ce produit contient des produits chimiques reconnus par l'État de la Californie comme pouvant causer le cancer, des anomalies congénitales ou d'autres dysfonctions du système reproducteur. **BIEN SE LAVER LES MAINS APRÈS L'UTILISATION.**

- Assurez-vous que la rallonge est en bon état et que son calibre est approprié à votre appareil. Le tableau (A) indique le calibre à utiliser en fonction de la longueur de la rallonge et de l'intensité nominale inscrite sur la plaque signalétique. En cas de doute, utilisez un calibre supérieur. Plus le calibre est petit, plus la rallonge est de gros diamètre. L'utilisation d'une rallonge de calibre trop faible entraînera une chute de la tension de ligne, ce qui à son tour provoquera une perte de puissance et une surchauffe.
- Utilisez uniquement des cordons à trois fils de type SJ ou SJT dotés d'une fiche moulée à trois broches de mise à la terre ainsi que d'une prise avec terre qui convient à la fiche de l'appareil.
- Pour réduire le risque de blessures causées par un mauvais branchement entre la rallonge et la fiche de l'appareil, assurez-vous qu'elles sont bien branchées. Vérifiez périodiquement le branchement pendant que vous utilisez l'appareil pour vous assurer que la rallonge est bien fixée. N'utilisez pas une rallonge qui offre un mauvais branchement. Un mauvais branchement peut provoquer une surchauffe ou un incendie et augmenter le risque de brûlure.
- Pour réduire le risque de débranchement de la rallonge pendant que vous utilisez l'appareil, faites un nœud comme le montre la figure 1.
- Entretenez l'appareil avec soin. Inspectez périodiquement les rallonges et remplacez-les si elles sont endommagées.

Figure 1



MISE EN GARDE : POUR RÉDUIRE LES RISQUES DE DOMMAGE :

- Évitez d'utiliser l'appareil pour ramasser des objets durs ou aux arêtes tranchantes, car ils pourraient endommager l'appareil.
- Rangez l'appareil adéquatement à l'intérieur et dans un endroit sec. N'exposez pas l'appareil à des conditions de gel.
- Le rouleau-brosse continue de tourner lorsque l'appareil est en marche et que la poignée est redressée. Afin d'éviter tout dommage aux tapis, aux carpettes et aux revêtements de plancher, évitez d'incliner l'appareil ou de l'utiliser sur des meubles, des carpettes à franges ou des escaliers recouverts de tapis durant son utilisation.
- N'utilisez pas d'objet aux arêtes tranchantes pour nettoyer le tuyau, car cela risquerait de l'endommager.

INSTRUCTIONS DE MISE À LA TERRE

Cet appareil doit être mis à la terre. S'il devait mal fonctionner ou être endommagé, la mise à la terre fournira au courant électrique une résistance moindre afin de réduire le risque de décharge électrique. Cet appareil est muni d'un cordon électrique comportant un conducteur de protection (B) et une fiche de mise à la terre (A) (figure 1). La fiche doit être insérée dans une prise appropriée (C) qui est bien installée et mise à la terre conformément à tous les codes et règlements locaux (figure 1).

AVERTISSEMENT : Le branchement inapproprié du conducteur de protection peut entraîner des risques de décharge électrique. Consultez un électricien ou un technicien qualifié si vous n'êtes pas certain que la prise est bien mise à la terre. Ne modifiez pas la fiche fournie avec l'appareil. Si elle ne s'insère pas dans la prise, communiquez avec un électricien qualifié pour faire installer une prise appropriée. Cet appareil a été conçu pour être utilisé sur un circuit d'une tension nominale de 120 V. Il est équipé d'une fiche de mise à la terre semblable à la fiche (A) illustrée à la figure 1. Un adaptateur temporaire (D) peut être utilisé pour brancher cette fiche à une prise à deux alvéoles (E), si une prise correctement mise à la terre n'est pas disponible (figure 2). L'adaptateur temporaire doit uniquement être utilisé en attendant qu'une prise correctement mise à la terre (C) soit installée par un électricien qualifié (figure 1). La languette rigide verte (F), ou ce qui lui ressemble, attachée à l'adaptateur doit être reliée à une mise à la terre permanente (G), telle que le couvercle d'une boîte de sortie correctement mise à la terre (figure 2). Lorsque l'adaptateur est utilisé, il doit être maintenu en place à l'aide d'une vis à métaux. **Remarque :** Au Canada, l'utilisation d'un adaptateur temporaire n'est pas autorisée par le Code canadien de l'électricité.

Figure 1

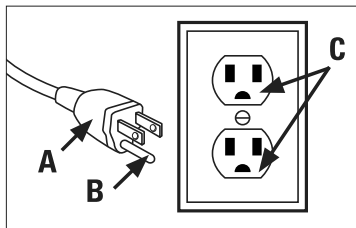
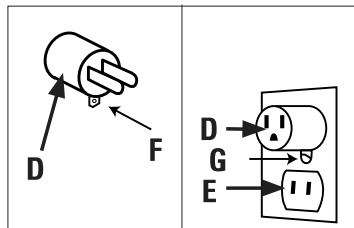


Figure 2



DIRECTIVE CONCERNANT L'UTILISATION D'UNE

RALLONGE

N'utilisez pas l'appareil lorsque le cordon ou la fiche est endommagé. Pour effectuer l'entretien, consultez un électricien ou un technicien en entretien qualifié. Utilisez uniquement des pièces de rechange identiques.

- Assurez-vous que la rallonge est en bon état et que son calibre est approprié à votre appareil. Le tableau (A) indique le calibre à utiliser en fonction de la longueur de la rallonge et de l'intensité nominale inscrite sur la plaque signalétique. En cas de doute, utilisez un calibre supérieur. Plus le calibre est petit, plus la rallonge est de gros diamètre. L'utilisation d'une rallonge de calibre trop faible entraînera une chute de la tension de ligne, ce qui à son tour provoquera une perte de puissance et une surchauffe.

Tableau A-Rallonges de calibre minimal

Intensité nominale		Volts	Longueur totale du cordon			
			7,62 m (25 pi)	15,24 m (50 pi)	30,48 m (100 pi)	45,72 m (150 pi)
Plus que A	Pas plus que A	120 V	mm² (AWG)			
0	6	—	0,82 (18)	1,3 (16)	1,3 (16)	2,1 (14)
6	10	—	0,82 (18)	1,3 (16)	2,1 (14)	3,3 (12)
10	12	—	0,82 (18)	1,3 (16)	2,1 (14)	3,3 (12)

Caractéristiques du produit

Contenu de l'emballage

Ⓐ Corps de l'aspirateur

Ⓑ Poignée

Ⓒ Suceur plat

Ⓓ Brosse à épouseter

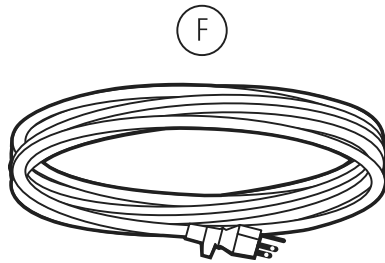
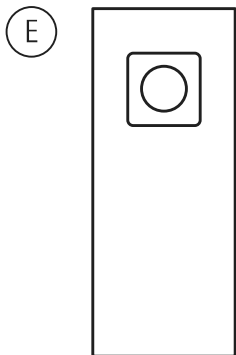
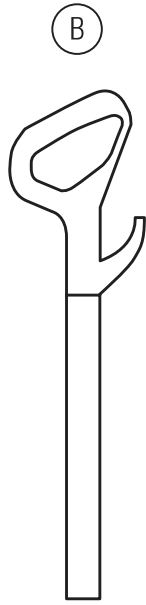
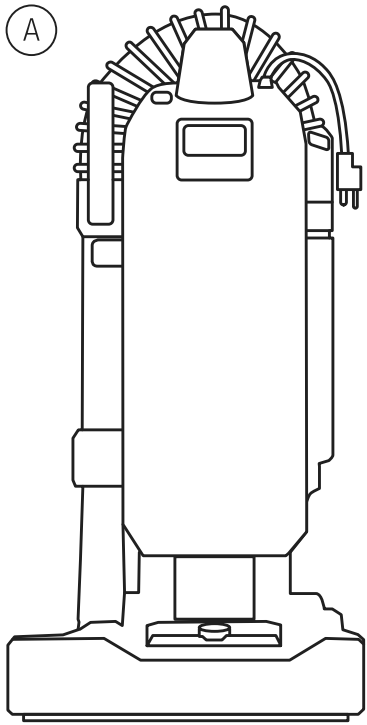
Ⓔ Sac-filtre

Ⓕ Rallonge

+ Guide d'utilisation

+ Guide de démarrage rapide

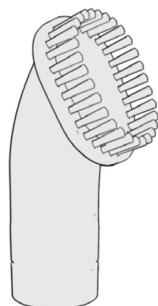
CARACTÉRISTIQUES DU PRODUIT



Outils de dépoussiérage

⚠ MISE EN GARDE ⚠ N'UTILISEZ PAS L'ASPIRATEUR POUR TOILETTER UN ANIMAL.

Les outils peuvent être utilisés avec le tube-rallonge intégré de nettoyage rapide.



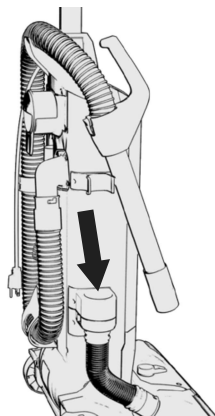
Outil pour revêtements en tissu :
Pour les meubles recouverts de tissu, les rideaux, les matelas, les vêtements et les escaliers en tapis.



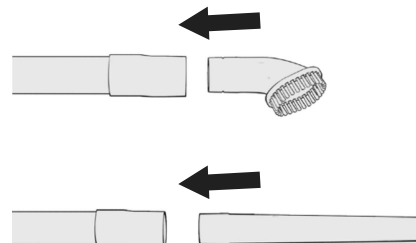
Suceur plat : Pour atteindre des espaces restreints, passer dans des coins et le long des tiroirs, des meubles, des escaliers et des plinthes.

Installation des outils

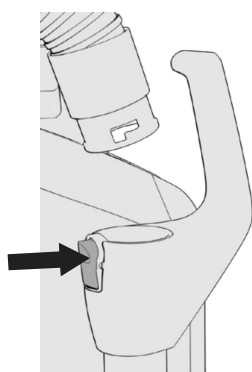
⚠ MISE EN GARDE ⚠ LE ROULEAU-BROSSE CONTINUE DE TOURNER LORSQUE L'APPAREIL EST EN MARCHÉ ET QUE LA POIGNÉE EST REDRESSÉE. AFIN D'ÉVITER TOUT DOMMAGE AUX TAPIS, AUX CARPETTES, AUX MEUBLES ET AUX REVÊTEMENTS DE PLANCHER, ÉVITEZ D'INCLINER L'APPAREIL OU DE L'UTILISER SUR DES MEUBLES, DES CARPETTES À FRANGES OU DES ESCALIERS RECOUVERTS DE TAPIS.



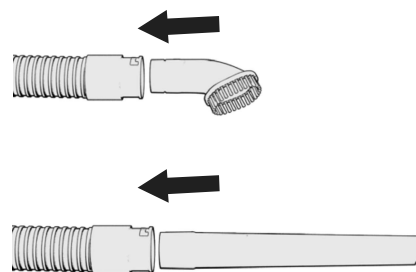
- 1** Pour étendre votre portée, retirez le tube-rallonge de son support en le tirant vers le haut.



- 2** Insérez fermement les outils à l'extrémité du tube-rallonge. Lorsque vous avez terminé, tournez l'outil et tirez sur ce dernier pour l'enlever.



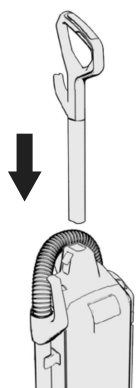
- 3** Pour utiliser l'extrémité du tuyau, appuyez sur la languette de dégagement et retirez le tuyau du tube-rallonge.



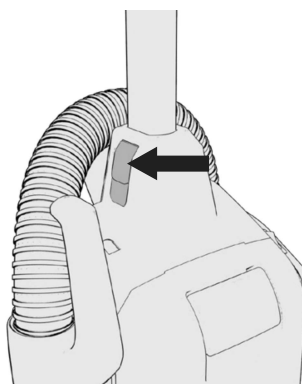
- 4** Insérez fermement les outils à l'extrémité du tuyau. Lorsque vous avez terminé, tournez l'outil et tirez sur ce dernier pour l'enlever.

Premiers pas

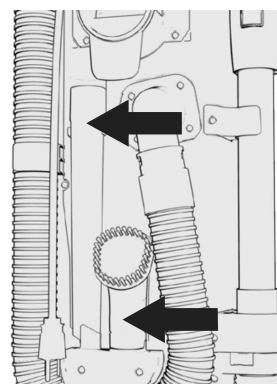
⚠ AVERTISSEMENT ⚠ DÉBRANCHEZ L'APPAREIL AVANT DE LE NETTOYER OU D'EN EFFECTUER L'ENTRETIEN AFIN DE RÉDUIRE LE RISQUE DE BLESSURES.



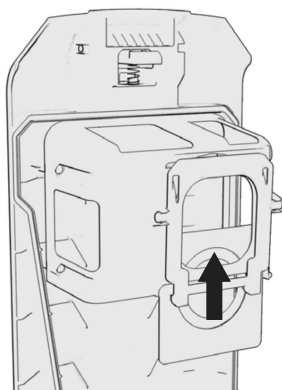
1 Insérez la poignée.



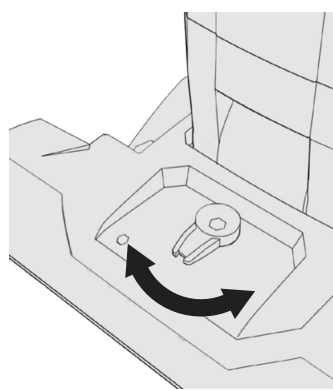
2 Appuyez sur la languette pour verrouiller la poignée en place.



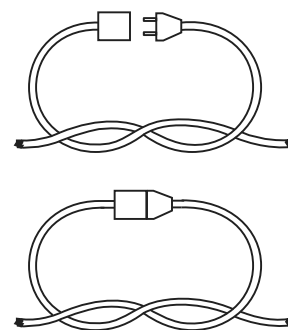
3 Installez les outils.



4 Vérifiez que le sac-filtre est bien installé dans la porte du sac.



5 Tournez le levier de réglage de la hauteur au niveau désiré. Si l'aspirateur est difficile à déplacer, réglez le levier au prochain réglage de hauteur.

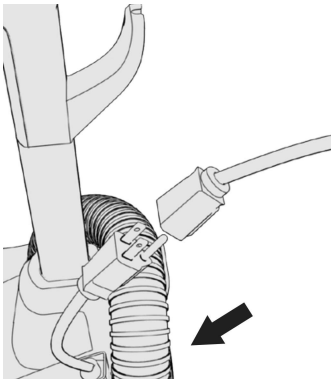


6 Pour réduire le risque de débranchement de la rallonge pendant que vous utilisez l'appareil, faites un nœud comme illustré à la figure 1.

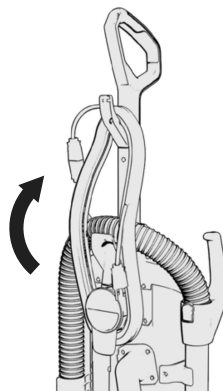


POUR OBTENIR DE L'AIDE

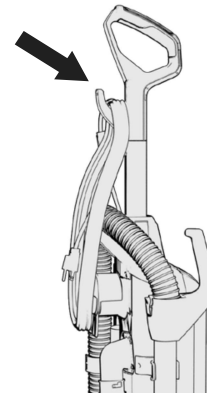
1 800 944-9200 (entre 8 h et 19 h (HNE) du lundi au vendredi)



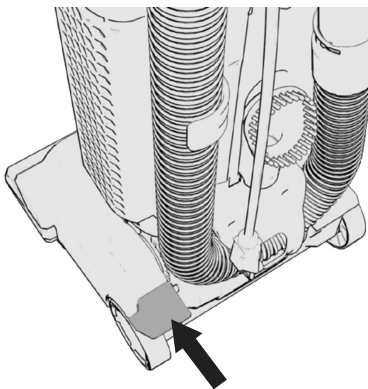
7 Branchez le cordon à la rallonge.



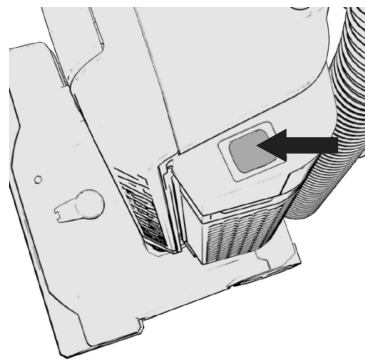
8 Enroulez le cordon autour des crochets destinés à cet effet avant de ranger l'appareil.



9 Ou placez-le simplement sur le crochet supérieur avant de ranger l'appareil.



10 Appuyez sur la pédale de dégagement de la poignée avec votre pied et tirez la poignée vers l'arrière.



11 Mettez l'aspirateur en marche en appuyant sur l'interrupteur vers l'avant ou l'arrière pour sélectionner le niveau de puissance désiré.

Appuyez vers l'arrière à la position ON (I) (marche) pour un nettoyage normal, moins d'interruptions et un niveau de bruit faible.

Appuyez vers l'avant à la position BOOST (II) (puissance maximale) lorsque vous avez besoin d'une puissance accrue (O) (pour nettoyer les tapis d'entrée ou les aires très fréquentées).

Éteignez l'appareil en déplaçant l'interrupteur à la position centrale.

Entretien

Toute autre tâche d'entretien doit être confiée à un représentant de service autorisé.
Cessez d'utiliser l'appareil s'il ne fonctionne pas comme prévu, s'il a été échappé sur le sol ou dans l'eau, s'il est endommagé ou s'il a été laissé à l'extérieur et apportez-le au centre de réparations.

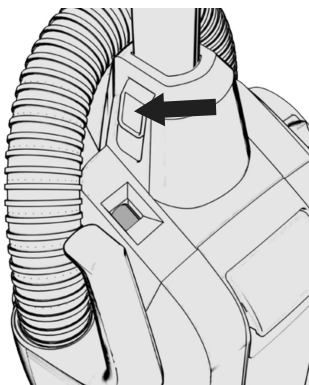
RUPTEUR THERMIQUE

Votre appareil est équipé d'un rupteur thermique interne afin de le protéger contre la surchauffe. L'appareil cessera de fonctionner si ce rupteur thermique s'active.

Voici ce qu'il faut faire lorsque ceci survient :

1. ÉTEIGNEZ l'appareil et débranchez-le de la prise de courant.
2. Vérifiez si le sac est plein et changez-le au besoin.
3. Vérifiez si la conduite d'air est obstruée. Dégagez toutes les obstructions visibles.
4. Le rupteur thermique se réinitialisera après le débranchement de l'appareil et une fois que le moteur aura refroidi pendant 30 minutes. Vous pourrez à ce moment reprendre le travail.

Votre appareil devra être réparé si le rupteur thermique ne se réinitialise pas après avoir respecté les étapes ci-dessus.



Indicateur de performance

Pour que l'utilisateur puisse profiter d'un nettoyage optimal, un témoin l'alerte lorsque le sac est obstrué ou plein.

Si la couleur passe du vert au rouge, procédez comme suit :

⚠ AVERTISSEMENT ⚠ DÉBRANCHEZ L'APPAREIL AVANT DE LE NETTOYER OU D'EN EFFECTUER L'ENTRETIEN AFIN DE RÉDUIRE LE RISQUE DE BLESSURES.

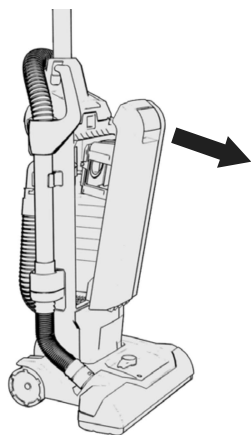
- 1 Vérifiez le sac-filtre. Changez-le s'il est plein.

Remarque : Si vous utilisez l'aspirateur pour ramasser des poussières très fines, comme de la sciure ou de la poussière de plâtré, il sera nécessaire de remplacer le sac et de nettoyer les filtres à des intervalles fréquents afin de maintenir une puissance de ramassage maximale. Les poussières fines bouchent les orifices du sac et réduisent l'aspiration, avant que le sac ne devienne plein.

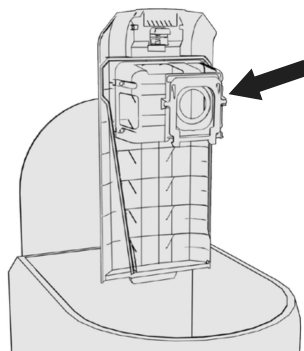
- 2 Vérifiez si la buse, le tuyau et l'entrée du sac sont obstrués. Dégagez toutes les obstructions.

Comment remplacer le sac-filtre

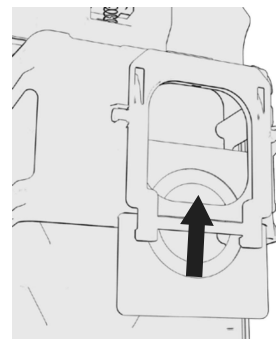
⚠ AVERTISSEMENT ⚠ DÉBRANCHEZ L'APPAREIL AVANT DE LE NETTOYER OU D'EN EFFECTUER L'ENTRETIEN AFIN DE RÉDUIRE LE RISQUE DE BLESSURES.



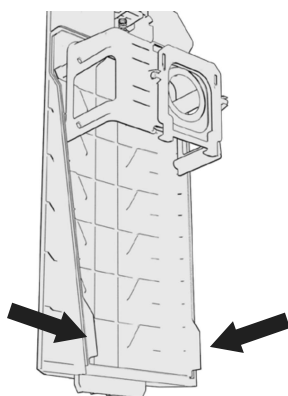
1 Tirez sur le loquet de dégagement orange pour ouvrir la porte du sac.



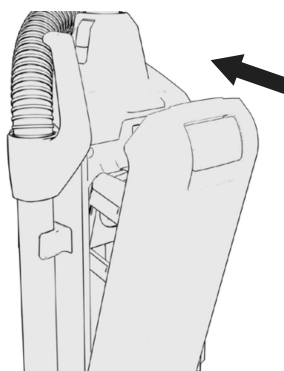
2 Appuyez sur le loquet de dégagement orange du sac pour jeter le sac sans avoir à y toucher.



3 Glissez l'extrémité cartonnée dans le support de sac jusqu'à ce que le sac soit bien installé.



4 Insérez le sac à l'intérieur des languettes inférieures.



5 Remplacez le couvercle frontal et assurez-vous que le verrou s'enclenche en place. Assurez-vous que le sac n'est pas coincé dans le joint de la porte.

⚠ IMPORTANT ⚠ NE NETTOYEZ PAS L'ANCIEN SAC-FILTRE POUR LE RÉUTILISER. JETEZ LE SAC-FILTRE USÉ. NE PASSEZ PAS L'ASPIRATEUR SI AUCUN SAC-FILTRE N'EST INSTALLÉ.



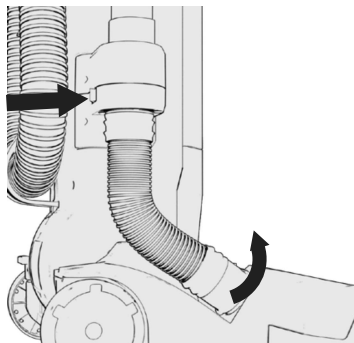
SACS DE RECHANGE

Filtration standard, paquet de 10, no de pièce AH10143

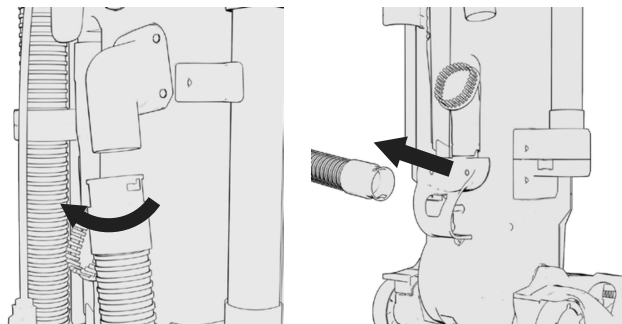
Filtration allergène, paquet de 10, no de pièce AH10243

Comment vérifier si l'aspirateur est obstrué

⚠ AVERTISSEMENT ⚠ DÉBRANCHEZ L'APPAREIL AVANT DE LE NETTOYER OU D'EN EFFECTUER L'ENTRETIEN AFIN DE RÉDUIRE LE RISQUE DE BLESSURES.



- 1** Retirez le tuyau flexible en tournant le manchon inférieur dans le sens contraire des aiguilles d'une montre, puis en appuyant sur la languette située sur le support du tube-rallonge. Vérifiez si l'entrée du tuyau est obstruée.



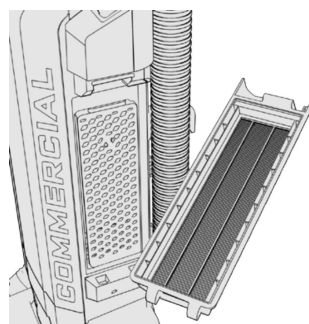
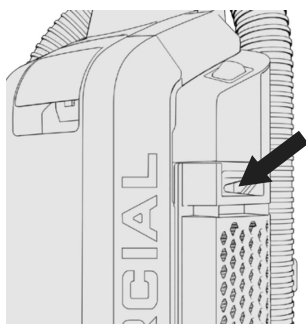
- 2** Retirez le tuyau arrière en tournant le manchon supérieur dans le sens contraire des aiguilles d'une montre, puis en glissant le tuyau dans le support inférieur. Redressez le tuyau et vérifiez s'il est obstrué.

Filtres

⚠ AVERTISSEMENT ⚠ DÉBRANCHEZ L'APPAREIL AVANT DE LE NETTOYER OU D'EN FAIRE L'ENTRETIEN AFIN DE RÉDUIRE LE RISQUE DE BLESSURES. N'UTILISEZ PAS L'ASPIRATEUR SI LE FILTRE D'ENTRÉE ET LE FILTRE FINAL NE SONT PAS INSTALLÉS.

Filtre conçu avec la technologie HEPA

Le filtre final contribue au processus de filtration en assainissant l'air rejeté dans la pièce.



1 Pour le retirer, abaissez la languette et tirez sur le boîtier de filtre.

2 Rincez le filtre à l'eau froide, sous un faible débit d'eau. Rincez uniquement la face ouverte vers le haut. Laissez le filtre sécher, puis repositionnez-le sur le boîtier de filtre. Poussez fermement sur la languette pour le fixer en place.

⚠ IMPORTANT ⚠ LAISSEZ LE FILTRE SÉCHER COMPLÈTEMENT AVANT DE LE REMETTRE EN PLACE. PLACEZ LE FILTRE DE CÔTÉ POUR LE FAIRE SÉCHER DE SORTE QUE L'AIR CIRCULE DES DEUX CÔTÉS DU FILTRE. LE TEMPS DE SÉCHAGE PEUT PRENDRE JUSQU'À 24 HEURES.



FILTRE DE RECHANGE

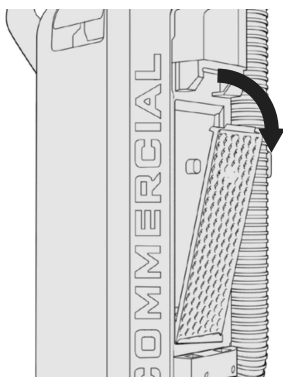
Rincez le **Filtre final HEPA** tous les deux mois. Vérifiez si le filtre est usé et remplacez-le si les plis sont endommagés. Changez le filtre régulièrement pour maintenir une performance optimale.

No de pièce : 440007773

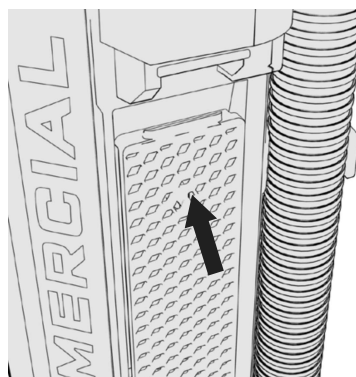
Filtres

⚠ AVERTISSEMENT ⚠ DÉBRANCHEZ L'APPAREIL AVANT DE LE NETTOYER OU D'EN FAIRE L'ENTRETIEN AFIN DE RÉDUIRE LE RISQUE DE BLESSURES. N'UTILISEZ PAS L'ASPIRATEUR SI LE FILTRE D'ENTRÉE ET LE FILTRE FINAL NE SONT PAS INSTALLÉS.

Filtre à charbon actif HexaGuard^{MC}



1 Pour retirer le filtre du boîtier, tirez-le à partir du haut. Ne le rincez pas.



2 Pour replacer le filtre, alignez les languettes sur les ouvertures appropriées et inclinez le filtre vers le boîtier. Assurez-vous de bien le fixer en place.



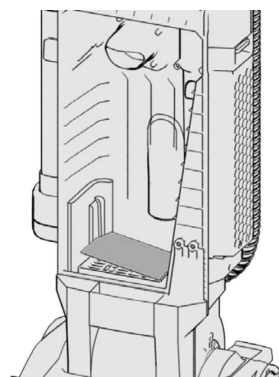
FILTRE DE RECHANGE

Remplacez le filtre **HexaGuardTM** chaque année pour obtenir une performance optimale.

⚠ AVERTISSEMENT ⚠ DÉBRANCHEZ L'APPAREIL AVANT DE LE NETTOYER OU D'EN FAIRE L'ENTRETIEN AFIN DE RÉDUIRE LE RISQUE DE BLESSURES. N'UTILISEZ PAS L'ASPIRATEUR SI LE FILTRE D'ENTRÉE ET LE FILTRE FINAL NE SONT PAS INSTALLÉS.

Filtre d'entrée

Le filtre d'entrée protège le moteur contre les dommages.



- 1 Si le filtre devient sale, retirez la grille et soulevez le filtre. Rincez-le à l'eau froide, sous un faible débit d'eau. Laissez-le sécher pendant 24 heures. Repositionnez le filtre sec et fixez la grille en place.



FILTRE DE RECHANGE

Remplacez le **filtre d'entrée** tous les six mois pour que l'aspirateur offre une performance optimale.

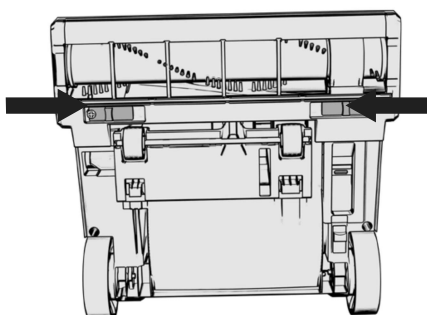
No de pièce : 440007774

Retrait du rouleau-brosse et de la courroie

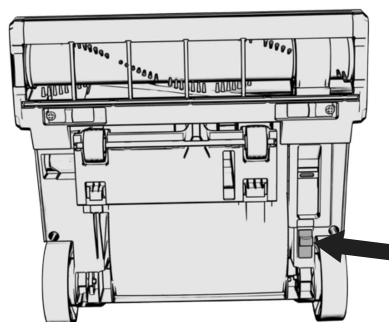
Lubrification

Le moteur et le rouleau-brosse sont équipés de roulements qui contiennent suffisamment de lubrifiant pour toute leur durée de vie. L'ajout de lubrifiant pourrait causer des dommages. N'ajoutez pas de lubrifiant au moteur ni au rouleau de brosses.

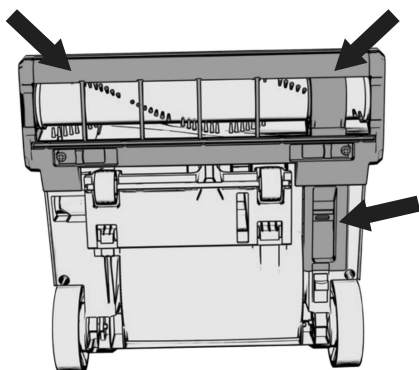
⚠ MISE EN GARDE ⚠ DÉBRANCHEZ L'APPAREIL AVANT D'EN EFFECTUER L'ENTRETIEN AFIN DE RÉDUIRE LE RISQUE DE BLESSURES PRÉSENTÉ PAR LES PIÈCES EN MOUVEMENT.



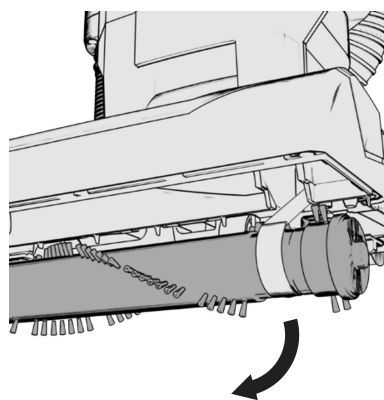
1 Glissez les languettes orange vers le centre.



2 Glissez la languette arrière vers l'arrière, à la position déverrouillée.

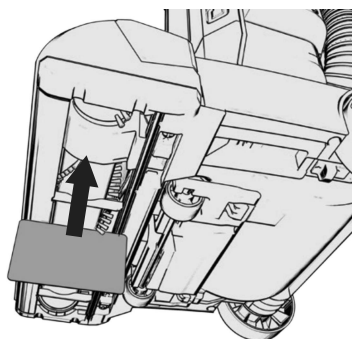


3 Enlevez la base.



4 Retirez le rouleau-brosse, puis retirez la courroie usée ou brisée et remplacez-la. Assurez-vous que la courroie est centrée sur l'arbre de moteur et se trouve bien à l'intérieur des rainures du rouleau-brosse avant de replacer ce dernier dans l'appareil.

⚠ MISE EN GARDE ⚠ DÉBRANCHEZ L'APPAREIL AVANT D'EN EFFECTUER L'ENTRETIEN AFIN DE RÉDUIRE LE RISQUE DE BLESSURES PRÉSENTÉ PAR LES PIÈCES EN MOUVEMENT.



- 5** Vérifiez l'usure du rouleau-brosse à l'aide d'une carte d'affaires ou d'une carte de crédit. Si la carte ne touche pas aux poils, remplacez le rouleau-brosse.

Toute autre tâche d'entretien doit être confiée à un représentant de service autorisé. Cessez d'utiliser l'appareil s'il ne fonctionne pas comme prévu, s'il a été échappé sur le sol ou dans l'eau, s'il est endommagé ou s'il a été laissé à l'extérieur et apportez-le au centre de réparations pour le faire inspecter avant de continuer à l'utiliser.



ROULEAU-BROSSE DE RECHANGE

CH54013, no de pièce 440007800

CH54015, no de pièce 440007801

CH54113 (avec intelliBelt), no de pièce 44000802

CH54115 (avec intelliBelt), no de pièce 44000803

COURROIE DE RECHANGE

CH54013/CH54015, no de pièce 38528058

CH54113/CH54115 (avec intelliBelt), no de pièce 440007804

Dépannage

⚠ WARNING ⚠ DÉBRANCHEZ L'APPAREIL AVANT DE LE NETTOYER OU D'EN EFFECTUER L'ENTRETIEN AFIN DE RÉDUIRE LE RISQUE DE BLESSURES.

Toute autre tâche d'entretien doit être confiée à un représentant de service autorisé.
Cessez d'utiliser l'appareil s'il ne fonctionne pas comme prévu, s'il a été échappé sur le sol ou dans l'eau, s'il est endommagé ou s'il a été laissé à l'extérieur et apportez-le au centre de réparations pour le faire inspecter avant de continuer à l'utiliser.

Problème	Cause possible	Solution possible
L'aspirateur ne fonctionne pas.	1. Le cordon d'alimentation n'est pas correctement branché sur la prise.	1. Insérez fermement la fiche dans la prise de courant.
	2. Fusible grillé ou disjoncteur déclenché.	2. Vérifiez les fusibles ou les disjoncteurs. Remplacez le fusible ou réarmez le disjoncteur.
	3. Le rupteur thermique est activé.	3. Débranchez l'aspirateur et laissez-le refroidir pendant 30 minutes. (Cette action réinitialisera le rupteur thermique).
L'indicateur de vérification du sac est devenu rouge OU l'aspirateur ne ramasse pas la saleté OU il présente une faible succion.	1. Le sac-filtre est plein ou obstrué.	1. Videz le sac-filtre (page 15).
	2. La courroie est brisée ou usée.	2. Remplacez la courroie (page 20).
	3. Le rouleau-brosse ou le tuyau sont obstrués.	3. Vérifiez le tuyau (page 16). Vérifiez le rouleau-brosse (page 20-21).
	4. Le réglage de la hauteur sur tapis est incorrect.	4. Réglez la hauteur sur tapis au réglage approprié au tapis à nettoyer (page 12).
De la poussière s'échappe de l'aspirateur.	1. Le sac-filtre est plein.	1. Videz le sac-filtre (page 15).
	2. Le sac-filtre n'est pas installé correctement.	2. Consultez la section sur le retrait et le remplacement du sac-filtre (page 15).
	3. Le tuyau est mal installé.	3. Vérifiez l'installation du tuyau.
L'aspirateur est difficile à déplacer ou à pousser vers l'avant.	1. Le réglage de la hauteur sur tapis est incorrect.	1. Réglez la hauteur sur tapis au réglage approprié au tapis à nettoyer (page 12).
	2. La base n'est pas installée correctement.	2. Consultez la page 20.
Une odeur de fumée ou de brûlé est détectée.	1. La courroie est brisée ou lâche.	1. Remplacez la courroie du rouleau-brosse (page 20).
	2. Le rouleau à brosses est coincé.	2. Retirez les débris du rouleau-brosse (page 20-21).

Garantie

GARANTIE LIMITÉE DE 2 ANS

COUVERTURE DE LA GARANTIE

Lorsqu'ils sont utilisés et entretenus dans des conditions normales d'utilisation et d'entretien commerciaux, comme il est stipulé dans le guide de l'utilisateur, votre produit commercial HOOVER^{MD} est garanti contre les défauts de fabrication et de main-d'œuvre pendant une période de deux ans à partir de la date d'achat (ci-après la « période de garantie »). Pendant la période de garantie, telle qu'elle est décrite dans la présente garantie, HOOVER[®] fournira la main-d'œuvre et les pièces gratuitement afin de corriger une telle défectuosité pour les produits achetés aux États-Unis, dans les boutiques d'échanges militaires américaines et au Canada.

RÉCLAMATION AU TITRE DE LA GARANTIE

Si le produit n'est pas dans l'état prévu par la garantie, apportez ou envoyez le produit chez un fournisseur autorisé de service sous garantie HOOVER^{MD} avec une preuve d'achat. Pour obtenir la liste des points de service autorisés, composez le numéro du service automatisé au 1 800 944-9200 OU visitez Hoover^{MD} Commercial en ligne au www.hoovercommercial.com (clients des États-Unis) ou au www.hoover.ca (clients du Canada). Pour obtenir du soutien ou d'autres renseignements au sujet de la garantie ou pour connaître les boutiques offrant les réparations au titre de la garantie, composez le 1 800 944-9200, entre 8 h et 19 h (HNE) du lundi au vendredi. Au Canada, composez le 1 800 263-6376, entre 8 h et 19 h (HNE) du lundi au vendredi.

ÉLÉMENTS NON COUVERTS PAR LA GARANTIE

Certaines pièces de votre produit commercial HOOVER^{MD} doivent être remplacées dans le cours normal d'utilisation en raison d'une usure normale. Ces pièces comprennent les courroies, les manchons du rouleau-brosse, les roulements du rouleau-brosse, les brosses, les sacs, les filtres et les ampoules. Ces pièces ne sont pas couvertes par la présente garantie.

De plus, la présente garantie ne couvre pas : un entretien inadéquat du produit, les bris causés par la mauvaise utilisation, les cas fortuits, les catastrophes naturelles, le vandalisme et autres actes hors du contrôle de HOOVER^{MD}, les agissements ou omissions du propriétaire, l'utilisation à l'extérieur du pays d'achat, la revente du produit par le premier acheteur, les défauts ou les dommages causés par quiconque autre qu'un fournisseur autorisé de service sous garantie HOOVER^{MD}. HOOVER^{MD}, Inc. se réserve le droit d'inspecter tout produit présumé défectueux et de prendre les décisions définitives à l'égard de toute réclamation au titre de la garantie. La présente garantie ne couvre pas le ramassage, la livraison, le transport, ni les réparations à domicile. Toutefois, si vous envoyez votre produit par courrier à un fournisseur autorisé de service sous garantie HOOVER^{MD} pour une réparation sous garantie, les frais de livraison de retour seront payés.

AUTRES CONDITIONS IMPORTANTES

La présente garantie n'est pas transférable et ne peut pas être cédée. La présente garantie sera régie et interprétée selon les lois de l'État de l'Ohio. La période de garantie ne sera pas prolongée après tout remplacement ou toute réparation au titre de la présente garantie.

CETTE GARANTIE EST VOTRE UNIQUE RECOURS ET VOIE DE DROIT FOURNIS PAR HOOVER^{MD}. TOUTES AUTRES GARANTIES, EXPRESSES OU TACITES, INCLUANT LES GARANTIES DE QUALITÉ MARCHANDE OU D'ADAPTATION À UN USAGE PARTICULIER, SONT DÉCLINÉES. EN AUCUN TEMPS, HOOVER^{MD} NE POURRA ÊTRE TENUE RESPONSABLE DE TOUS LES DOMMAGES-INTÉRÊTS SPÉCIAUX, INDIRECTS, ACCIDENTELS OU ACCESSOIRES D'AUCUNE SORTE OU D'AUCUNE NATURE ENVERS LE PROPRIÉTAIRE OU DE TOUTES PARTIES RÉCLAMANT AU NOM DU PROPRIÉTAIRE, QUE CE SOIT PAR CONTRAT, NÉGLIGENCE, TORT OU RESPONSABILITÉ STRICTE DES PRODUITS OU SURVENUS PAR QUELQUE CAUSE QUE CE SOIT. Certains États ne permettent pas l'exclusion des dommages consécutifs. Par conséquent, l'exclusion précédente pourrait ne pas être applicable dans votre cas. La présente garantie vous donne des droits précis. Vous pouvez également avoir d'autres droits, lesquels varient d'un État à l'autre.

HUSHTONE™

ASPIRADORA CON BOLSA VERTICAL



Para usar con los modelos

CH54013, CH54113,
CH54015, CH54115

IMPORTANTE: Lea la guía con atención antes de ensamblar y usar este aparato. Este producto solo tiene como fin su uso comercial.

Manual del usuario



COMMERCIAL

Bienvenido.

Gracias por elegir un producto HOOVER® Commercial.



SI NECESITA AYUDA

Llame al 1-800-944-9200 para hablar con un representante de atención al cliente, de lunes a viernes de 8 a. m. a 7 p. m. (Hora Estándar del Este) o visite nuestro sitio web hoovercommercial.com.

Índice

Instrucciones de seguridad	52
Características del producto	56
Herramientas	58-59
Conexión de las herramientas	59
Cómo comenzar	60
Mantenimiento	62
Indicador de rendimiento	62
Cómo reemplazar la bolsa de filtro	63
Cómo detectar atascamientos	64
Filtros	65-67
Filtro final de medios HEPA	65
Filtro de carbón activado HexaGuard	66
Filtro de entrada.....	67
Extracción del cepillo giratorio y la correa.....	68
Resolución de problemas	70
Garantía	71

INSTRUCCIONES DE SEGURIDAD

¡GUARDE ESTAS INSTRUCCIONES!

LEA ESTE MANUAL CON ATENCIÓN ANTES DE ENSAMBLAR Y USAR ESTE APARATO.

Cuando se utilizan aparatos eléctricos, siempre deben seguirse precauciones básicas, incluidas las siguientes: **LEA TODAS LAS INSTRUCCIONES ANTES DE UTILIZAR ESTE APARATO.**

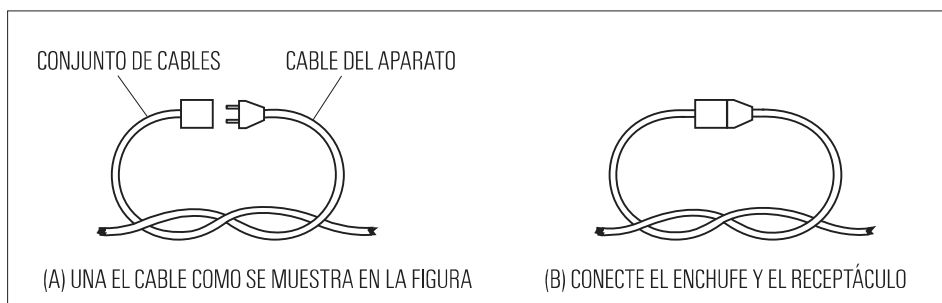
ADVERTENCIA: PARA DISMINUIR EL RIESGO DE INCENDIO, DESCARGA ELÉCTRICA O LESIONES:

- Arme la aspiradora por completo antes de ponerla en funcionamiento.
- Opere la aspiradora únicamente con el voltaje especificado en la placa de datos ubicada en su parte trasera.
- No descuide el aparato cuando esté enchufado. Desenchúfelo del tomacorriente cuando no esté en uso y antes de su limpieza o servicio de mantenimiento.
- No utilice la aspiradora en exteriores o en superficies mojadas.
- Evite que se la utilice como un juguete. La unidad no tiene como fin el uso por parte de niños de 12 años o menos. Cuando se la utilice cerca de niños, será necesario hacerlo bajo una estricta supervisión. Para evitar lesiones o daños, mantenga a los niños alejados del producto y no permita que introduzcan los dedos ni objetos en ninguna de las aberturas del producto.
- Utilícela únicamente según el uso descrito en este manual. Utilice solamente los accesorios y productos recomendados por el fabricante.
- No la utilice si el cable o el enchufe se encuentran dañados. Si el aparato no funciona como debe, si se ha caído, dañado, dejado a la intemperie, o si se ha sumergido en agua, llévelo a un Centro técnico antes de continuar usándolo.
- No tire del aparato ni lo transporte tomándolo por el cable, no use el cable como una manija, no cierre una puerta sobre el cable ni lo enrosque alrededor de bordes o esquinas filosas. No pase el aparato por encima del cable. Mantenga el cable lejos de las superficies calientes.
- No lo desenchufe tirando del cable. Para desenchufarlo, agarre el enchufe, no el cable.
- No manipule el enchufe ni el aparato con las manos mojadas.
- No coloque ningún objeto en las aberturas. No utilice la unidad si alguna de sus aberturas se encuentra bloqueada. Manténgala libre de polvo, pelusas, cabello y cualquier otro elemento que pueda disminuir el flujo de aire.
- Evite que el cabello, la ropa suelta, los dedos y cualquier otra parte del cuerpo entren en contacto con las aberturas y las piezas móviles de la unidad. El cepillo giratorio permanecerá girando mientras la unidad esté en posición vertical.
- Apague todos los controles antes de desenchufar el aparato.
- Extreme las precauciones cuando utilice la aspiradora para limpiar escaleras. Para evitar lesiones o daños físicos, y a fin de evitar que la aspiradora se caiga, siempre colóquela al pie de las escaleras o sobre el suelo. No coloque la aspiradora sobre las escaleras ni sobre un mueble, ya que pueden generarse lesiones o daños.
- No utilice el aparato para aspirar líquidos combustibles o inflamables, tales como gasolina o restos de madera lijada, ni lo utilice en áreas en las que dichos elementos puedan estar presentes.
- Conecte la unidad únicamente a un tomacorriente correctamente conectado a tierra. Consulte la sección Instrucciones de puesta a tierra.
- No aspire nada que se encuentre en combustión o emita humo, como cigarrillos, fósforos o cenizas calientes.
- No utilice la unidad si esta no tiene colocados la bolsa de recolección de residuos o los filtros.

ADVERTENCIA: Este producto contiene químicos reconocidos por el Estado de California como causantes de cáncer, defectos de nacimiento u otros daños reproductivos.
LÁVESE LAS MANOS LUEGO DE UTILIZARLO.

- Asegúrese de que el cable de extensión esté en buenas condiciones y que tenga el tamaño correcto para el aparato. La Tabla (A) muestra el tamaño correcto que debe utilizar según la longitud del cable y la calificación de amperaje de la placa de identificación. Si tiene dudas, utilice el calibre siguiente más grande. Mientras más pequeño sea el número de calibre, mayor será el cable. Un cable de extensión de tamaño pequeño puede provocar una caída en el voltaje de línea que causará pérdida de alimentación y sobrecalentamiento.
- Utilice solo cables de tipo SJ o SJT de tres alambres que posean enchufes y receptáculos de conexión a tierra de tres dientes que acepten el enchufe del aparato.
- Para reducir el riesgo de lesiones personales debido a una conexión débil entre el enchufe del aparato y el cable de extensión, conecte el enchufe del aparato de manera firme y completa al cable de extensión. Verifique la conexión periódicamente mientras el aparato está en funcionamiento para garantizar que esté completamente conectado. No utilice un cable de extensión con una conexión floja. Una conexión floja puede provocar sobrecalentamiento, incendios y aumento del riesgo de quemaduras.
- Para reducir el riesgo de desconexión del cable del aparato del cable de extensión durante el funcionamiento: Haga un nudo como se muestra en la Figura 1.
- Mantenga el aparato con cuidado: inspeccione los cables de extensión periódicamente y reemplácelos si están dañados.

Figura 1



PRECAUCIÓN: PARA DISMINUIR EL RIESGO DE DAÑOS:

- Evite aspirar objetos duros y filosos con este producto, ya que pueden dañarlo.
- Almacénelo apropiadamente en interiores, en un lugar seco. No exponga la máquina a temperaturas muy frías.
- El cepillo giratorio sigue girando mientras el producto está encendido y la manija se encuentra en posición vertical. Para evitar dañar alfombras y pisos, no incline la aspiradora sobre muebles, flecos de alfombras o escaleras alfombradas, ni la coloque sobre estos cuando use esta herramienta.
- No utilice objetos filosos para limpiar la manguera, ya que pueden dañar la unidad.

INSTRUCCIONES DE PUESTA A TIERRA

Este aparato debe ser conectado a tierra. Si existe un mal funcionamiento o una rotura, la puesta a tierra proporciona una vía de menor resistencia para la corriente eléctrica a fin de reducir el riesgo de descarga eléctrica. El aparato viene equipado con un cable que presenta un conductor de puesta a tierra del equipo (B) y un enchufe de puesta a tierra (A)(Fig.1). El enchufe debe insertarse en un tomacorriente apropiado (C) que esté correctamente instalado y puesto a tierra, de conformidad con todos los códigos y ordenanzas locales(Fig 1).

ADVERTENCIA: La conexión incorrecta del conductor de puesta a tierra del equipo puede generar riesgo de descarga eléctrica. Consulte con un electricista o técnico cualificado si tiene dudas sobre la puesta a tierra correcta del tomacorriente. No modifique el enchufe incluido en el aparato: si no encaja en el tomacorriente, solicite la instalación de un tomacorriente correspondiente a un electricista cualificado. Este aparato tiene como fin su uso en un circuito de 120 voltios nominales y cuenta con un enchufe de puesta a tierra que se parece al enchufe (A) de la (Fig. 1). Para conectar este enchufe a un receptáculo de 2 polos (E), en caso de que no haya un tomacorriente correctamente puesto a tierra (Fig. 2), puede utilizarse un adaptador temporario (D). Dicho adaptador debe utilizarse solo hasta que un electricista calificado instale el correspondiente tomacorriente puesta a tierra (C) (Fig. 1). La oreja rígida de color verde, terminal, o similar (F) que se extiende del adaptador debe conectarse a un conector a tierra fijo (G), tal como la cubierta de una caja de conexiones debidamente puesta a tierra (Fig. 2). Toda vez que utilice el adaptador, deberá ser sostenido en su lugar con un tornillo de metal. **Nota:** En Canadá, el Código Eléctrico Canadiense no permite el uso de un adaptador temporal.

Figura 1

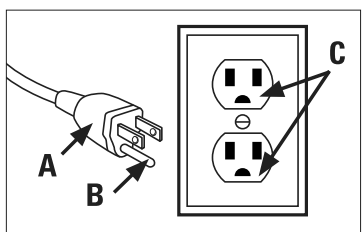
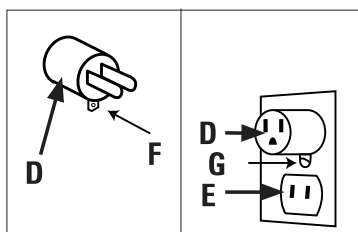


Figura 2



GUÍA PARA EL CABLE DE EXTENSIÓN

No utilice el aparato si el cable o el enchufe se encuentran dañados. Cuando realice el mantenimiento, consulte solo con un electricista calificado o con la persona que realiza el servicio. Utilice solo piezas de repuesto idénticas.

- Asegúrese de que el cable de extensión esté en buenas condiciones y que tenga el tamaño correcto para el aparato. La Tabla (A) muestra el tamaño correcto que debe utilizar según la longitud del cable y la calificación de amperaje de la placa de identificación. Si tiene dudas, utilice el calibre siguiente más grande. Mientras más pequeño sea el número de calibre, mayor será el cable. Un cable de extensión de tamaño pequeño puede provocar una caída en el voltaje de línea que causará pérdida de alimentación y sobrecalentamiento.

Tabla A - Cables de extensión de calibre mínimo

Calificación de amperaje		Voltios	Longitud total del cable			
			7,62 m (25 pies)	15,24 m (50 pies)	30,48 m (100 pies)	45,72 m (150 pies)
Más de A	No más de A	120 V	mm² (AWG)			
0	6	—	0,82 (18)	1,3 (16)	1,3 (16)	2,1 (14)
6	10	—	0,82 (18)	1,3 (16)	2,1 (14)	3,3 (12)
10	12	—	0,82 (18)	1,3 (16)	2,1 (14)	3,3 (12)

Características del producto

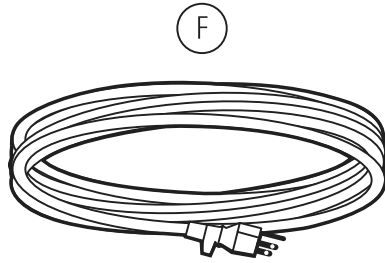
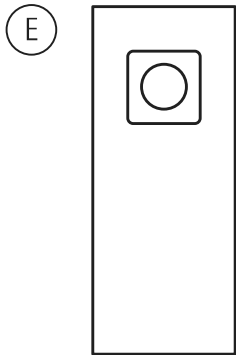
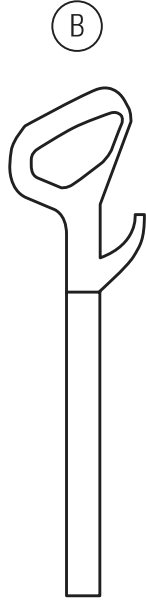
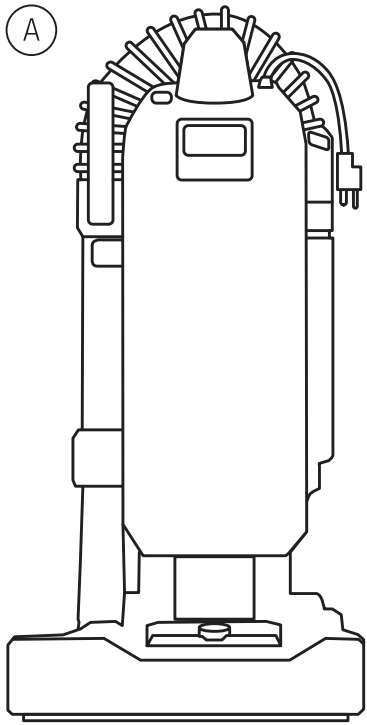
Contenidos de la caja de embalaje

- Ⓐ Ensamble de la aspiradora
- Ⓑ Manija
- Ⓒ Herramienta para limpieza en rincones
- Ⓓ Cepillo quitapolvo
- Ⓔ Bolsa de filtro
- Ⓕ Cable de extensión

+ Manual del usuario

+ Guía de inicio rápido

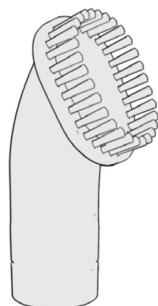
CARACTERÍSTICAS DEL PRODUCTO



Herramientas

⚠ PRECAUCIÓN ⚠ LA ASPIRADORA NO DEBE UTILIZARSE PARA LIMPIAR MASCOTAS.

Las herramientas accesorias pueden utilizarse con la varilla integrada de limpieza rápida o en el extremo de la manguera.



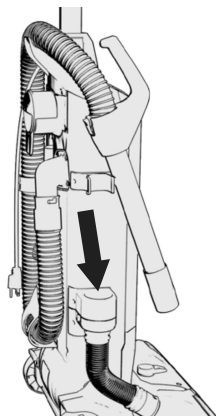
Boquilla para limpieza en tapizados: Para muebles tapizados, cortinajes, colchones, prendas y escaleras con alfombras.



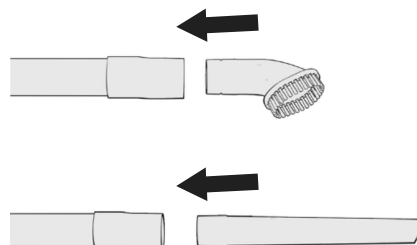
Herramienta para limpieza en rincones: Para alcance extendido a espacios confinados, esquinas y bordes perimetrales de cómodas, muebles, escaleras y zócalos.

Conexión de las herramientas

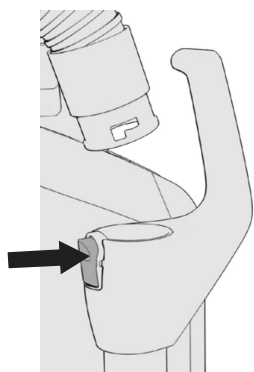
⚠ PRECAUCIÓN ⚠ EL CEPILLO GIRATORIO SIGUE GIRANDO MIENTRAS LA ASPIRADORA ESTÁ ENCENDIDA Y LA MANIJA SE ENCUENTRA EN POSICIÓN VERTICAL. PARA EVITAR DAÑOS EN ALFOMBRADOS, ALFOMBRAS, MUEBLES Y PISOS, EVITE INCLINAR LA ASPIRADORA O COLOCARLA SOBRE MUEBLES, FLECOS DE ALFOMBRAS O ESCALERAS ALFOMBRADAS DURANTE EL USO DE DICHA HERRAMIENTA.



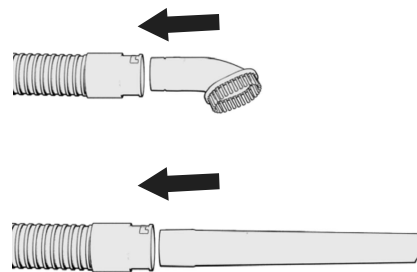
- 1** Para un alcance extendido, retire la varilla del soporte tirando en forma recta hacia arriba y hacia afuera.



- 2** Presione las herramientas en forma firme dentro del extremo de la varilla. Cuando termine, gire y tire para retirarlas.



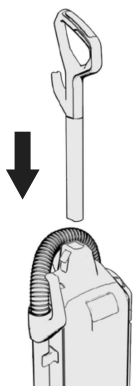
- 3** Para utilizar el extremo de la manguera, presione la lengüeta de liberación y tire de la manija de la varilla.



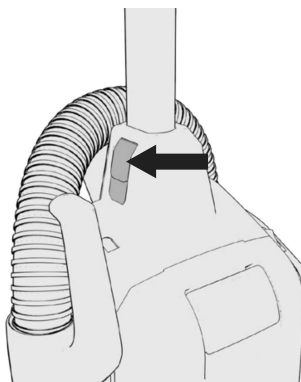
- 4** Presione las herramientas en forma firme dentro del extremo de la manguera. Cuando termine, gire y tire para retirarlas.

Cómo comenzar

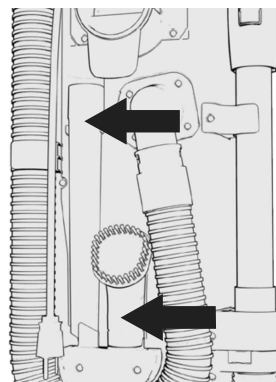
⚠ ADVERTENCIA ⚠ PARA DISMINUIR EL RIESGO DE LESIONES FÍSICAS, DESENCHUFE LA UNIDAD ANTES DE LIMPIARLA O REALIZARLE UN SERVICIO DE MANTENIMIENTO.



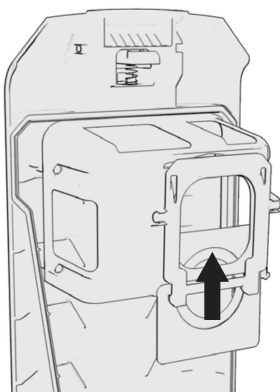
1 Inserte la manija.



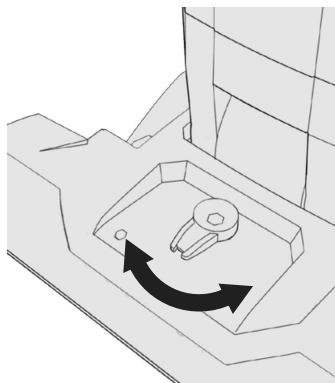
2 Presione la lengüeta para fijar la manija en su lugar.



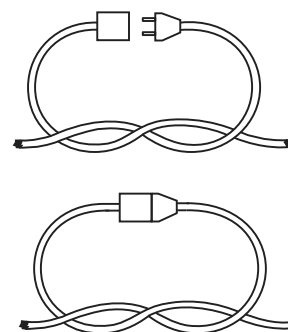
3 Inserte las herramientas accesorias.



4 Verifique para garantizar que la bolsa de filtro esté segura en la puerta de la bolsa.



5 Gire la palanca de ajuste de altura hasta el nivel deseado. Si es difícil empujar la aspiradora, gire la perilla hasta el siguiente ajuste más alto.

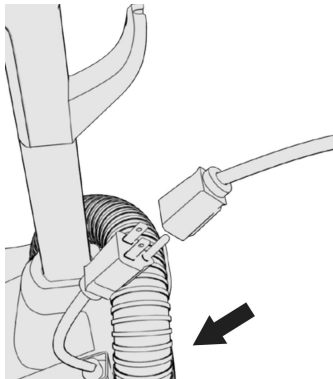


6 Para reducir el riesgo de desconexión del cable del aparato del cable de extensión durante el funcionamiento, haga un nudo como se muestra en la página 53 en la Figura 1.

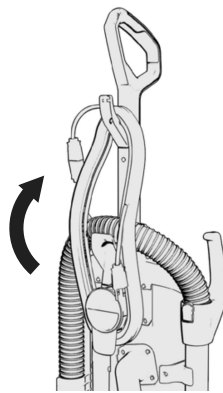


SI NECESITA AYUDA

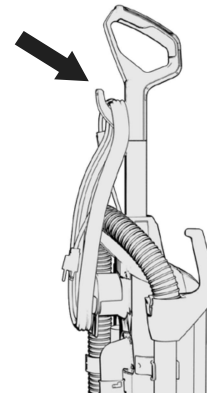
1-800-944-9200 (Lunes a viernes, de 8 a. m. a 7 p. m., Hora Estándar del Este)



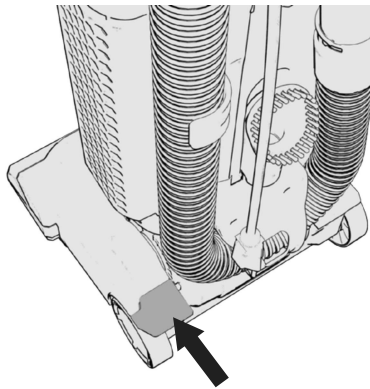
7 Conecte el cable de cambio rápido con el cable de extensión.



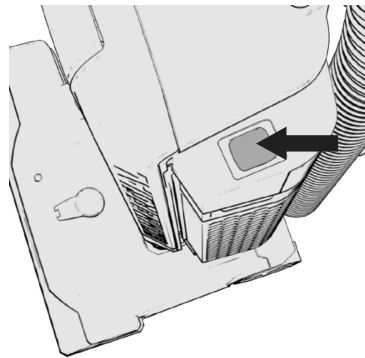
8 Enrolle el cable alrededor de los ganchos para el almacenamiento.



9 O colóquelo sobre el gancho superior para un almacenamiento más cómodo.



10 Presione el pedal de liberación de la manija con el pie y vuelva a tirar de la manija.



11 Encienda la aspiradora presionando el interruptor hacia adelante o atrás para seleccionar el nivel de alimentación deseado.

Presione hacia atrás hasta la posición de encendido (I) para una limpieza normal y menos disruptiva, con menores niveles de decibeles de ruido.

Presione hacia adelante hasta la posición de BOOST (II) (Impulsión) si se desea más potencia, para limpiar los tapetes de las puertas de entrada o las áreas de mayor tráfico.

Apáguela ubicando el interruptor en la posición media (O).

Mantenimiento

Todo otro servicio de mantenimiento deberá ser realizado por personal técnico autorizado. Si el aparato no funciona como debe, si se ha caído, dañado o dejado a la intemperie, o si se ha sumergido en agua, llévelo a un Centro técnico antes de continuar usándolo.

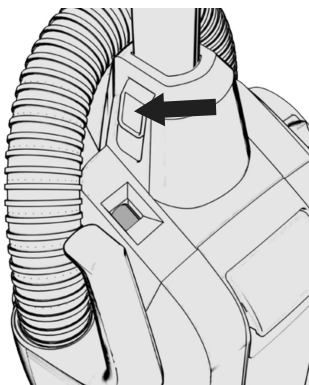
DECLARACIÓN DEL PROTECTOR TÉRMICO

Se ha colocado un protector térmico en la aspiradora para protegerla contra el sobrecalentamiento. Cuando dicho protector se active, la aspiradora dejará de funcionar.

De ser así, proceda como se indica a continuación:

1. APAGUE la aspiradora y desenchúfela del tomacorriente.
2. Verifique el nivel de llenado de la bolsa y cámbiela si es necesario.
3. Inspeccione la vía de aire en busca de obstrucciones. Limpie cualquier obstrucción presente.
4. Una vez que la aspiradora esté desenchufada y el motor se haya enfriado durante 30 minutos, el protector térmico se desactivará y usted podrá retomar la limpieza.

Si el protector térmico continúa activándose luego de haber seguido los pasos anteriores, significa que su aspiradora necesita un servicio de mantenimiento.



Indicador de rendimiento

Alerta al usuario sobre un atascamiento o cuando la bolsa está llena para una limpieza óptima.

Si cambia el color de verde a rojo, verifique las siguientes condiciones:

⚠ ADVERTENCIA ⚠ PARA DISMINUIR EL RIESGO DE LESIONES FÍSICAS, DESENCHUFE LA UNIDAD ANTES DE LIMPIARLA O REALIZARLE UN SERVICIO DE MANTENIMIENTO.

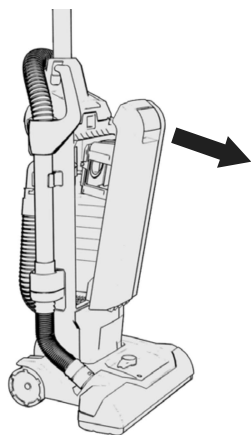
- 1** Verifique la bolsa de filtro. Cámbiela si está llena.

Nota: Cuando utilice la aspiradora para recoger polvo muy fino, como el aserrín o el polvo de mampostería, será necesario reemplazar la bolsa y limpiar los filtros a intervalos más frecuentes para mantener una máxima potencia de limpieza. El polvo fino atasca los poros de la bolsa y reduce la aspiración antes de que se llene la bolsa.

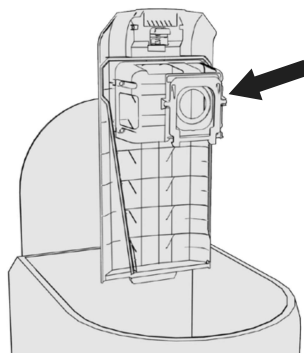
- 2** Revise que no haya obstrucciones en la boquilla, la manguera y la entrada de la bolsa. Elimine todo elemento obstructivo.

Cómo reemplazar la bolsa de filtro

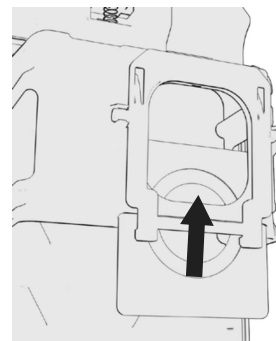
⚠ ADVERTENCIA ⚠ PARA REDUCIR EL RIESGO DE LESIONES FÍSICAS, DESENCHUFE LA UNIDAD ANTES DE LIMPIARLA O REALIZARLE UN SERVICIO DE MANTENIMIENTO.



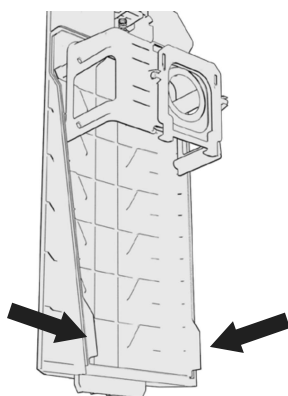
1 Tire del pasador de liberación color naranja para abrir la puerta de la bolsa.



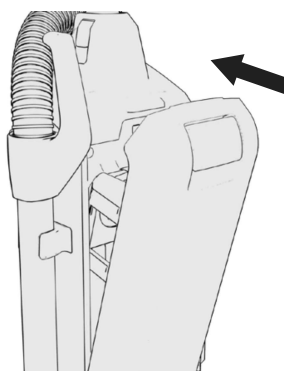
2 Presione el dispositivo color naranja de liberación de la bolsa para desechar la bolsa sin utilizar las manos.



3 Deslice la manga de cartón dentro del soporte de la bolsa hasta que la bolsa esté segura en su lugar.



4 Encaje la bolsa dentro de las lengüetas inferiores.



5 Vuelva a colocar la cubierta delantera y asegúrese de que el pasador encastre en su lugar. Asegúrese de que la bolsa no interfiera con el sello de la puerta.

⚠ IMPORTANTE ⚠ NO LIMPIE LA BOLSA DE FILTRO VIEJA PARA VOLVERLA A UTILIZAR. DESECHE LA BOLSA DE FILTRO VIEJA. NO ASPIRE SIN LA BOLSA DE FILTRO EN SU LUGAR.



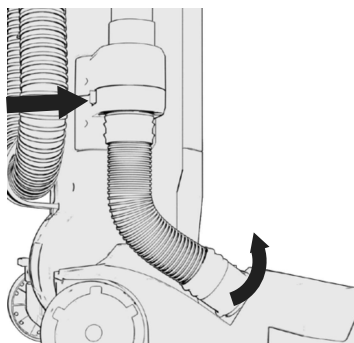
BOLSAS DE REEMPLAZO

Filtración estándar, paquete de 10, N.º de pieza AH10143

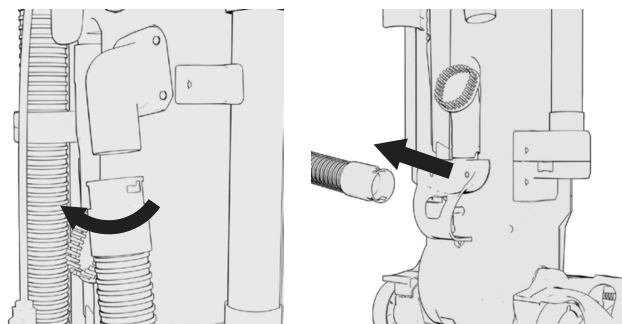
Filtración de alérgenos, paquete de 10, N.º de pieza AH10243

Cómo detectar atascamientos

⚠ ADVERTENCIA ⚠ PARA REDUCIR EL RIESGO DE LESIONES FÍSICAS, DESENCHUFE LA UNIDAD ANTES DE LIMPIARLA O REALIZARLE UN SERVICIO DE MANTENIMIENTO.



- 1** Retire la manguera flexible girando el manguito inferior en sentido contrario a las agujas del reloj y luego presione la lengüeta color naranja del soporte de la varilla trasera. Verifique la entrada de la manguera en busca de obstrucciones.



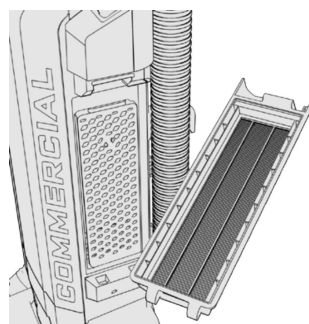
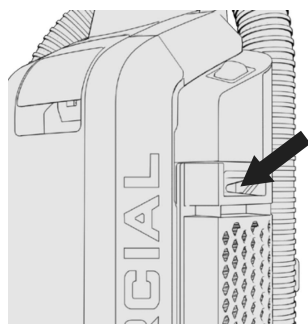
- 2** Retire la manguera trasera girando el manguito superior en el sentido de las agujas del reloj y tirando a través del soporte inferior. Coloque la manguera en forma recta y compruebe que no haya obstrucciones.

Filtros

⚠ ADVERTENCIA ⚠ PARA DISMINUIR EL RIESGO DE LESIONES FÍSICAS, DESENCHUFE LA UNIDAD ANTES DE LIMPIARLA O REALIZARLE UN SERVICIO DE MANTENIMIENTO. NO HAGA FUNCIONAR LA ASPIRADORA SIN EL FILTRO DE ENTRADA NI EL FILTRO FINAL EN SU LUGAR.

Filtro final de medios HEPA

El filtro final ayuda en el proceso de filtración para devolver aire más limpio a la habitación.



1 Para extraerlo, presione la lengüeta hacia abajo y tire del alojamiento del filtro.

2 Levántelo y enjuáguelo a mano con agua fría y presión baja. Enjuague solo con el lado abierto hacia arriba. Deje secar y vuelva a colocarlo en el alojamiento del filtro, presionando en forma firme sobre la lengüeta para que encaje en su lugar.

⚠ IMPORTANTE ⚠ PERMITA QUE EL FILTRO SE SEQUE COMPLETAMENTE ANTES DE VOLVER A COLOCARLO. SEQUE EL FILTRO EN EL BORDE PARA QUE EL AIRE CIRCULE EN AMBOS LADOS DEL FILTRO. ESTO PUEDE DEMORAR HASTA 24 HORAS.



FILTRO DE REEMPLAZO

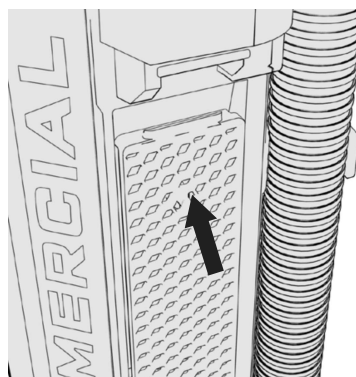
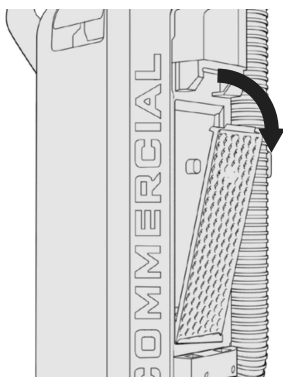
Enjuague el **Filtro final de medios HEPA** cada 2 meses. Verifique el desgaste del medio y reemplace los pliegues si están dañados. Cambie el filtro periódicamente para mantener un máximo rendimiento.

N.º de pieza 440007773

Filtros

⚠ ADVERTENCIA ⚠ PARA DISMINUIR EL RIESGO DE LESIONES FÍSICAS, DESENCHUFE LA ASPIRADORA ANTES DE LIMPIARLA O REALIZARLE UN SERVICIO DE MANTENIMIENTO. NO HAGA FUNCIONAR LA ASPIRADORA SIN EL FILTRO DE ENTRADA NI EL FILTRO FINAL EN SU LUGAR.

Filtro de carbón activado HexaGuard™



1 Tire desde arriba para extraerlo del alojamiento del filtro. No lo enjuague.

2 Para volver a colocarlo, alinee las lengüetas con las aberturas correctas y gire hacia el alojamiento. Asegúrese de presionarlo firmemente en su lugar.



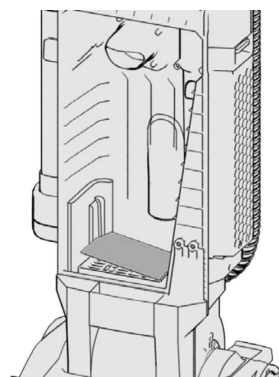
FILTRO DE REEMPLAZO

Reemplace el filtro **HexaGuard™** anualmente para un rendimiento óptimo. N.º de pieza 440007787.

⚠ ADVERTENCIA ⚠ PARA DISMINUIR EL RIESGO DE LESIONES FÍSICAS, DESENCHUFE LA ASPIRADORA ANTES DE LIMPIARLA O REALIZARLE UN SERVICIO DE MANTENIMIENTO. NO HAGA FUNCIONAR LA ASPIRADORA SIN EL FILTRO DE ENTRADA NI EL FILTRO FINAL EN SU LUGAR.

Filtro de entrada

El filtro de entrada protege al motor contra los daños.



- 1** Si el filtro se ensucia, tire de la parrilla y extraiga el filtro. Enjuáguelo a mano con agua fría y baja presión. Deje secar el filtro durante 24 horas. Vuelva a colocar el filtro seco y encaje la parrilla en su lugar.



FILTRO DE REEMPLAZO

Reemplace el **filtro de entrada** cada 6 meses para mantener la aspiradora funcionando a rendimiento pico.

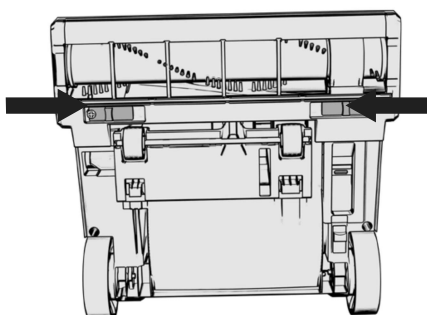
N.º de pieza 440007774

Extracción del cepillo giratorio y la correa

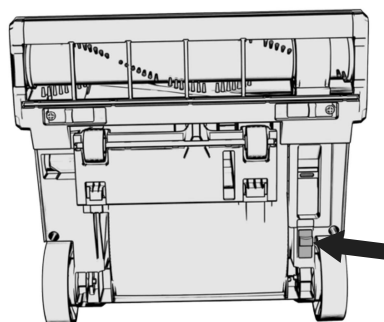
Lubricación

El motor y el cepillo giratorio vienen equipados con cojinetes de suficiente lubricación para toda su vida útil. La adición de lubricante podría dañarlos. No agregue lubricante al motor ni al cepillo giratorio.

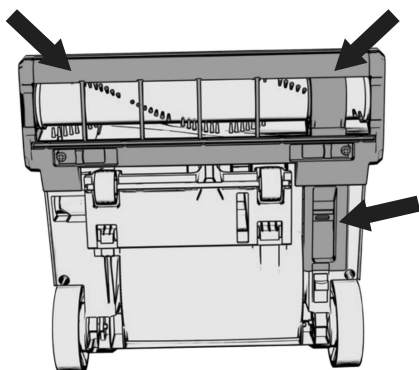
⚠ PRECAUCIÓN ⚠ PARA REDUCIR EL RIESGO DE LESIÓN DERIVADO DE LAS PIEZAS MÓVILES, DESCONECTE EL APARATO ANTES DE REALIZARLE EL SERVICIO DE MANTENIMIENTO.



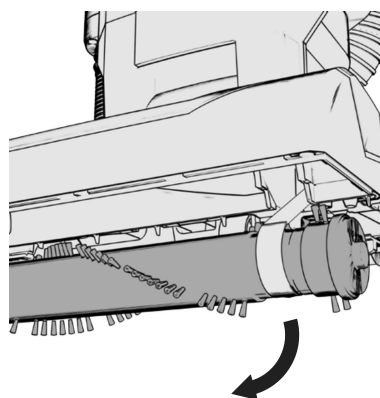
1 Deslice las lengüetas naranjas hacia el centro.



2 Deslice la lengüeta trasera hacia atrás, a la posición de desbloqueo.

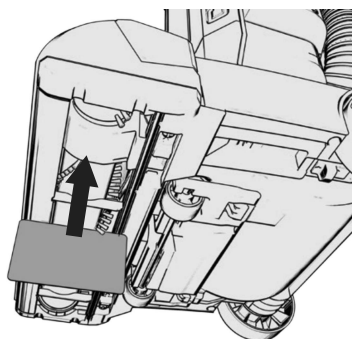


3 Extraiga la placa inferior.



4 Gire el cepillo giratorio hacia afuera. Luego, extraiga la correa rota o desgastada y reemplácela. Asegúrese de que la correa esté centrada en el eje del motor y que se apoye correctamente en las ranuras del cepillo giratorio, antes de colocarla nuevamente en la unidad.

⚠ PRECAUCIÓN ⚠ PARA REDUCIR EL RIESGO DE LESIÓN DERIVADO DE LAS PIEZAS MÓVILES, DESCONECTE EL APARATO ANTES DE REALIZARLE EL SERVICIO DE MANTENIMIENTO.



- 5** Revise el cepillo giratorio en busca de desgaste utilizando una tarjeta comercial o una tarjeta de crédito. Si la tarjeta no toca las cerdas, reemplace el cepillo giratorio.

Todo otro servicio de mantenimiento deberá ser realizado por personal técnico autorizado. Si el aparato no funciona como debe, si se ha caído, dañado, dejado a la intemperie o si se ha sumergido en agua, llévelo a un Centro técnico antes de continuar usándolo.



CEPILLO GIRATORIO DE REEMPLAZO

CH54013 N.º de pieza 440007800

CH54015 N.º de pieza 440007801

CH54113 (con IntelliBelt) N.º de pieza 44000802

CH54115 (con IntelliBelt) N.º de pieza 44000803

CORREA DE REEMPLAZO

CH54013/CH54015 N.º de pieza 38528058

CH54113/CH54115 (con IntelliBelt) N.º de pieza 440007804

Resolución de problemas

⚠ ADVERTENCIA ⚠ PARA DISMINUIR EL RIESGO DE LESIONES FÍSICAS, DESENCHUFE LA UNIDAD ANTES DE LIMPIARLA O REALIZARLE UN SERVICIO DE MANTENIMIENTO.

Todo otro servicio de mantenimiento deberá ser realizado por personal técnico autorizado. Si el aparato no funciona como debe, si se ha caído, dañado, dejado a la intemperie o si se ha sumergido en agua, llévelo a un Centro técnico antes de continuar usándolo.

Problema	Causa posible	Solución posible
La aspiradora no funciona	1. El cable de alimentación no está enchufado con firmeza en el tomacorriente.	1. Enchúfelo firmemente.
	2. Fusible quemado o disyuntor activado.	2. Verifique el fusible o el disyuntor. Reemplace el fusible o reinicie el disyuntor.
	3. Protector térmico activado.	3. Desenchufe la aspiradora y déjela enfriar durante 30 minutos (Esto restablecerá el protector térmico).
El indicador de comprobación de bolsa está en color rojo O la aspiradora no recoge suciedad O la aspiración es baja	1. Bolsa de filtro llena y/o atascada.	1. Vacíe la bolsa de filtro - Pág. 15
	2. Correa rota o desgastada.	2. Reemplace la correa - Pág. 20
	3. Cepillo giratorio y/o manguera atascados.	3. Verifique la manguera - Pág. 16 Verifique el cepillo giratorio - Pág. 20-21
	4. El ajuste de altura de la alfombra es incorrecto.	4. Establezca el ajuste de altura de la alfombra al valor adecuado para la alfombra que se limpiará - Pág. 12
Los residuos se salen de la aspiradora.	1. Bolsa de filtro llena.	1. Vacíe la bolsa de filtro - Pág. 15
	2. La bolsa de filtro no está instalada correctamente.	2. Repase la sección de extracción y reemplazo de la bolsa de filtro - Pág. 15
	3. La manguera no está colocada correctamente.	3. Revise la sección de colocación de la manguera.
Es difícil empujar la aspiradora o la aspiradora no avanza	1. El ajuste de altura de la alfombra es incorrecto.	1. Establezca la perilla de ajuste de altura de la alfombra al valor adecuado para la alfombra que se limpiará - Pág. 12
	2. La placa inferior no está instalada correctamente.	2. Consulte la Pág. 20
Se detecta olor a humo/quemadura	1. Correa rota o estirada.	1. Reemplace la correa del cepillo giratorio - Pág. 20
	2. El cepillo giratorio está obstruido.	2. Limpie/retire la suciedad del cepillo giratorio - Pág. 20-21

Garantía

GARANTÍA LIMITADA DE 2 AÑOS

COBERTURA DE LA GARANTÍA

En casos de uso y mantenimiento comercial en condiciones normales y conforme al Manual del usuario, su producto HOOVER® Commercial tiene garantía contra fallas de fábrica en los materiales y fallas por mano de obra por un periodo completo de dos años desde la fecha de compra (en adelante, el "Plazo de la garantía"). Durante el Plazo de la garantía, como se describe en esta Garantía, HOOVER® le proporcionará la mano de obra y los repuestos, sin ningún costo, a los fines de reparar cualquier falla de productos adquiridos en los Estados Unidos, Tiendas de intercambios militares de los EE. UU., y Canadá.

CÓMO REALIZAR UN RECLAMO POR LA GARANTÍA

Si este producto no presentara las características garantizadas, llévelo o envíelo a un Distribuidor Técnico Oficial autorizado de Hoover® junto con el comprobante de compra. Para ser redirigido en forma automática a un Centro de servicios autorizado, llame al: 1-800-944-9200 O visite HOOVER® Commercial en línea en www.hoovercommercial.com (clientes de EE. UU.) o www.hoover.ca (clientes de Canadá). Para obtener asistencia adicional o información relacionada con esta Garantía o con la disponibilidad de los Centros de servicios autorizados de garantía, llame al 1-800-944-9200, de lunes a viernes de 8 a. m. a 7 p. m., Hora Estándar del Este. En Canadá, llame al 1-800-263-6376, de lunes a viernes de 8 a. m. a 7 p. m., Hora Estándar del Este.

NO CUBIERTO POR LA PRESENTE GARANTÍA

Algunas piezas de su producto HOOVER® Commercial requieren reemplazo durante el curso periódico del uso debido al desgaste normal. Entre ellas se incluyen las correas, las mangas del rodillo del agitador, los cojinetes del agitador, los cepillos, las bolsas, los filtros y las bombillas. Esta Garantía no cubre estas piezas.

La presente Garantía tampoco cubre: mantenimiento inadecuado del producto, daños debido al uso incorrecto, actos de Dios o naturales, vandalismo u otros actos que estén más allá del control de HOOVER®, actos u omisiones del propietario, uso fuera del país en donde se compró el producto originalmente, reventa del producto por parte del propietario original, defectos o daños causados por reparaciones o modificaciones que no hayan sido llevadas a cabo por un distribuidor de servicios de garantía autorizado de HOOVER®. HOOVER®, Inc. se reserva el derecho de inspeccionar todos los productos considerados defectuosos y de tomar decisiones finales sobre cualquier reclamo de garantía. Esta garantía no cubre la recolección, la entrega, el transporte ni el servicio a domicilio del producto. No obstante, si envía el producto por correo postal al Distribuidor de servicios de garantía autorizado de HOOVER® para obtener el servicio de la garantía, el envío tendrá un costo de ida solamente.

OTROS TÉRMINOS IMPORTANTES

Esta garantía no es transferible y no podrá ser cedida. Esta garantía se regirá e interpretará de conformidad con las leyes del Estado de Ohio. El Plazo de la garantía no se prolongará por ningún reemplazo o reparación realizados conforme a la garantía.

ESTA GARANTÍA REPRESENTA LA GARANTÍA Y EL RECURSO LEGAL EXCLUSIVOS, PROPORCIONADOS POR HOOVER®. TODAS LAS DEMÁS GARANTÍAS, EXPRESAS O IMPLÍCITAS, SERÁN RECHAZADAS, INCLUIDAS LAS GARANTÍAS DE APTITUD PARA LA VENTA O ADECUACIÓN A FINES ESPECÍFICOS. EN NINGÚN SUPUESTO HOOVER® SERÁ RESPONSABLE POR DAÑOS ESPECIALES, INDIRECTOS, INCIDENTALES O EMERGENTES DE NINGUNA CLASE RECLAMADOS POR EL PROPIETARIO O CUALQUIER PARTE POR INTERMEDIO DE ESTE, YA SEA EN VIRTUD DE UN CONTRATO, POR NEGLIGENCIA, HECHO ILÍCITO CIVIL O RESPONSABILIDAD OBJETIVA, NI POR CUALQUIER OTRA CAUSA. En algunos estados, la exclusión de los daños mediatos no está permitida, de modo que la exclusión precedente puede no serle aplicable. Esta garantía le otorga derechos específicos. También puede tener otros derechos, que varían según el estado.



COMMERCIAL

HooverCommercial.com

©2015 Techtronic Floor Care Technology Limited. #961A00017 ID114941