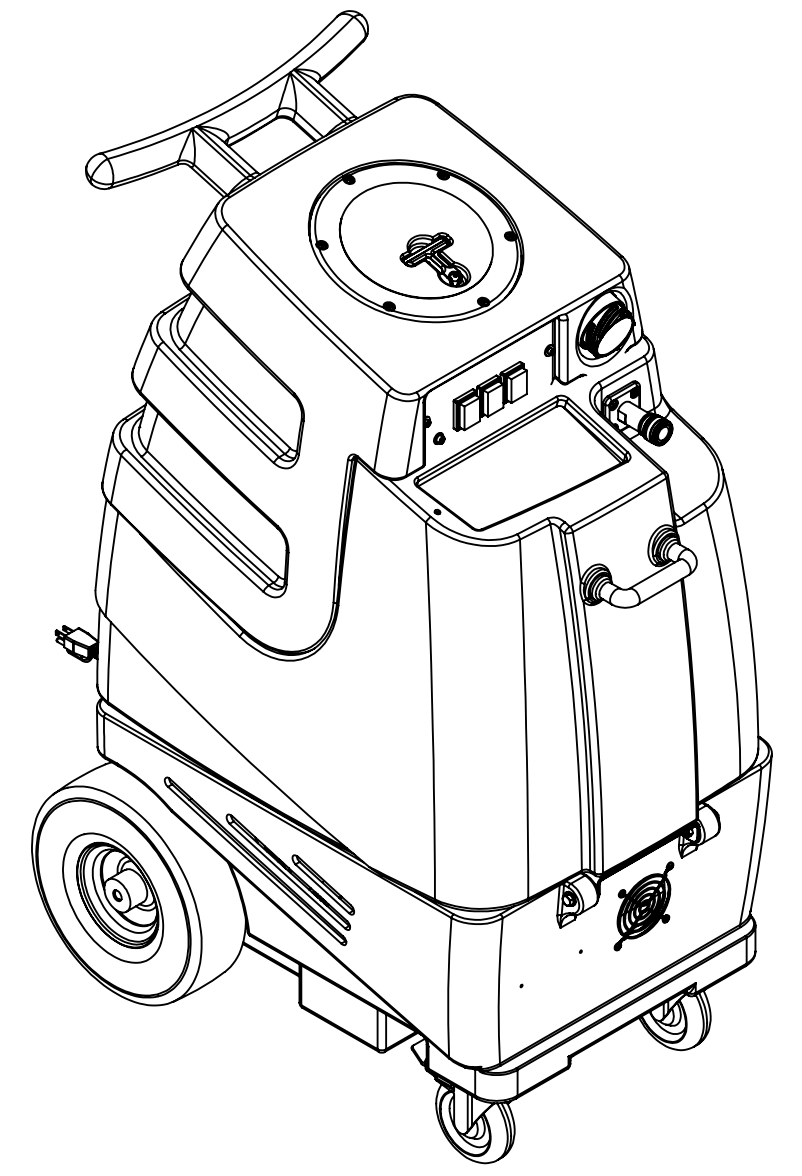


ITEM NO.	PART NO.	DESCRIPTION	Web/QTY.
1	H296	guard, cooling fan, wire	2
2	H304	screw, #8 x 5/8 phil oval, s/s	14
3	H216	nut, lock, 1/4-20, nylon insert, s/s	10
4	H210	washer, 1/4" flat, s/s	19
5	H342	bolt, 1/4-20 x 1" hex head, s/s	8
6	H668	caster, 4", black hub & gray tread	2
7	H254	washer, axle, cut 1/2" id	10
8	H109	wheel, 10", foam filled	2
9	H042	c-clip, 12mm, external	2
10	H371	axle, 18.03" x .50" dia	1
11	H256	screw, 10-32 x 3/4" phil pan head	6
12	H273	nut, kep, #10-32 zinc	8
13	H528	bracket, heater mounting, dual	1
14	A907	heater, 1200wt, 115v	1
15	AH106	sol hose, 1/4" x 10", 1/4" msw x 1/4" fpt	1
16	B108	valve, brass, 1/4" check	1
17	B207	elbow, brass, 90 deg, 1/4" fpt x 1/4" fpt	1
18	B541	valve, relief, 250 psi	1
19	B109	barb, 1/4" barb x 1/4" mpt	1
20	B170	ferrule, 1/4" brass	2
21	PH634-27	sol hose, 1/4", silicone braided, clear	1
22	B110	adapter, brass, 1/4" sw barb x 1/4" fpt, w/gasket	1
23	B113	tee, 1/4" fpt x 1/4" fpt x 1/4" fpt	1
24	H221	nut, lock, 1/2" steel, electrical	1
25	H220	fitting, strain relief, cord	1
26	E531	power cord, end, 25', 12/3 black	1
27	P731	base	1
28	C305	pump, 120 psi, 115V	1
29	H347	clamp, hose, 5/16-29/32	2
30	PH615K-36	sol hose, 1/2", polywire reinforced	1
31	B160	adapter, brass, 1/2" barb x 3/8" fsw, ball end	1
32	B186	elbow, 90 deg street, 3/8"mpt x 3/8" fmpt	1
33	H299	washer, 1 1/16" id x 1-1/2" od x .075, s/s	3
34	B212	elbow, 90 deg, 3/8"mpt x 1/4" fpt	1
35	B260A	quick disconnect, 1/4" mqd x mpt, open-spray	1
36	B259A	qd, brass, 1/4" fqd x fpt	1
37	H222	screw, 10-32 x 1-1/4", phil pan head, s/s	4
38	B172	elbow, brass, 90 deg, 1/2" barb x 3/8"mpt	1
39	H912	bracket, rear, fb/spy	1
40	H770	bolt, 1/4-20 x 1/2" serrated hex flange, zinc	8
41	H307	washer, star, 1/4" steel zinc	2
42	H217	clamp, hose, 2-1/4 dia	2
43	PH628-8	vac hose, 2", wire reinforced	1
44	H124V	CUFF-LYNX, 2" female cuff X 2" male thread starter cuff	1
45	H194	coupler, 2" dia x 3" length, s/s	1
46	P634	plug, 2", 4 clips, exhaust port	1
47	H203	bolt, 1/4-20 x 1-1/4"	2
48	H211	washer, 1/4" id x 1" od, flat, s/s	6
49	G052	washer, buna 1-1/8" od x 3/16" id	6
50	H213	washer, 1/4" lock, s/s	7
51	H215	nut, hex, 1/4-20 s/s	2
52	G018	cover, sol tank (sp)	1
53	P732	sol tank, speedster	1
54	H768	bolt, 1/4-20 x 3/4" serrated hex flange, zinc	2
55	H485	handle, aluminum grip, black	1
56	AH206	sol hose, 1/4" x 48", 1/4 msw x 1/4 mpt	1
57	H484	plate, mounting, QD	1
58	B102	quick disconnect, 1/4" fqd x 1/4" fpt	1
59	H201	bolt, 1/4-20 x 1/2", hex head, zinc	2
60	H378	bracket, front hinge, sp/fb	1
61	H316	bolt, 1/4x1-1/2", hex head zinc	2
62	B103	elbow, 90 deg street, 1/4"mpt x 1/4" fpt	1

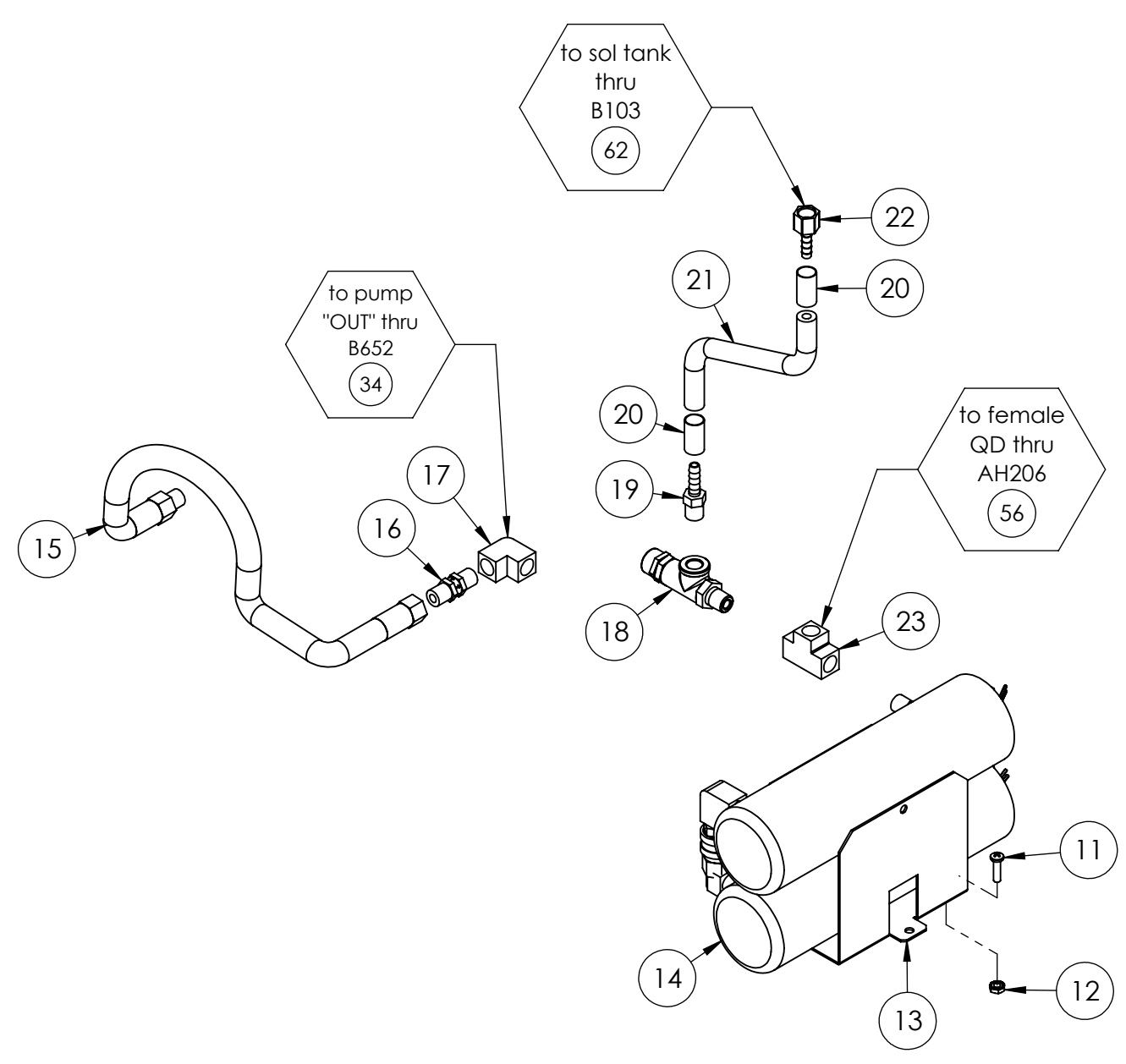
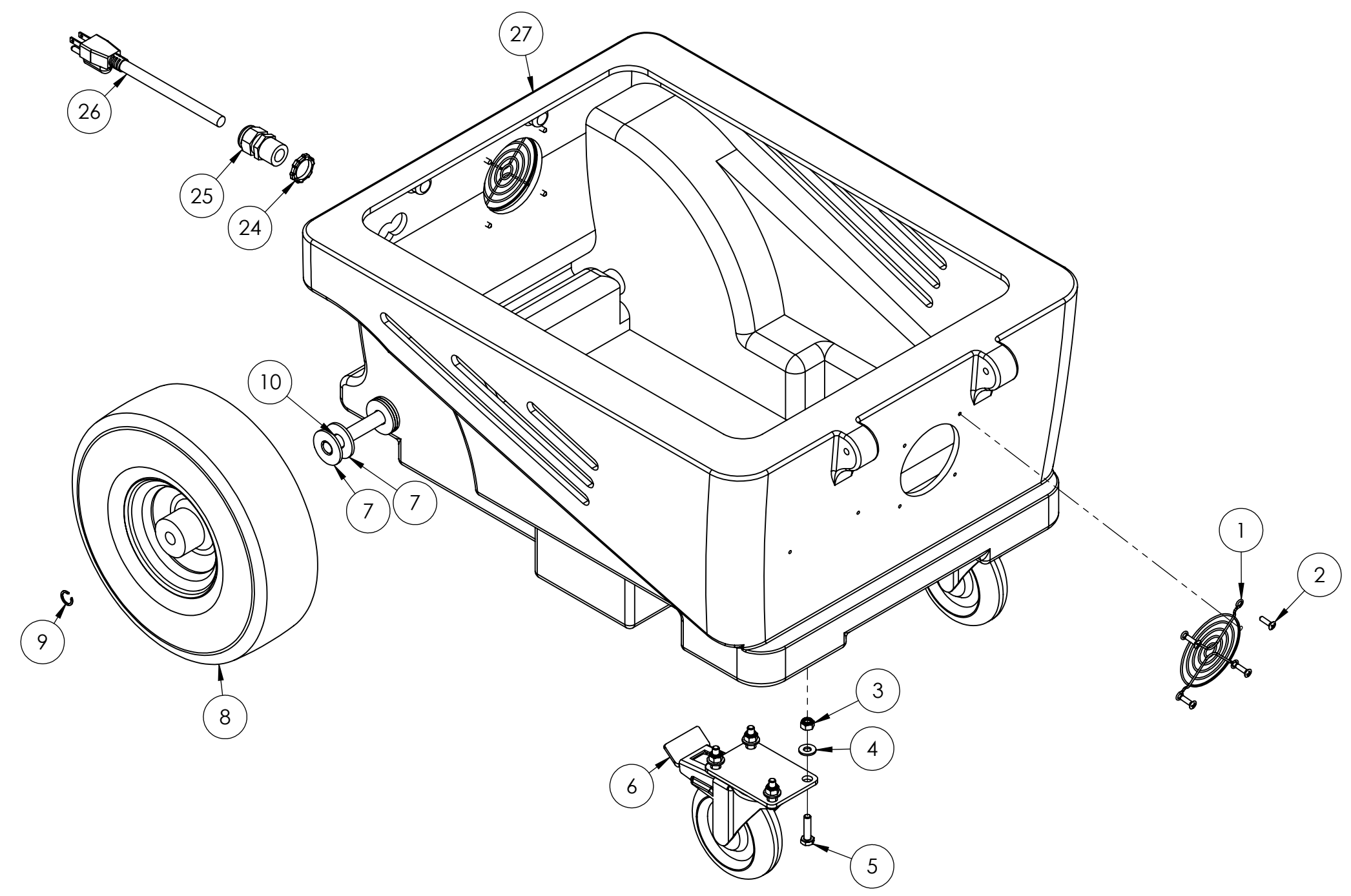
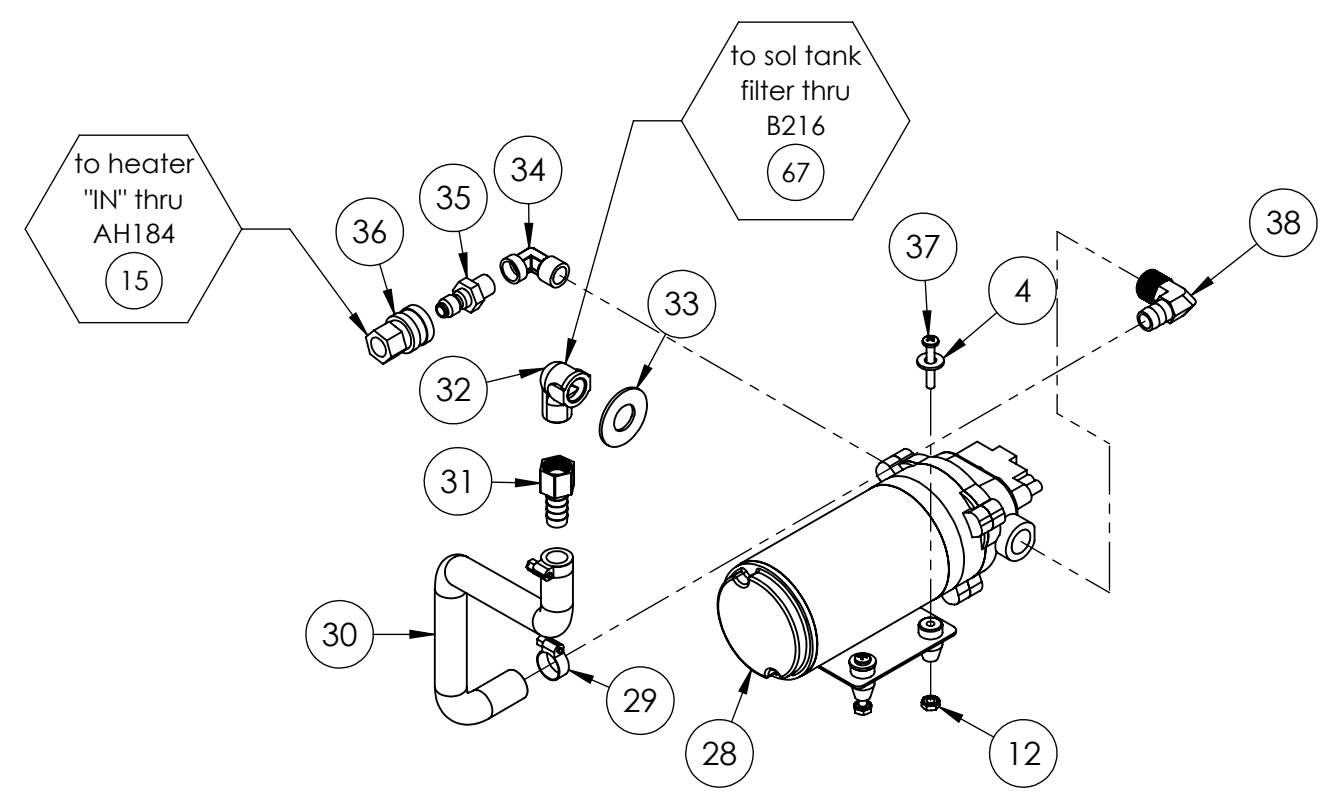
ITEM NO.	PART NO.	DESCRIPTION	Web/QTY.
63	H212	flat washer, 9/16"ID x 1 1/16"OD, AN960-C916	3
64	B107	nipple, hex, 1/4"mpt x 1/4"mpt	1
65	B119A	filter, strainer, 1/2" fpt	1
66	B210	bushing, brass, 1/2"mpt x 3/8" fpt, hex	1
67	B216	nipple, brass, 3/8" x close	1
68	H225	valve, drain, 1-1/2"	1
69	P733	vac tank, speedster	1
70	A926	elbow, inlet assembly 2"	1
71	P520	adapter, 1.5" mpt pvc	1
72	PH633-2	pipe, pvc, 1-1/2"	2
73	P503	adapter, 1.5" pvc, 45 deg, fslip	2
74	PH633-7	pipe, pvc, 1-1/2"	1
75	P502	adapter, 1.5" pvc, fslip x fslip	1
76	G097	filter, screen mesh, 1.90" dia	1
77	G022	filter, foam, 2.50" x .50"	1
78	H314	nut, lock, 1-1/2", steel	1
79	G090	lid, vac tank, clear, 7"	1
80	G091	gasket, 7", vac lid	1
81	H135D	Cuff-Lynx, 2" male cuff x 2" mpt, vinyl	1
82	H338	plate, switch, sp, 3 hole	1
83	H289B	washer, 10 flat, black	3
84	H246	screw, 8-32 x 3/8" SHCS, alloy, Black	2
85	E515	switch, rocker, 2 position	3
86	H389	screw, 10-32 x 1/2" SHCS, alloy	1
87	G004	gasket, vacuum motor	1
88	H503	vac support, 3 stage, 3.25", no thrds	3
89	H390A	bracket, "L", 2" x 2"	2
90	H096	bolt, hex, 1/4-20 x 4", zinc finish	3
91	H343	screw, 10 x 5/8" hex head, zinc	1
92	C302LA	vac motor, 3 stage, low amp	1

ITEMS NOT SHOWN

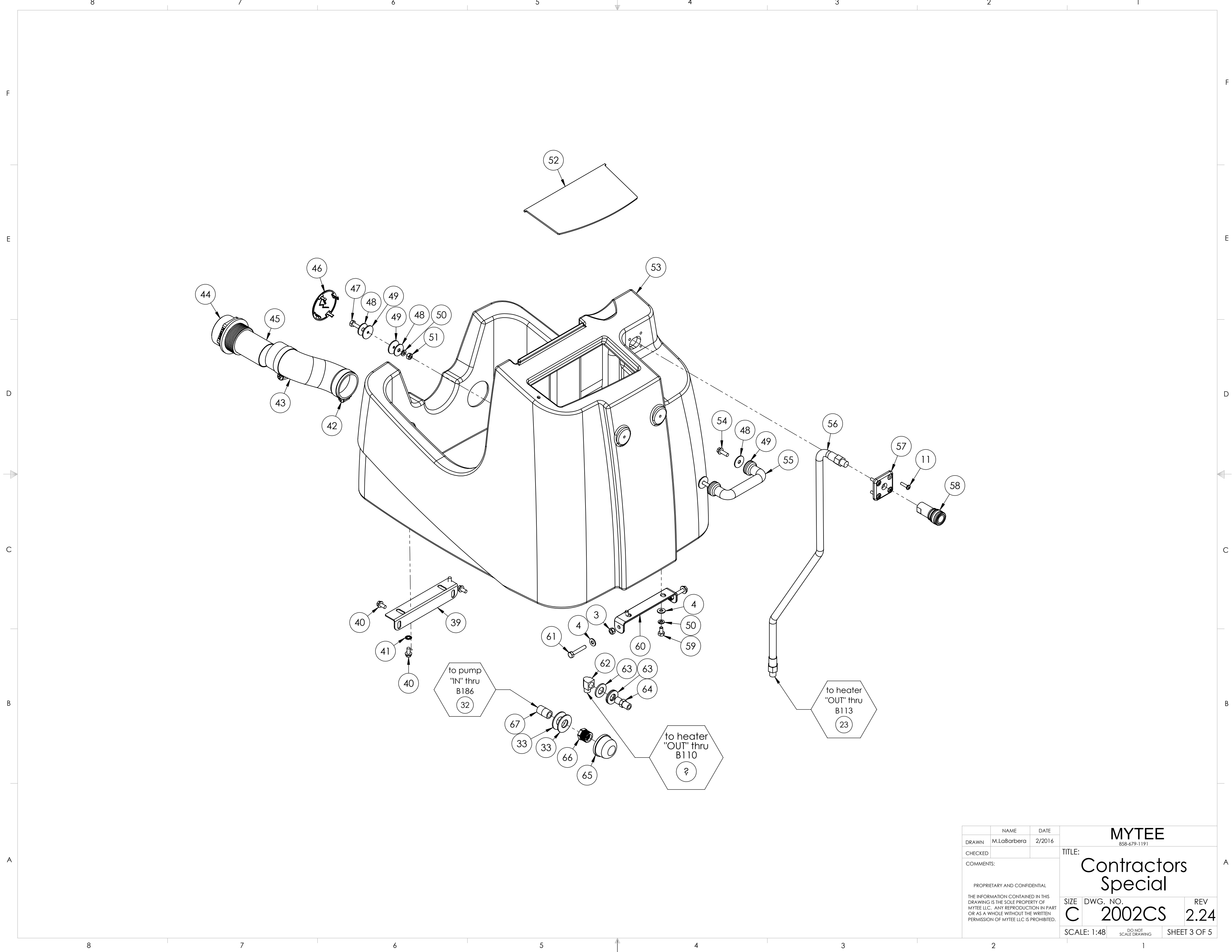
PART NO.	DESCRIPTION	QTY.
8300-EZ	wand, EZ glider 12", dual jet, "S" bend	1
8500	hose assem, vac/sol, 15' x 1.5"	1
E999	harness, electrical, HP120	1
H141V	Cuff-Lynx, 2" fem cuff x 1.5" fem vac hose, vinyl	1
H226	spout, drain, 45 degree	1
P590	cuties, 1/4" qd, standard pack of 2	1



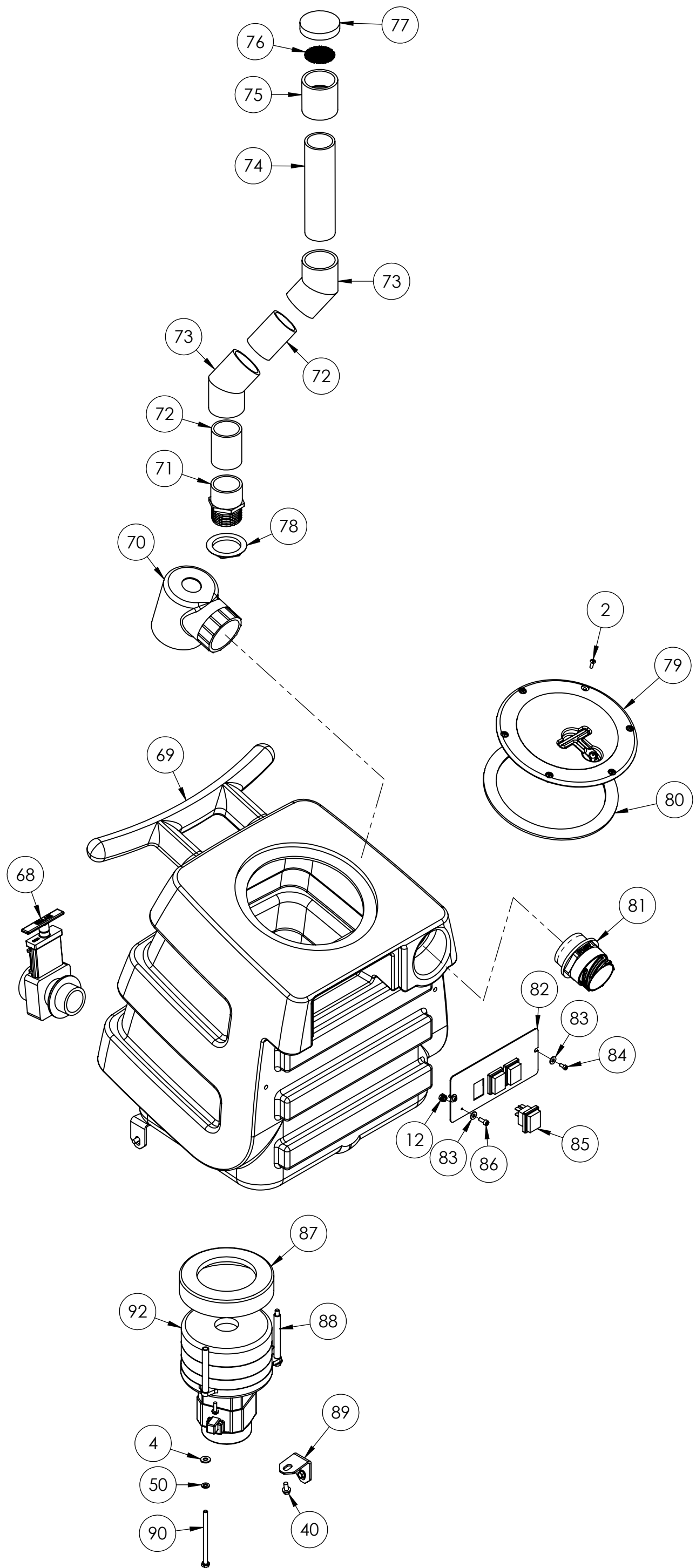
NAME		DATE		MYTEE 858-679-1191		
DRAWN M.LaBarbera		2/2016				
CHECKED				TITLE: Contractors Special		
COMMENTS:						
PROPRIETARY AND CONFIDENTIAL THE INFORMATION CONTAINED IN THIS DRAWING IS THE SOLE PROPERTY OF MYTEE LLC. ANY REPRODUCTION IN PART OR AS A WHOLE WITHOUT THE WRITTEN PERMISSION OF MYTEE LLC IS PROHIBITED.				SIZE C	DWG. NO. 2002CS	REV 2.24
SCALE: 1:48		DO NOT SCALE DRAWING		SHEET 1 OF 5		



	NAME	DATE	MYTEE	
DRAWN	M.LaBarbera	2/2016	858-679-1191	
CHECKED			TITLE: Contractors Special	
COMMENTS:	PROPRIETARY AND CONFIDENTIAL		SIZE	DWG. NO.
THE INFORMATION CONTAINED IN THIS DRAWING IS THE SOLE PROPERTY OF MYTEE LLC. ANY REPRODUCTION IN PART OR AS A WHOLE WITHOUT THE WRITTEN PERMISSION OF MYTEE LLC IS PROHIBITED.			C	2002CS
			SCALE: 1:48	REV 2.24
			DO NOT SCALE DRAWING	SHEET 2 OF 5

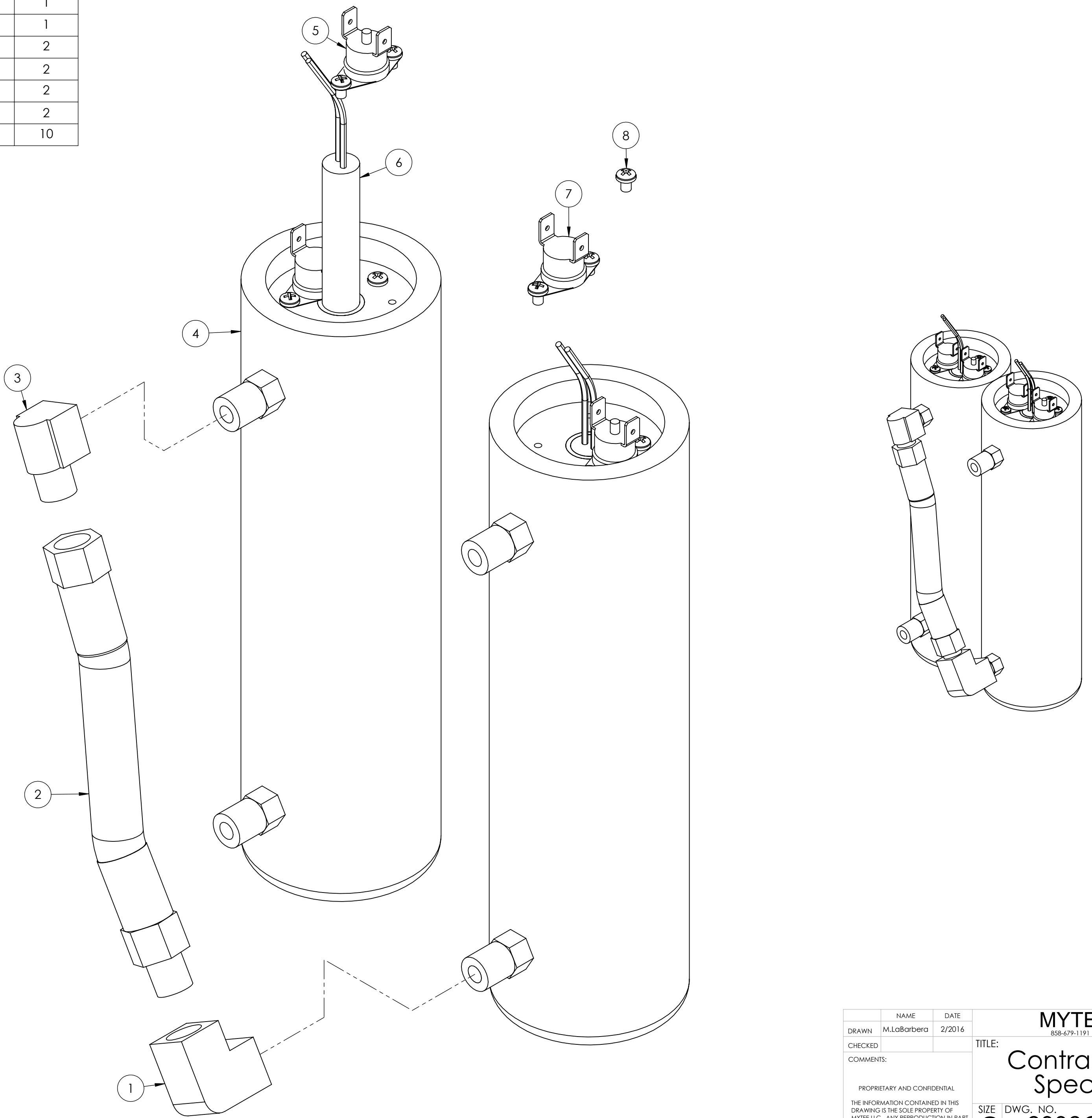


	NAME	DATE	MYTEE 858-679-1191		
DRAWN	M.LaBarbera	2/2016			
CHECKED			TITLE: Contractors Special		
COMMENTS:					
<small>PROPRIETARY AND CONFIDENTIAL THE INFORMATION CONTAINED IN THIS DRAWING IS THE SOLE PROPERTY OF MYTEE LLC. ANY REPRODUCTION IN PART OR AS A WHOLE WITHOUT THE WRITTEN PERMISSION OF MYTEE LLC IS PROHIBITED.</small>			SIZE C	DWG. NO. 2002CS	REV 2.24
SCALE: 1:48			DO NOT SCALE DRAWING	SHEET 3 OF 5	



	NAME	DATE	MYTEE	
DRAWN	M.LaBarbera	2/2016	858-679-1191	
CHECKED			TITLE:	
COMMENTS:			Contractors Special	
<small>PROPRIETARY AND CONFIDENTIAL THE INFORMATION CONTAINED IN THIS DRAWING IS THE SOLE PROPERTY OF MYTEE LLC. ANY REPRODUCTION IN PART OR AS A WHOLE WITHOUT THE WRITTEN PERMISSION OF MYTEE LLC IS PROHIBITED.</small>			SIZE	REV
			C	2.24
			SCALE: 1:48	SHEET 4 OF 5

ITEM NO.	PART NO.	DESCRIPTION	QTY.
1	B207	elbow, brass, 90 deg, 1/4" fpt x 1/4" fpt	1
2	AH156	hose, 3/8", (OAL), f x fs, 5400 gray	1
3	B103	elbow, 90 deg street, 1/4"mpt x 1/4" fpt	1
4	H903A	heater, aluminum cast, single	2
5	E574	Thermostat, 310°F ± 10°F, Manual, 1/4"	2
6	E571	heating rod, 600W, 115V	2
7	E573	Thermostat, 200°, Auto, 1/4"	2
8	H274	screw, 6 x 3/16, phil pan head, self-tapping	10



	NAME	DATE	MYTEE 858-679-1191		
DRAWN	M.LaBarbera	2/2016			
CHECKED			TITLE: Contractors Special		
COMMENTS:					
<small>PROPRIETARY AND CONFIDENTIAL THE INFORMATION CONTAINED IN THIS DRAWING IS THE SOLE PROPERTY OF MYTEE LLC. ANY REPRODUCTION IN PART OR AS A WHOLE WITHOUT THE WRITTEN PERMISSION OF MYTEE LLC IS PROHIBITED.</small>			SIZE C	DWG. NO. 2002CS	REV 2.24
			SCALE: 2:2	DO NOT SCALE DRAWING	SHEET 5 OF 5